

US00D520437S

(12) **United States Design Patent**
Scheu

(10) **Patent No.:** **US D520,437 S**

(45) **Date of Patent:** **** May 9, 2006**

(54) **FRONT FACE OF A VEHICLE WHEEL**

(75) Inventor: **Armin Scheu**, Stuttgart (DE)

(73) Assignee: **DaimlerChrysler AG**, Stuttgart (DE)

(**) Term: **14 Years**

(21) Appl. No.: **29/239,458**

(22) Filed: **Sep. 30, 2005**

(30) **Foreign Application Priority Data**

Apr. 6, 2005 (DE) 40501868

(51) **LOC (8) Cl.** **12-16**

(52) **U.S. Cl.** **D12/211**

(58) **Field of Classification Search** D12/204-213;
301/37.101, 64.101, 65

See application file for complete search history.

(56) **References Cited**

U.S. PATENT DOCUMENTS

D208,542 S	*	9/1967	Halibrand	D12/211
D450,289 S	*	11/2001	Chung	D12/211
D454,107 S	*	3/2002	Chung	D12/211
D455,703 S	*	4/2002	Foose	D12/211

D459,691 S	*	7/2002	Takechi	D12/211
D466,069 S	*	11/2002	Kataoka	D12/211
D475,961 S	*	6/2003	Pfeiffer et al.	D12/211
D480,347 S	*	10/2003	Nemoto	D12/211
D504,102 S	*	4/2005	Cheng	D12/211
D505,102 S	*	5/2005	Cahyono	D12/209
D506,173 S	*	6/2005	Pfeiffer	D12/211

* cited by examiner

Primary Examiner—Stacia Cadmus

(74) *Attorney, Agent, or Firm*—Crowell & Moring LLP

(57) **CLAIM**

The ornamental design for a front face of a vehicle wheel, as shown and described.

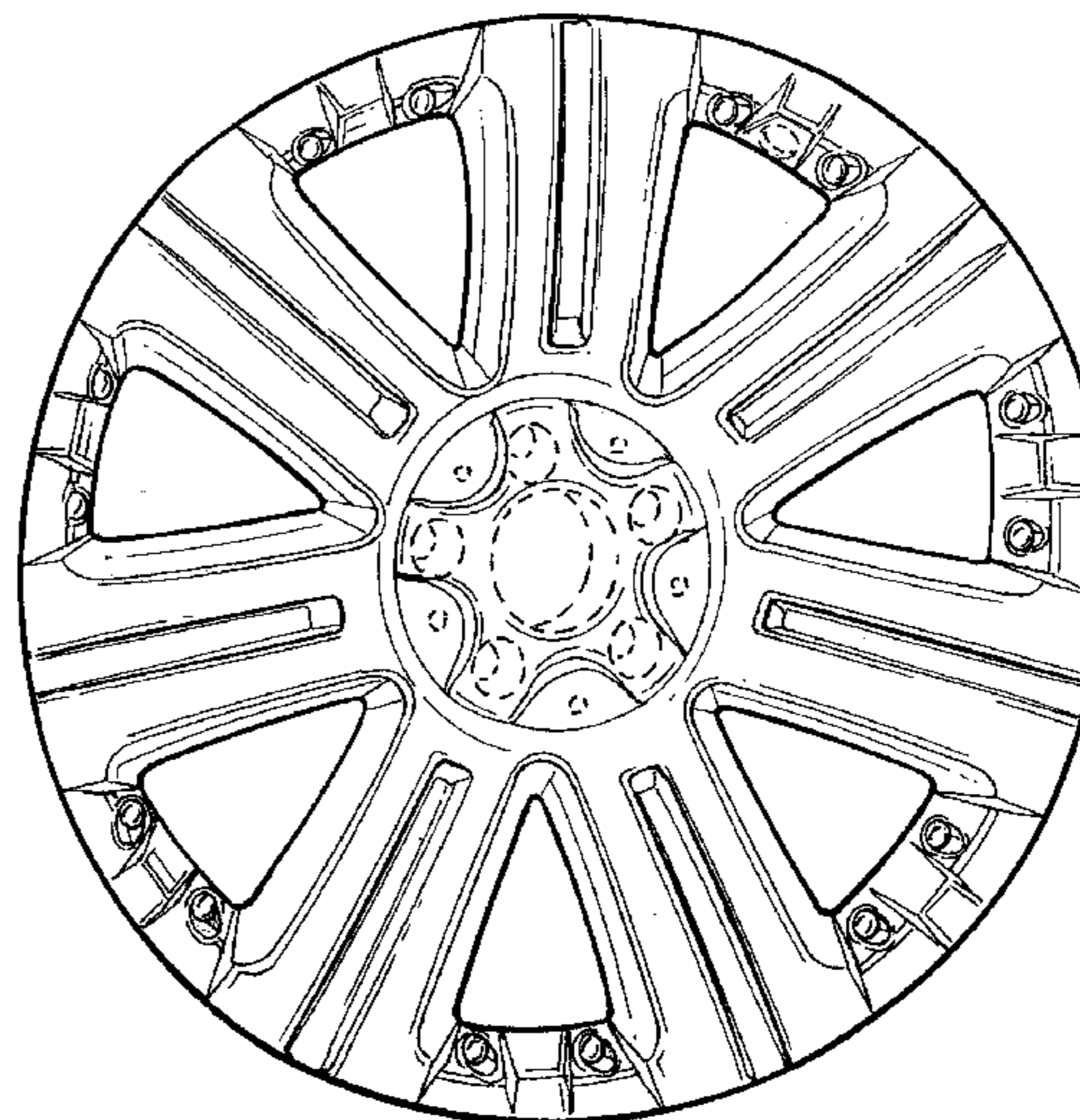
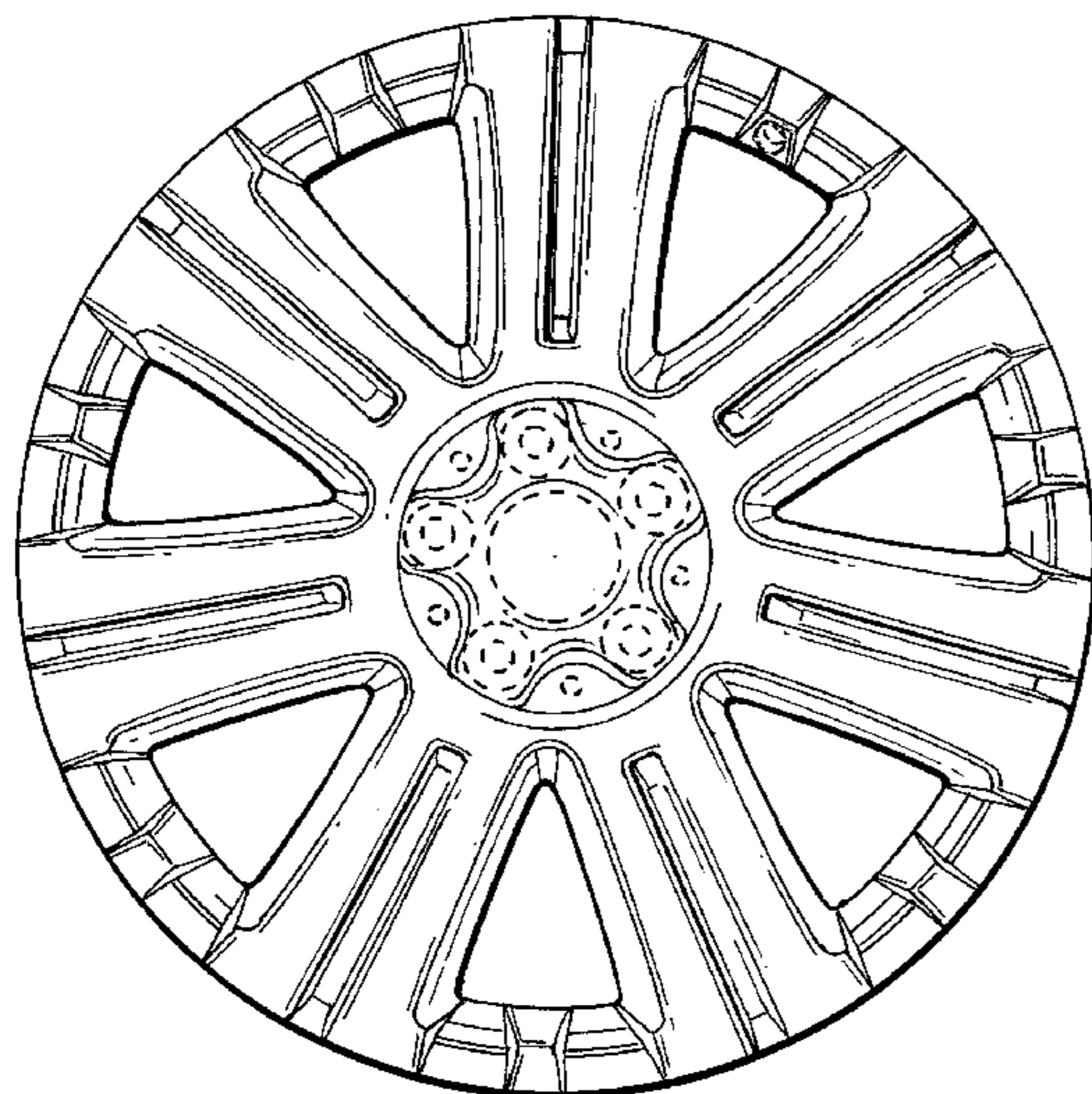
DESCRIPTION

FIG. 1 is a front view of a first embodiment of a front face of a vehicle wheel according to my novel design; and FIG. 2 is a perspective view thereof.

FIG. 3 is a front view of a second embodiment of the front face of a vehicle wheel according to my novel design; and, FIG. 4 is a perspective view thereof.

The broken lines are for illustrative purposes only and form no part of the claimed design.

1 Claim, 2 Drawing Sheets



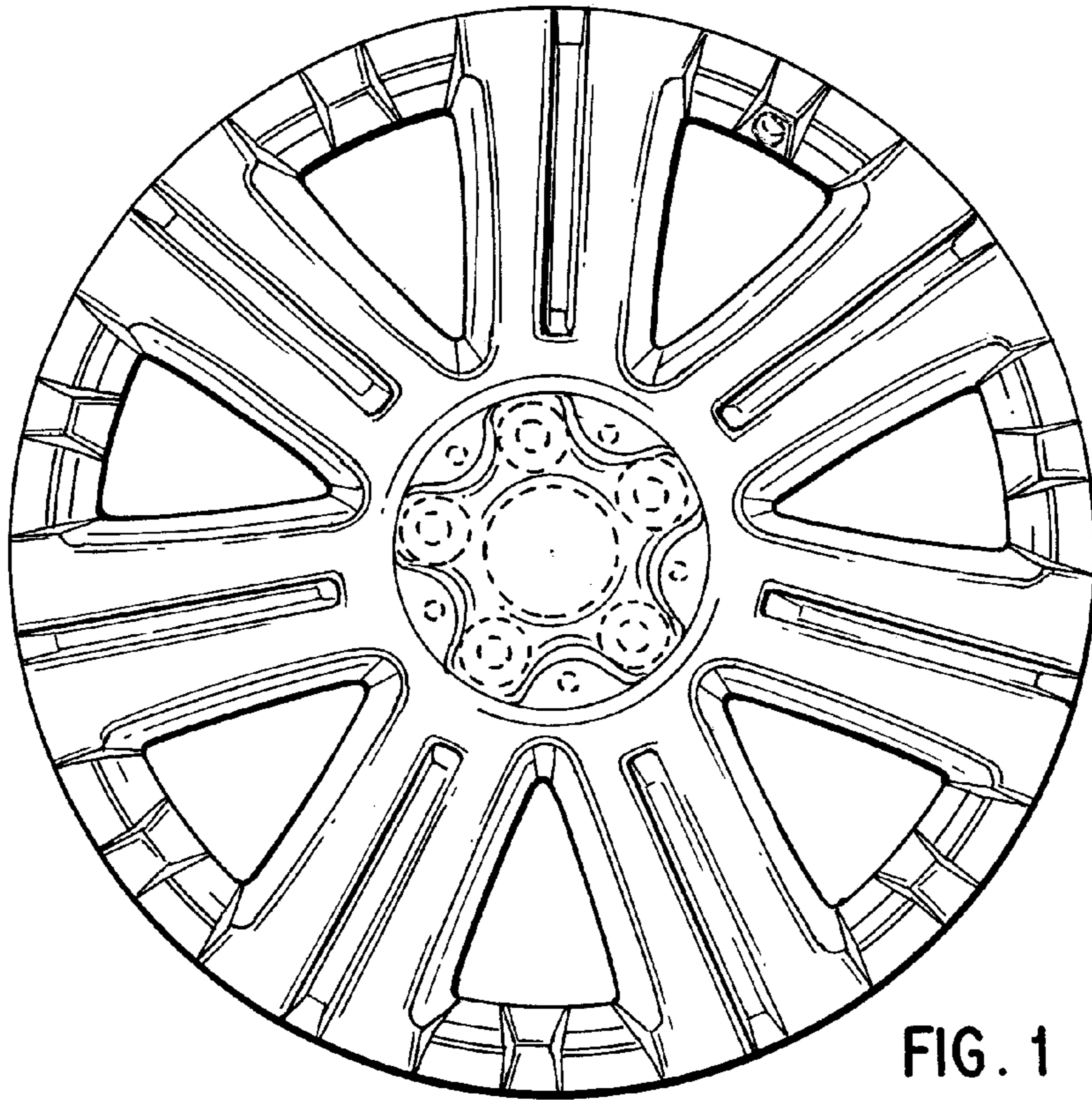


FIG. 1

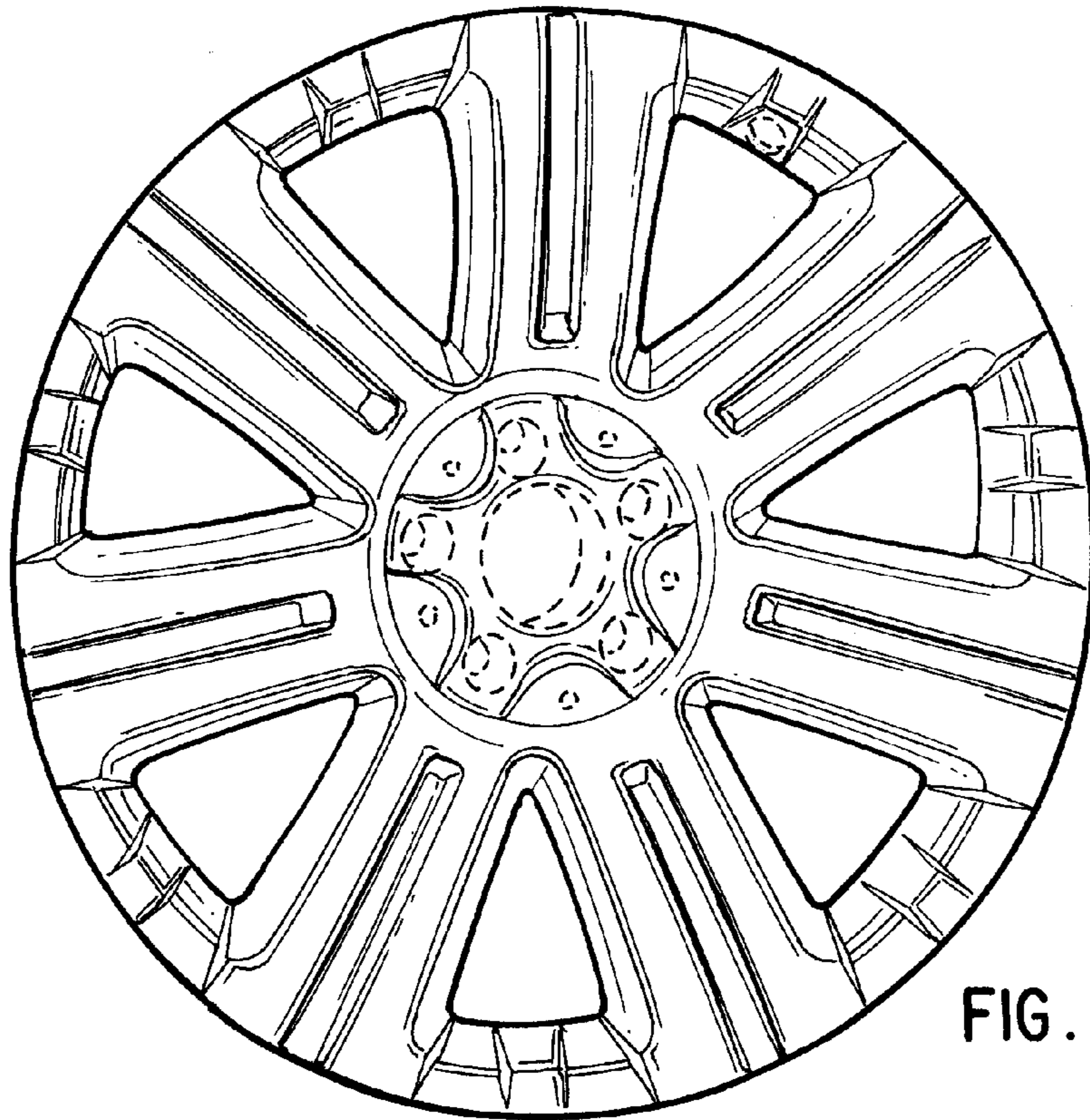


FIG. 2

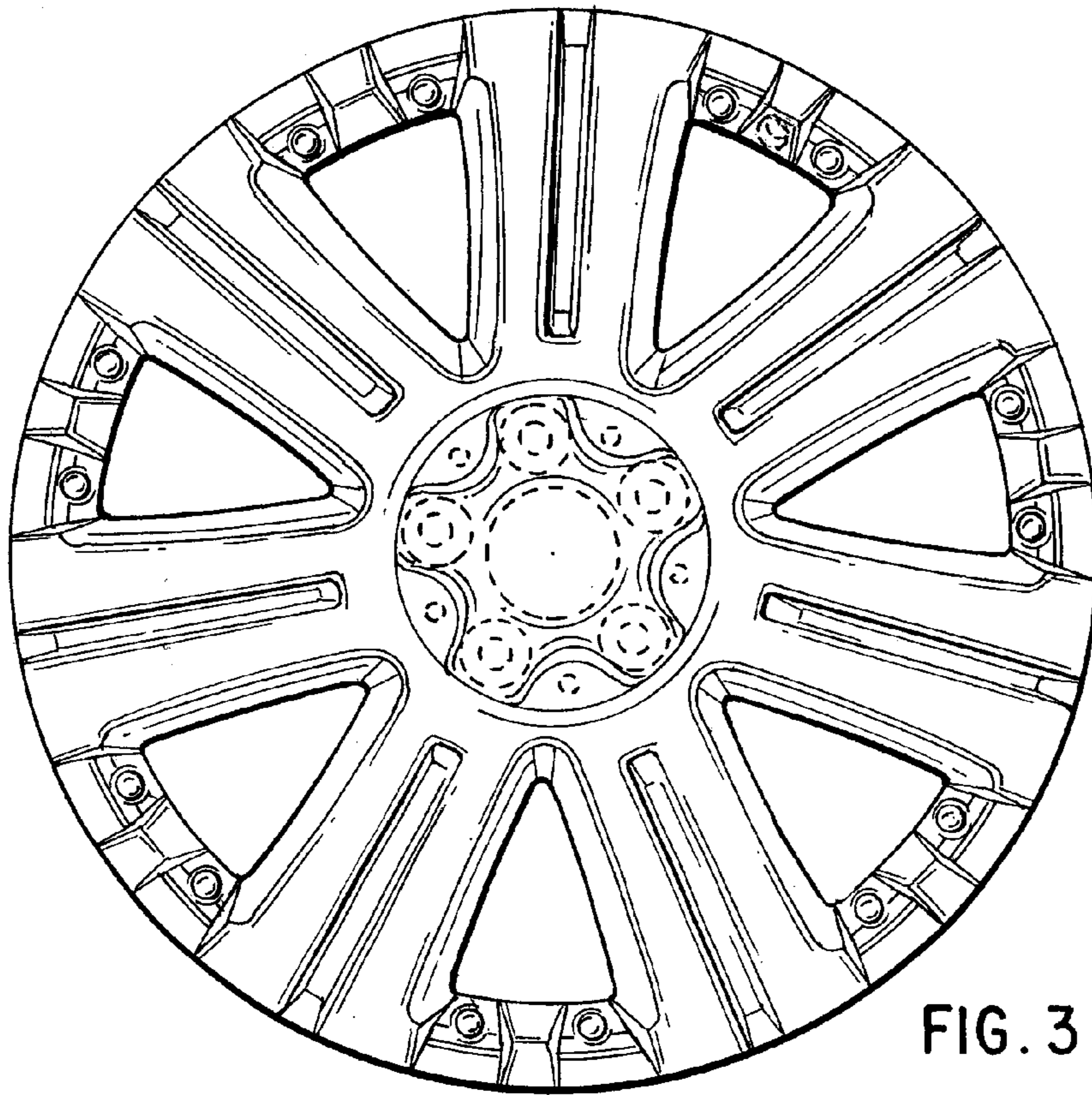


FIG. 3

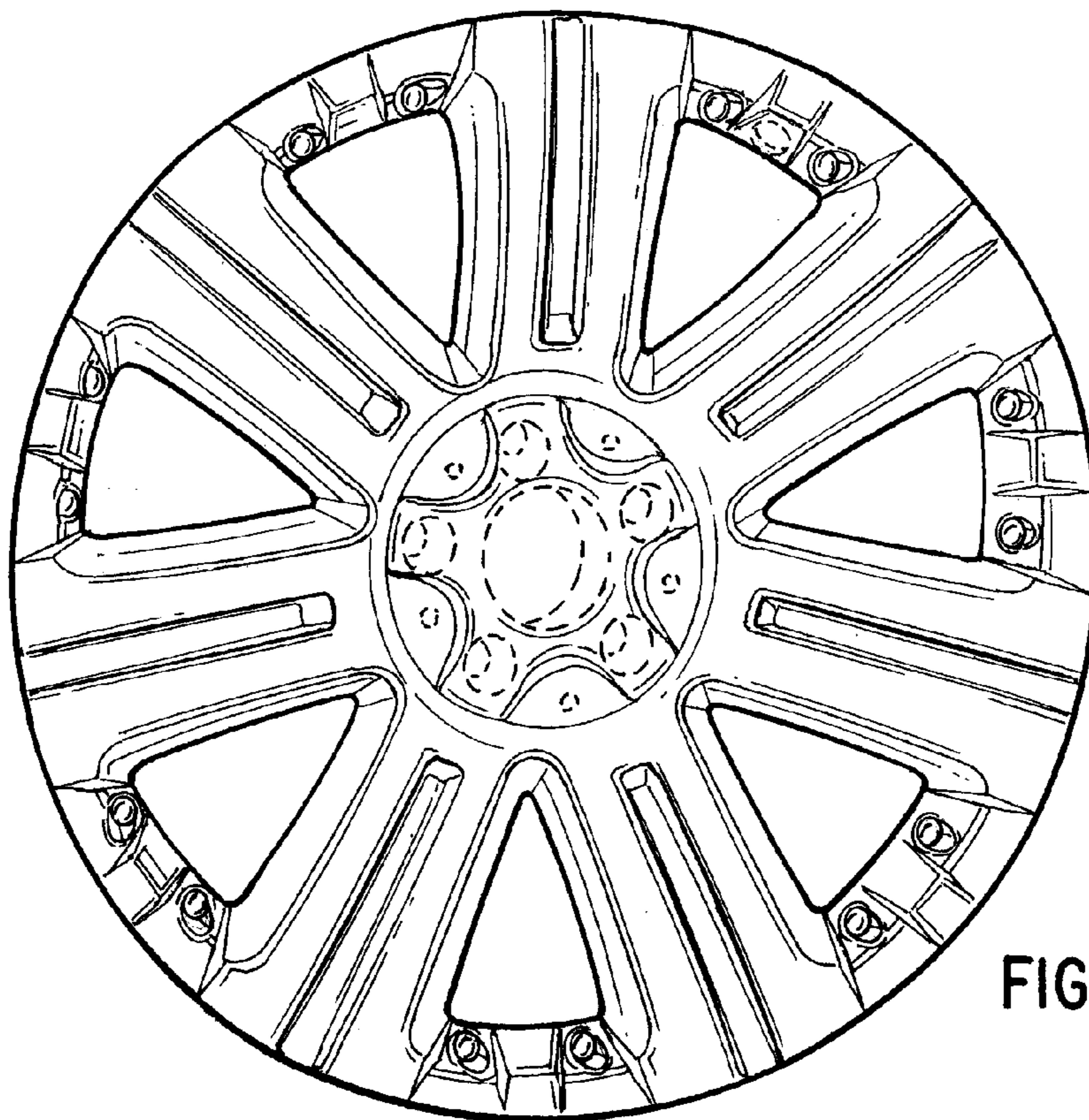


FIG. 4