



US00D520435S

(12) **United States Design Patent**
Kulla et al.

(10) **Patent No.:** **US D520,435 S**

(45) **Date of Patent:** **** May 9, 2006**

(54) **FRONT FACE OF A VEHICLE WHEEL**

(75) Inventors: **Matthias Kulla**, Leonberg (DE);
Michael Gallert, Stuttgart (DE)

(73) Assignee: **Dr. Ing. h.c.F. Porsche**
Aktiengesellschaft, Stuttgart (DE)

(**) Term: **14 Years**

(21) Appl. No.: **29/219,819**

(22) Filed: **Dec. 23, 2004**

(30) **Foreign Application Priority Data**

Jun. 25, 2004 (DE) 4 04 03 742

(51) **LOC (8) Cl.** **12-16**

(52) **U.S. Cl.** **D12/211**

(58) **Field of Classification Search** D12/204-213;
301/37.101, 64.101, 65
See application file for complete search history.

(56) **References Cited**

U.S. PATENT DOCUMENTS

D339,561 S * 9/1993 Maiworm et al. D12/211

D414,454 S * 9/1999 Chung D12/211
D425,850 S * 5/2000 Chung D12/211
D450,030 S * 11/2001 Pfeiffer D12/211
D457,118 S * 5/2002 Bhambra D12/211
D473,836 S * 4/2003 Laengerer D12/211
D504,101 S * 4/2005 Pfeiffer D12/211
D506,967 S * 7/2005 Kamimura D12/211

* cited by examiner

Primary Examiner—Stacia Cadmus

(74) *Attorney, Agent, or Firm*—Crowell & Moring LLP

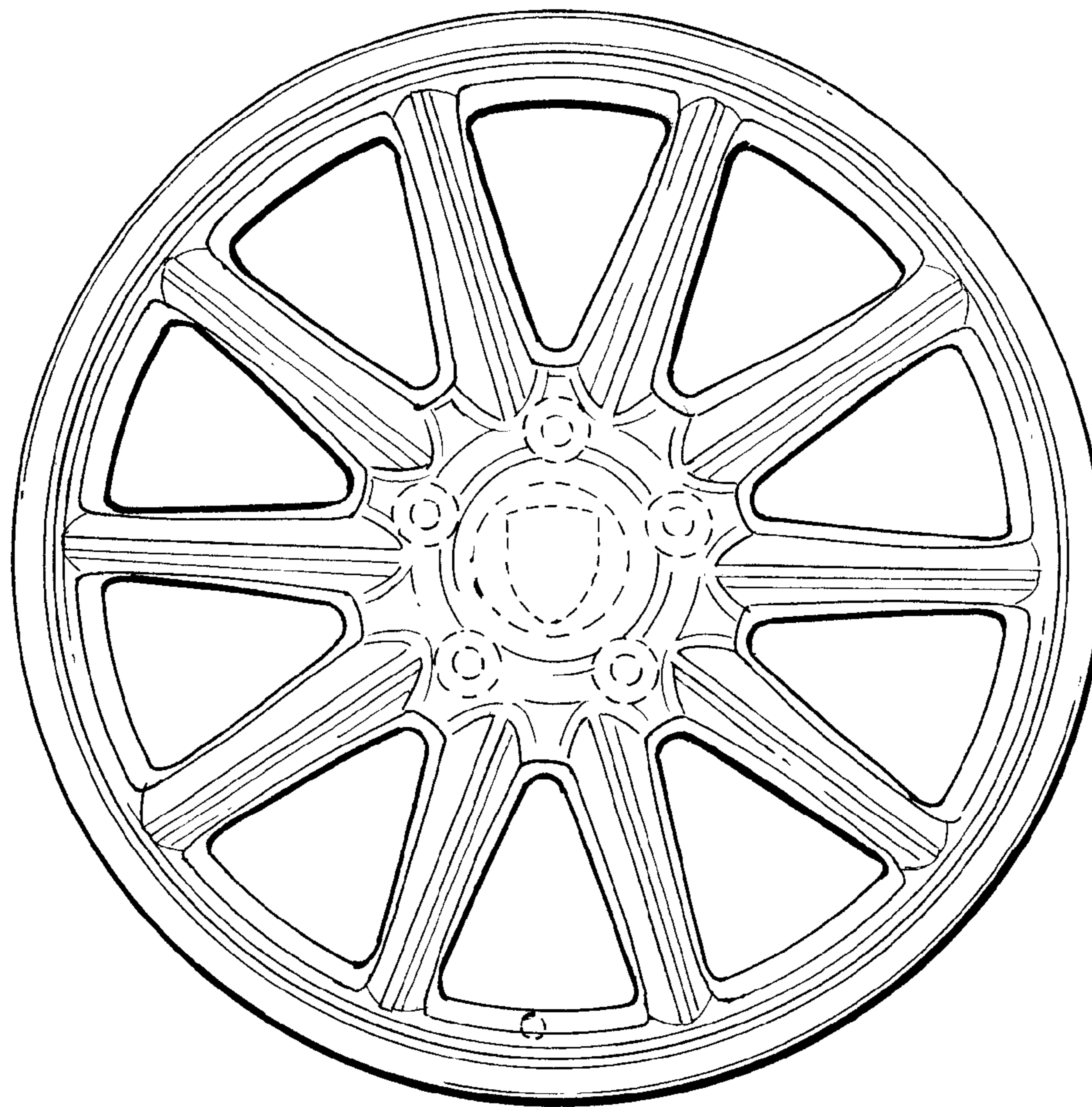
(57) **CLAIM**

The ornamental design for a front face of a vehicle wheel, as shown and described.

DESCRIPTION

FIG. 1 is a front view of a front face of a vehicle wheel according to our novel design; and, FIG. 2 is a perspective view of the front face of a vehicle wheel according to our novel design. The broken lines are for illustrative purposes only and form no part of the claimed design.

1 Claim, 1 Drawing Sheet



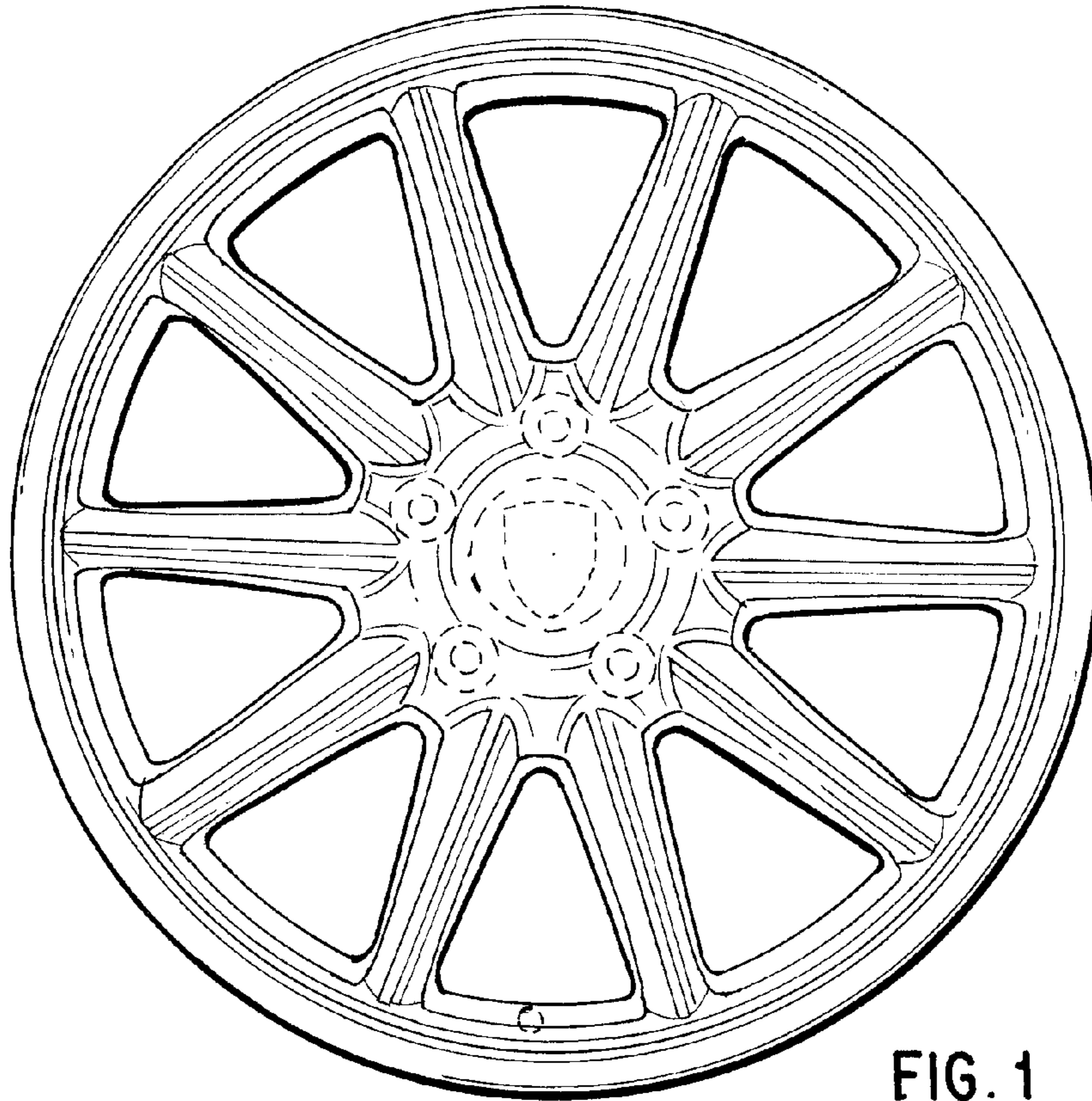


FIG. 1

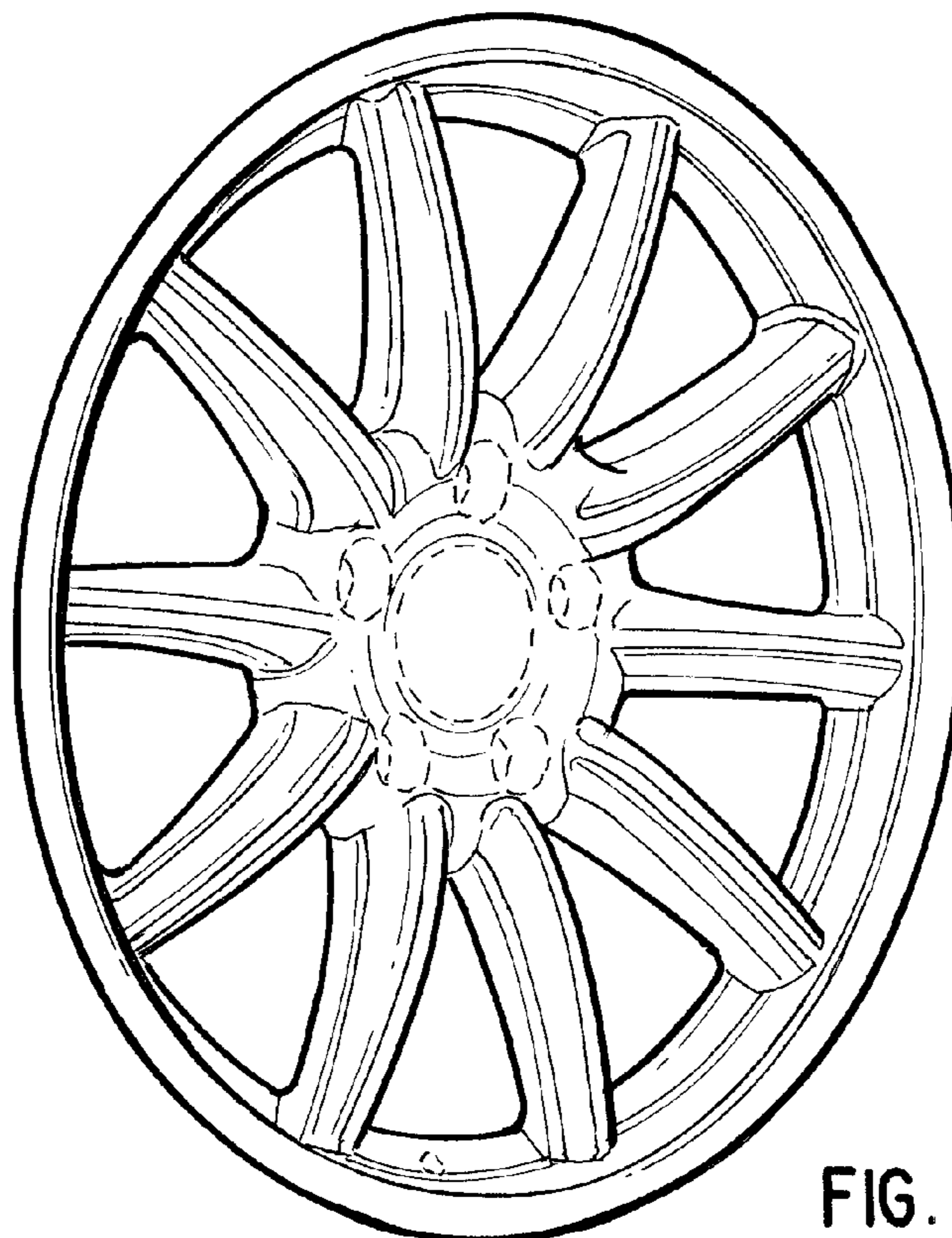


FIG. 2