



US00D520434S

(12) **United States Design Patent**
Fahr-Becker

(10) **Patent No.:** **US D520,434 S**

(45) **Date of Patent:** **** May 9, 2006**

(54) **FRONT FACE OF A VEHICLE WHEEL**

(75) Inventor: **Stefan Fahr-Becker**, Munich (DE)

(73) Assignee: **Bayerische Motoren Werke
Aktiengesellschaft**, Munich (DE)

(**) Term: **14 Years**

(21) Appl. No.: **29/213,692**

(22) Filed: **Sep. 22, 2004**

(30) **Foreign Application Priority Data**

Mar. 23, 2004 (DE) 40401901

(51) **LOC (8) Cl.** **12-16**

(52) **U.S. Cl.** **D12/211**

(58) **Field of Classification Search** D12/204-213;
301/37.101, 64.101, 65

See application file for complete search history.

(56) **References Cited**

U.S. PATENT DOCUMENTS

D411,502 S * 6/1999 Chung D12/211
D430,527 S 9/2000 Noriega

D441,339 S * 5/2001 Hussaini et al. D12/211
D457,119 S 5/2002 Braun et al.
D475,669 S * 6/2003 Boyer D12/209
D487,569 S * 3/2004 Laengerer D12/211
D502,679 S * 3/2005 Boyer D12/211
D504,647 S * 5/2005 Leclercq D12/209
D507,224 S * 7/2005 Pfeiffer D12/211

* cited by examiner

Primary Examiner—Stacia Cadmus

(74) *Attorney, Agent, or Firm*—Crowell & Moring LLP

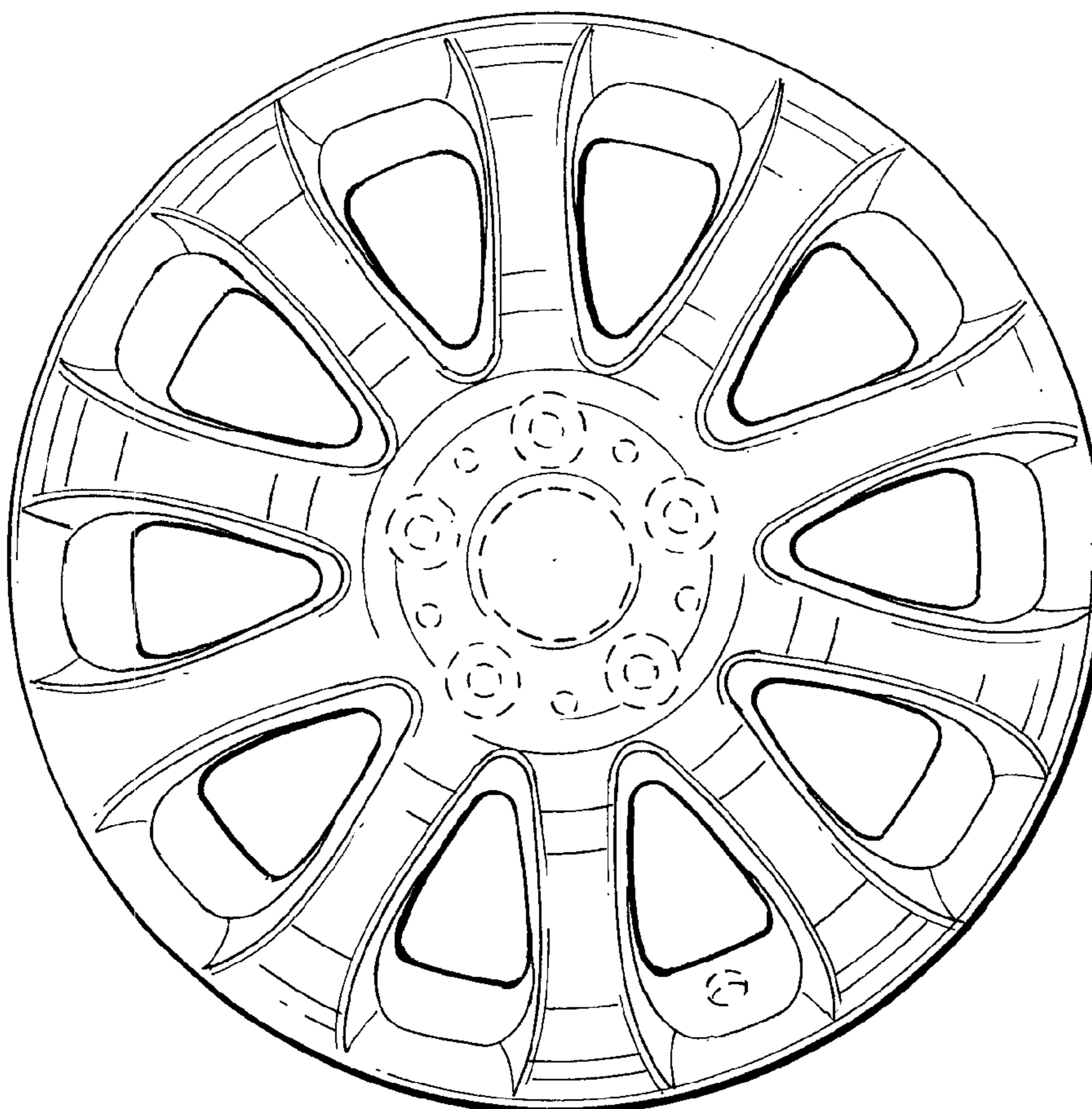
(57) **CLAIM**

The ornamental design for a front face of a vehicle wheel,
as shown and described.

DESCRIPTION

FIG. 1 is a front view of a front face of a vehicle wheel
according to my novel design; and,
FIG. 2 is a perspective view of the front face of a vehicle
wheel according to my novel design.
The broken lines are for illustrative purposes only and form
no part of the claimed design.

1 Claim, 1 Drawing Sheet



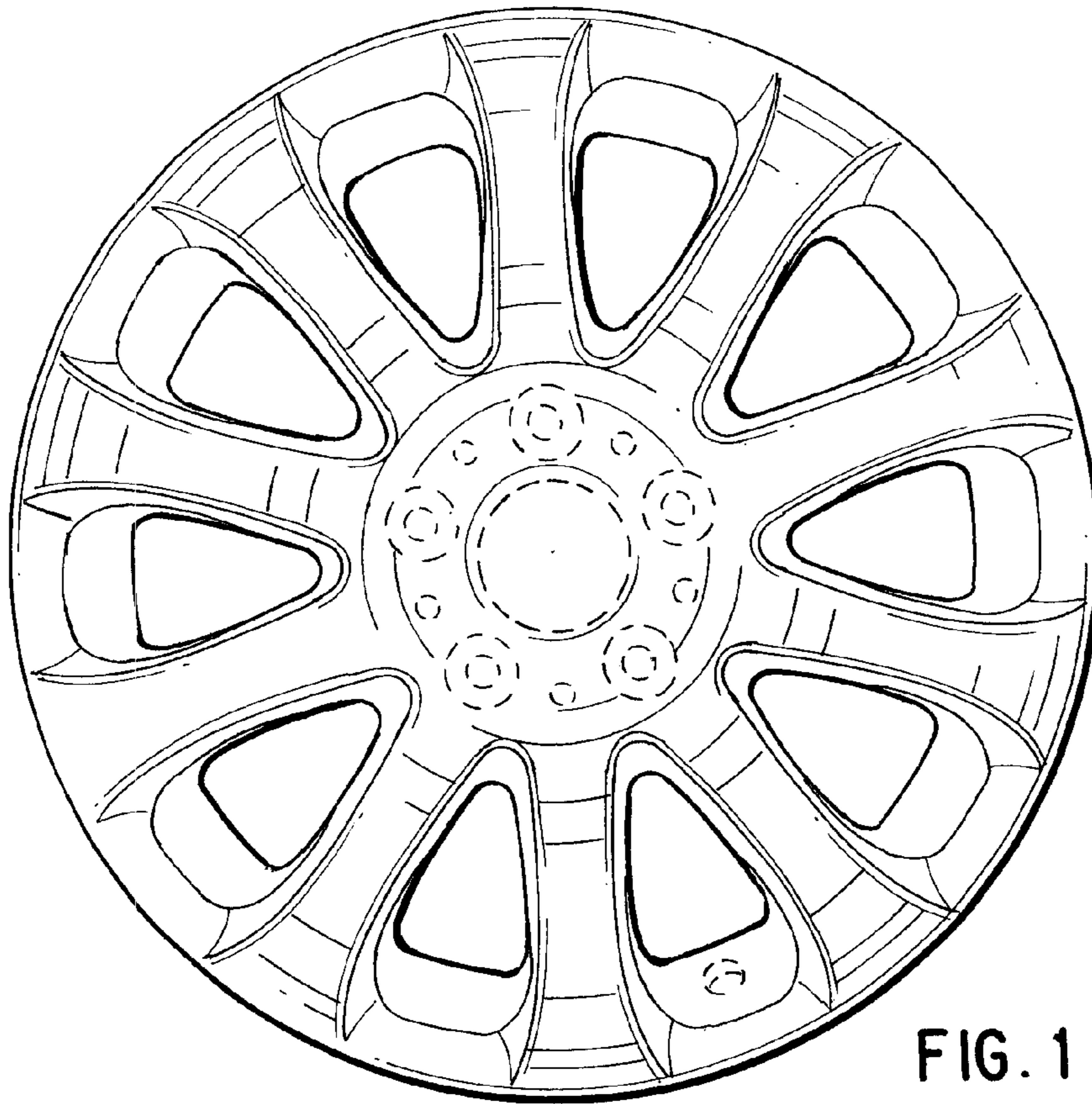


FIG. 1

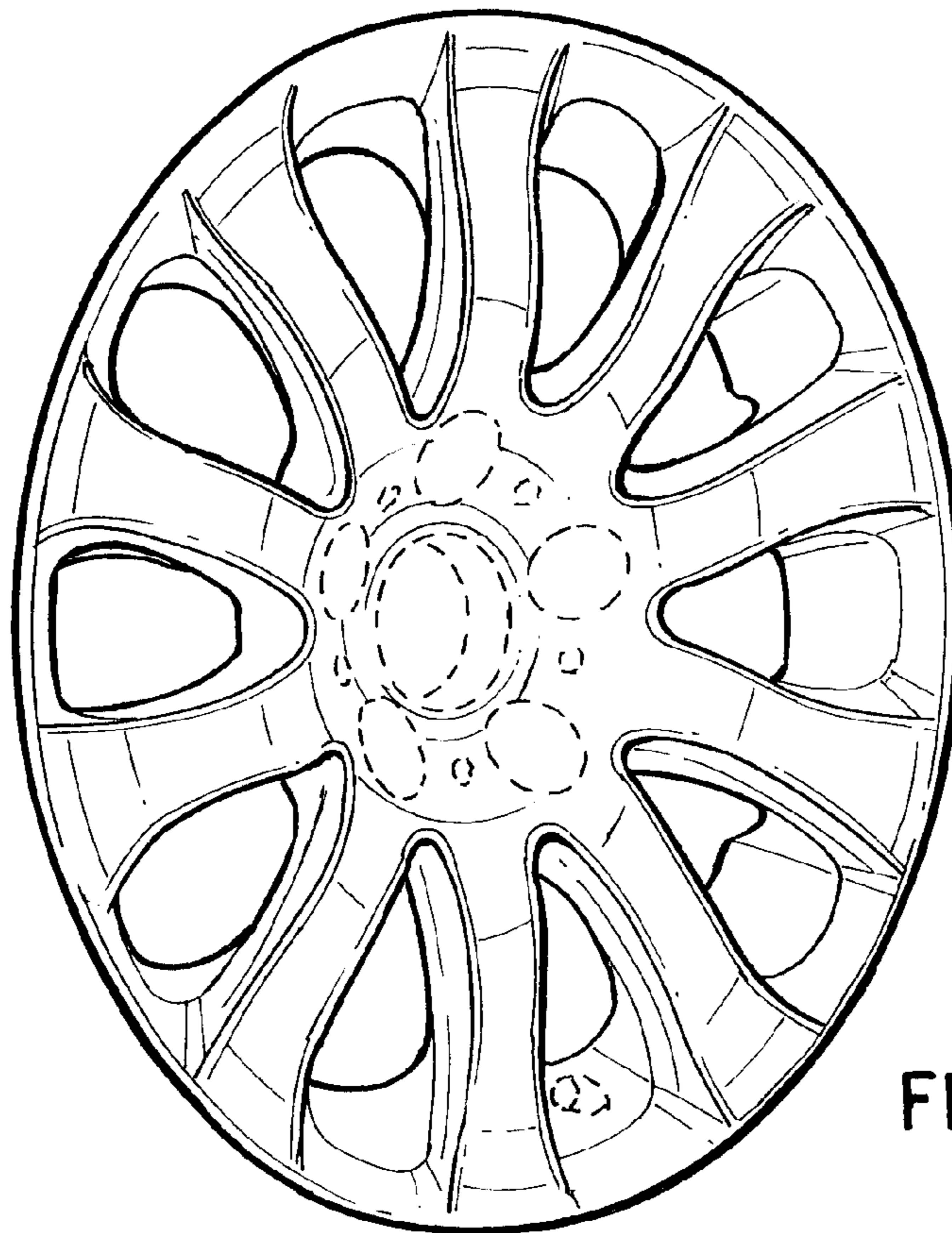


FIG. 2