



US00D520431S

(12) **United States Design Patent**
Truebsbach

(10) **Patent No.:** **US D520,431 S**

(45) **Date of Patent:** **** May 9, 2006**

(54) **FRONT FACE OF A VEHICLE WHEEL**

(75) **Inventor:** **Sebastian Truebsbach**, Prien am Chiemsee (DE)

(73) **Assignee:** **Bayerische Motoren Werke Aktiengesellschaft**, Munich (DE)

(**) **Term:** **14 Years**

(21) **Appl. No.:** **29/228,646**

(22) **Filed:** **Apr. 27, 2005**

(30) **Foreign Application Priority Data**

Oct. 28, 2004 (DE) 4 04 06 173

(51) **LOC (8) Cl.** **12-16**

(52) **U.S. Cl.** **D12/209**

(58) **Field of Classification Search** D12/204–213;
301/37.101, 64.101, 65

See application file for complete search history.

(56) **References Cited**

U.S. PATENT DOCUMENTS

- D380,432 S * 7/1997 Hettler D12/209
- D384,025 S * 9/1997 Roesianto D12/209
- D391,543 S * 3/1998 Renkert D12/209
- D412,692 S * 8/1999 Hussaini D12/209
- D433,374 S * 11/2000 Wang D12/209

- D433,659 S * 11/2000 Frizzi D12/211
- D452,839 S * 1/2002 Muth et al. D12/209
- D454,527 S * 3/2002 Bhambra D12/209
- D460,395 S * 7/2002 Kuribayashi D12/209
- D467,855 S * 12/2002 Laengerer D12/209
- D471,502 S * 3/2003 McMath D12/209
- D480,342 S * 10/2003 Wang D12/209
- D484,839 S * 1/2004 Scheu D12/209
- D487,418 S * 3/2004 Hieke D12/211
- D487,881 S * 3/2004 Laengerer D12/209
- D488,420 S * 4/2004 Murkett et al. D12/209
- D491,871 S * 6/2004 Kang D12/209
- D506,428 S * 6/2005 Hussaini et al. D12/209

* cited by examiner

Primary Examiner—Stacia Cadmus

(74) *Attorney, Agent, or Firm*—Crowell & Moring LLP

(57) **CLAIM**

The ornamental design for a front face of a vehicle wheel, as shown and described.

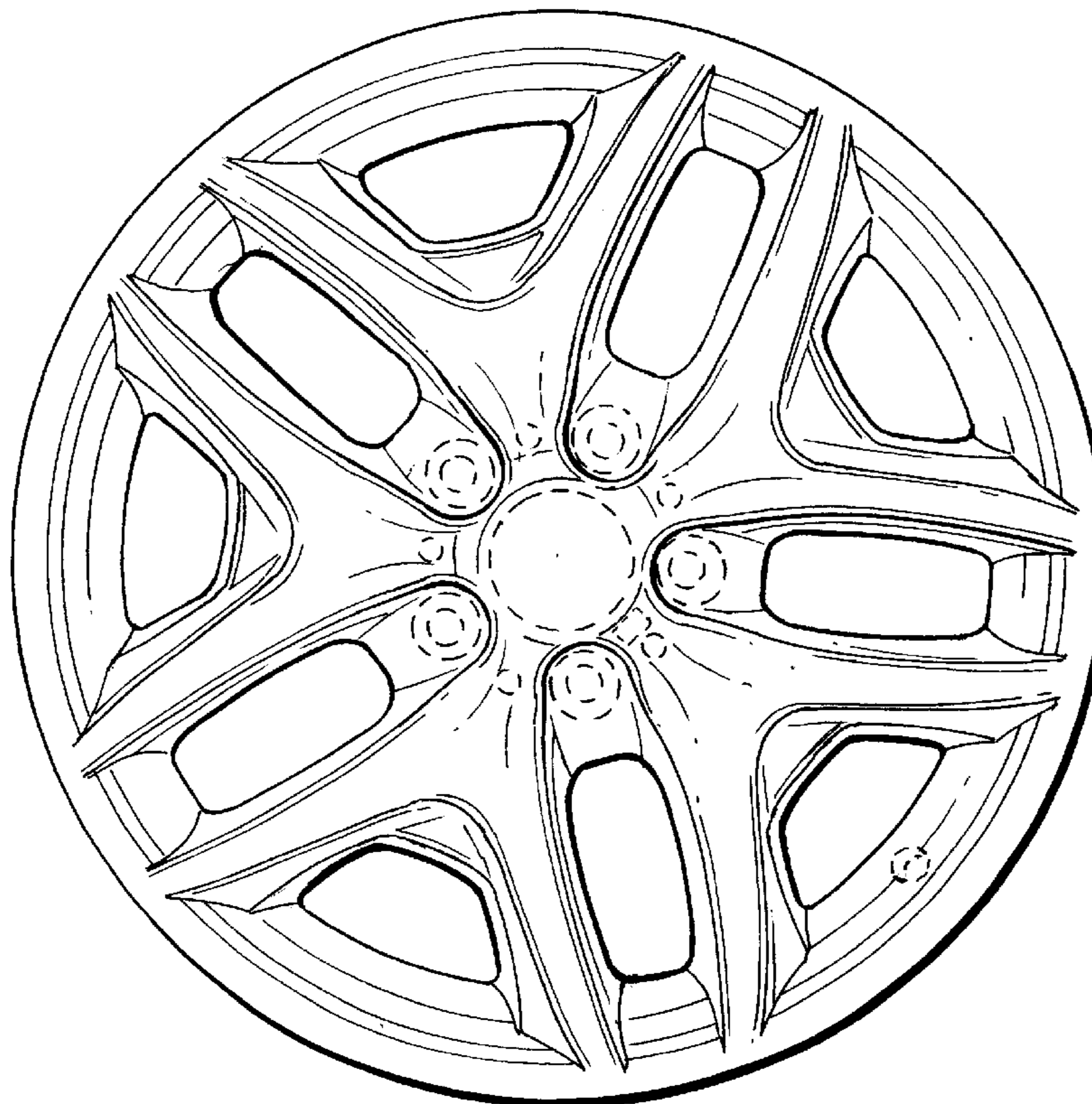
DESCRIPTION

FIG. 1 is a front view of a front face of a vehicle wheel according to my novel design; and,

FIG. 2 is a perspective view of the front face of a vehicle wheel according to my novel design.

The broken lines are for illustrative purposes only and form no part of the claimed design.

1 Claim, 1 Drawing Sheet



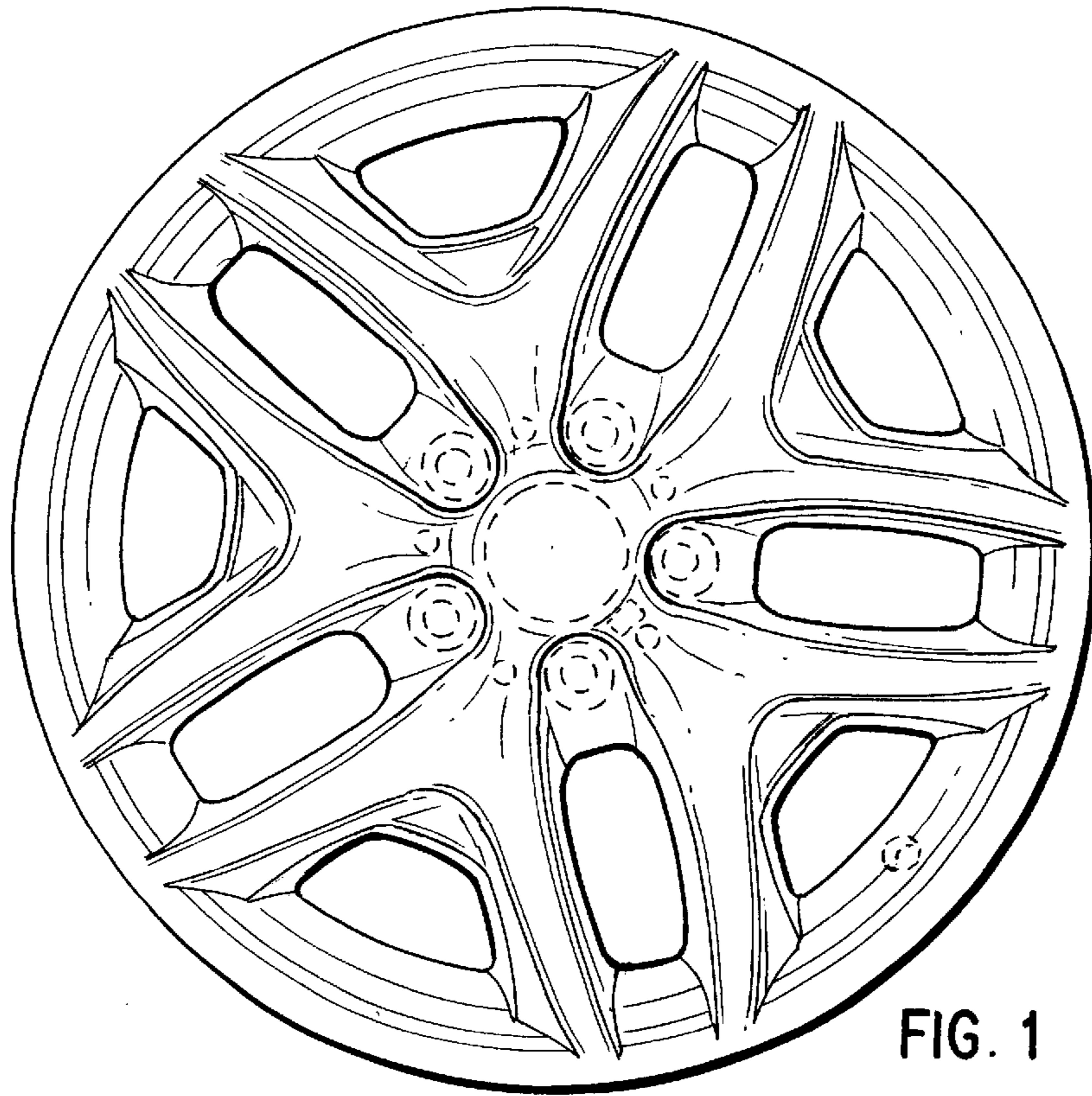


FIG. 1

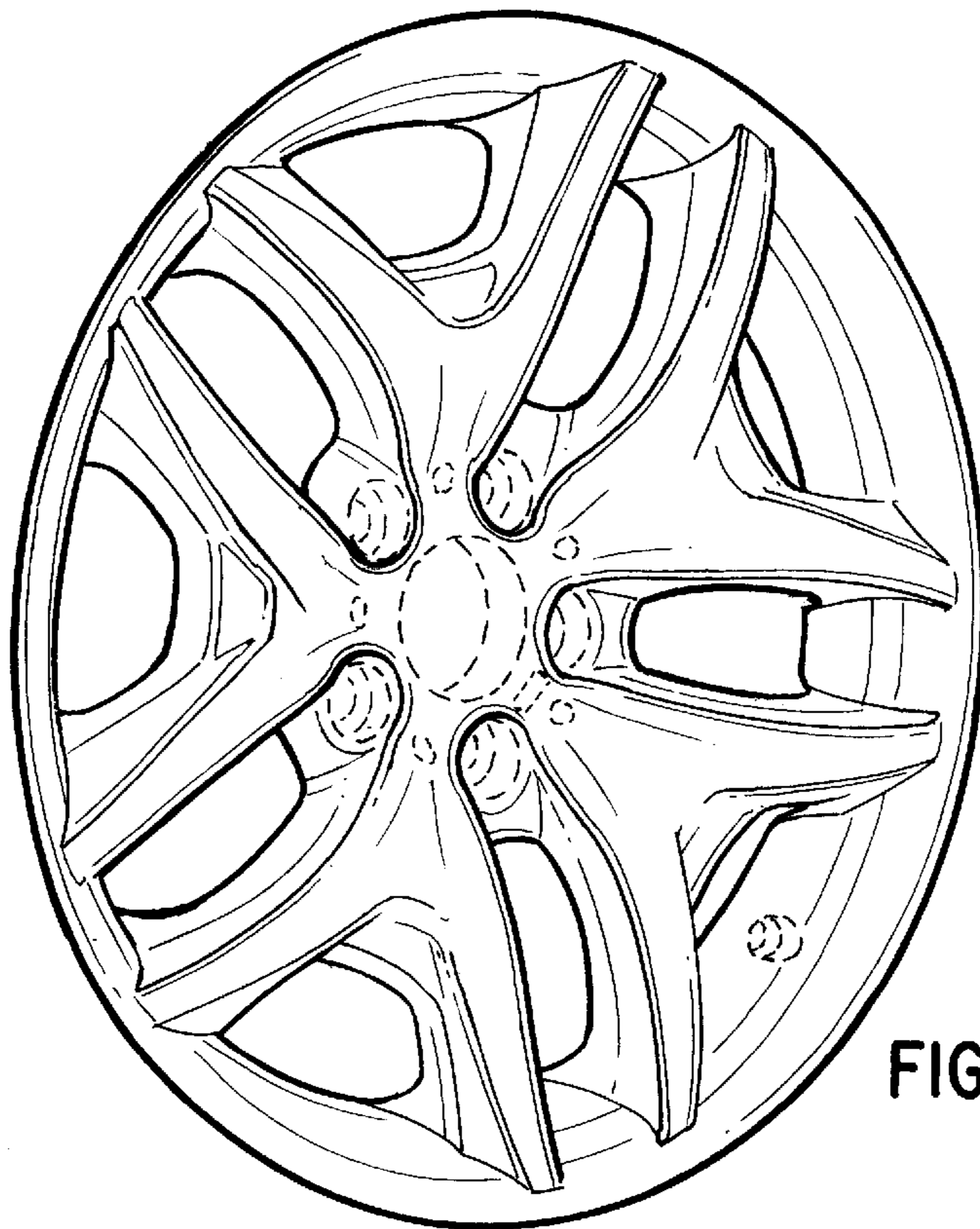


FIG. 2