



US00D520429S

(12) **United States Design Patent**
Woodard

(10) **Patent No.:** **US D520,429 S**

(45) **Date of Patent:** **** May 9, 2006**

(54) **HORSE TRAILER STEP**
(75) Inventor: **William C. Woodard**, Noble, OK (US)
(73) Assignee: **Welchel Enterprises, L.L.C.**,
Oklahoma City, OK (US)

(**) Term: **14 Years**

(21) Appl. No.: **29/223,103**

(22) Filed: **Feb. 9, 2005**

(51) **LOC (8) Cl.** **12-16**

(52) **U.S. Cl.** **D12/203**

(58) **Field of Classification Search** D12/203,
D12/101, 106; D25/62, 63, 69; 238/14; 182/90-92,
182/96; 280/163-166, 416, 414.1-414.3,
280/848

See application file for complete search history.

(56) **References Cited**

U.S. PATENT DOCUMENTS

D214,558 S	*	7/1969	Mulford	D25/63
3,516,515 A	*	6/1970	Clash	182/96
3,756,622 A	*	9/1973	Pyle et al.	280/166
3,771,815 A	*	11/1973	Bridges	280/166
D239,378 S	*	3/1976	Stecker	D12/203
D296,321 S	*	6/1988	Hayes	D12/203
D371,336 S	*	7/1996	Wilson	D12/203
D394,628 S	*	5/1998	Wentzel	D12/203
D410,612 S	*	6/1999	Payne	D12/203

D448,335 S	*	9/2001	Ehnes	D12/203
D450,644 S	*	11/2001	Farkash	D12/203
D494,117 S	*	8/2004	Ruffin	D12/203
D499,049 S	*	11/2004	Stinson	D12/106

* cited by examiner

Primary Examiner—Stacia Cadmus

(74) *Attorney, Agent, or Firm*—Dunlap, Codding & Rodgers, P.C.

(57) **CLAIM**

The ornamental design for a horse trailer step, as shown and described.

DESCRIPTION

FIG. 1 is a perspective view of a horse trailer step, showing my new design, shown in its position of use attached to a horse trailer;

FIG. 2 is a perspective view of the horse trailer step;

FIG. 3 is a front view of FIG. 2;

FIG. 4 is a left side view of the step of FIG. 1;

FIG. 5 is a side view of the step shown in collapsed position under the horse trailer;

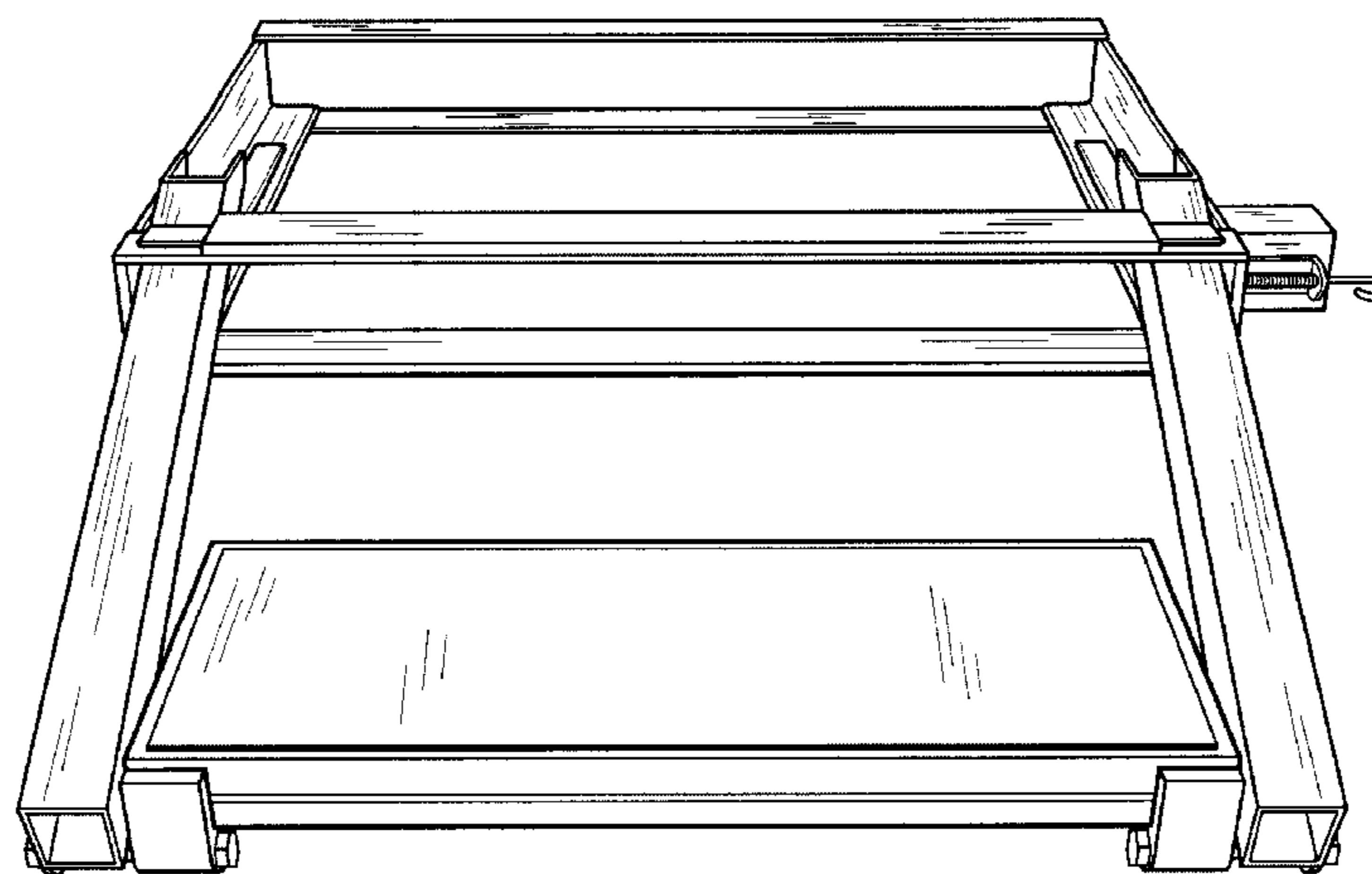
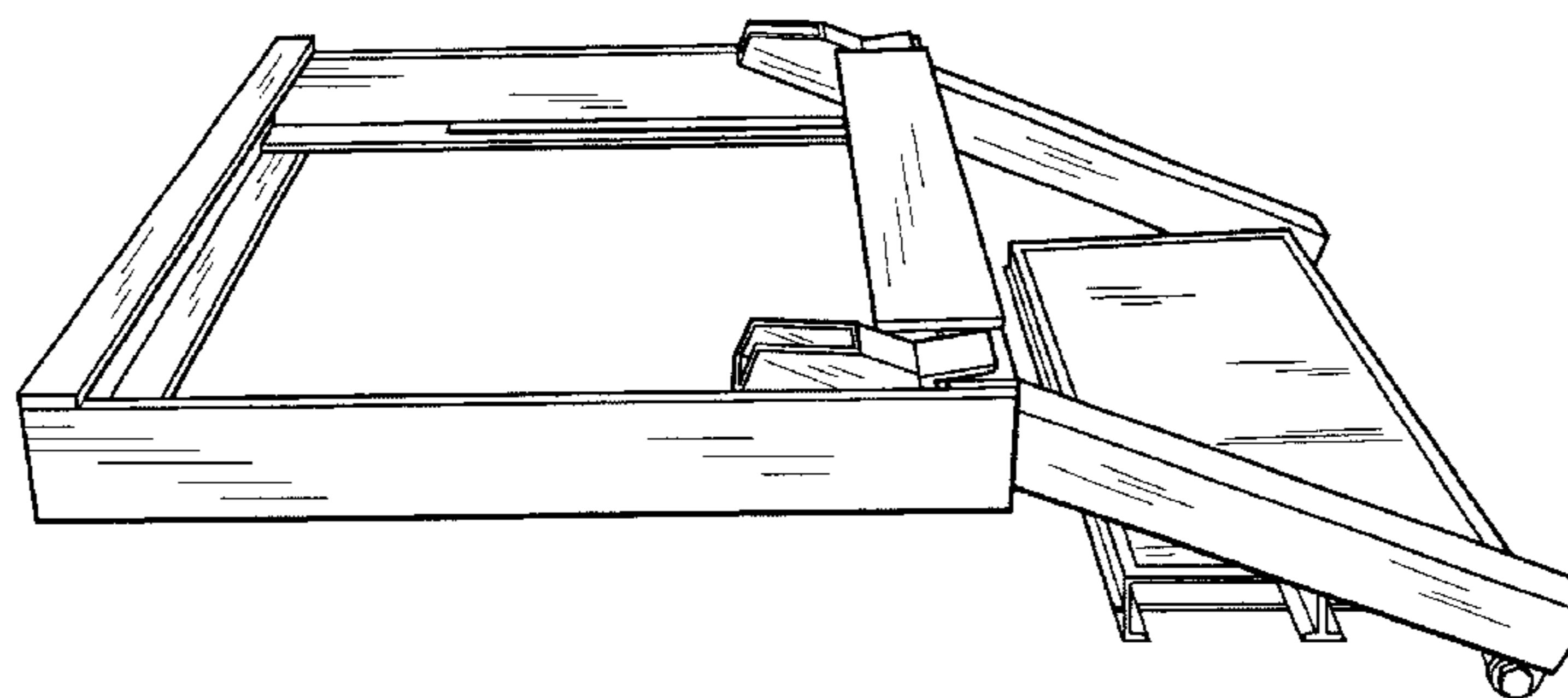
FIG. 6 is a perspective view of the step of FIG. 5;

FIG. 7 is a bottom view of the horse trailer step of FIG. 2; and,

FIG. 8 is a right side view of the step of FIG. 1.

The horse trailer shown in dashed lines forms no part of the invention.

1 Claim, 4 Drawing Sheets



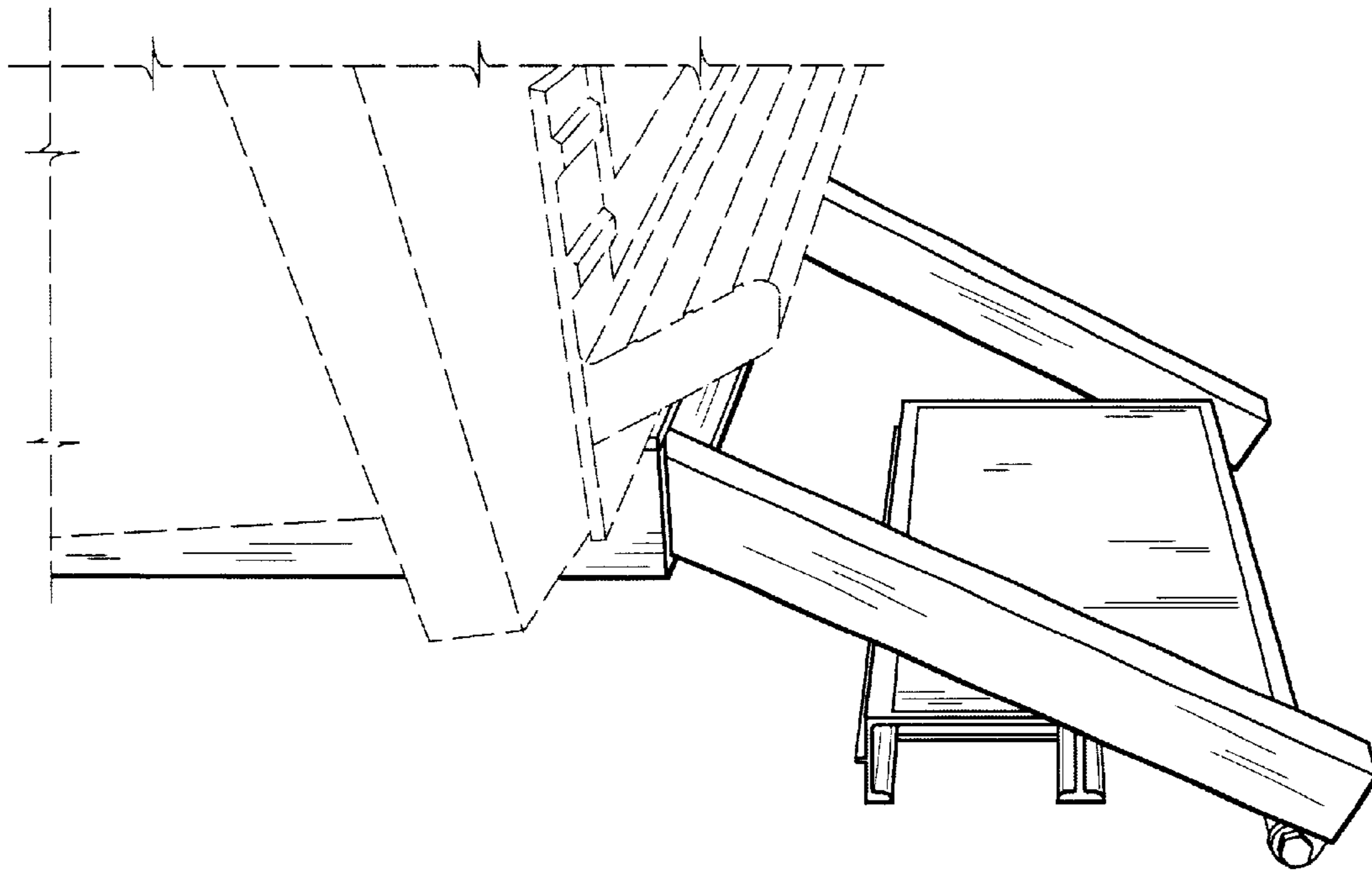


Fig. 1

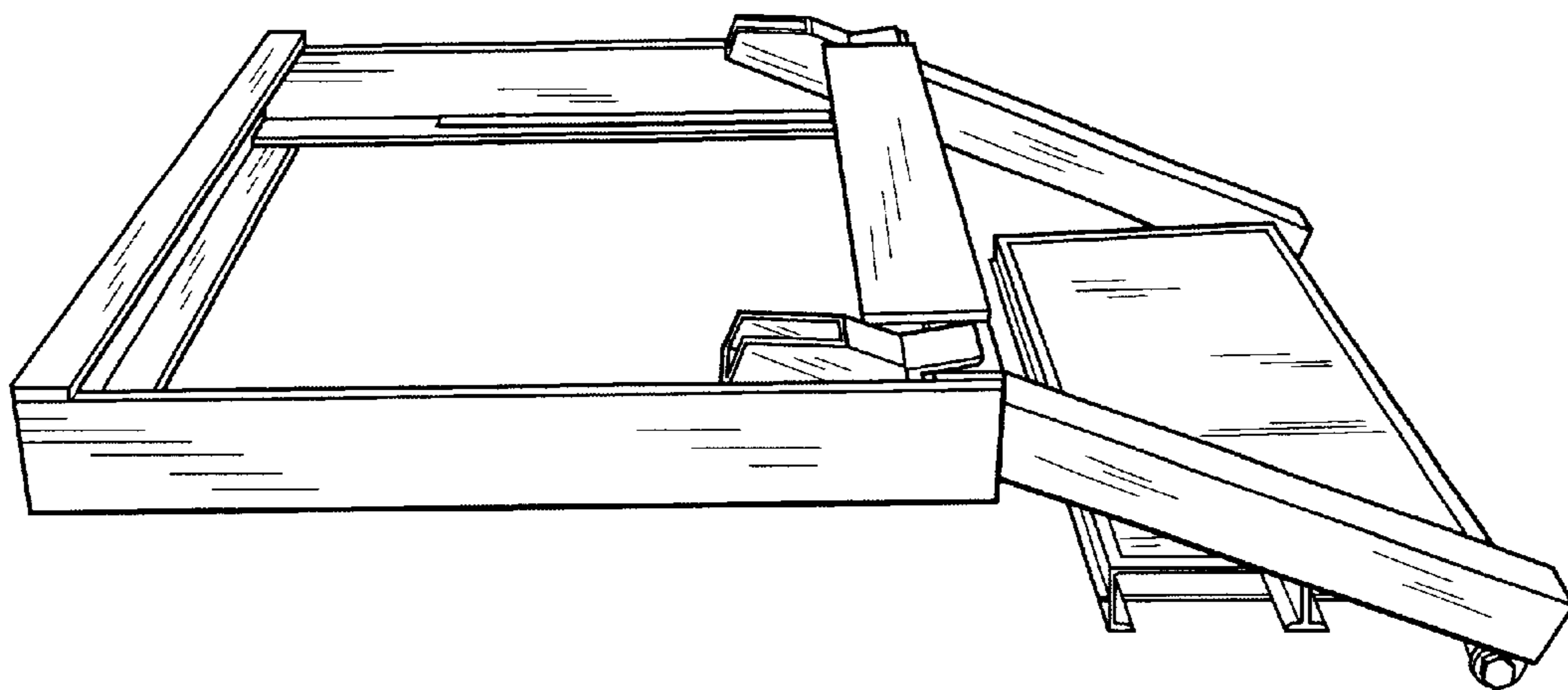


Fig. 2

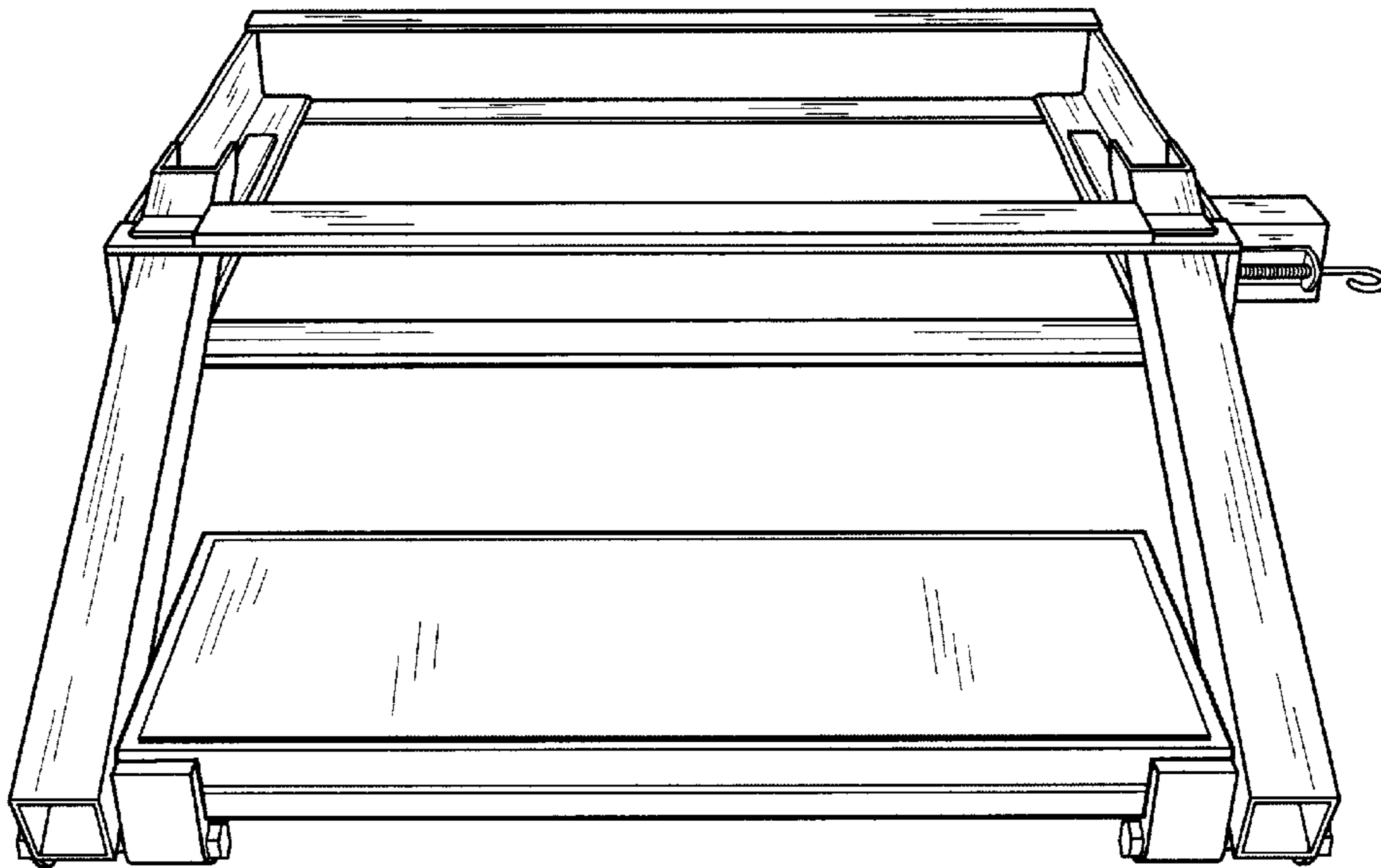


Fig. 3

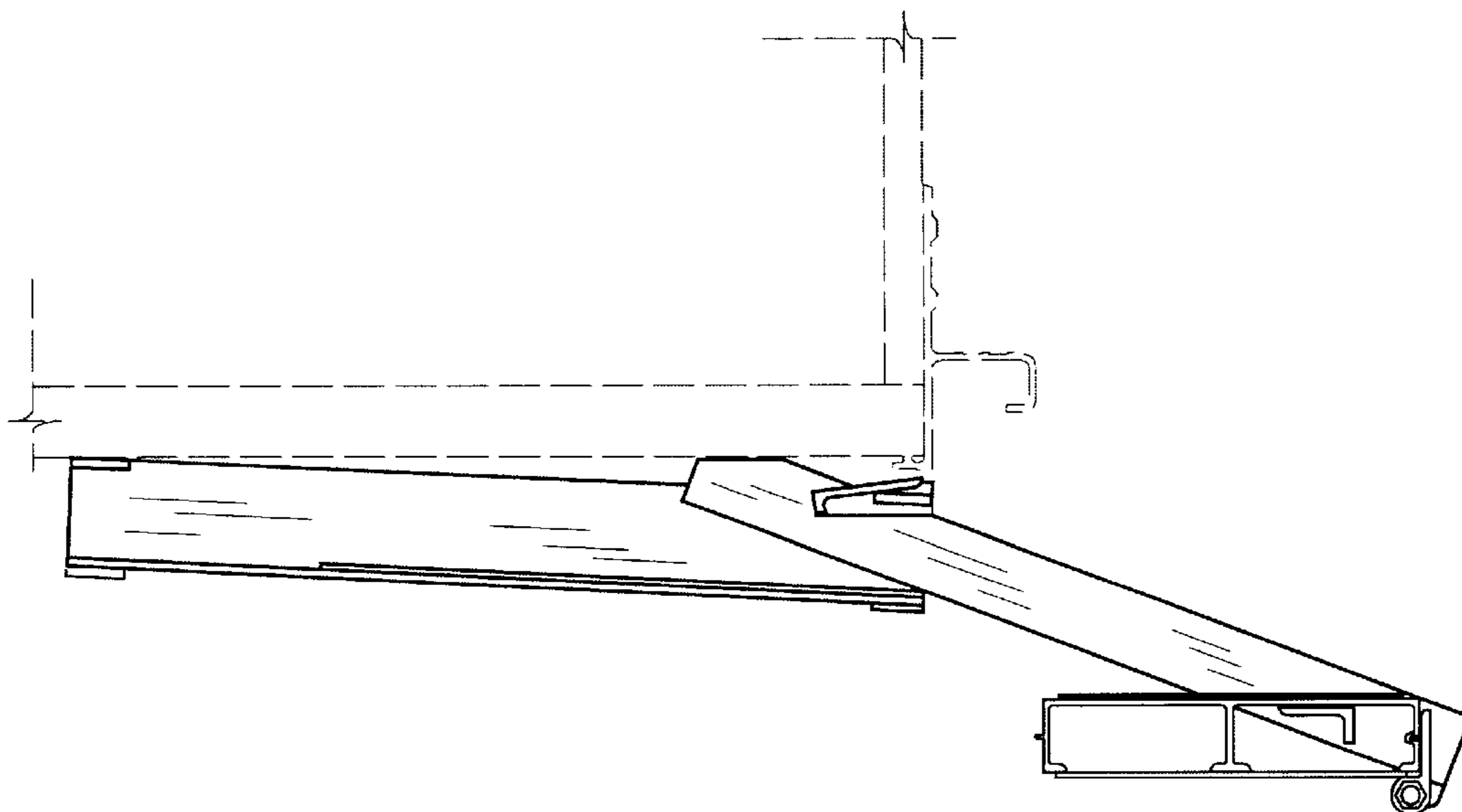


Fig. 4

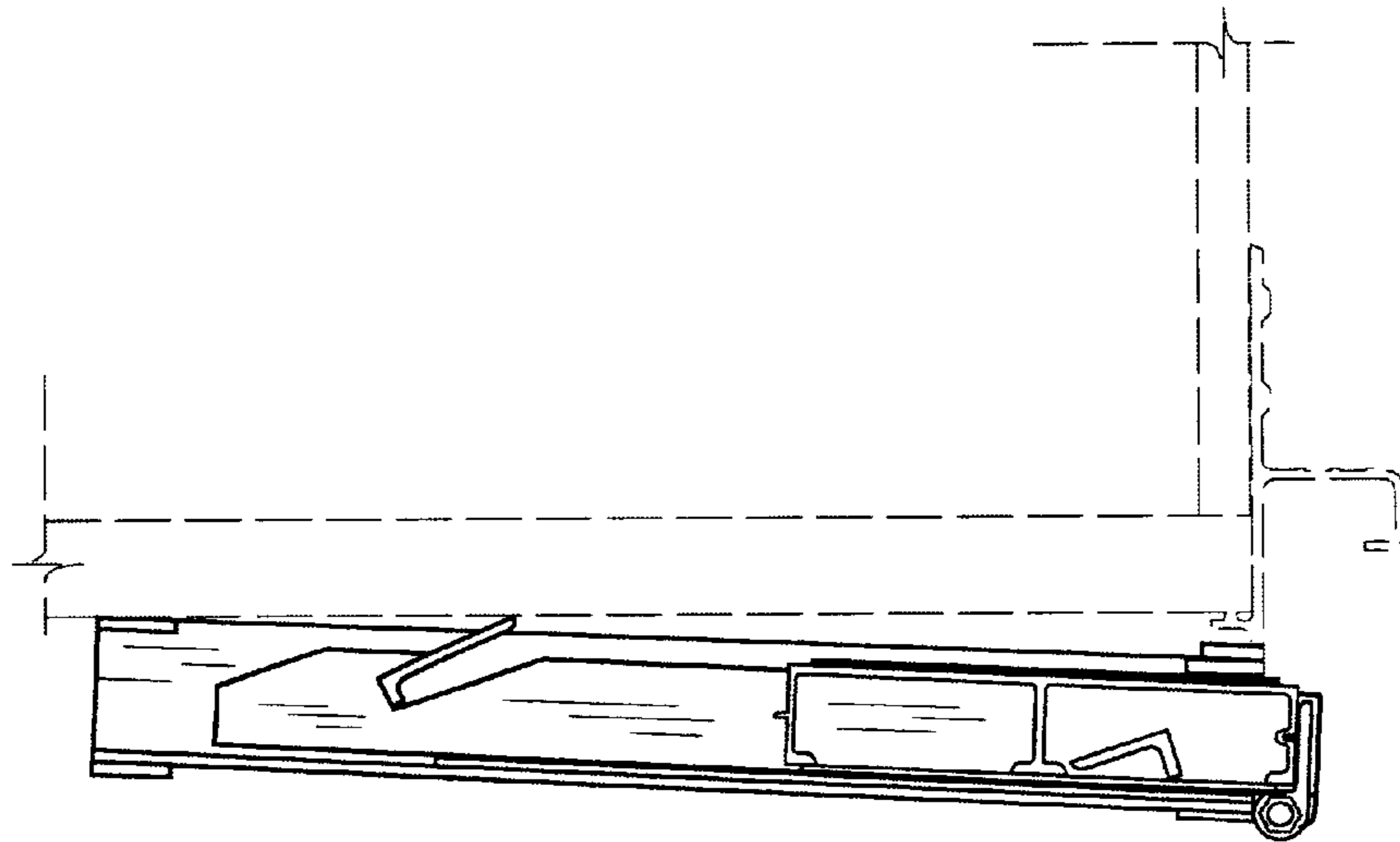


Fig. 5

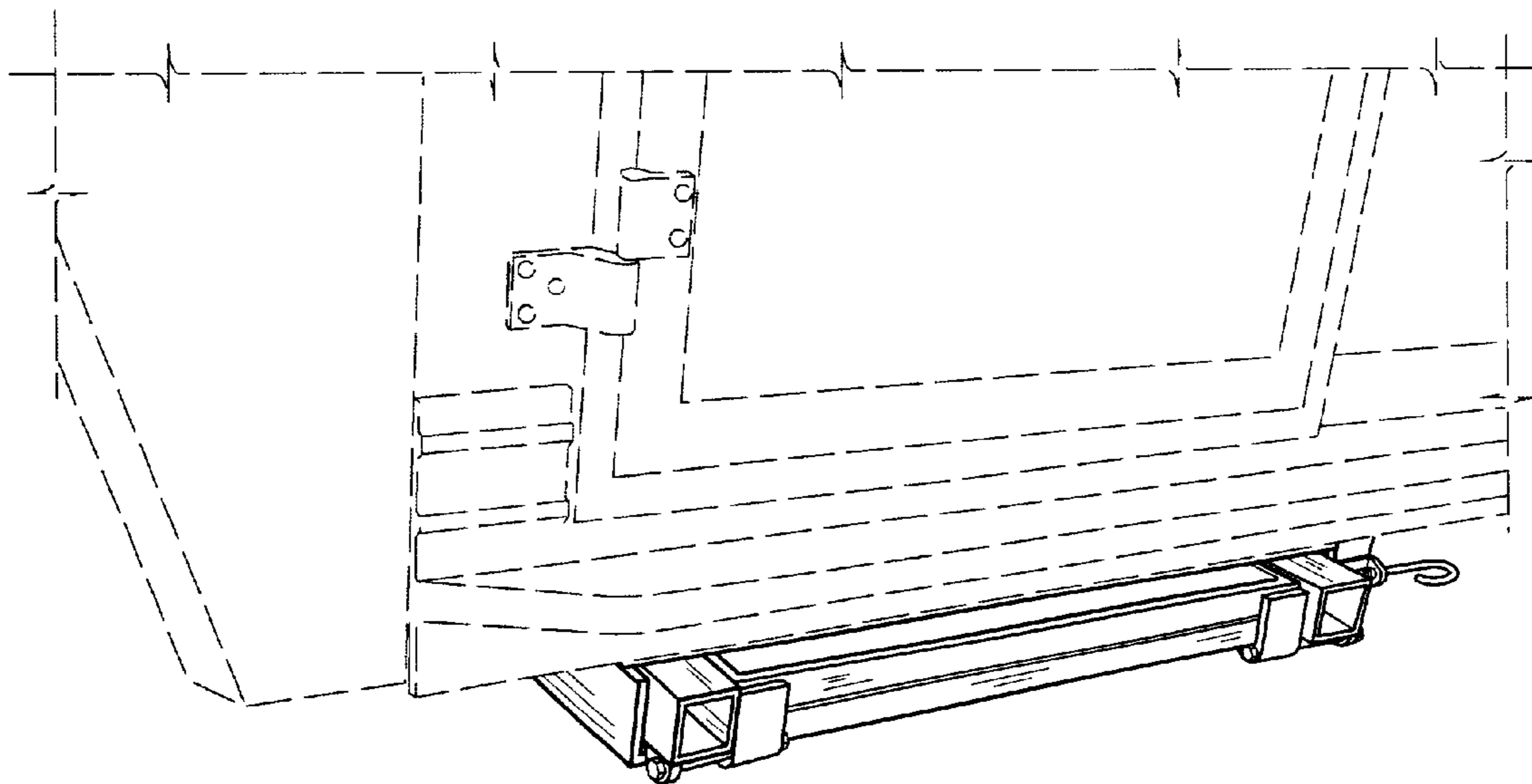


Fig. 6

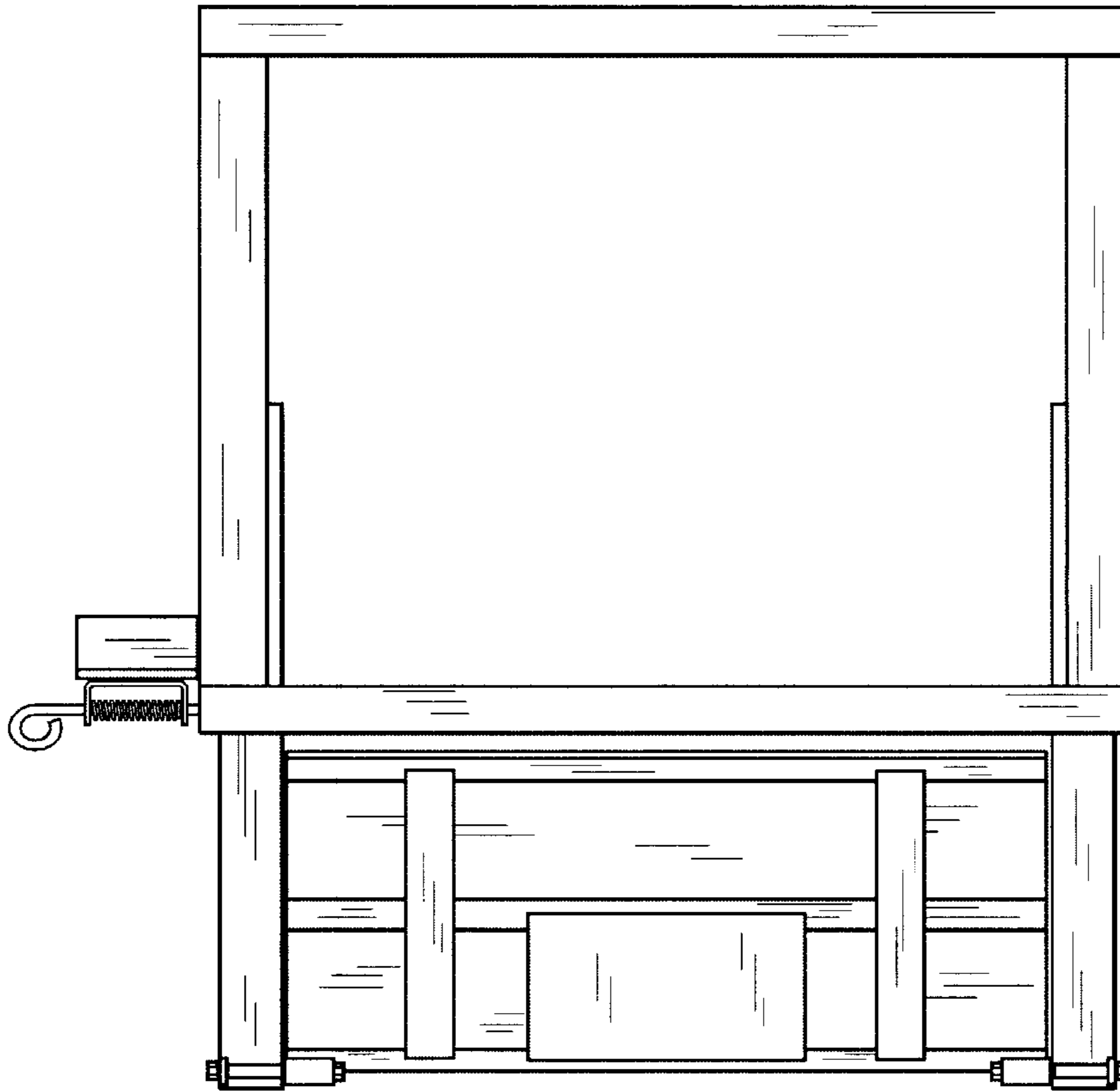


Fig. 7

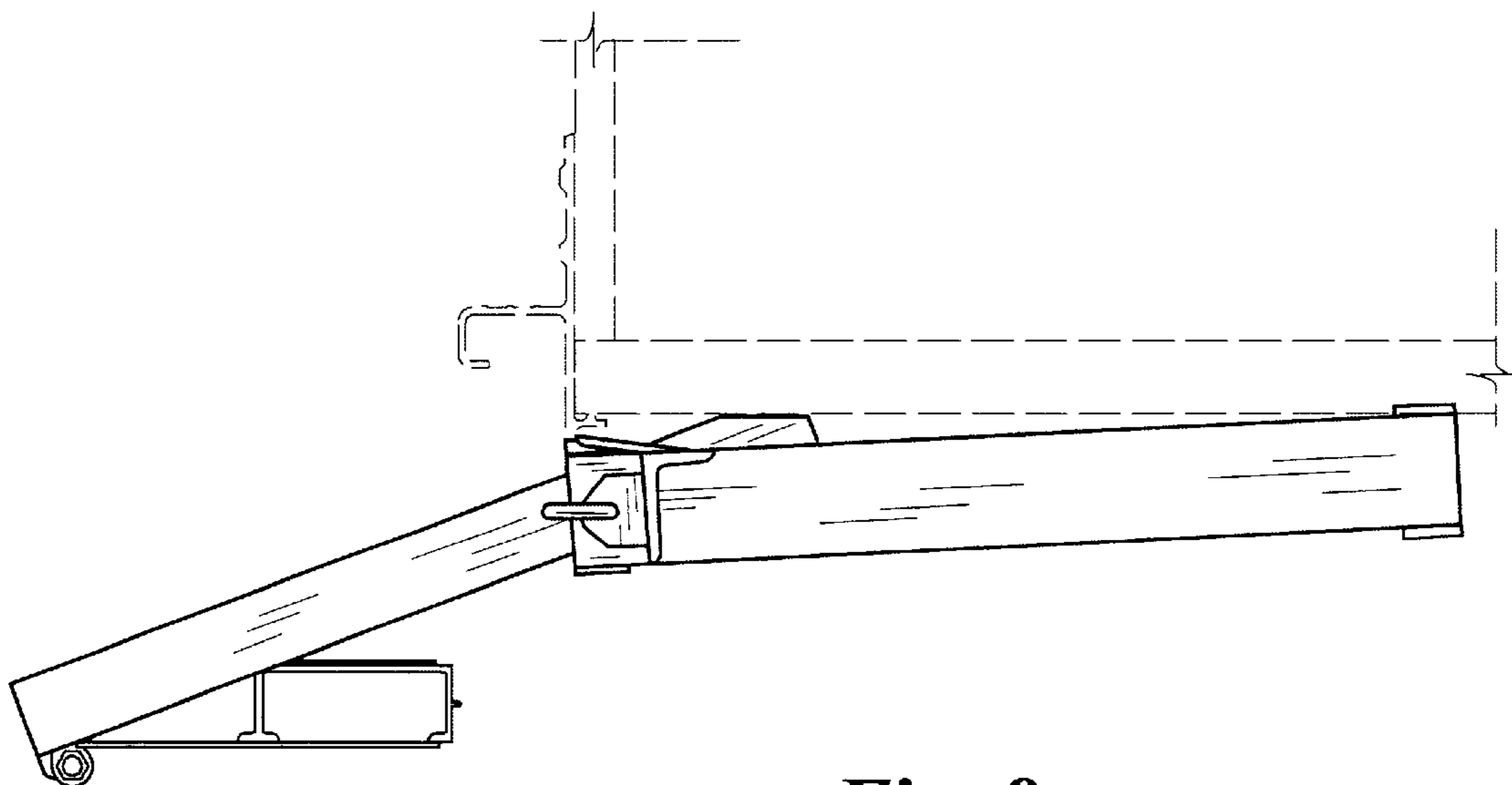


Fig. 8