



US00D520428S

(12) **United States Design Patent**
Iwanaga et al.

(10) **Patent No.:** **US D520,428 S**
(45) **Date of Patent:** **** May 9, 2006**

(54) **BACK DOOR FOR AN AUTOMOBILE**

D507,219 S * 7/2005 Boyer D12/196

(75) Inventors: **Kengo Iwanaga**, Tokyo (JP); **Jin Won Kim**, Newport Beach, CA (US)

(73) Assignee: **Toyota Jidosha Kabushiki Kaisha** (JP)

(**) Term: **14 Years**

(21) Appl. No.: **29/222,083**

(22) Filed: **Jan. 25, 2005**

(51) **LOC (8) Cl.** **12-16**

(52) **U.S. Cl.** **D12/196**

(58) **Field of Classification Search** D12/196,
D12/90-92, 86; 296/181.1

See application file for complete search history.

(56) **References Cited**

U.S. PATENT DOCUMENTS

D373,342 S	*	9/1996	Moore	D12/196
D420,317 S	*	2/2000	Ney	D12/196
D424,980 S	*	5/2000	Hunter et al.	D12/91
D457,115 S	*	5/2002	Mahoney et al.	D12/196
D457,844 S	*	5/2002	Linson et al.	D12/196
D491,855 S	*	6/2004	Velazco	D12/196
D494,913 S	*	8/2004	Chapman	D12/196

OTHER PUBLICATIONS

Toyota, RAV4 2002, Brochure of RAV4, Aug. 2002.
GM, Hummer H2, Consumer Reports Sport Utility Special
2003, p. 73.

* cited by examiner

Primary Examiner—Melody N. Brown

(74) *Attorney, Agent, or Firm*—SAIDMAN DesignLaw
Group

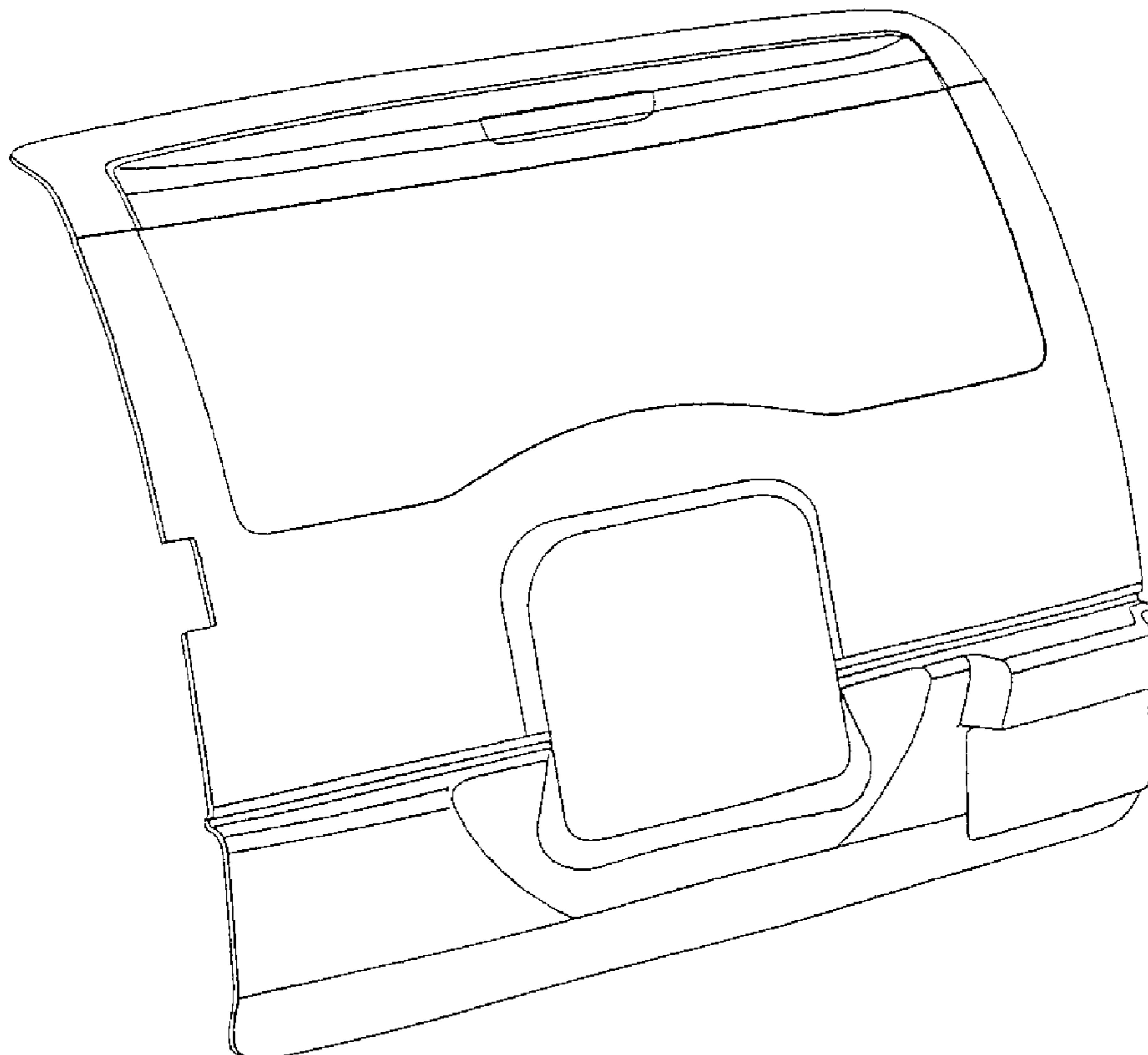
(57) **CLAIM**

The ornamental design for a back door for an automobile, as
shown and described.

DESCRIPTION

FIG. 1 is a perspective view of a back door for an automobile
showing our new design;
FIG. 2 is a front view thereof;
FIG. 3 is a rear view thereof;
FIG. 4 is a top view thereof;
FIG. 5 is a bottom view thereof; and,
FIG. 6 is a right-side view thereof, the left-side view being
a mirror image.

1 Claim, 3 Drawing Sheets



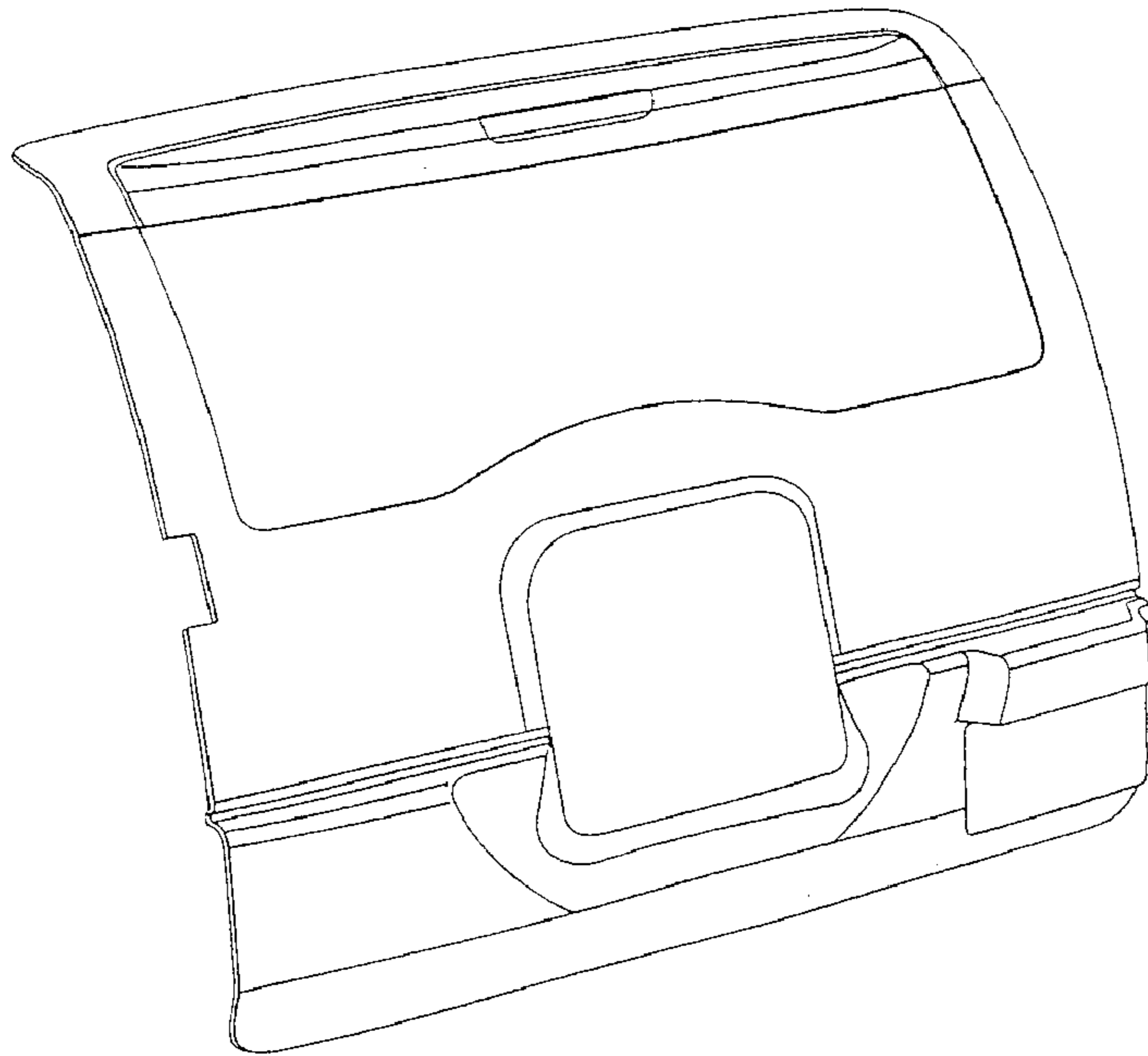


FIG. 1

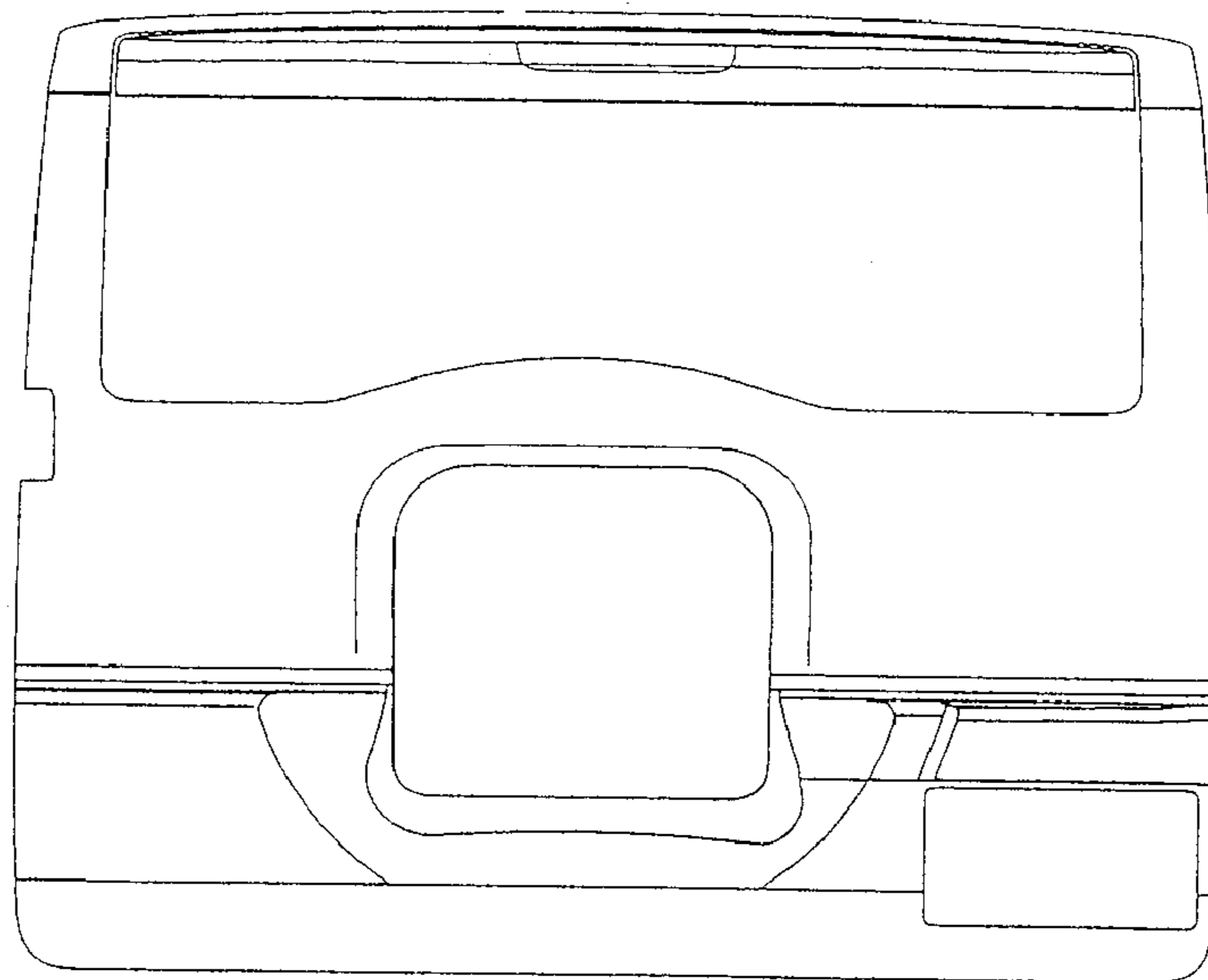


FIG. 2

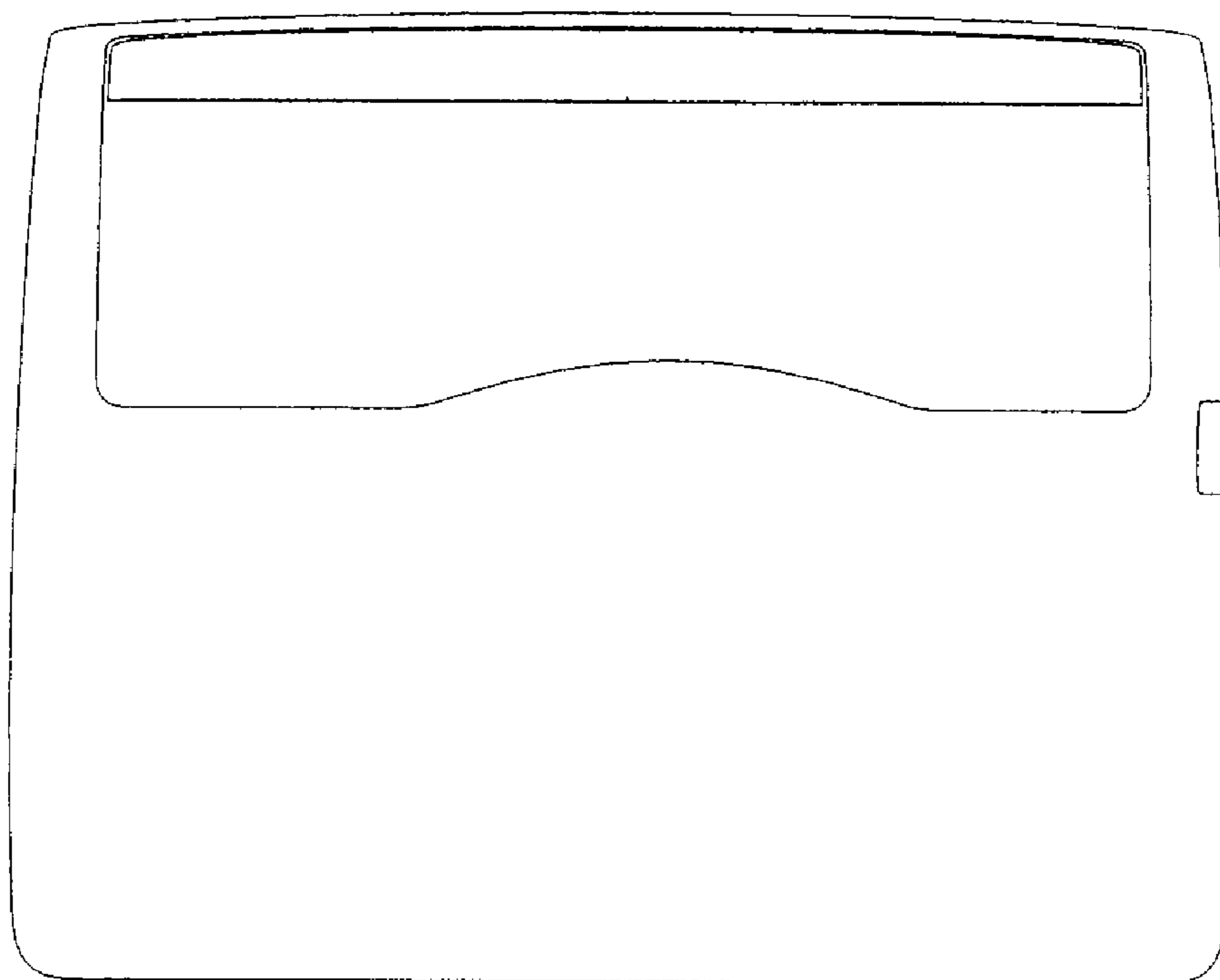


FIG. 3

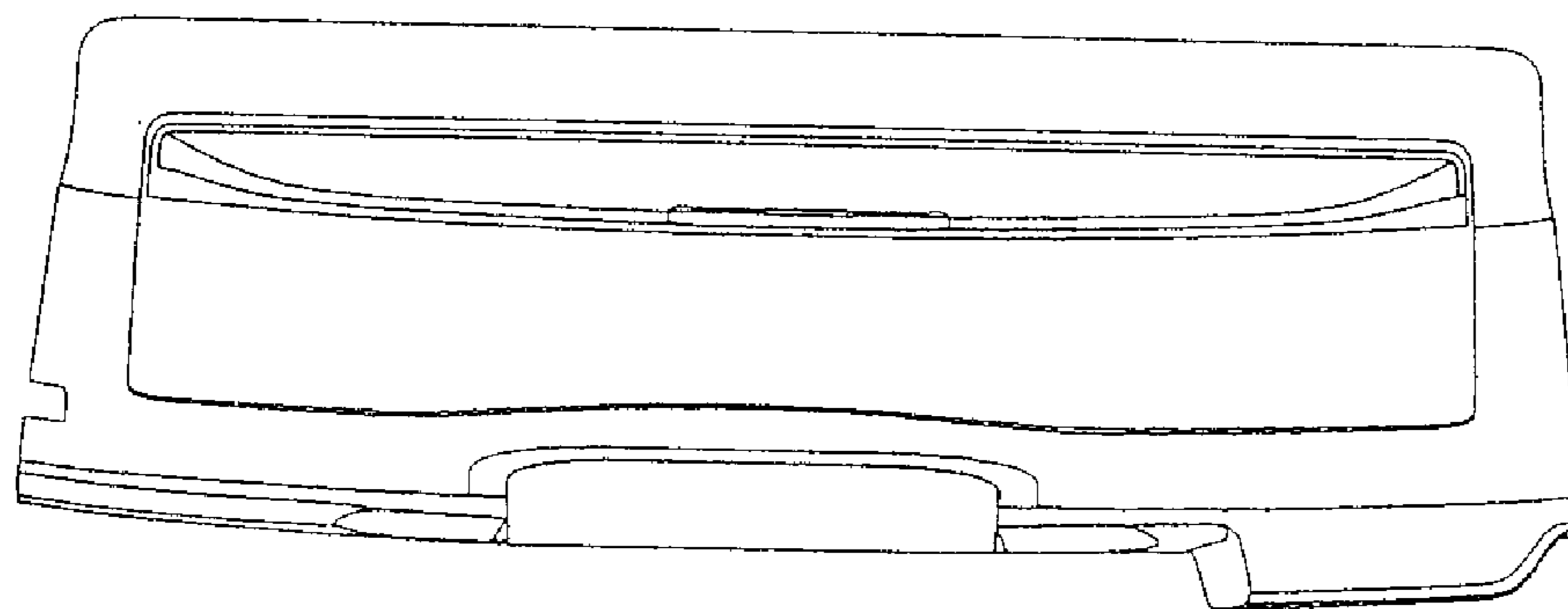


FIG. 4

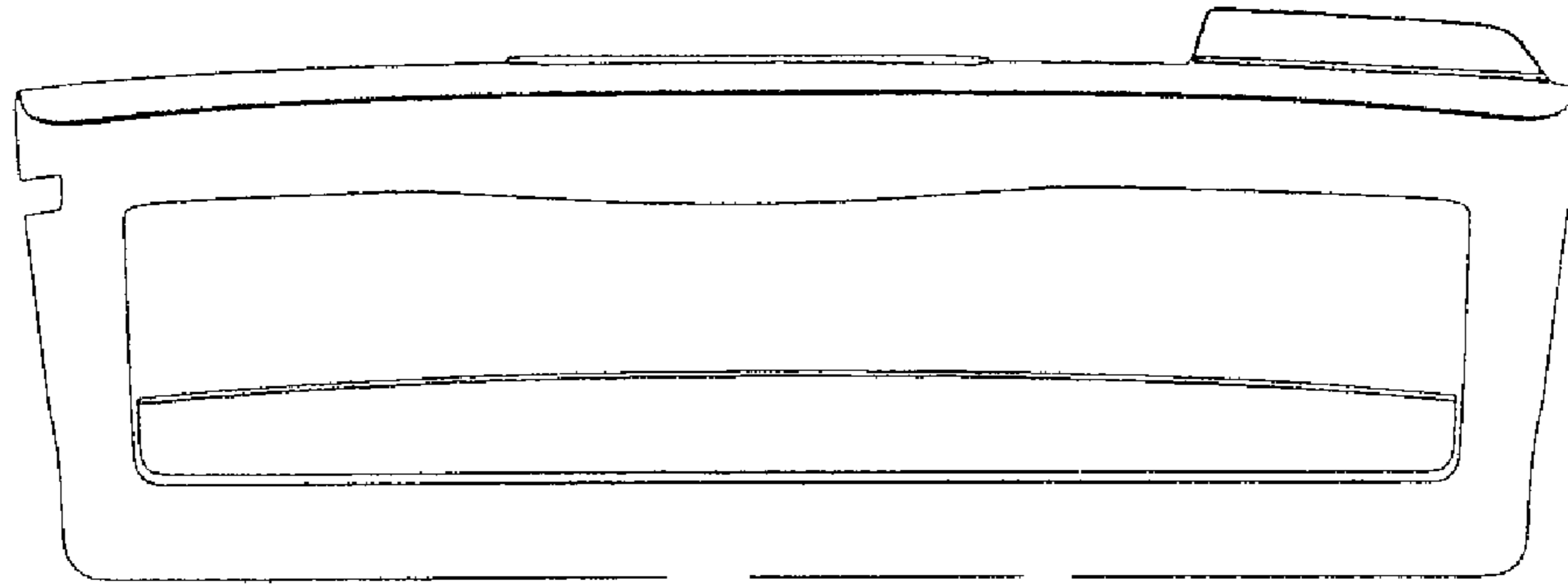


FIG. 5

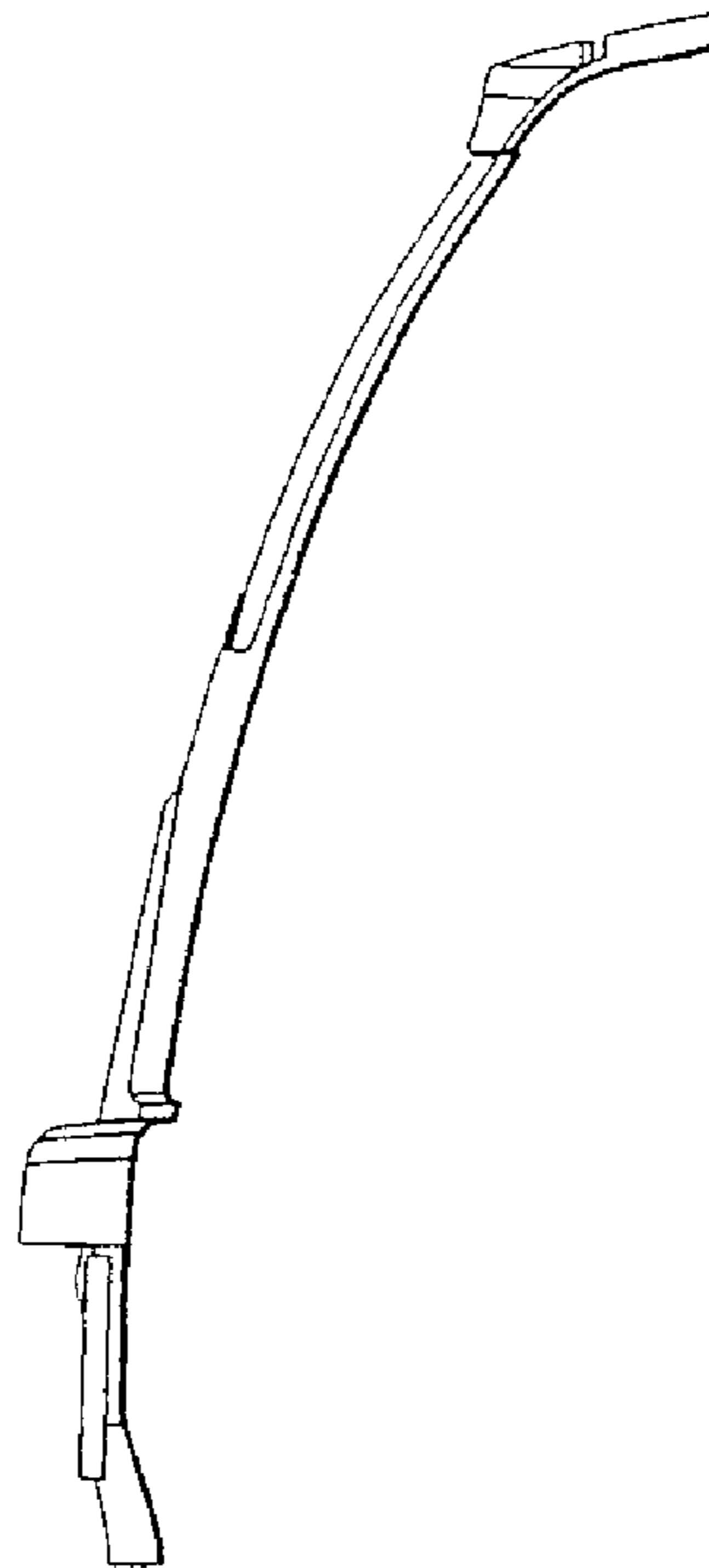


FIG. 6