



US00D520425S

(12) **United States Design Patent**  
**Boyer et al.**

(10) **Patent No.:** **US D520,425 S**

(45) **Date of Patent:** **\*\* May 9, 2006**

(54) **REAR PORTION OF A UTILITY TRUCK BODY**

(75) Inventors: **Thomas J. Boyer**, Wooster, OH (US);  
**Jeffery D. Gorenc**, Median, OH (US);  
**James A. Kraschinsky**, Wooster, OH (US)

(73) Assignee: **Stahl/Scott Fetzer Company**, Wooster, OH (US)

(\*\*) Term: **14 Years**

(21) Appl. No.: **29/202,282**

(22) Filed: **Mar. 29, 2004**

(51) **LOC (8) Cl.** ..... **12-16**

(52) **U.S. Cl.** ..... **D12/196**

(58) **Field of Classification Search** ..... D12/196,  
D12/98, 15, 14; 296/183.1, 21, 24.3, 24.43  
See application file for complete search history.

(56) **References Cited**

**U.S. PATENT DOCUMENTS**

D351,816 S \* 10/1994 Lewellen et al. .... D12/98  
D351,817 S \* 10/1994 Lewellen et al. .... D12/98

D382,834 S \* 8/1997 Perlman et al. .... D12/98  
D385,224 S \* 10/1997 Aros et al. .... D12/98  
D388,756 S \* 1/1998 Perlman et al. .... D12/196  
D414,138 S \* 9/1999 McKinney ..... D12/98  
D414,139 S \* 9/1999 Aros et al. .... D12/98  
D445,387 S \* 7/2001 Waldeck ..... D12/196

\* cited by examiner

*Primary Examiner*—Melody N. Brown

(74) *Attorney, Agent, or Firm*—Pearne & Gordon LLP

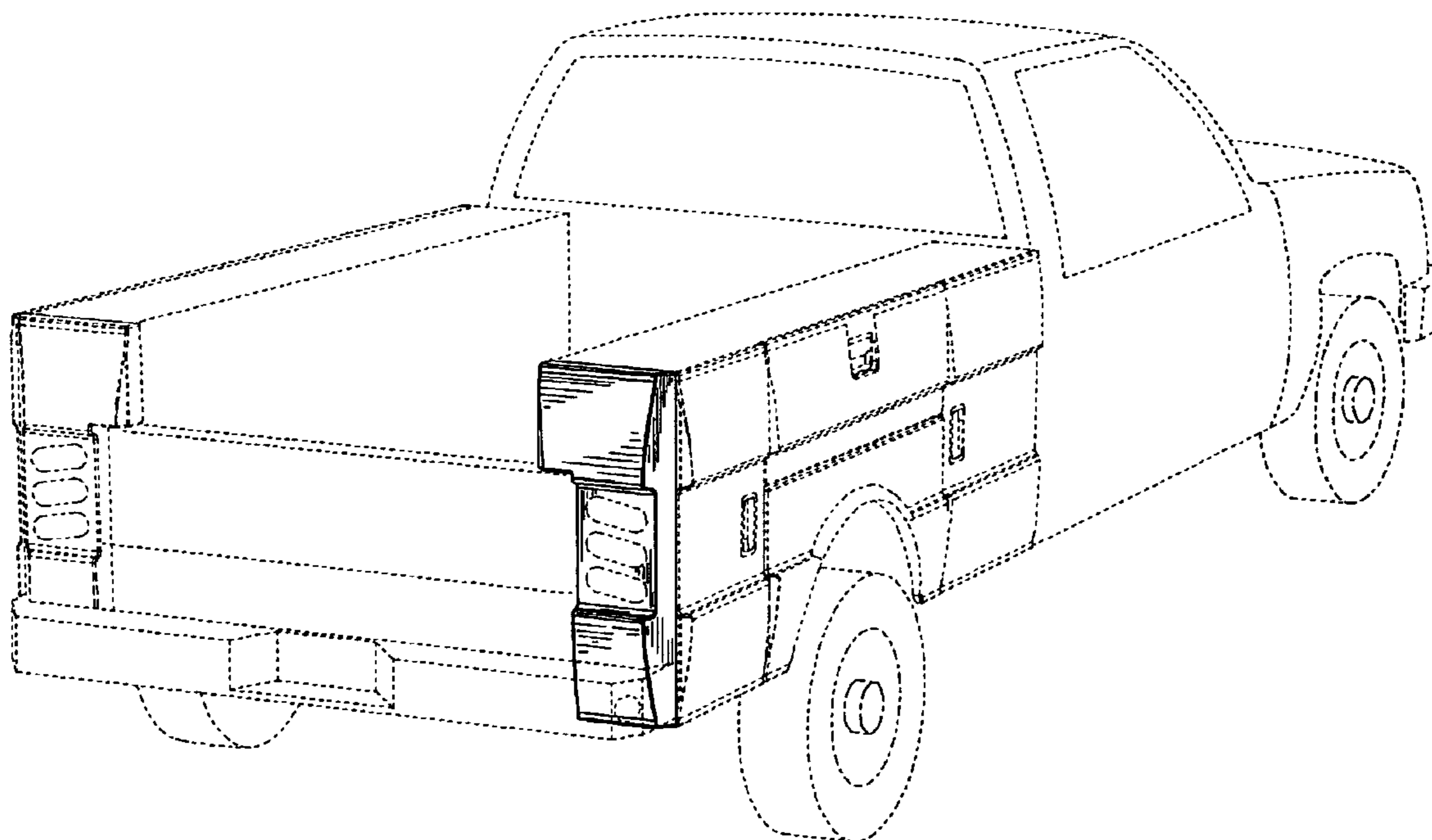
(57) **CLAIM**

The ornamental design for a rear portion of a utility truck body, as shown and described.

**DESCRIPTION**

FIG. 1 is a perspective view of part of a utility truck body showing our new design;  
FIG. 2 is a front elevational view thereof;  
FIG. 3 is a left side elevational view thereof;  
FIG. 4 is a right side elevational view thereof;  
FIG. 5 is a top plan view thereof; and,  
FIG. 6 is a bottom plan view thereof.  
The broken lines shown are for illustrative purposes only and form no part of the claimed design.

**1 Claim, 2 Drawing Sheets**



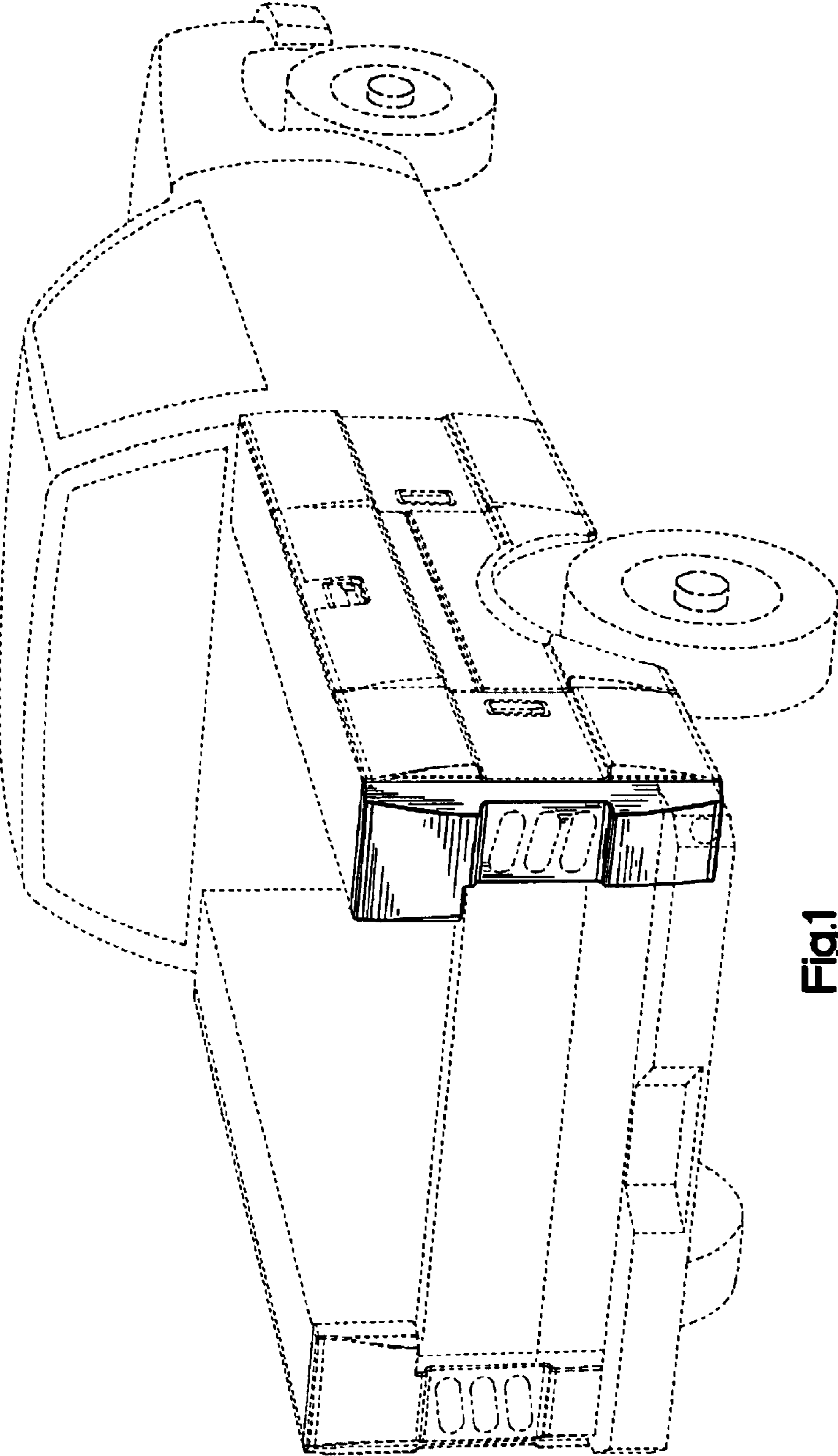


Fig.1

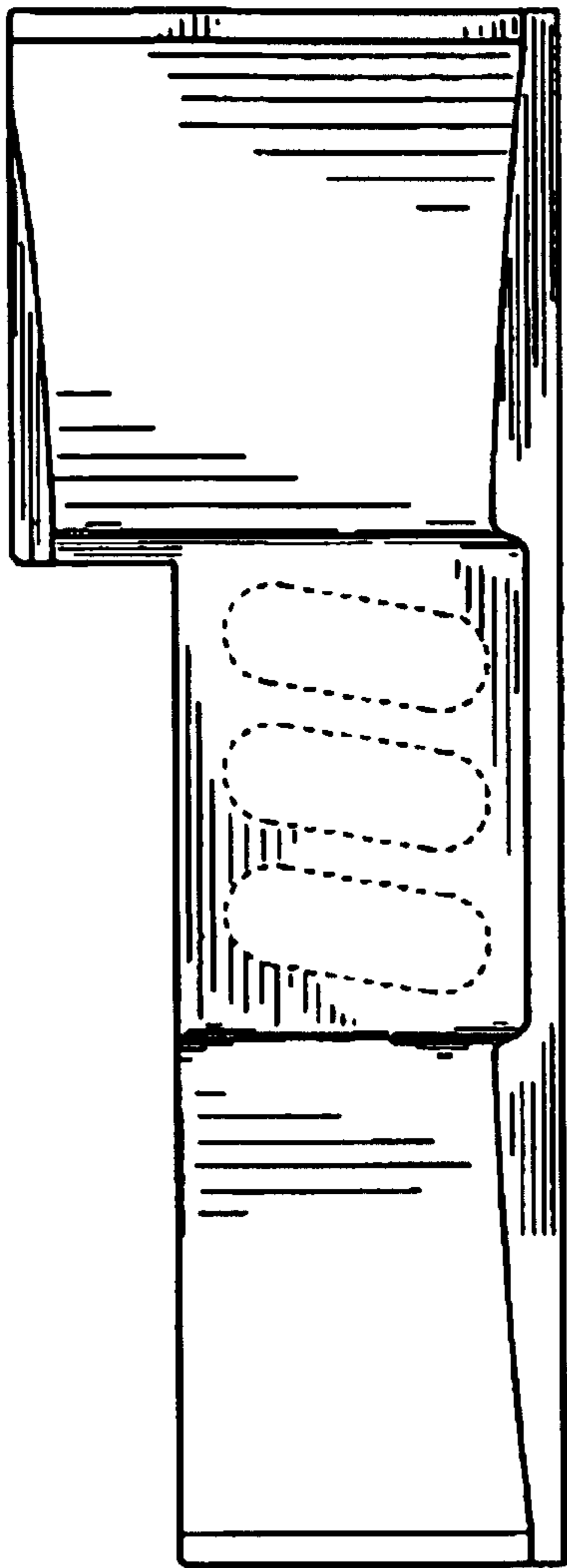


Fig.2



Fig.3



Fig.4

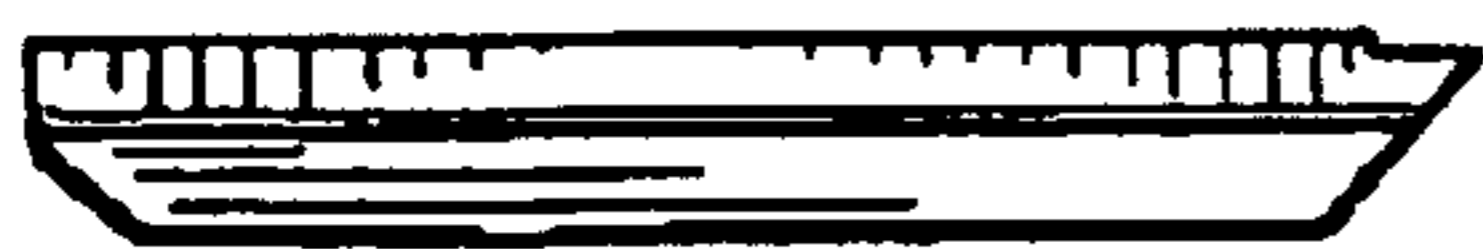


Fig.5

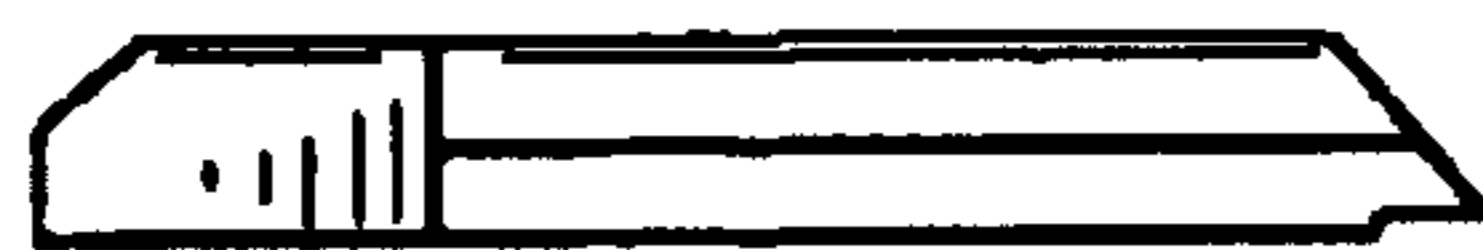


Fig.6