



US00D520420S

(12) **United States Design Patent**
Woods

(10) **Patent No.:** **US D520,420 S**

(45) **Date of Patent:** **** May 9, 2006**

(54) **WIND SPOILER FOR A TONNEAU COVER**

D495,637 S 9/2004 Iwata
D503,666 S 4/2005 Iwata

(76) Inventor: **Solomon Woods**, 11476 Newgate La.,
Cincinnati, OH (US) 45240

* cited by examiner

(**) Term: **14 Years**

Primary Examiner—Stacia Cadmus

(74) *Attorney, Agent, or Firm*—Charles R. Wilson

(21) Appl. No.: **29/239,040**

(57) **CLAIM**

(22) Filed: **Sep. 26, 2005**

The ornamental design for a wind spoiler for a tonneau cover, as shown and described.

(51) **LOC (8) Cl.** **12-08**

(52) **U.S. Cl.** **D12/181**

(58) **Field of Classification Search** D12/181,
D12/191, 196, 400, 190; 280/727, 770, 848;
296/180.1–180.5, 91, 136.03; 180/903; D8/315,
D8/317

See application file for complete search history.

DESCRIPTION

FIG. 1 is a perspective view of a wind spoiler mounted to a tonneau cover to show the environment in which the wind spoiler is associated.

FIG. 2 is an enlarged perspective view of the wind spoiler of FIG. 1.

FIG. 3 is an elevational back view of the wind spoiler of FIG. 2.

FIG. 4 is an elevational front view of the wind spoiler of FIG. 2.

FIG. 5 is an elevational side view of the wind spoiler of FIG. 2.

FIG. 6 is an elevational opposed side view of the wind spoiler of FIG. 2.

FIG. 7 is a top plan view of the wind spoiler of FIG. 2; and, FIG. 8 is a bottom plan view of the wind spoiler of FIG. 2.

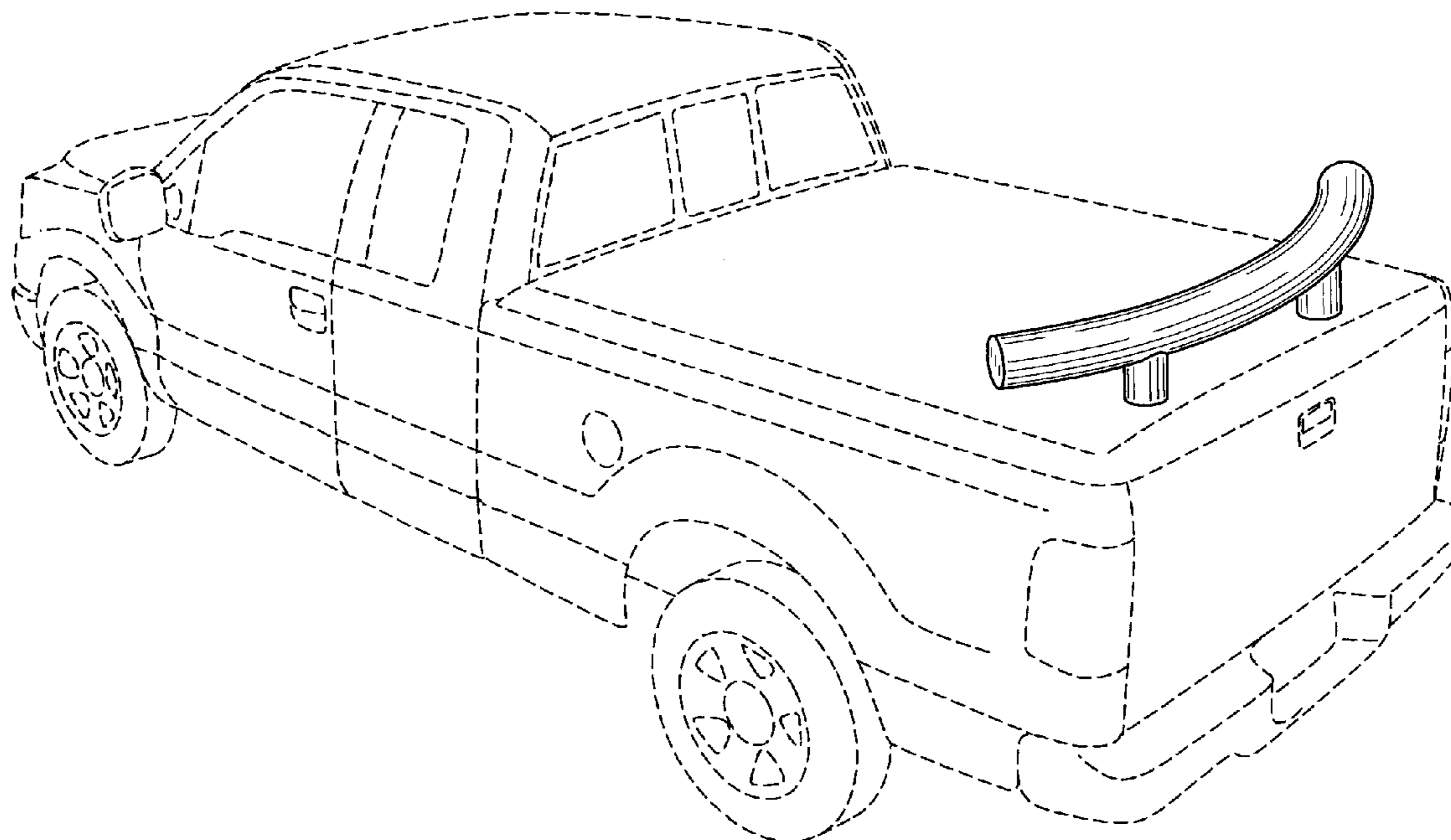
The broken line showing of a pickup truck with a tonneau cover positioned over a truck bed is for illustrative purposes only and forms no part of the claimed design.

(56) **References Cited**

U.S. PATENT DOCUMENTS

D271,191 S	11/1983	Amprim et al.	
D291,076 S	7/1987	Kawaguchi et al.	
D291,978 S	* 9/1987	Parr et al.	D12/181
D320,973 S	10/1991	Ichinose	
5,076,636 A	* 12/1991	Buck et al.	296/180.1
D325,187 S	* 4/1992	Messmore et al.	D12/181
D360,395 S	* 7/1995	Almen	D12/181
D427,126 S	* 6/2000	Won et al.	D12/181
D436,905 S	* 1/2001	Bhambra	D12/181
D445,742 S	* 7/2001	Tampi	D12/181
6,293,613 B1	9/2001	Choi	
D487,040 S	2/2004	Iwata	
D495,636 S	9/2004	Iwata	

1 Claim, 5 Drawing Sheets



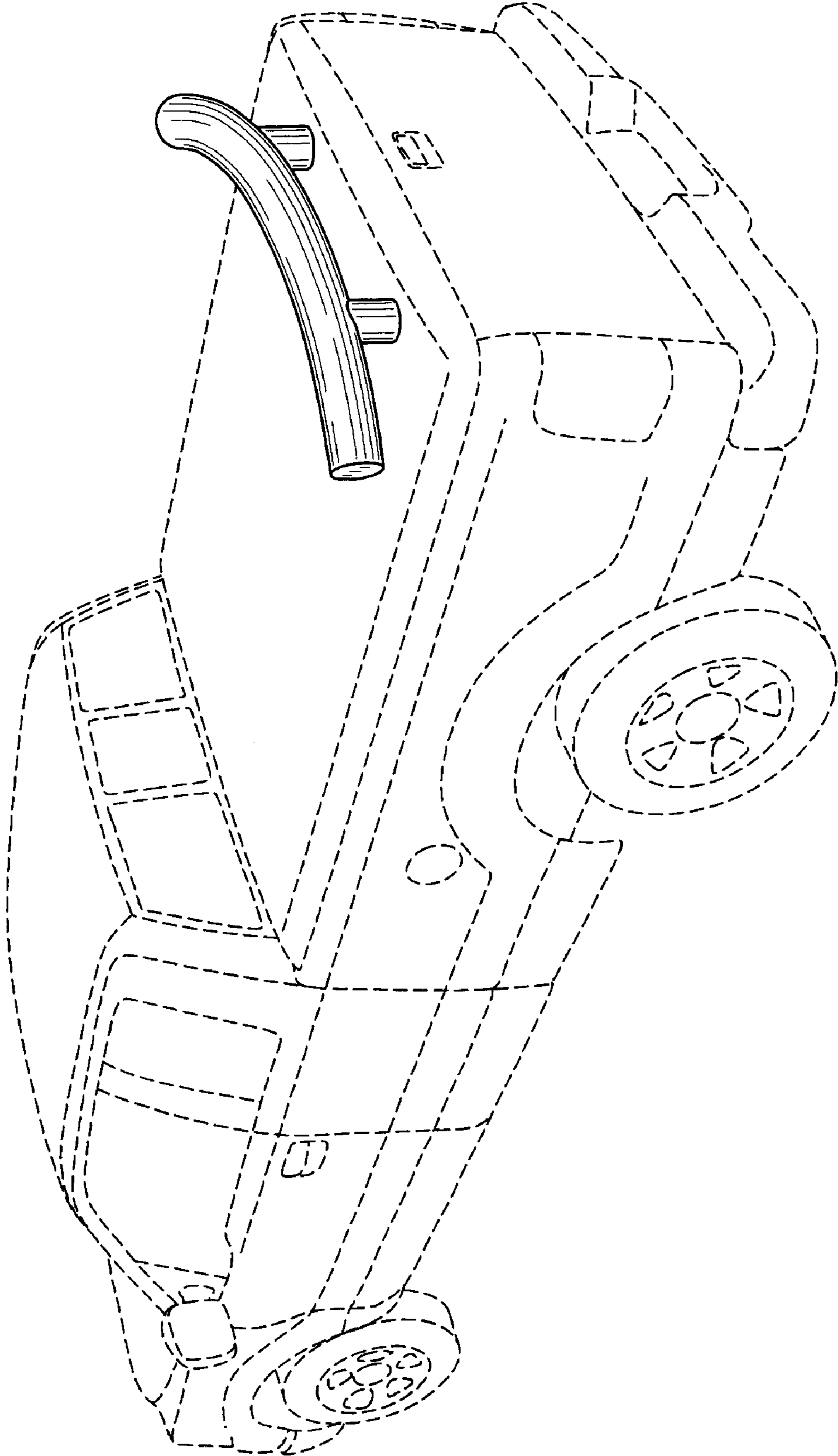


FIG. 1

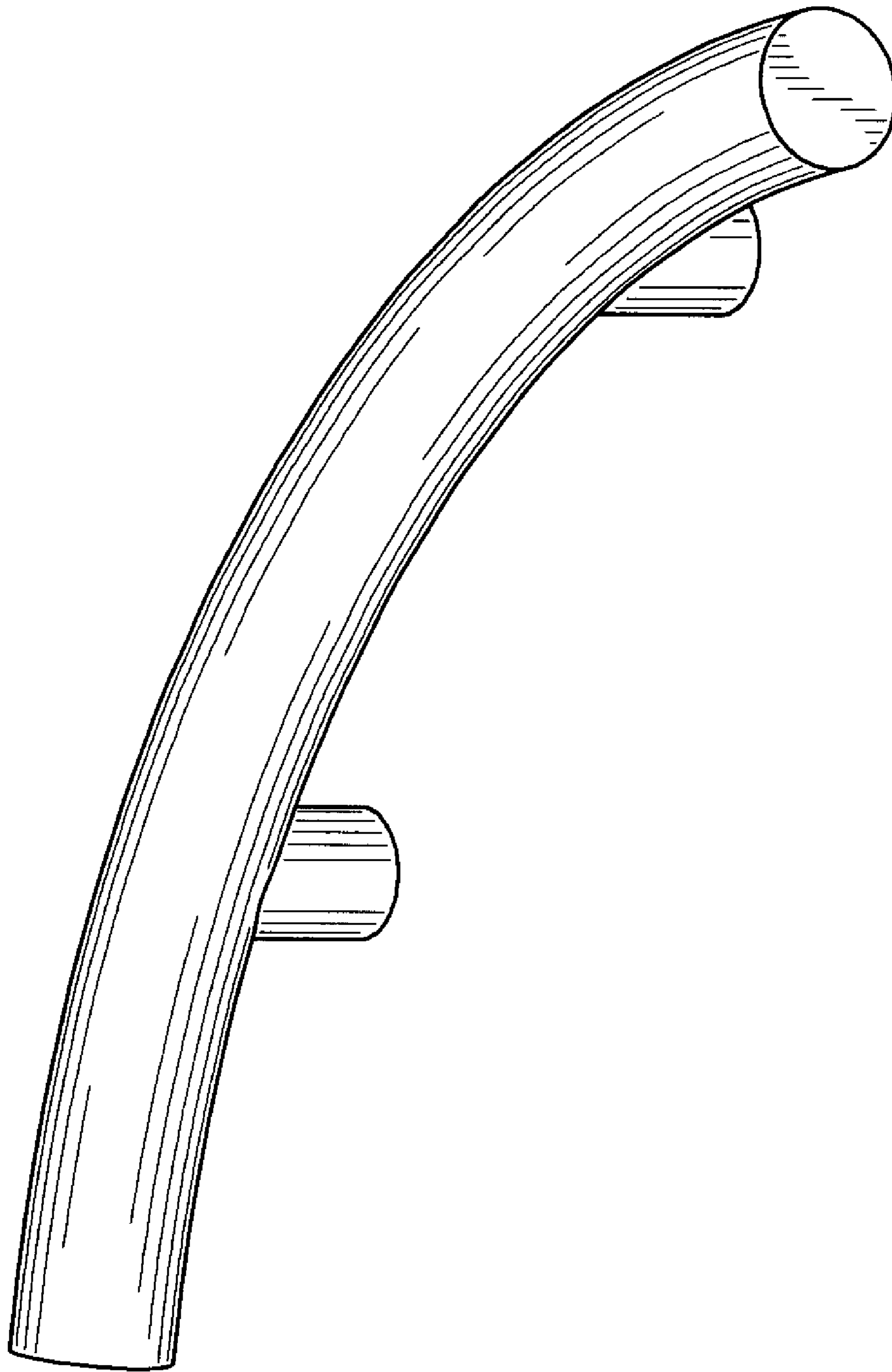


FIG. 2



FIG. 3



FIG. 4

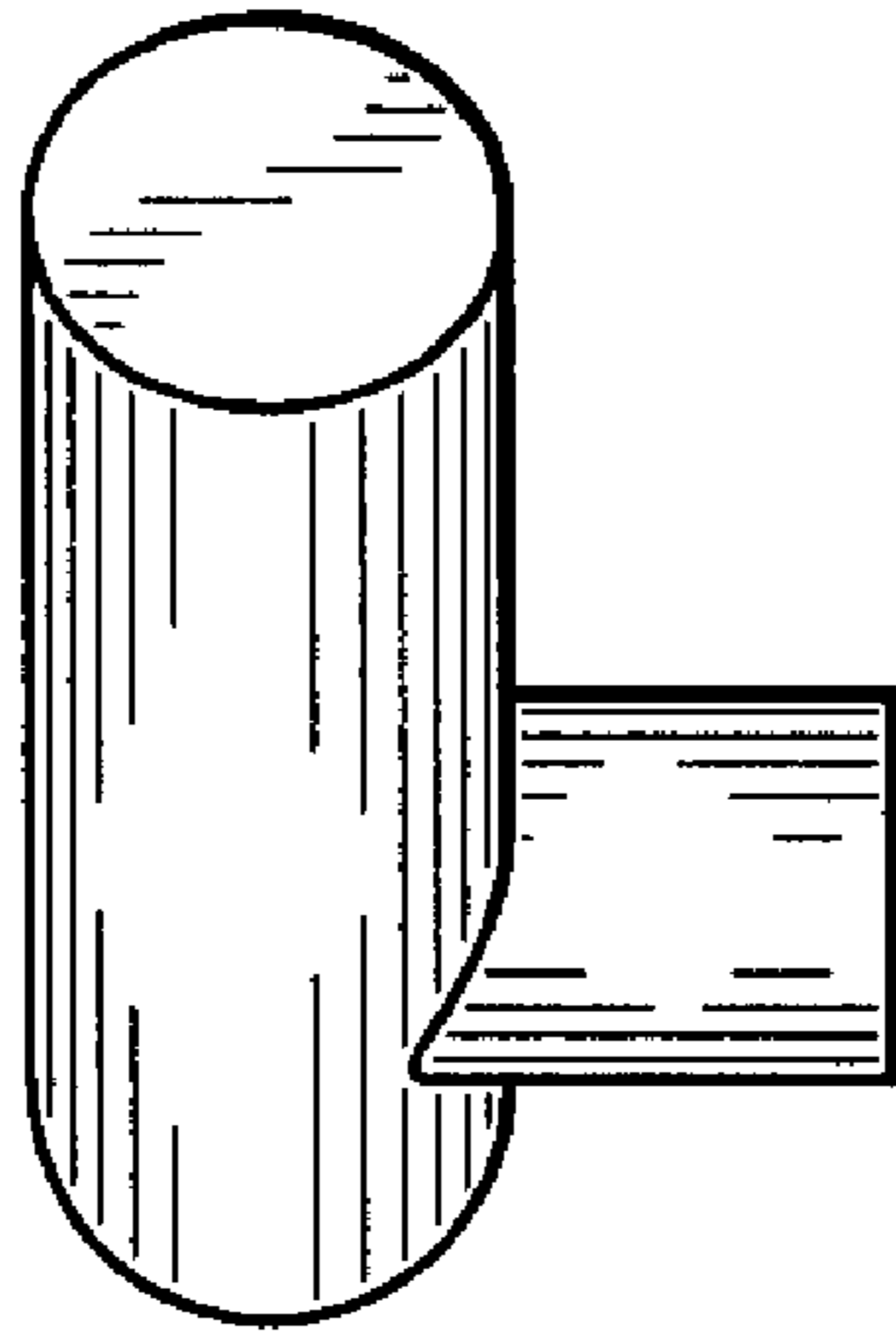


FIG. 6

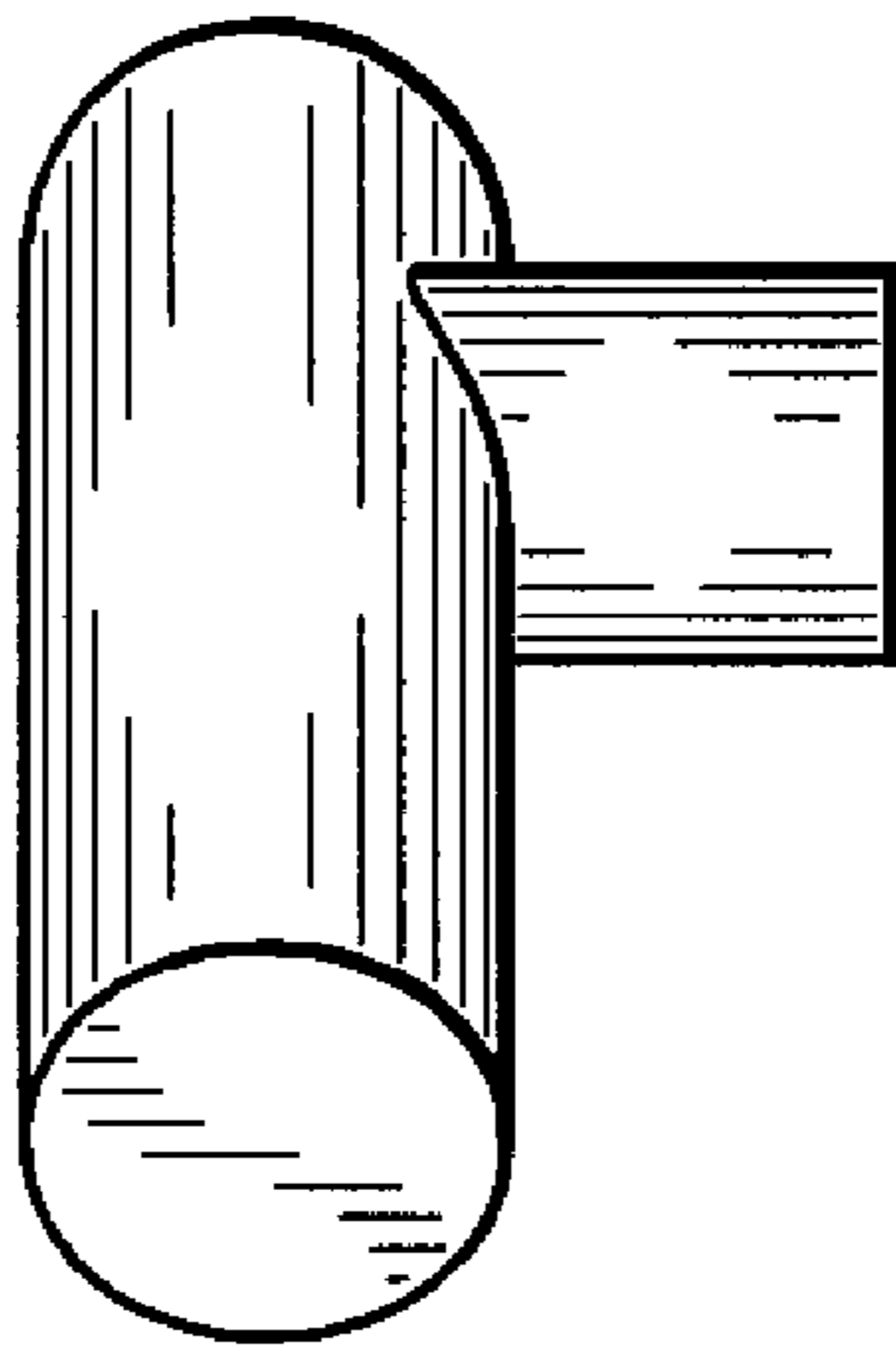


FIG. 5

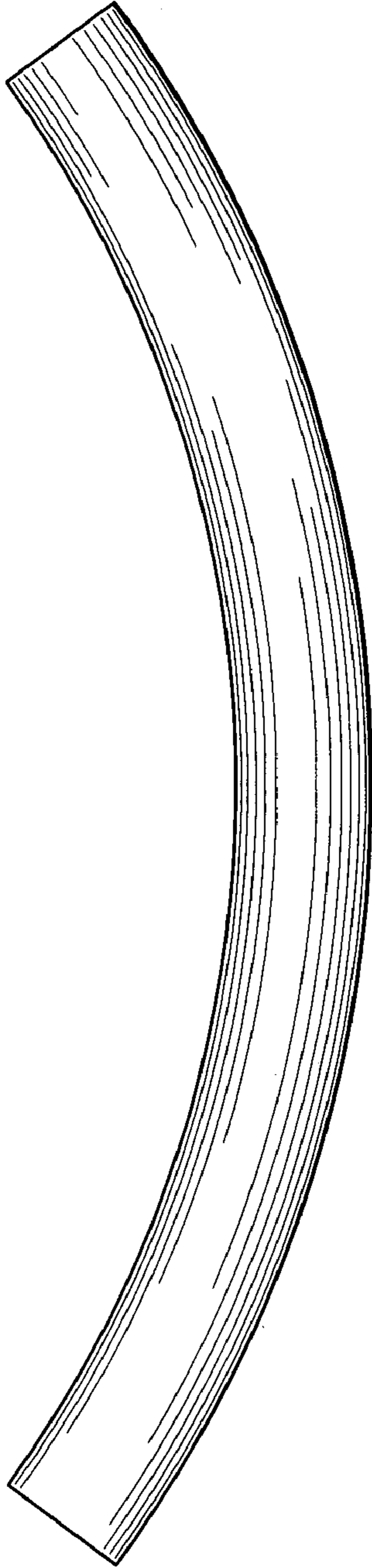


FIG. 7

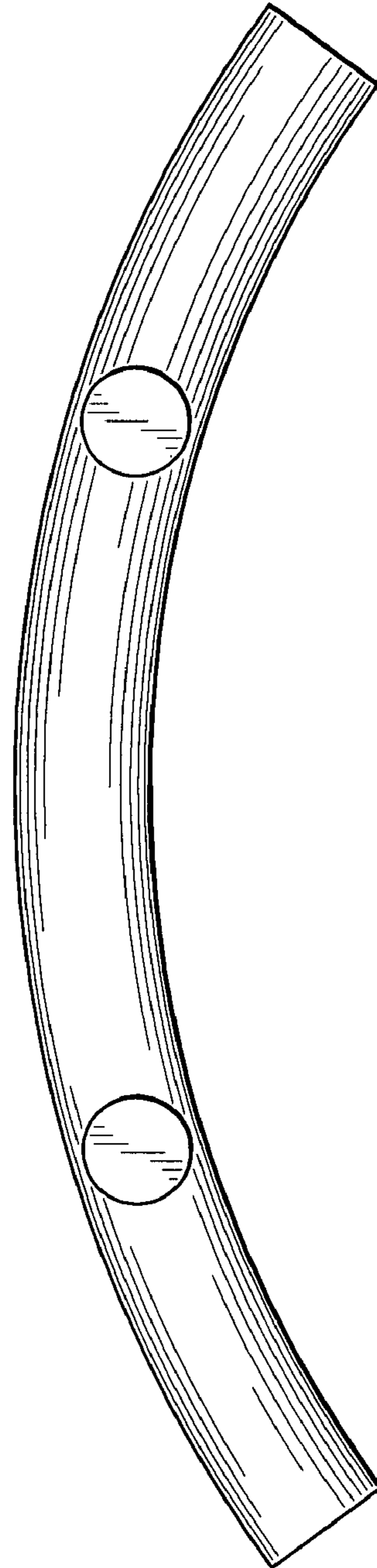


FIG. 8