



US00D520416S

(12) **United States Design Patent**
Tomida et al.

(10) **Patent No.:** **US D520,416 S**
(45) **Date of Patent:** **** May 9, 2006**

(54) **FRONT GRILLE FOR AN AUTOMOBILE**

D506,420 S * 6/2005 Wu D12/163

(75) Inventors: **Kenji Tomida**, Aichi-ken (JP); **Hideo Kouyama**, Aichi-ken (JP); **Koichi Sumigama**, Aichi-ken (JP); **Saburo Hazumi**, Aichi-ken (JP)

OTHER PUBLICATIONS

Toyota, Corolla 2004, Brochure of Corolla, Apr. 2004.

* cited by examiner

(73) Assignee: **Toyota Jidosha Kabushiki Kaisha** (JP)

Primary Examiner—Melody N. Brown

(**) Term: **14 Years**

(74) *Attorney, Agent, or Firm*—SAIDMAN DesignLaw Group

(21) Appl. No.: **29/218,964**

(57) **CLAIM**

(22) Filed: **Dec. 9, 2004**

The ornamental design for a front grille for an automobile, as shown and described.

(51) **LOC (8) Cl.** **12-16**

(52) **U.S. Cl.** **D12/163**

(58) **Field of Classification Search** D12/163,
D12/171, 90-92, 216, 169, 196; 180/68.1,
180/68.6; 296/193.1

DESCRIPTION

See application file for complete search history.

FIG. 1 is a front perspective view of a front grille for an automobile showing our new design;

FIG. 2 is a front view thereof;

FIG. 3 is a right-side view thereof, with the left-side view being a mirror image; and,

FIG. 4 is a top view thereof.

The black piece with the four holes in the center of FIGS. 1, 2 and 4 forms no part of the claimed design.

(56) **References Cited**

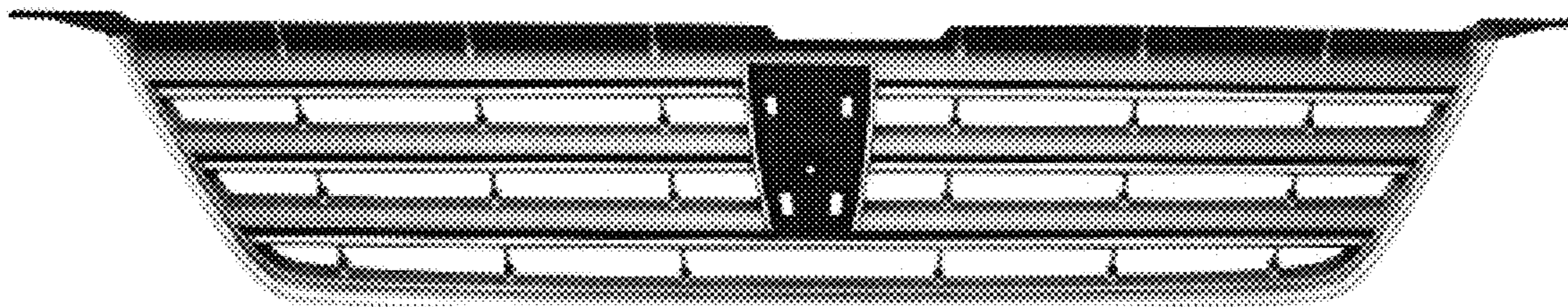
U.S. PATENT DOCUMENTS

D491,118 S * 6/2004 Matsumoto et al. D12/163

D498,187 S * 11/2004 Platto et al. D12/163

D505,099 S * 5/2005 Suzuki D12/163

1 Claim, 1 Drawing Sheet



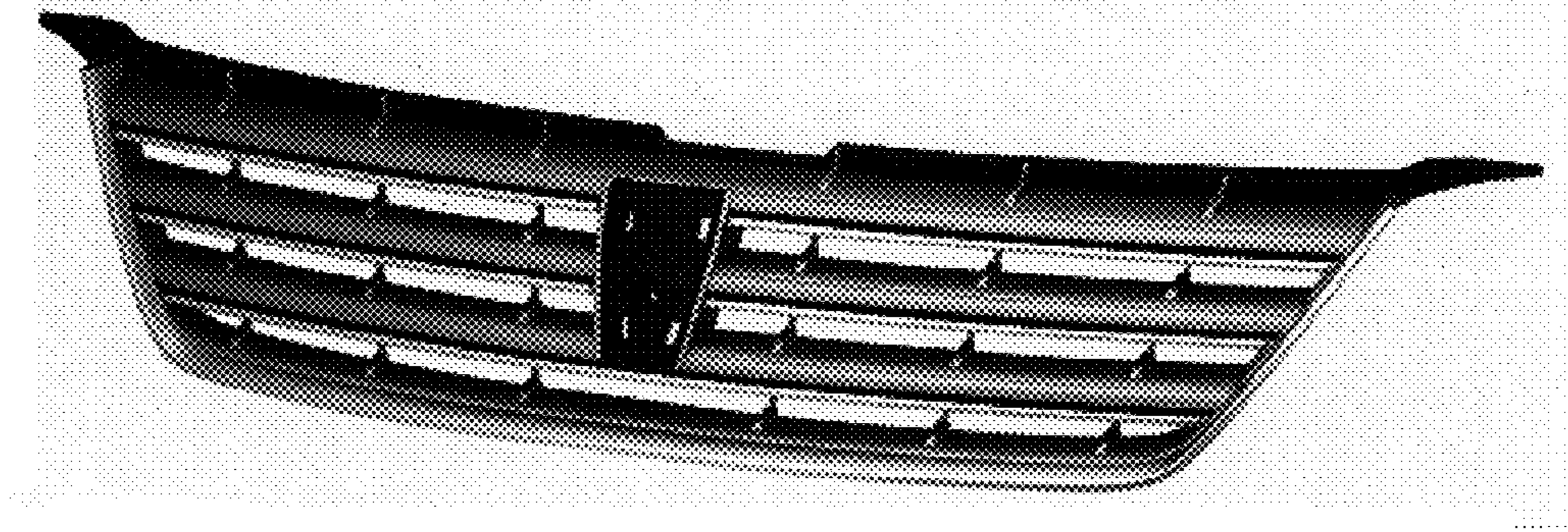


FIG. 1

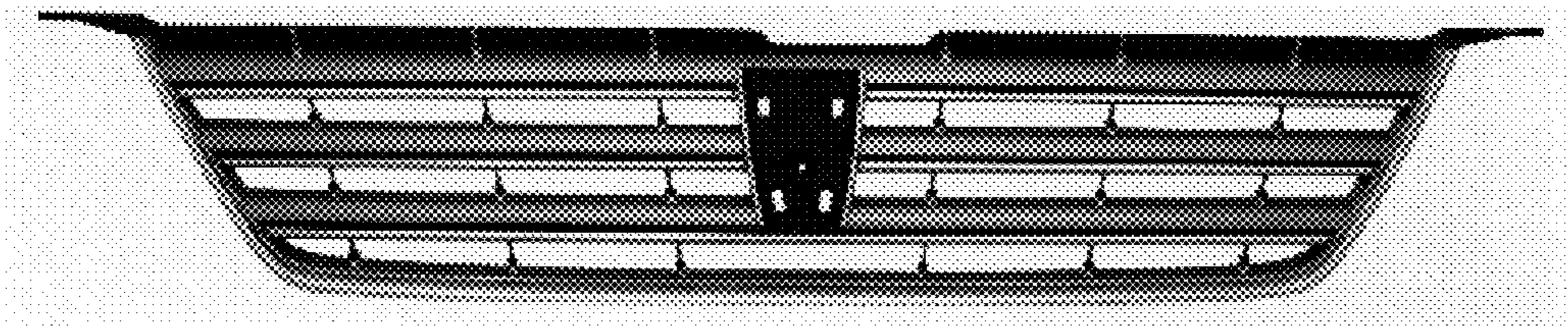


FIG. 2

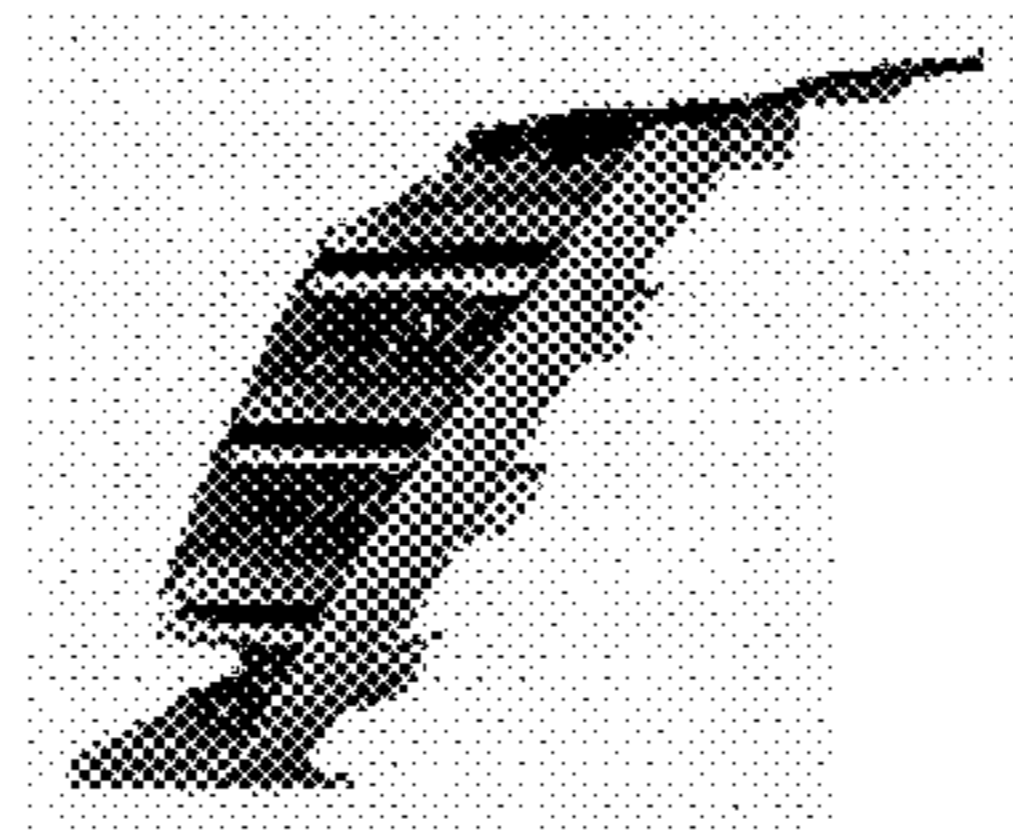


FIG. 3

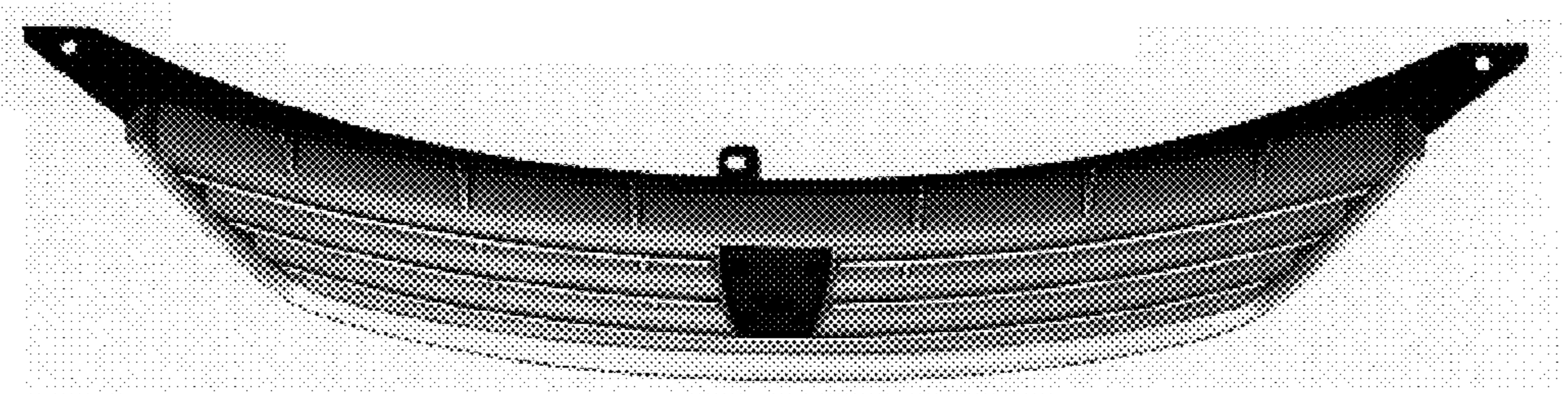


FIG. 4