



US00D520415S

(12) **United States Design Patent**
Liu

(10) **Patent No.:** **US D520,415 S**

(45) **Date of Patent:** **** May 9, 2006**

(54) **BABY CART**

D498,714 S * 11/2004 Chou D12/129
D506,418 S * 6/2005 Liao D12/129

(76) Inventor: **Ssu-Liu Liu**, 2F., No. 44, Lane 11,
Kuang Fu N. Rd., Taipei (TW)

* cited by examiner

(**) Term: **14 Years**

Primary Examiner—Marcus A. Jackson
(74) *Attorney, Agent, or Firm*—Troxell Law Office, PLLC

(21) Appl. No.: **29/225,956**

(57) **CLAIM**

(22) Filed: **Mar. 23, 2005**

The ornamental design for baby cart, as shown and described.

(51) **LOC (8) Cl.** **12-12**

(52) **U.S. Cl.** **D12/129**

(58) **Field of Classification Search** D12/128–133;
280/36, 38, 42, 47, 62, 641, 642, 643, 650,
280/658

See application file for complete search history.

DESCRIPTION

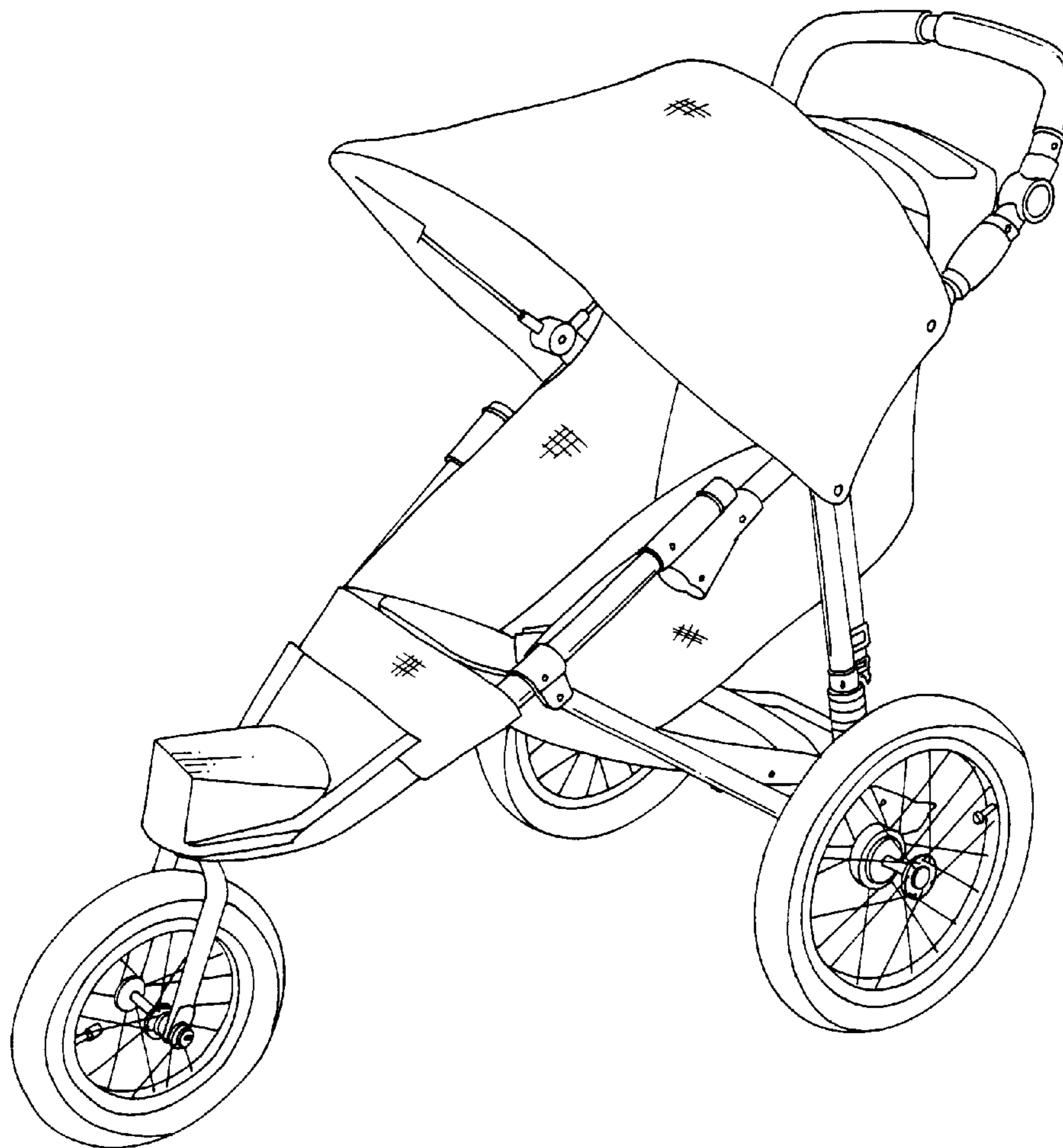
FIG. 1 is a perspective view of a baby cart showing my new design;
FIG. 2 is a front elevational view thereof;
FIG. 3 is a rear elevational view thereof;
FIG. 4 is a top plan view thereof;
FIG. 5 is a bottom plan view thereof;
FIG. 6 is a left side elevational view thereof;
FIG. 7 is a right side elevational view thereof; and,
FIG. 8 is a rear perspective view thereof.

(56) **References Cited**

U.S. PATENT DOCUMENTS

D426,176 S * 6/2000 Sutherland et al. D12/129
D452,197 S * 12/2001 Martin et al. D12/133
D481,976 S * 11/2003 Everett D12/129

1 Claim, 8 Drawing Sheets



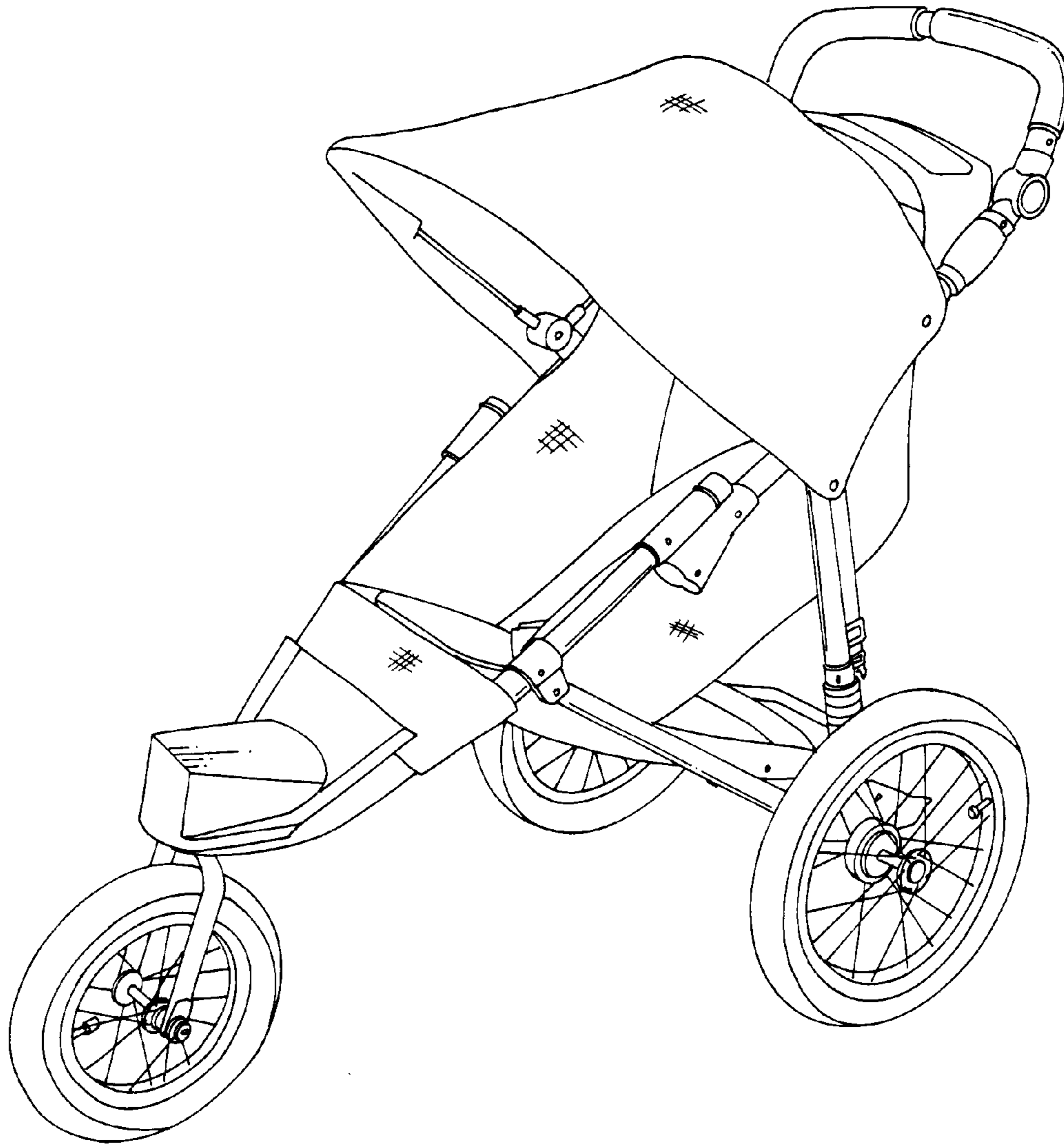


Fig. 1

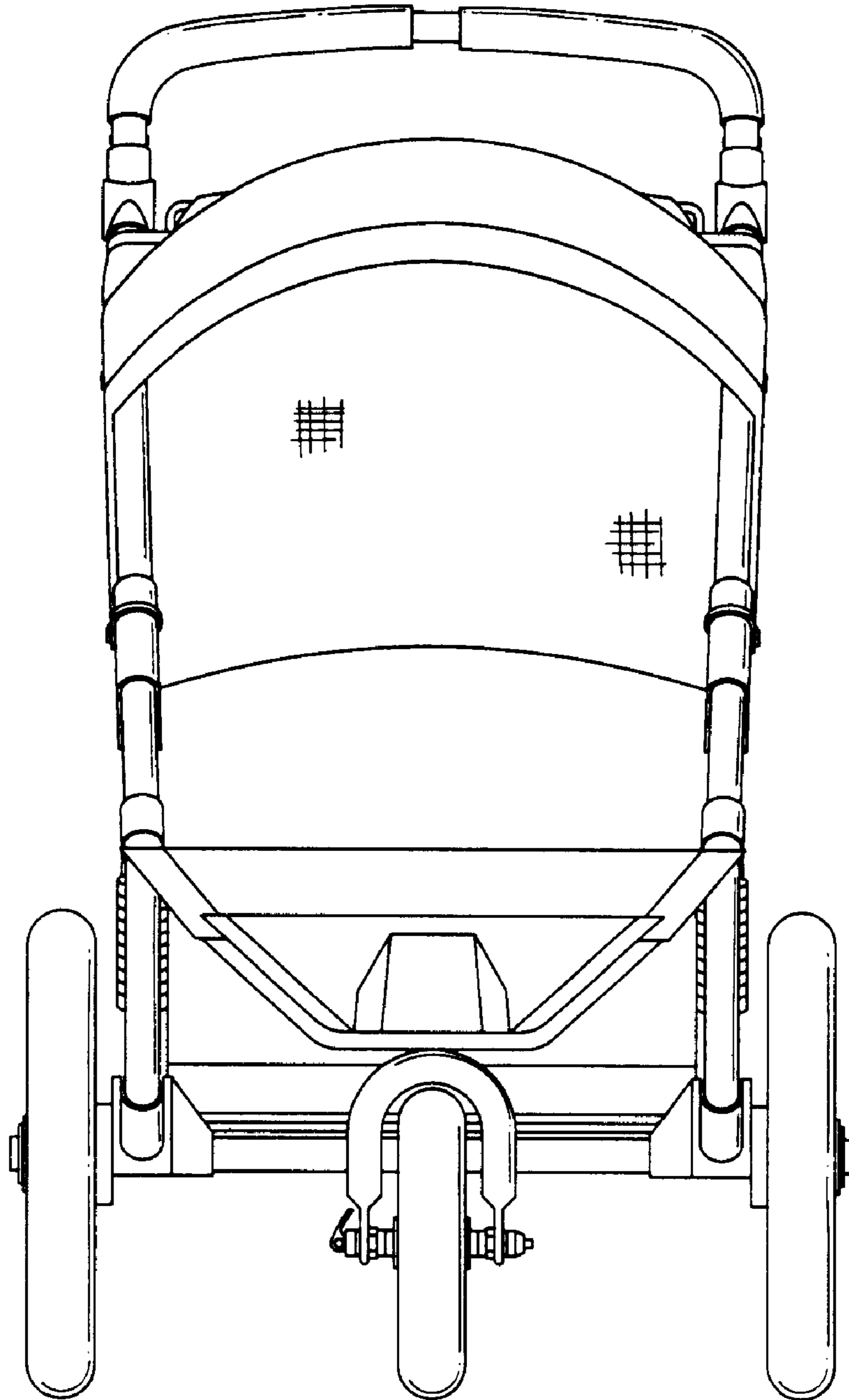


Fig. 2

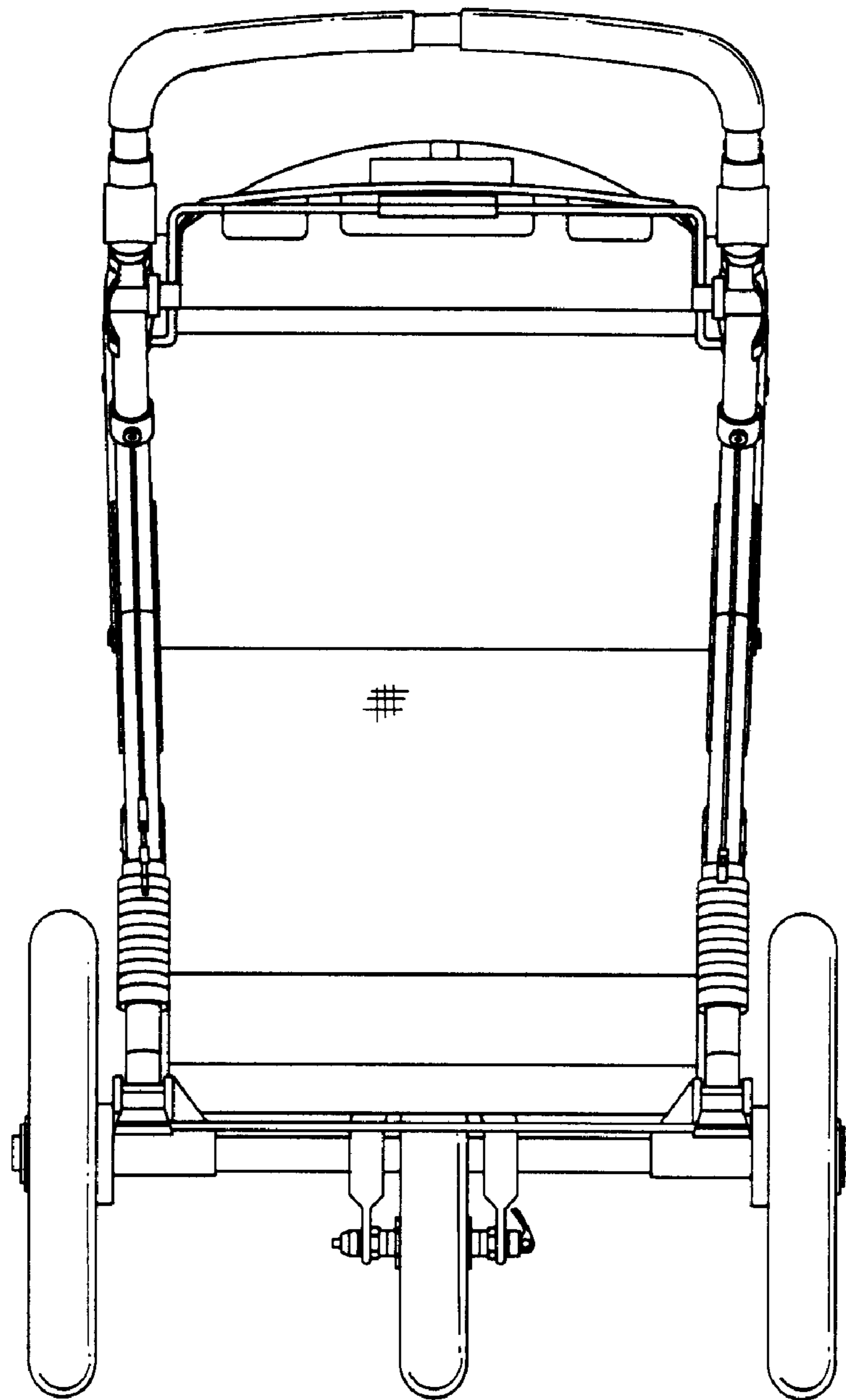


Fig. 3

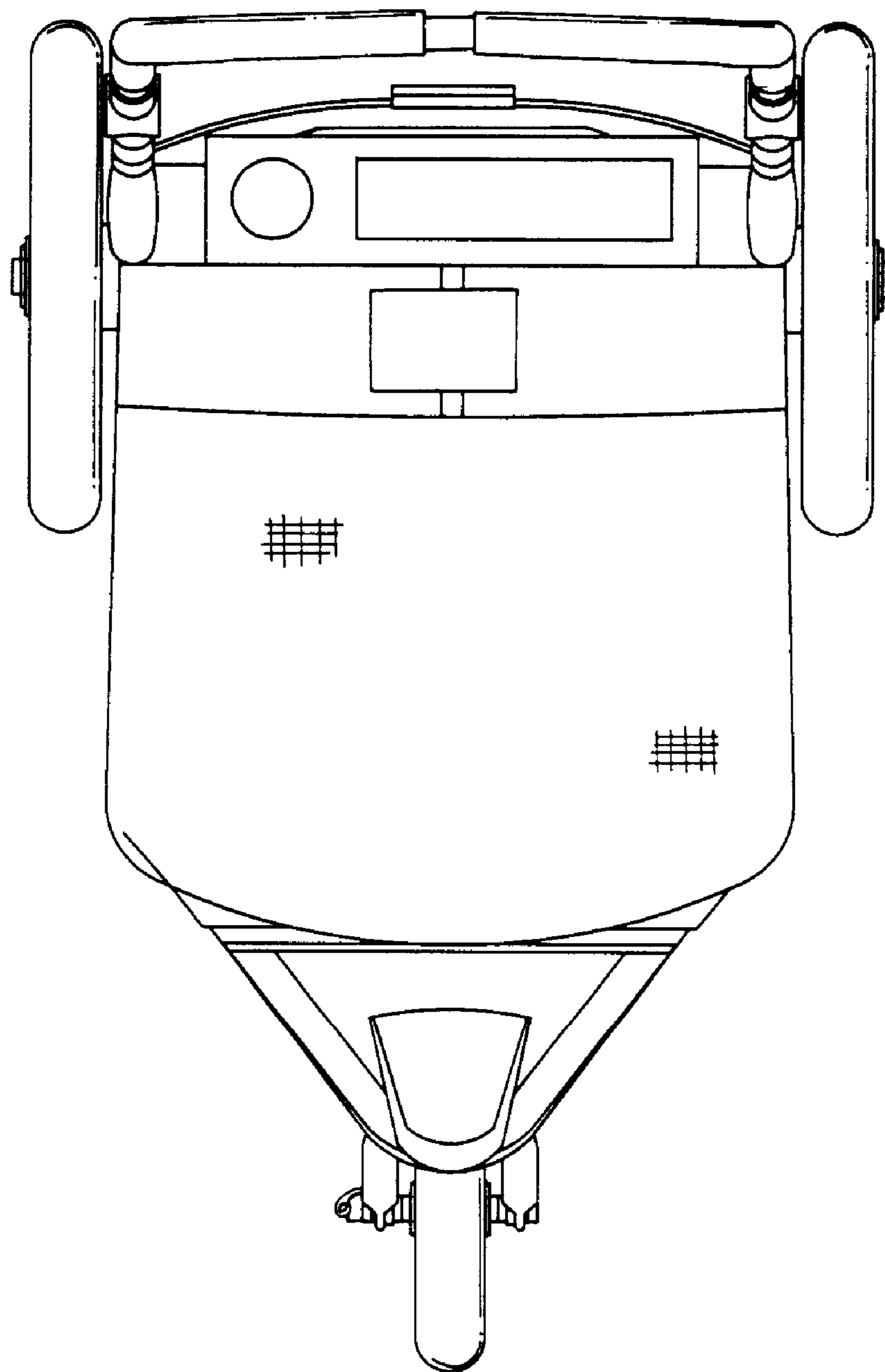


Fig. 4

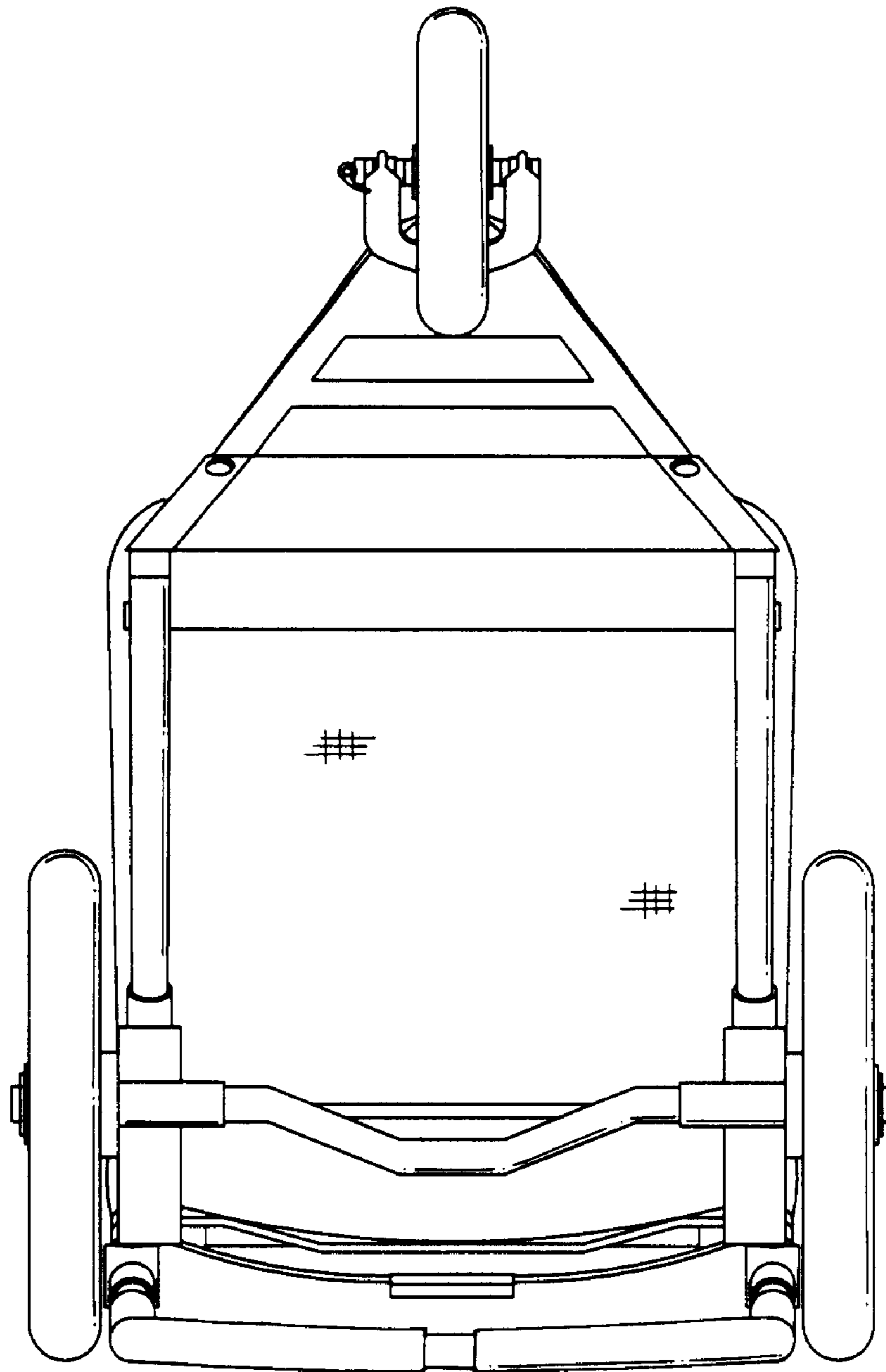


Fig. 5

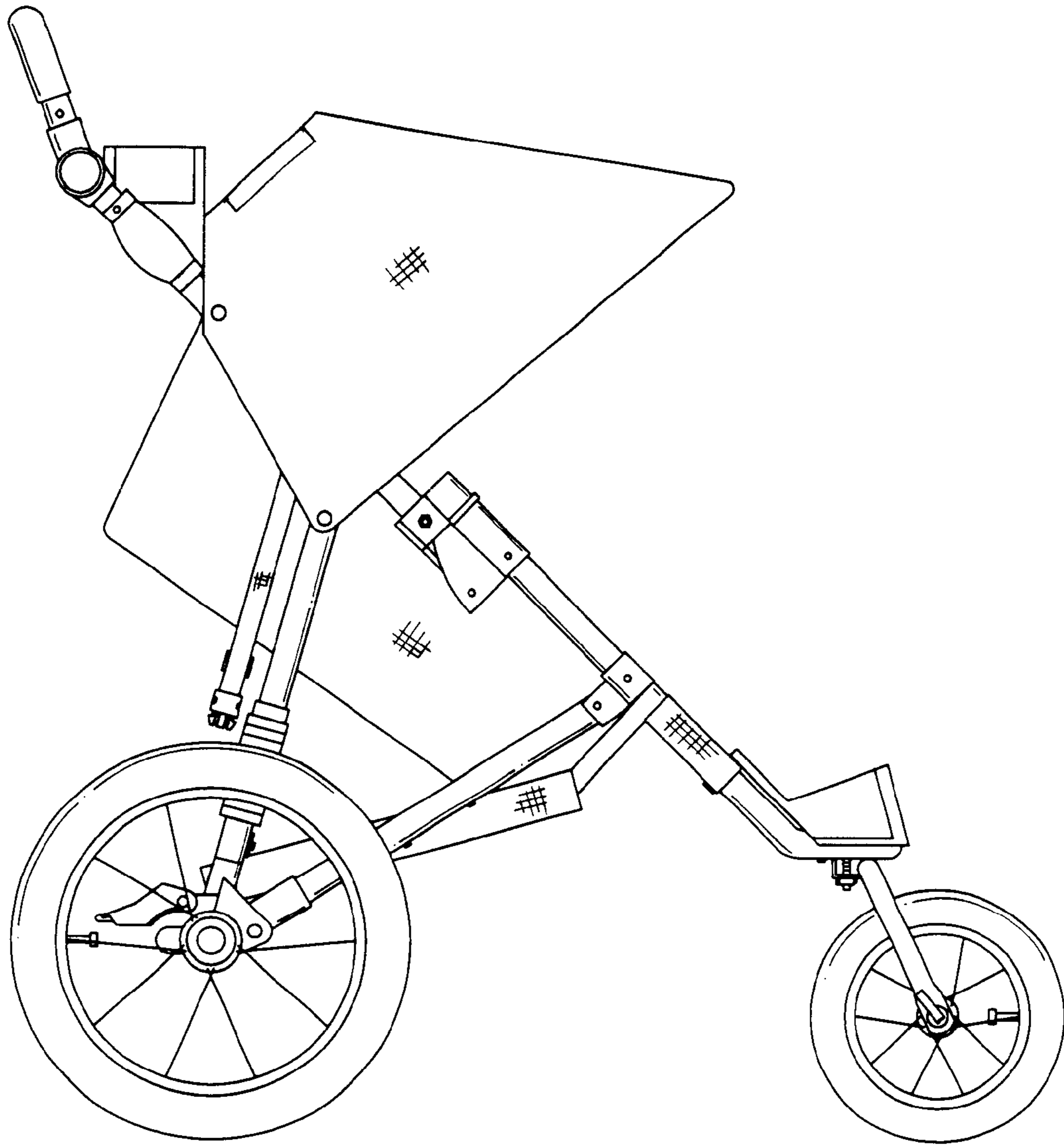


Fig.6

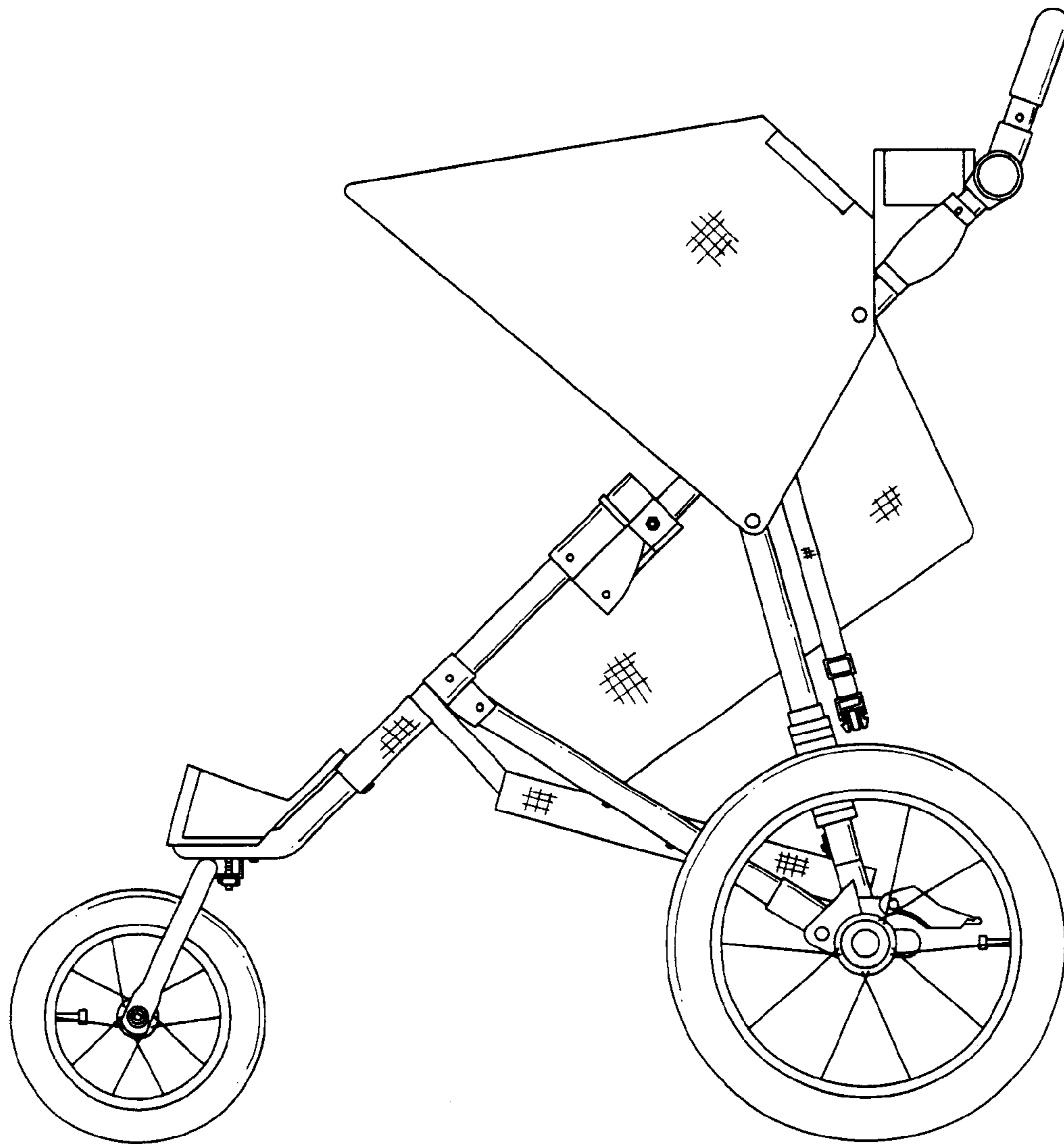


Fig. 7

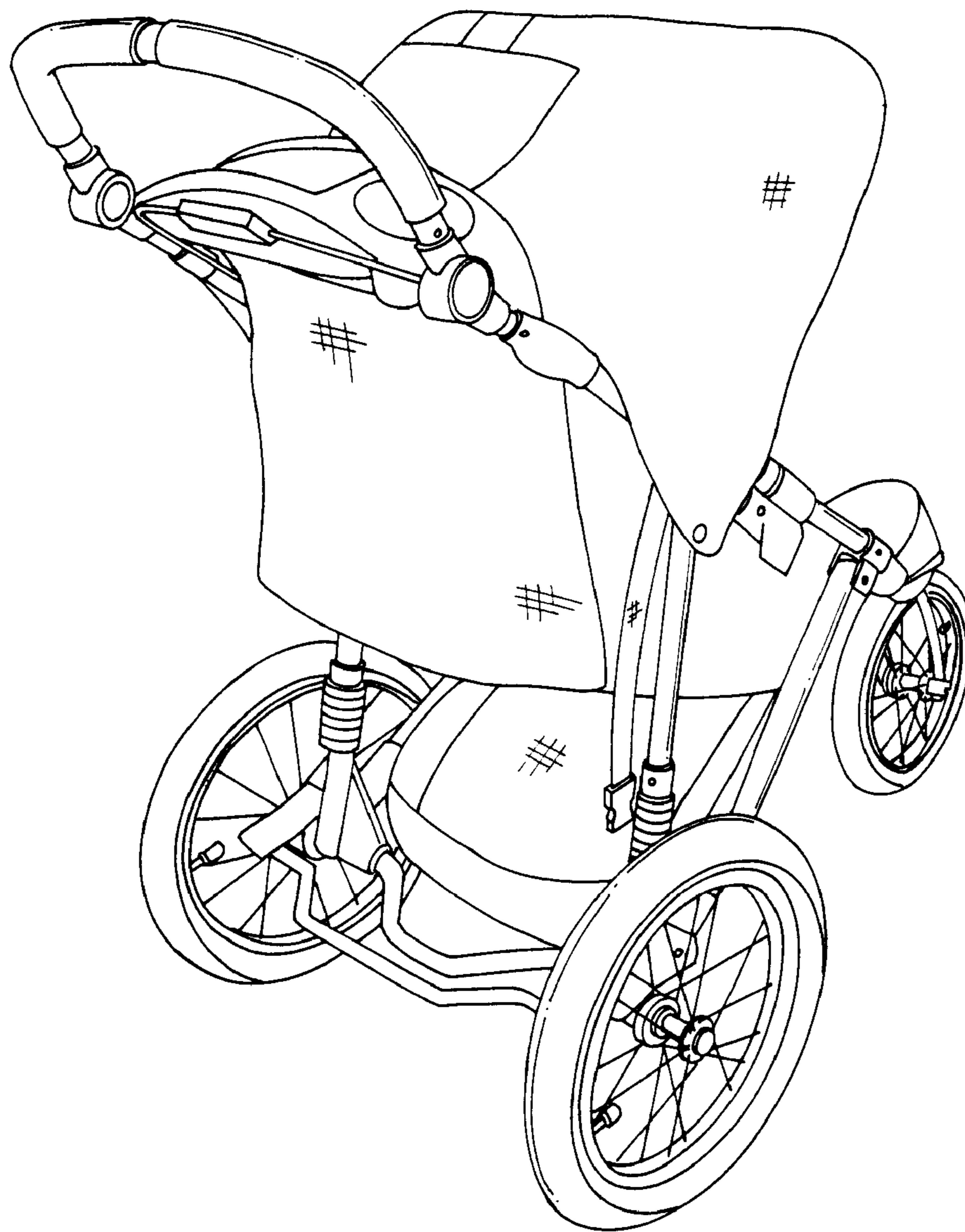


Fig. 8