



US00D520411S

(12) **United States Design Patent**
Schober

(10) **Patent No.:** **US D520,411 S**

(45) **Date of Patent:** **** May 9, 2006**

(54) **BICYCLE SUSPENSION MEMBER**

(76) Inventor: **Jonathan E. Schober**, 414 N. Water St., Lititz, PA (US) 17543

(**) Term: **14 Years**

(21) Appl. No.: **29/213,629**

(22) Filed: **Sep. 21, 2004**

(51) **LOC (8) Cl.** **12-11**

(52) **U.S. Cl.** **D12/111**

(58) **Field of Classification Search** D12/111,
D12/117, 118; 280/281.1, 284-288, 274,
280/288.1-288.4

See application file for complete search history.

(56) **References Cited**

U.S. PATENT DOCUMENTS

4,453,730	A *	6/1984	Klose	280/281.1
5,899,480	A *	5/1999	Leitner	280/284
6,092,823	A *	7/2000	Busby	280/284
6,406,048	B1 *	6/2002	Castellano	280/284
6,471,230	B1 *	10/2002	Ellsworth et al.	280/284
6,783,142	B1 *	8/2004	Schober	280/284

* cited by examiner

Primary Examiner—Alan P. Douglas

Assistant Examiner—Linda Brooks

(74) *Attorney, Agent, or Firm*—Miller Law Group, PLLC

(57) **CLAIM**

The ornamental design for a bicycle suspension member, as shown and described.

DESCRIPTION

FIG. 1 is a side elevational view of the bicycle suspension member showing my new design;

FIG. 2 is a top plan view of the bicycle suspension member, the relative position of the rear wheel of the bicycle being shown in phantom;

FIG. 3 is a rear elevational view thereof;

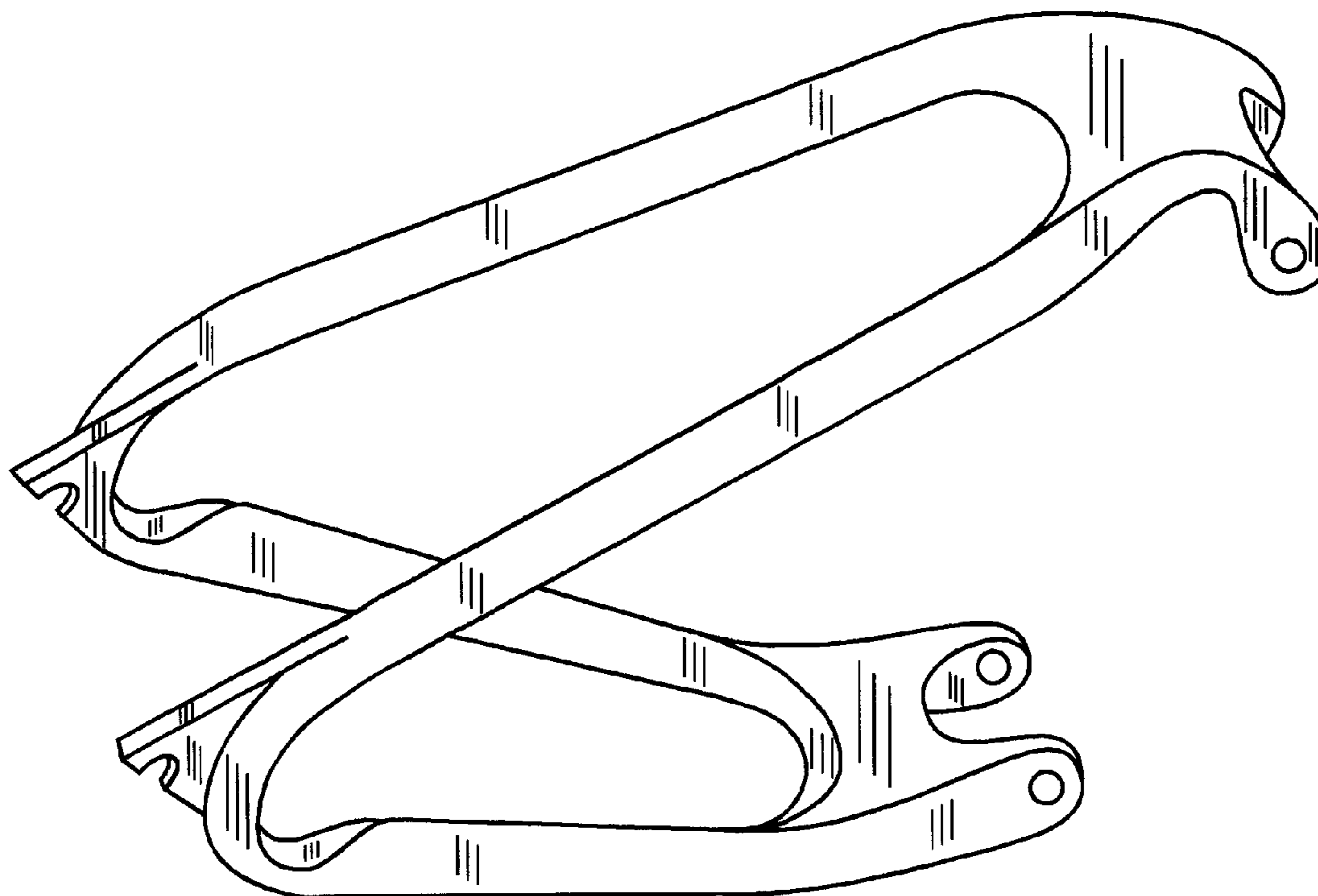
FIG. 4 is a front elevational view thereof, the relative position of the rear wheel of the bicycle being shown in phantom;

FIG. 5 is a bottom plan view thereof;

FIG. 6 is an upper rear perspective view thereof; and,

FIG. 7 is a side elevational view similar to that of FIG. 1, but depicting the relative positions of the attached bicycle frame and rear wheel of the bicycle in phantom.

1 Claim, 7 Drawing Sheets



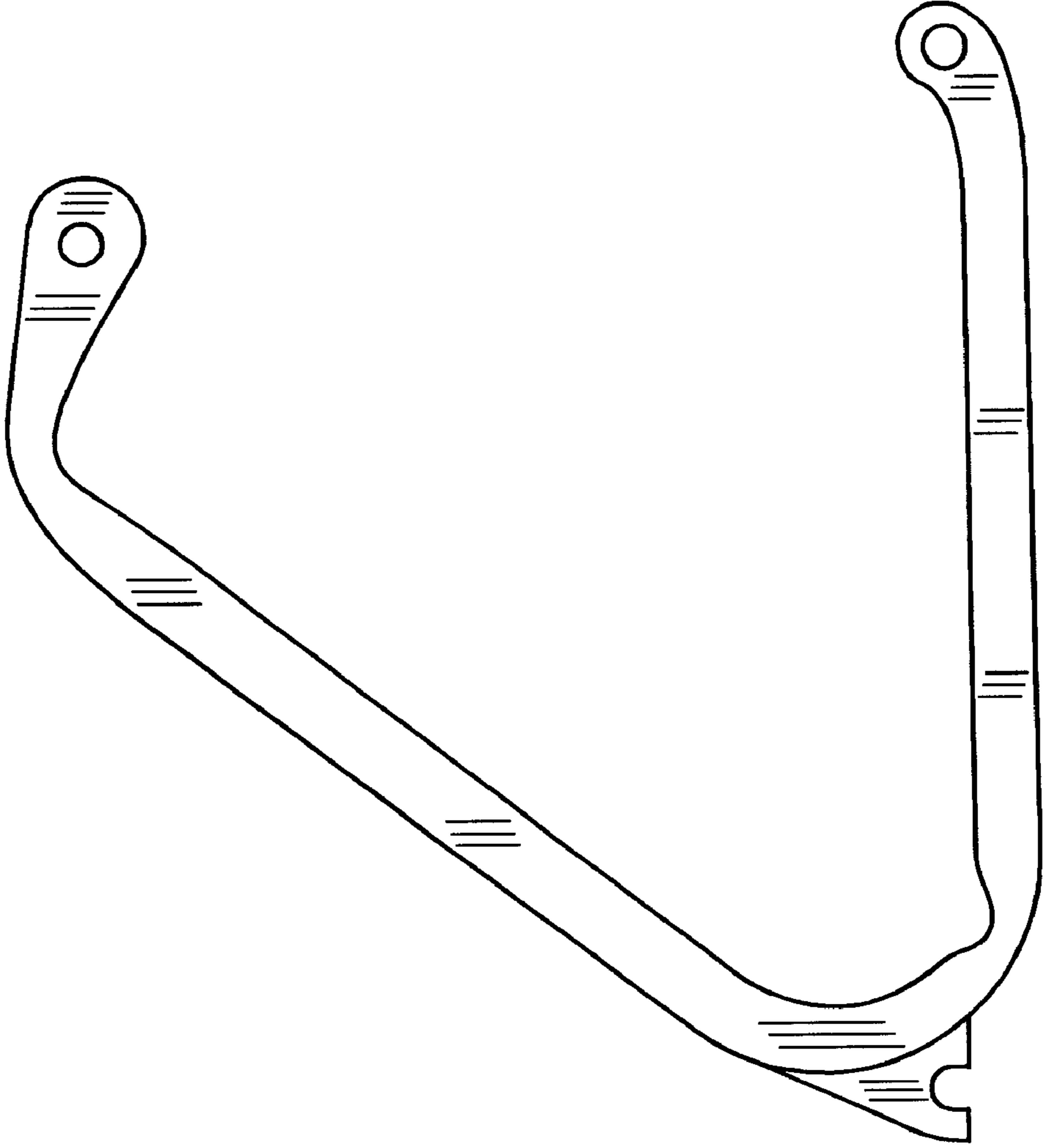


Fig. 1

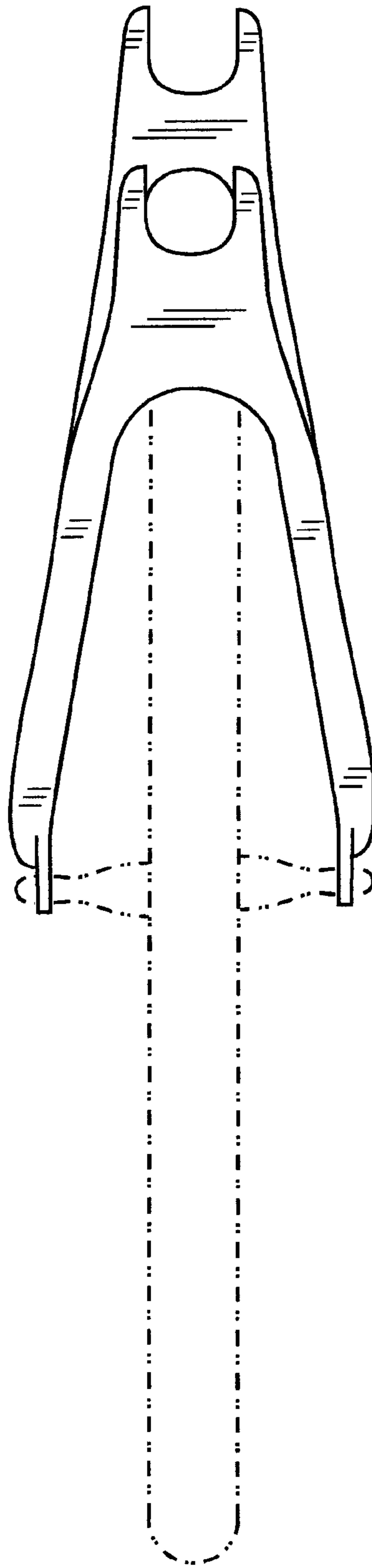
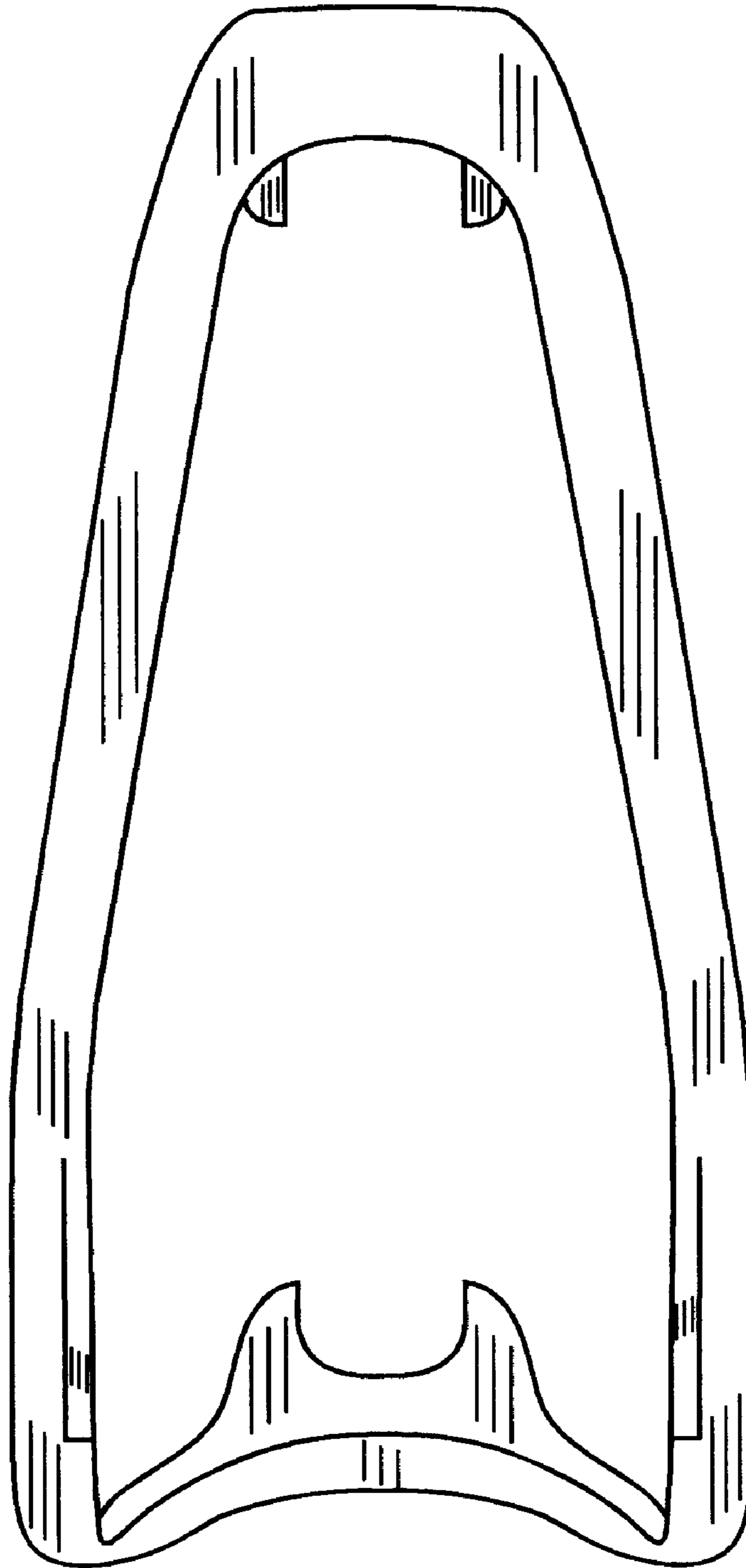


Fig. 2

Fig. 3



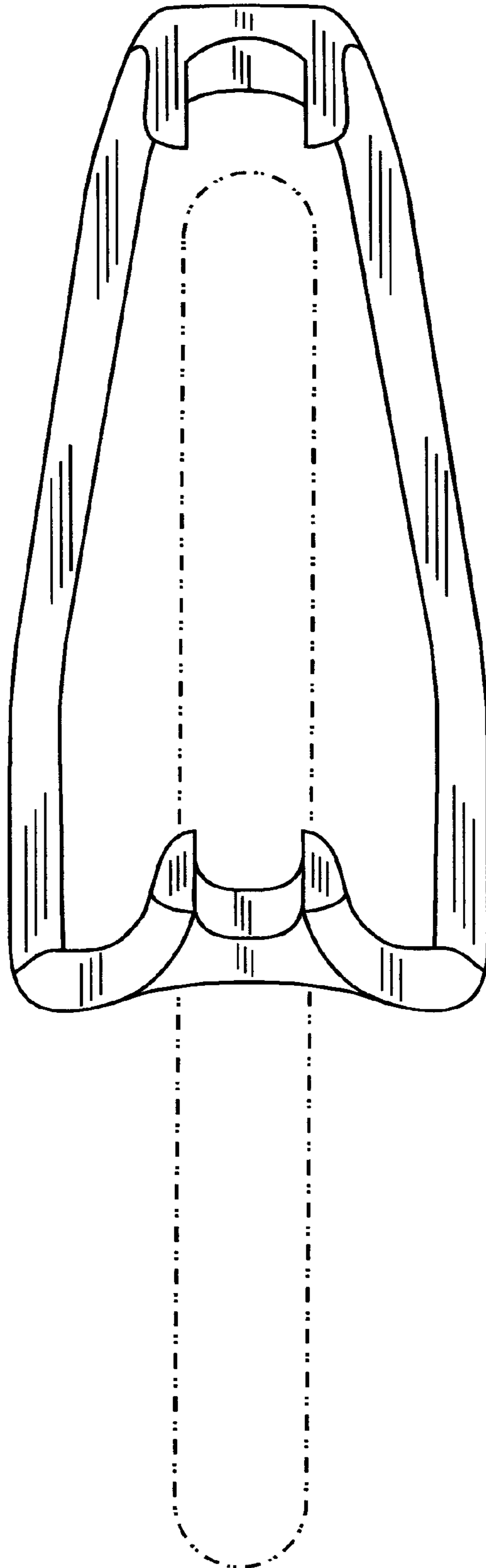
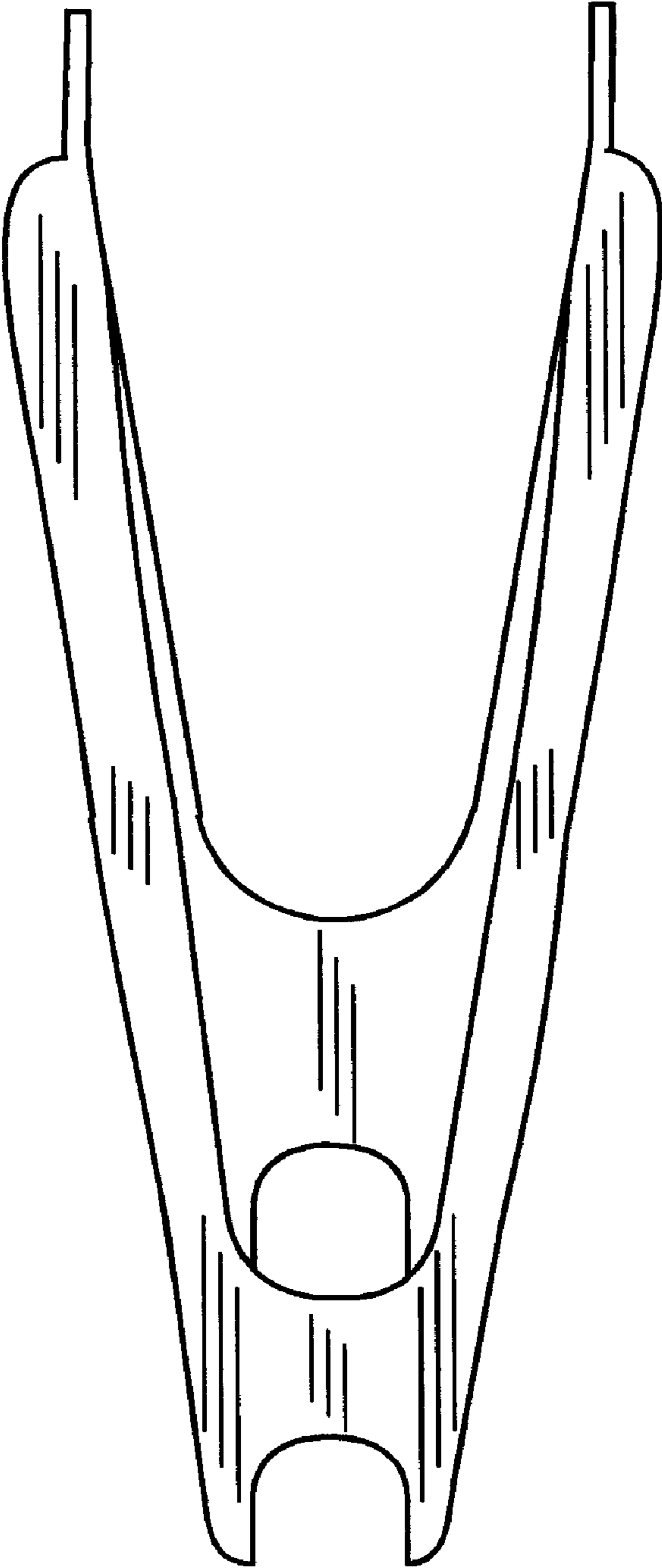


Fig. 4

Fig. 5



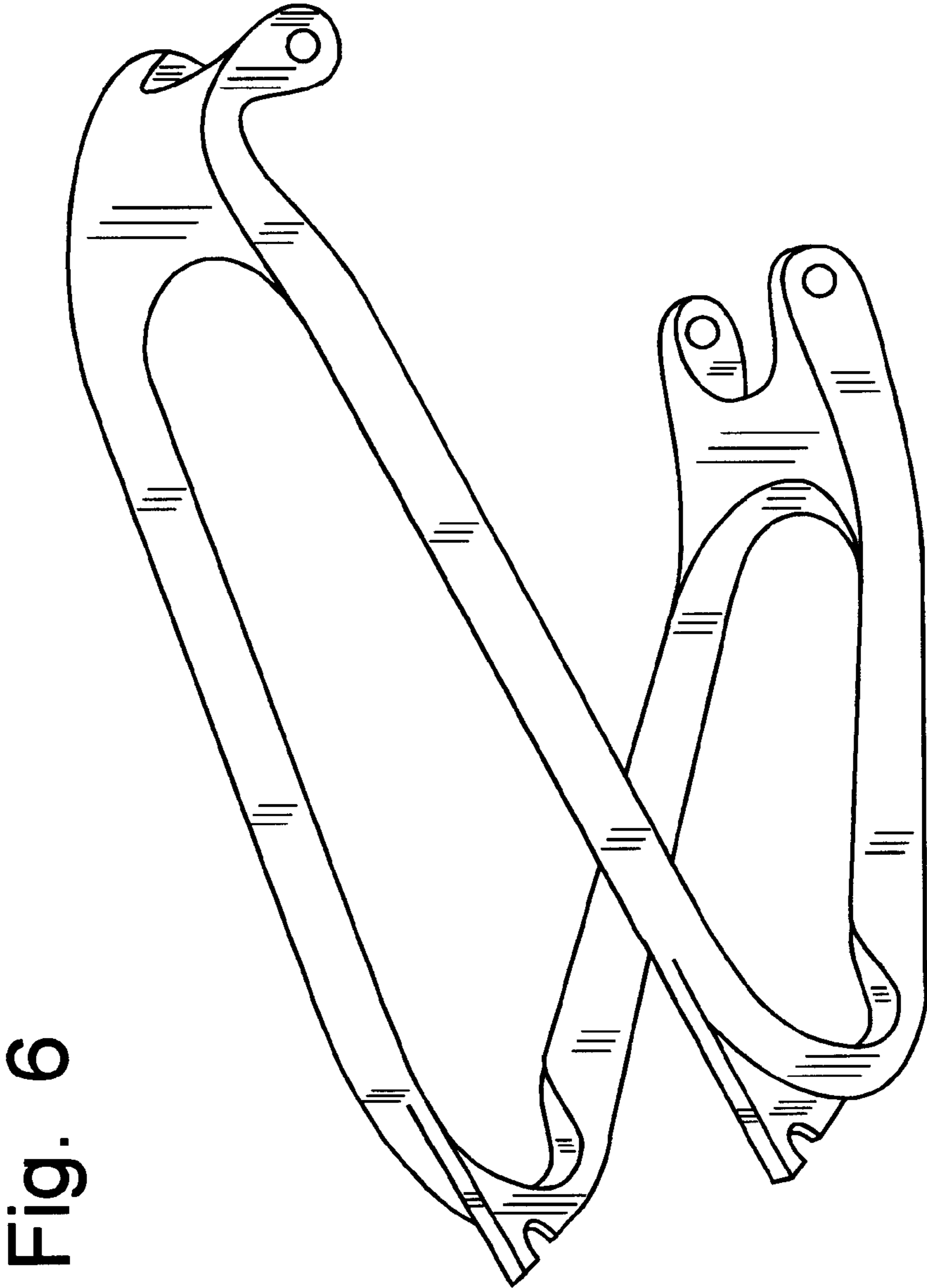


Fig. 6

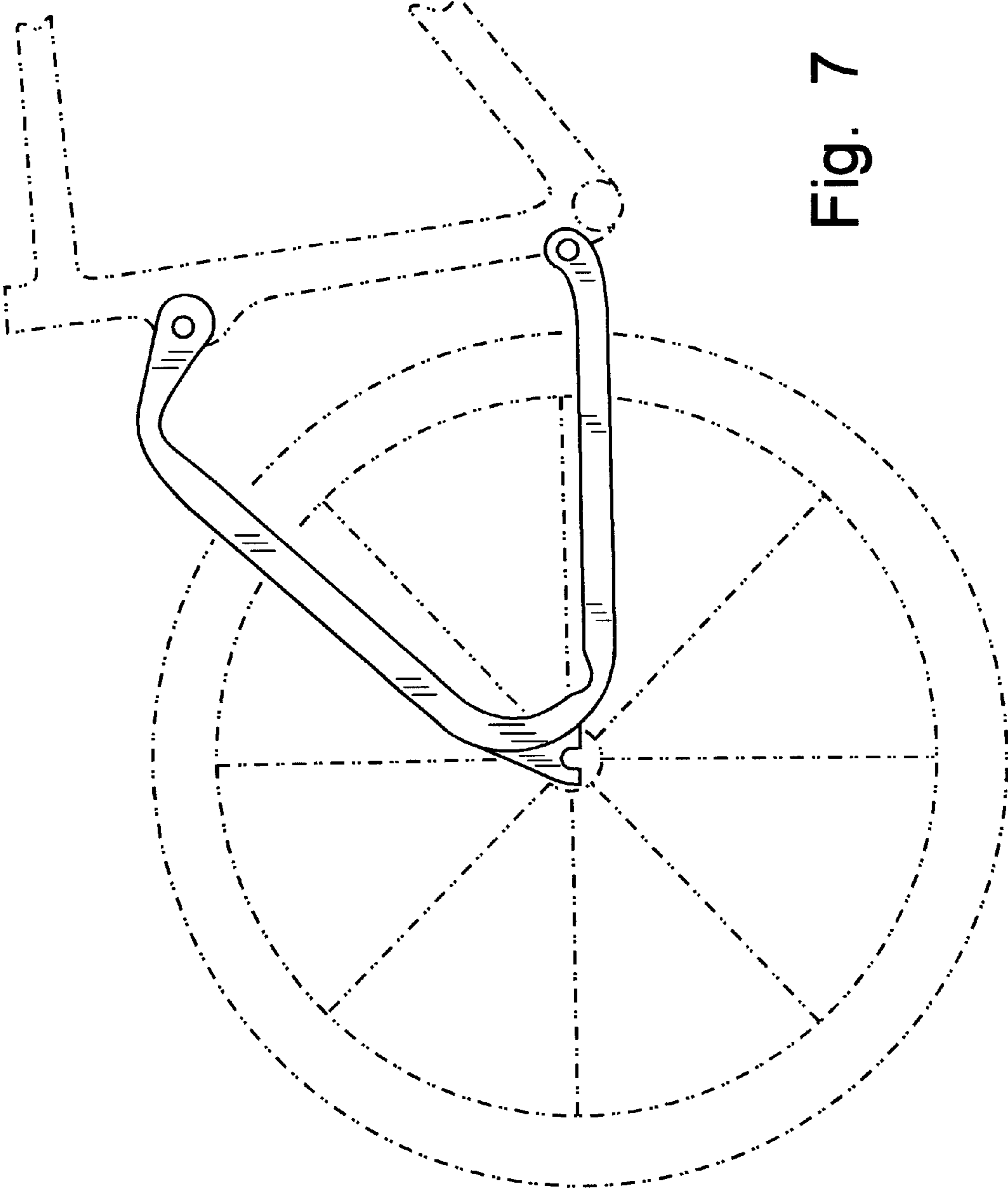


Fig. 7