



US00D520410S

(12) **United States Design Patent**  
**Fisher et al.**

(10) **Patent No.:** **US D520,410 S**

(45) **Date of Patent:** **\*\* May 9, 2006**

(54) **MOTORCYCLE**

(75) Inventors: **Michael Fisher**, Nottinghamshire (GB);  
**Michaela Fogarty**, Staffordshire (GB);  
**Nigel Bosworth**, Staffordshire (GB);  
**Murray Treece**, Staffordshire (GB);  
**Neil Bramwell**, Staffordshire (GB);  
**Carl Fogarty**, Staffordshire (GB)

(73) Assignee: **Brumby Corporation Limited** (GB)

(\*) Notice: This patent is subject to a terminal disclaimer.

(\*\*) Term: **14 Years**

(21) Appl. No.: **29/172,121**

(22) Filed: **Dec. 6, 2002**

(30) **Foreign Application Priority Data**

Jun. 7, 2002 (GB) ..... 3004214

(51) **LOC (8) Cl.** ..... **12-11**

(52) **U.S. Cl.** ..... **D12/110**

(58) **Field of Classification Search** ..... D12/110;  
180/219

See application file for complete search history.

(56) **References Cited**

**U.S. PATENT DOCUMENTS**

D333,641 S \* 3/1993 Sakaguchi et al. .... D12/110

D389,096 S \* 1/1998 Tako et al. .... D12/110

\* cited by examiner

*Primary Examiner*—Alan P. Douglas

*Assistant Examiner*—Linda Brooks

(74) *Attorney, Agent, or Firm*—Banner & Witcoff, Ltd.

(57) **CLAIM**

The ornamental design for a motorcycle, as shown and described.

**DESCRIPTION**

FIG. 1 is a side elevational view of one side of a motorcycle showing our new design;

FIG. 2 is a front elevational view thereof;

FIG. 3 is a rear elevational view thereof;

FIG. 4 is a bottom plan view thereof;

FIG. 5 is a top perspective view thereof;

FIG. 6 is a side elevational view of the other side thereof;

FIG. 7 is a top plan view thereof;

FIG. 8 is an enlarged detailed perspective view of the side panel thereof;

FIG. 9 is an enlarged detailed perspective view of the front cowling thereof;

FIG. 10 is an enlarged detailed top view of the front cowling thereof;

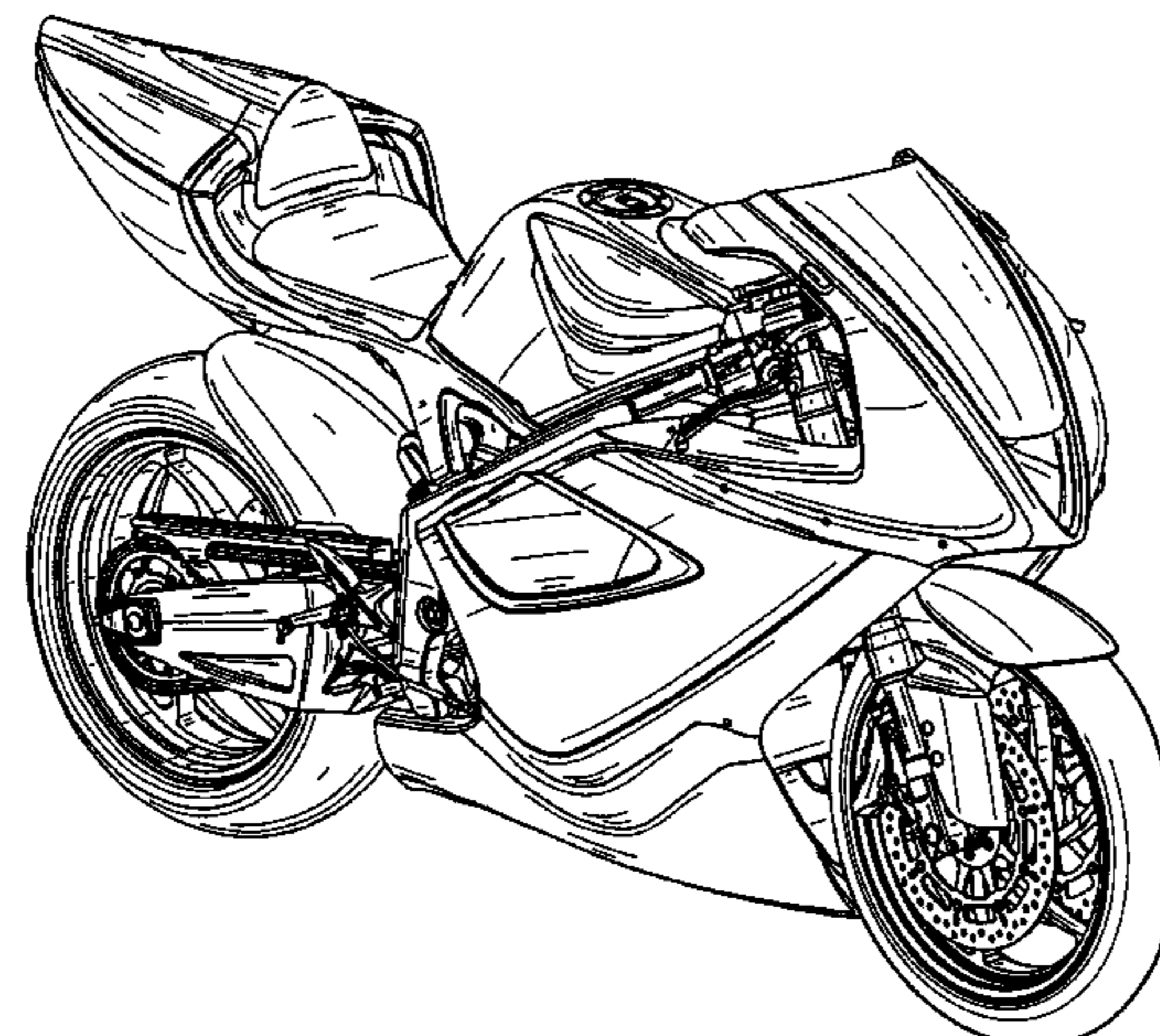
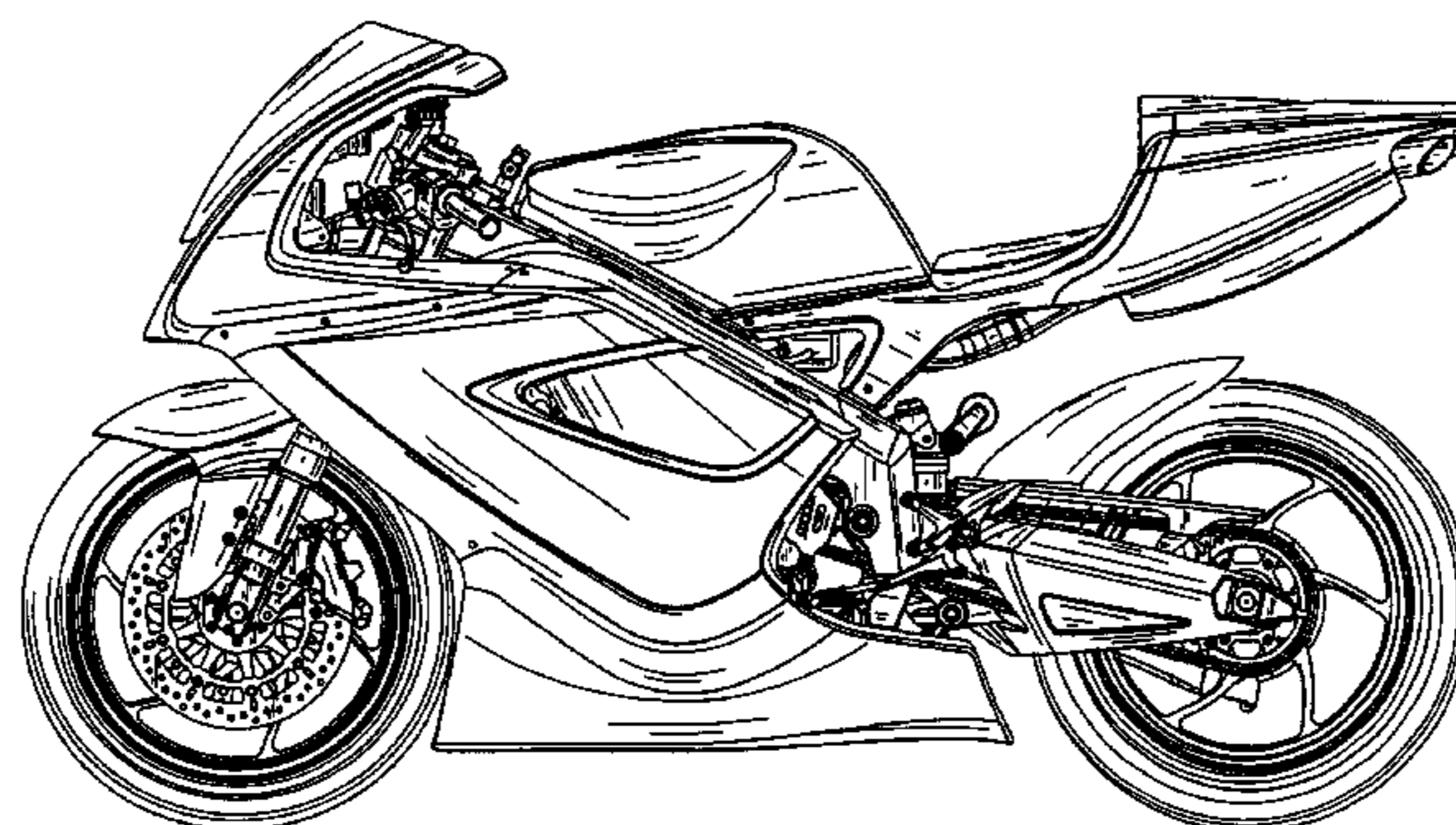
FIG. 11 is an enlarged detailed perspective view thereof;

FIG. 12 is an enlarged detailed perspective view of the seat assembly thereof; and,

FIG. 13 is an enlarged detailed side elevational view of the rear wheel thereof.

The enlarged detailed views shown in FIGS. 8–13 are shown for purposes of clarity.

**1 Claim, 13 Drawing Sheets**



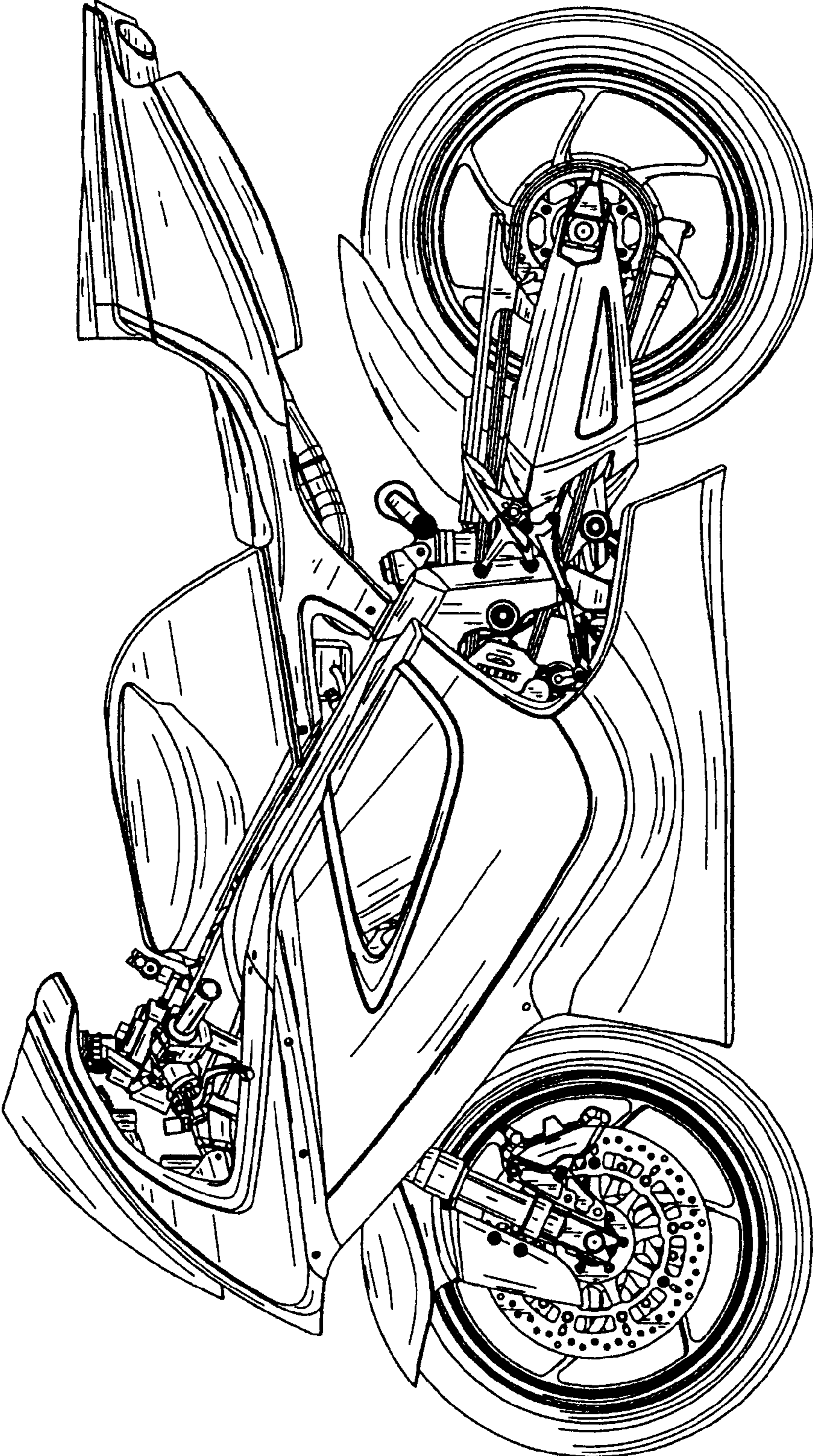


FIG. 1

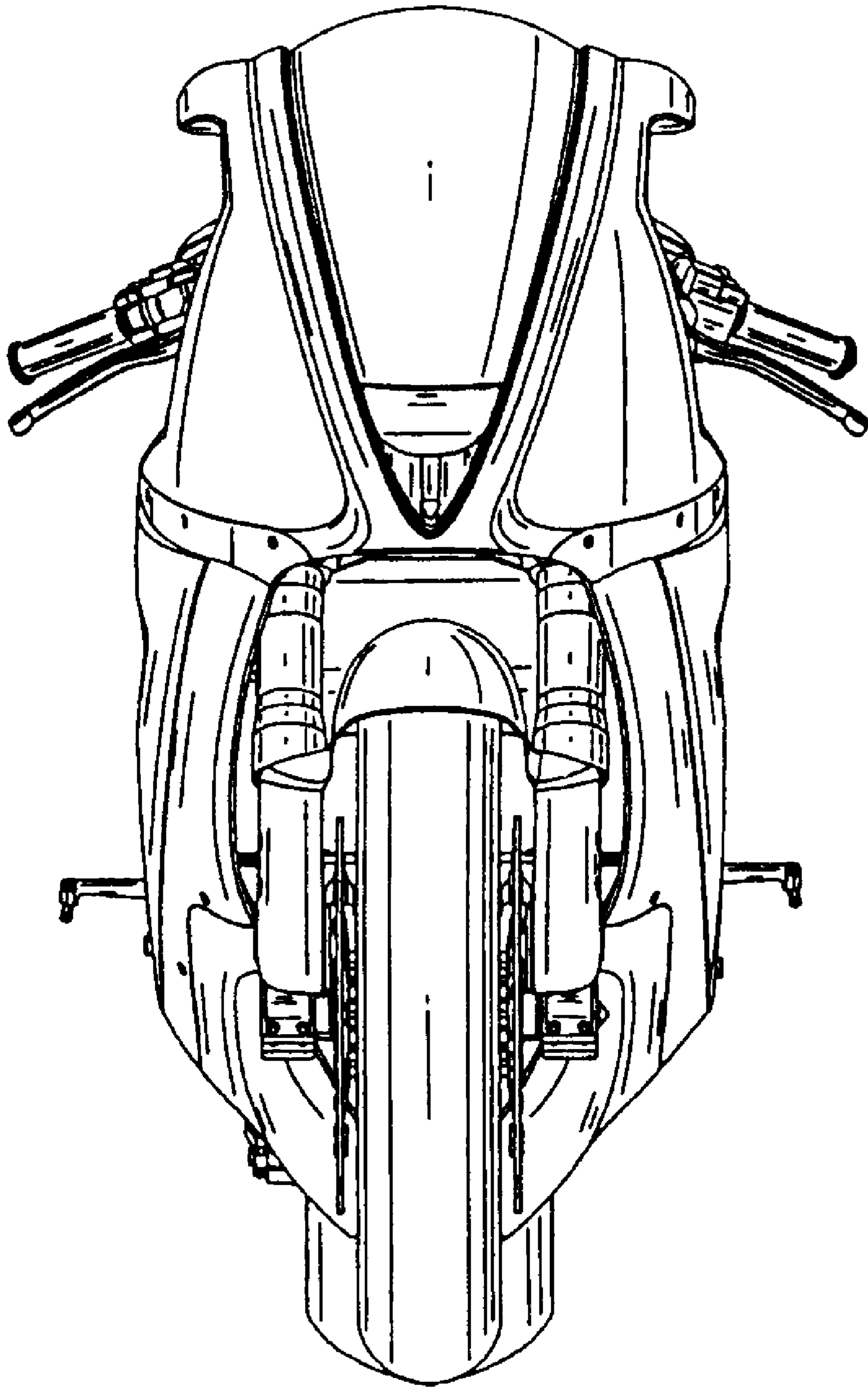


FIG. 2

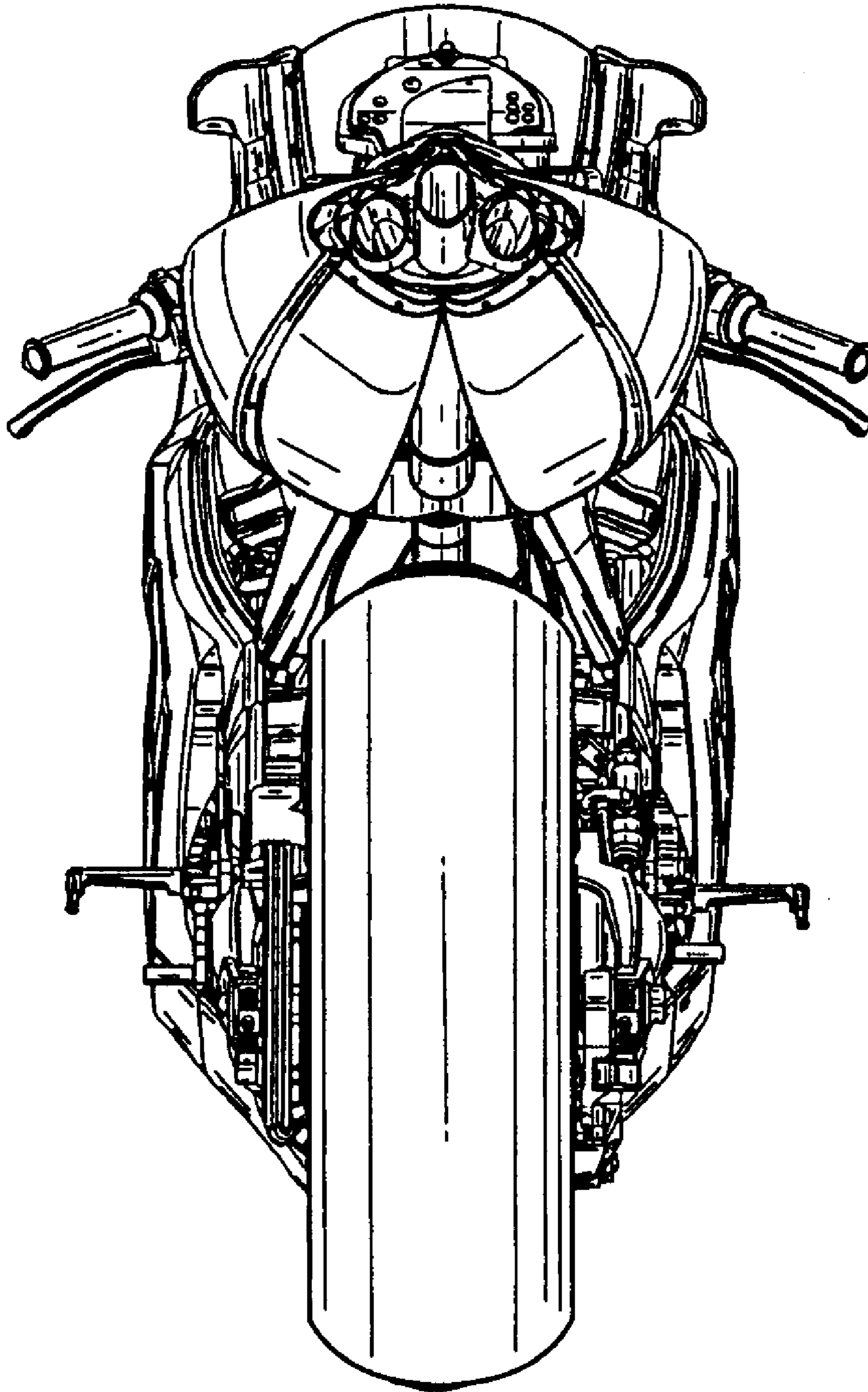


FIG. 3

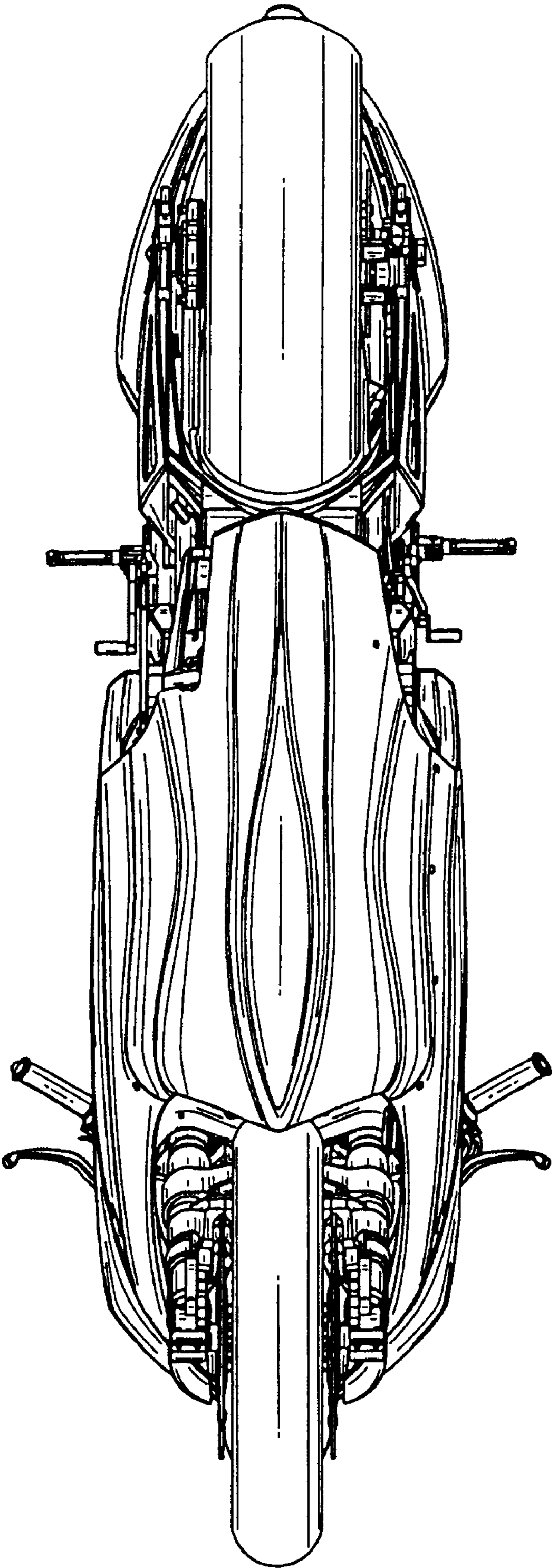


FIG. 4

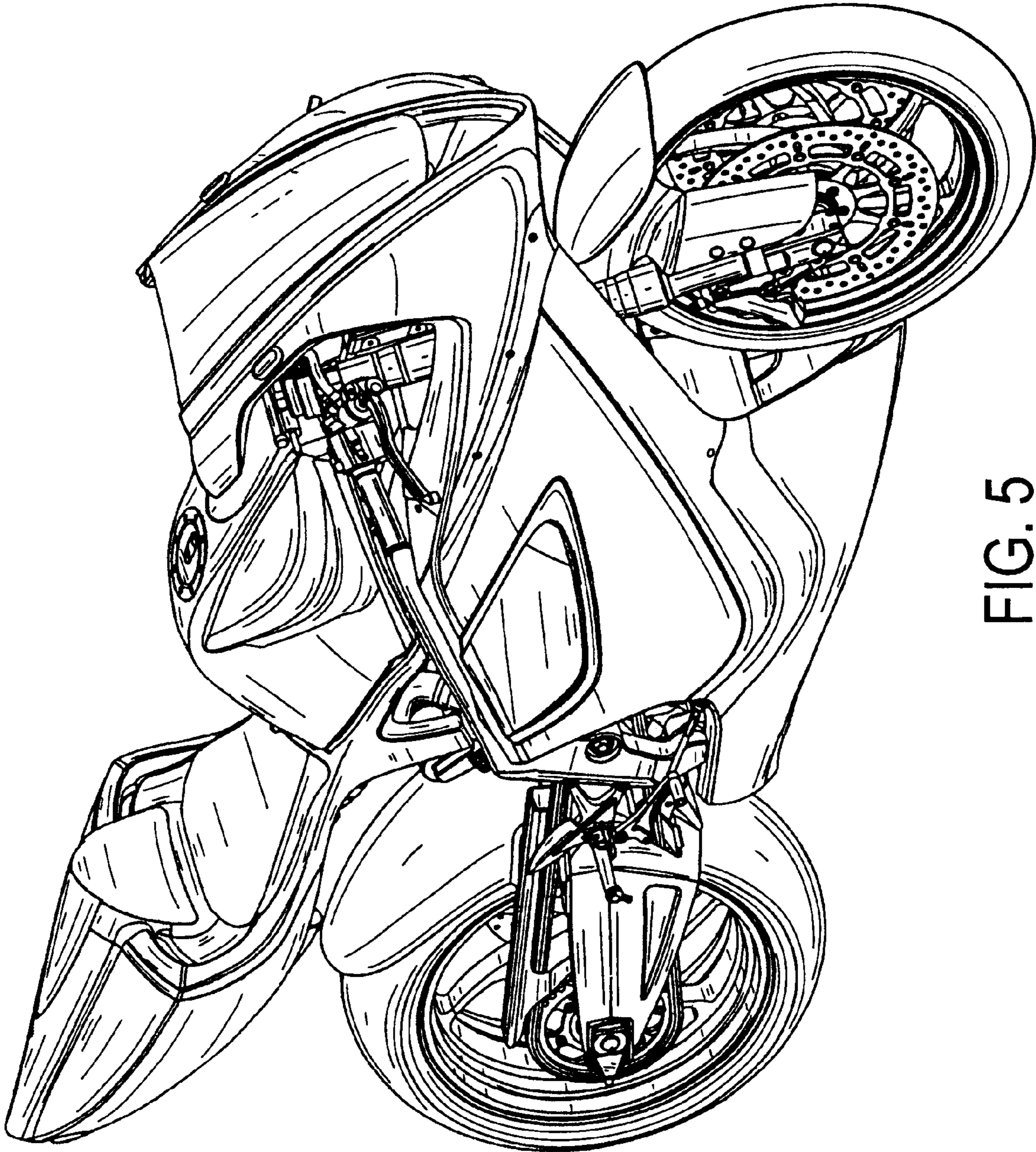


FIG. 5

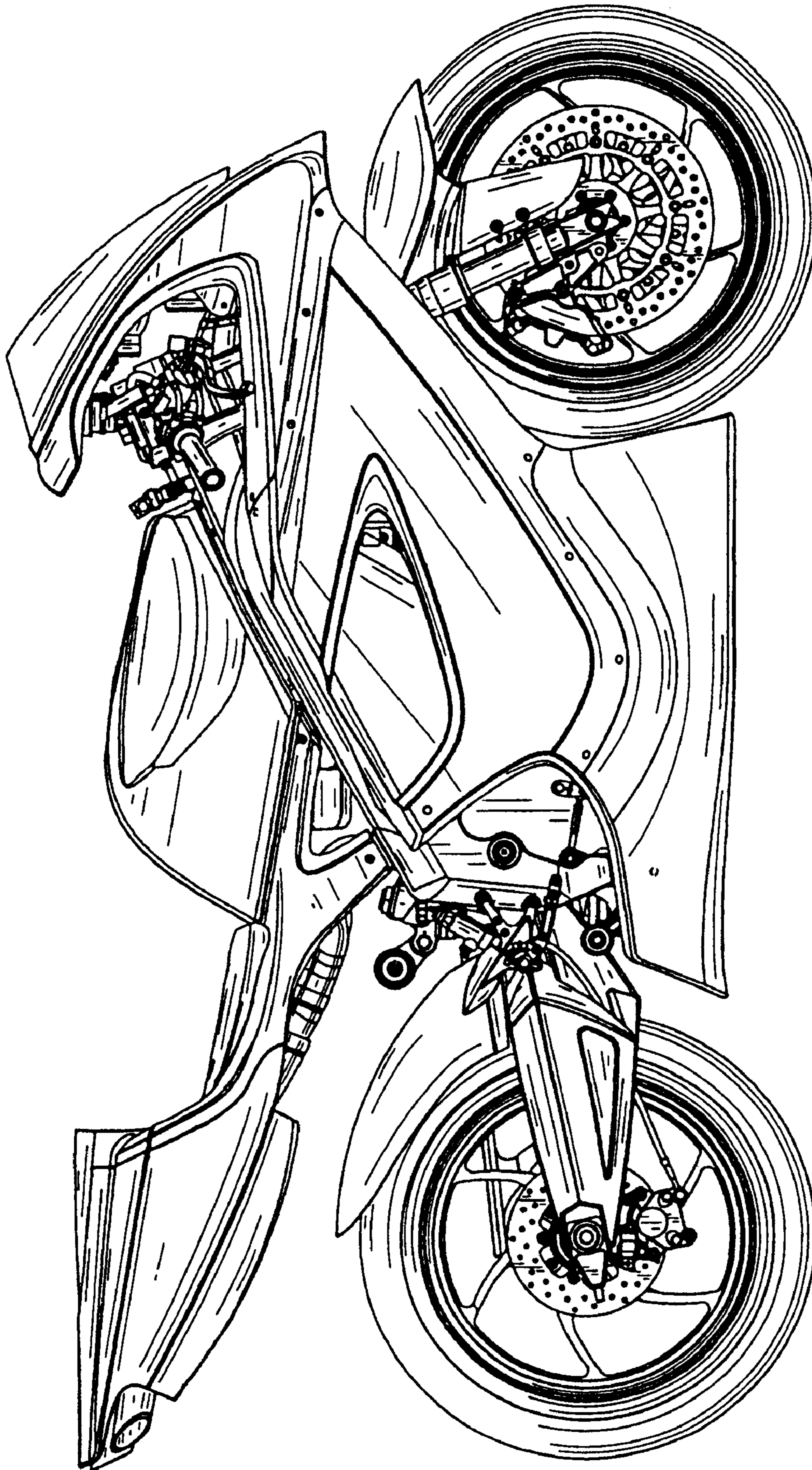


FIG. 6

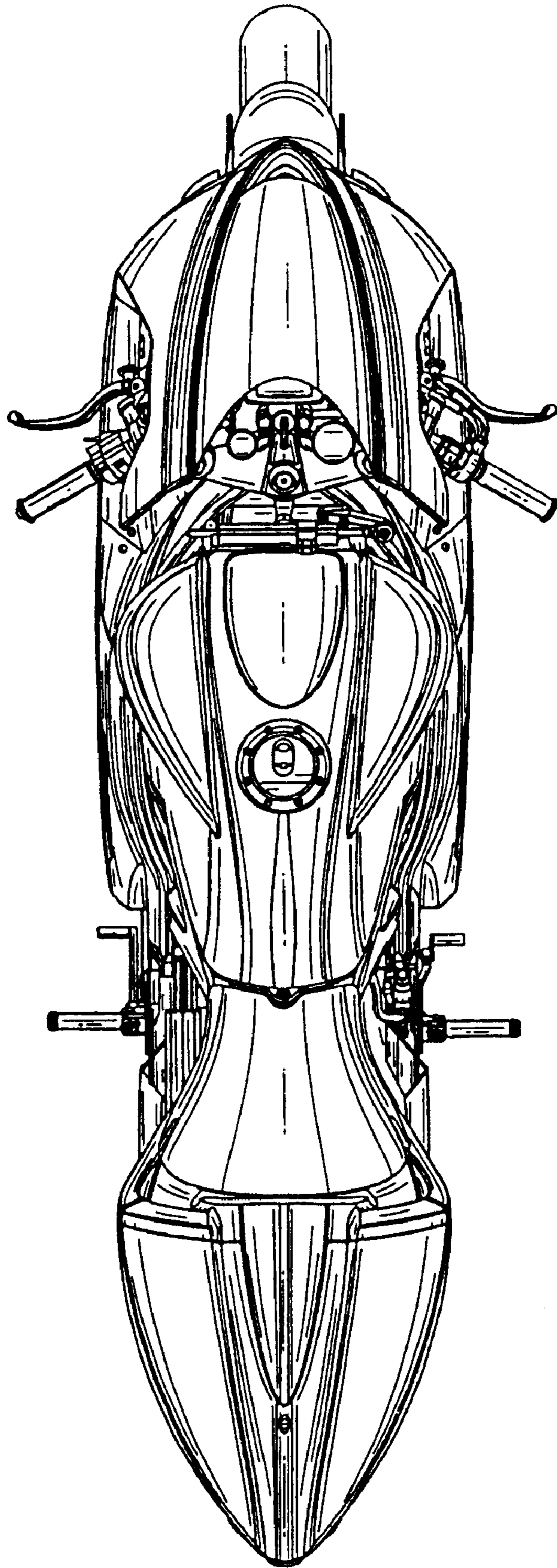


FIG. 7



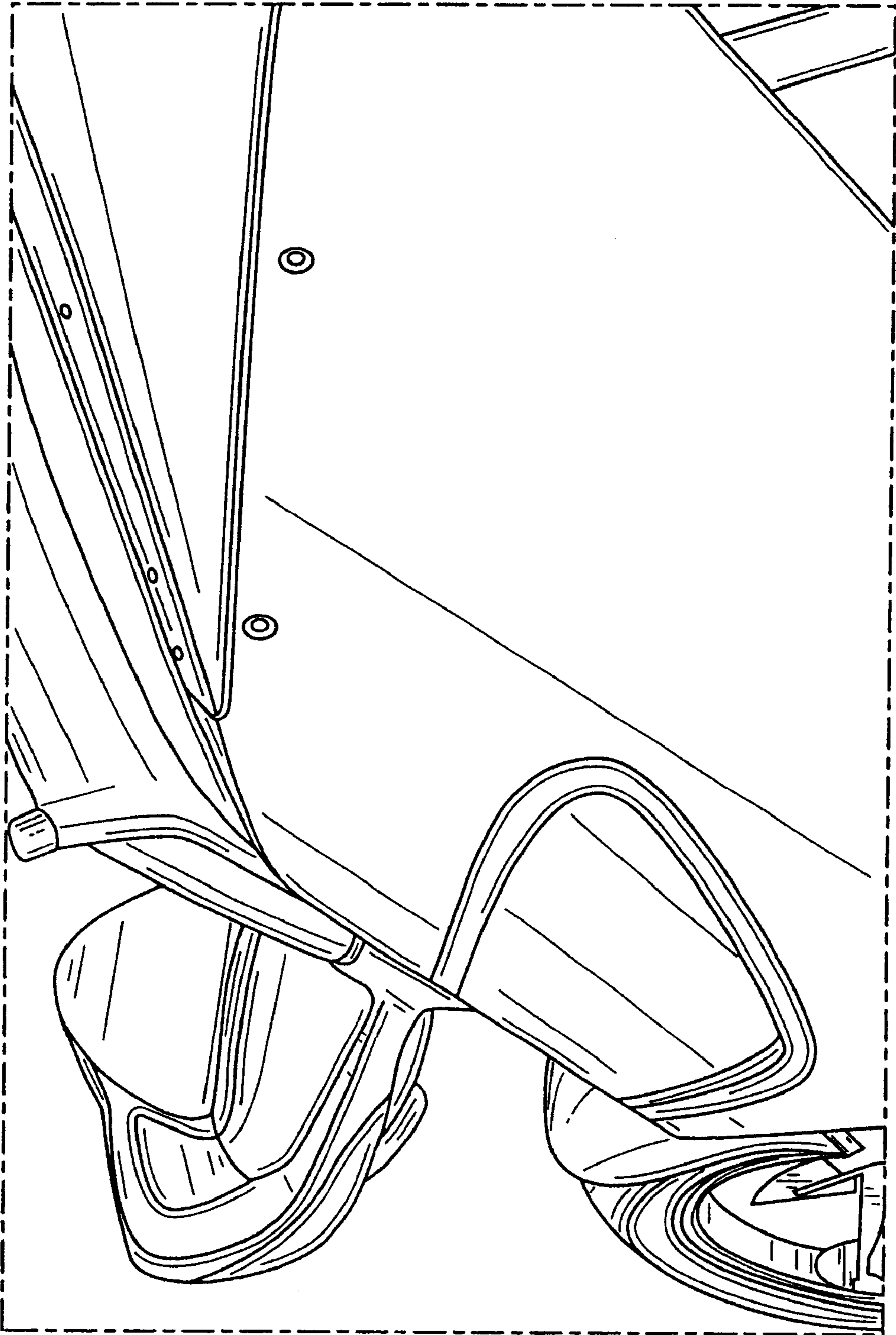


FIG. 8

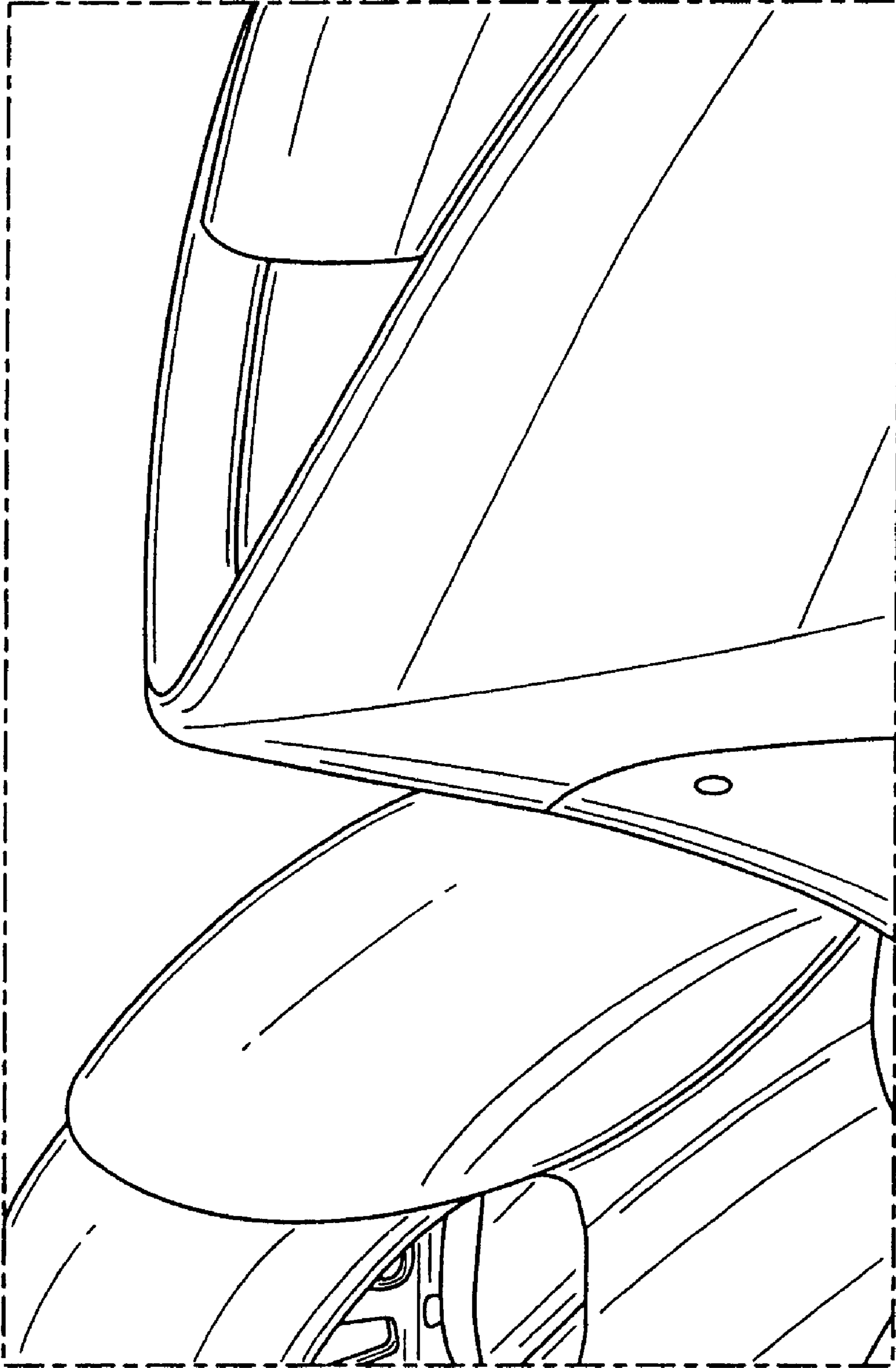


FIG. 9

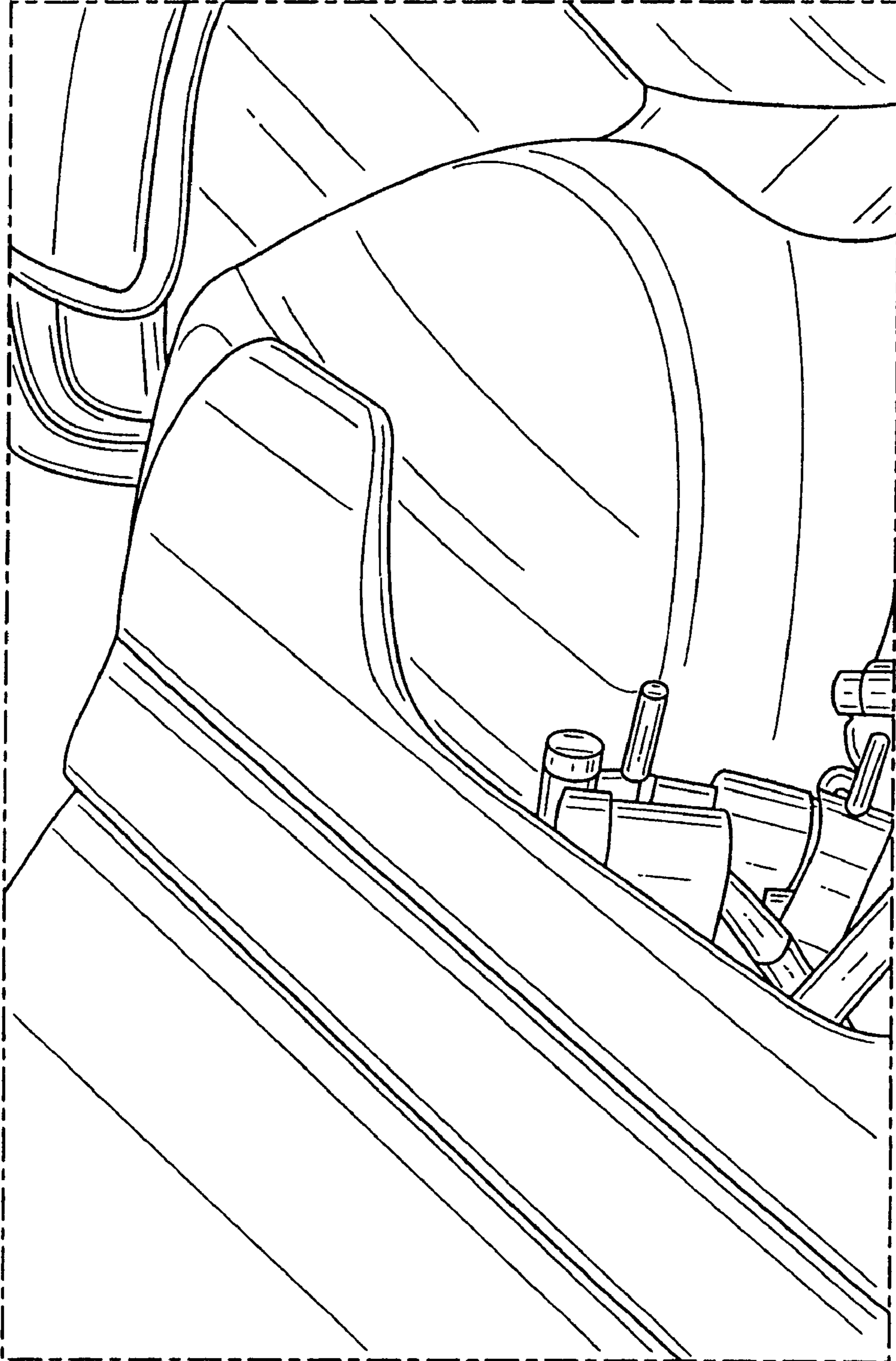


FIG. 10

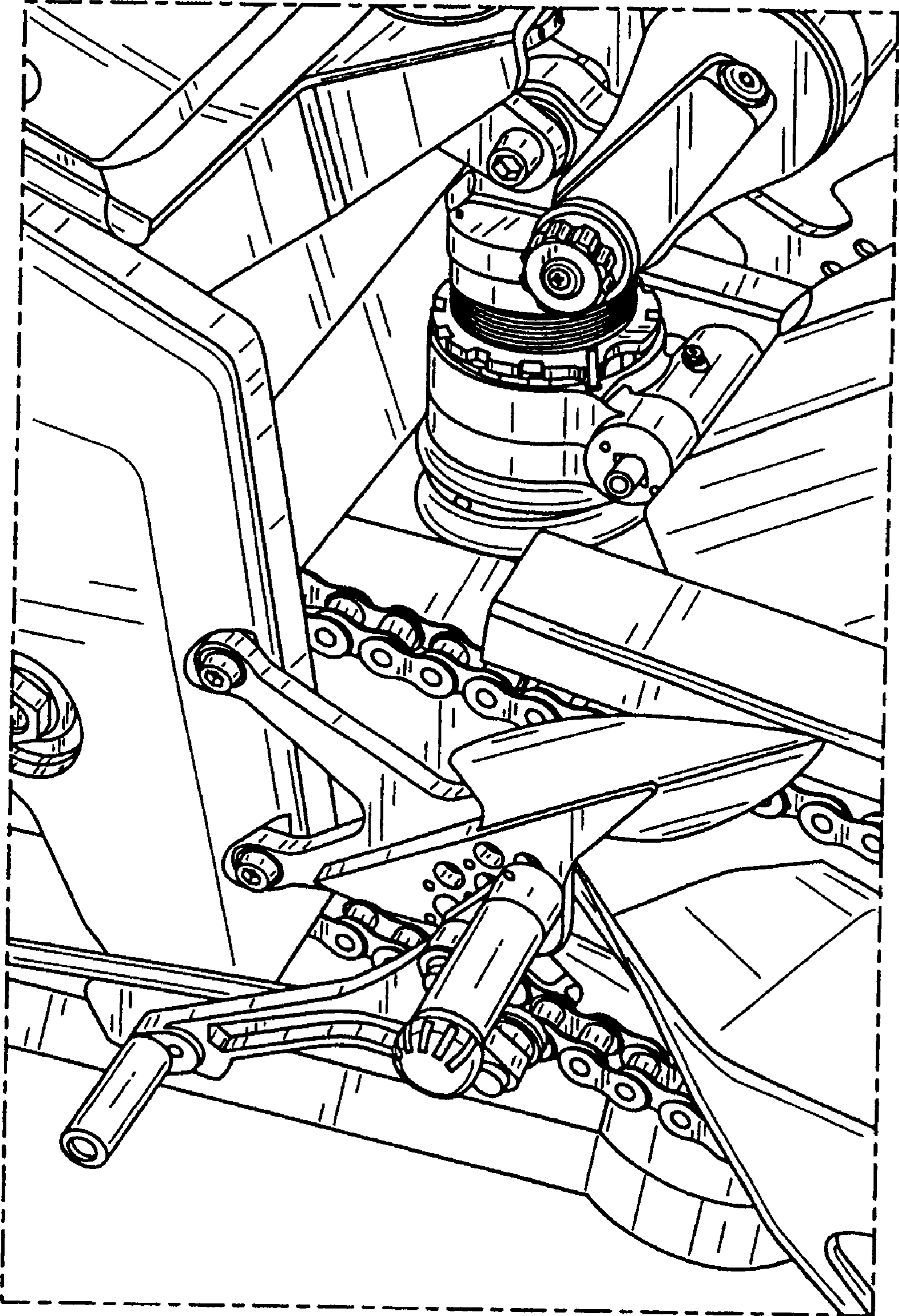


FIG. 11

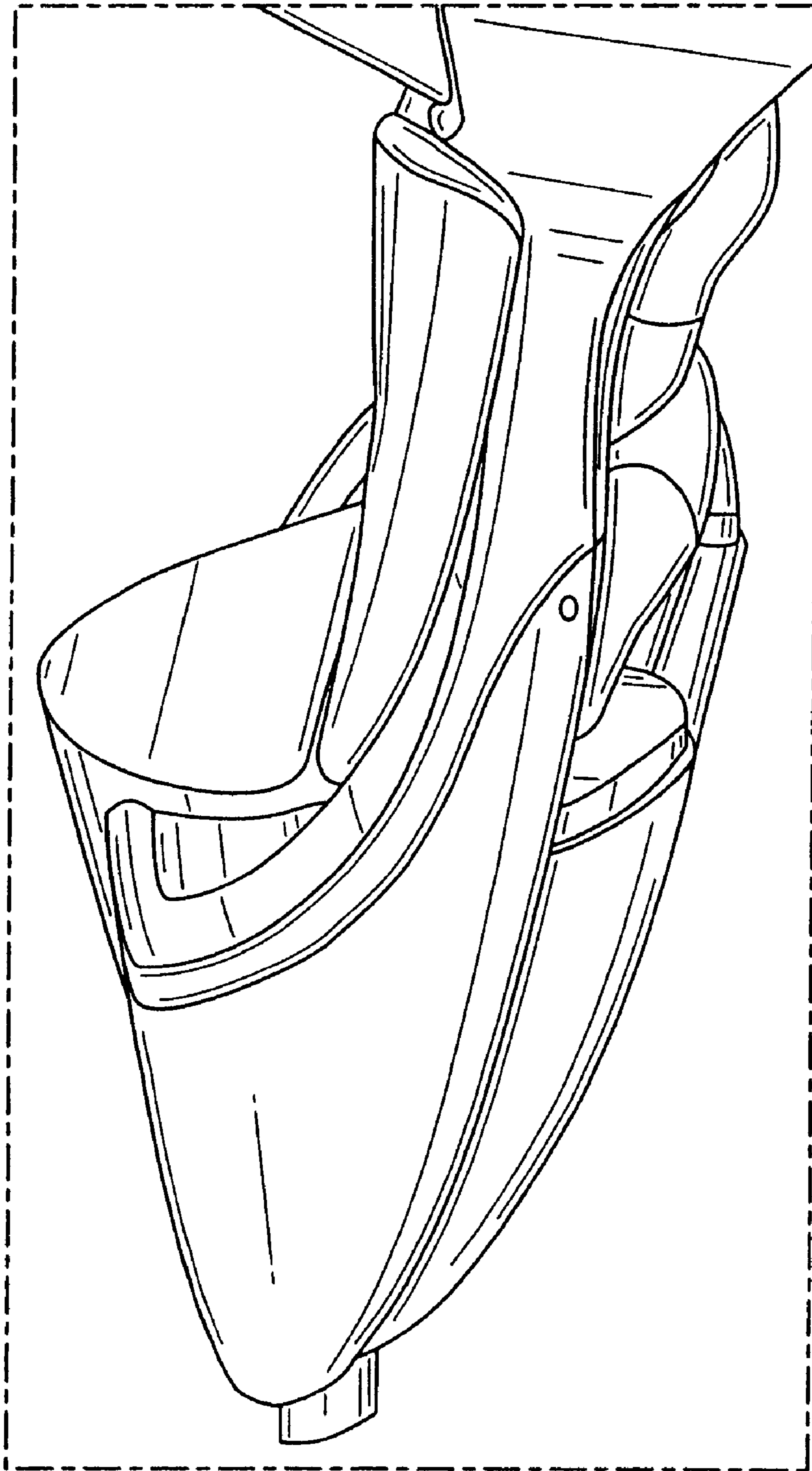


FIG. 12

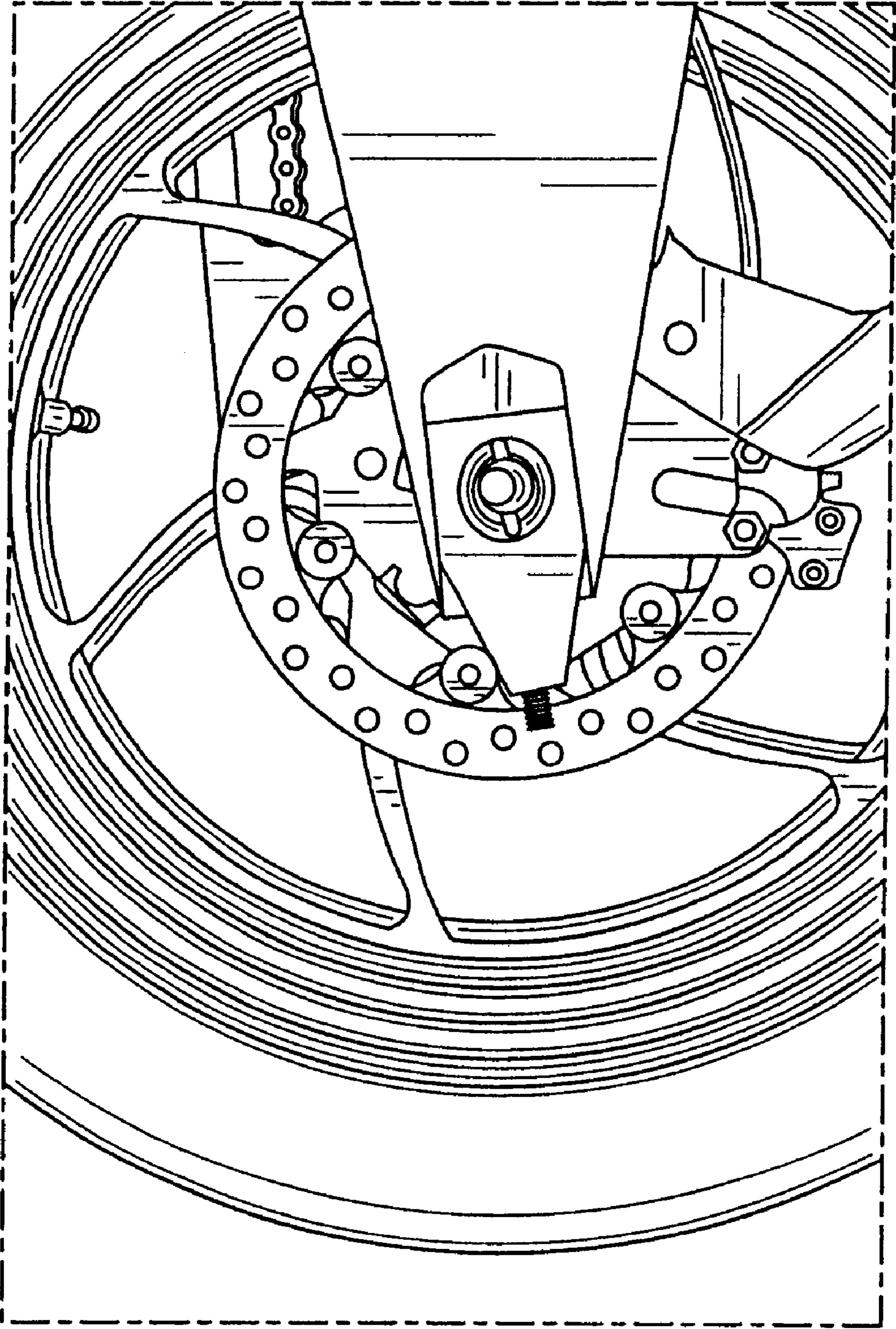


FIG. 13