



US00D520405S

(12) **United States Design Patent**  
**Prebil**

(10) **Patent No.:** **US D520,405 S**

(45) **Date of Patent:** **\*\* May 9, 2006**

(54) **PUMPKIN STAND**

(76) Inventor: **Joseph Prebil**, 1123 Dopp St.,  
Waukesha, WI (US) 53188

(\*\*) Term: **14 Years**

(21) Appl. No.: **29/214,077**

(22) Filed: **Sep. 27, 2004**

(51) **LOC (8) Cl.** ..... **11-05**

(52) **U.S. Cl.** ..... **D11/125; D11/121; D11/127;**  
**D11/130; D11/184**

(58) **Field of Classification Search** ..... **D11/117,**  
**D11/121, 125-128, 130, 184; 428/7-9; 248/684,**  
**248/688, 27.8, 176.1, 146, 156, 163.1, 908,**  
**248/915**

See application file for complete search history.

(56) **References Cited**

**U.S. PATENT DOCUMENTS**

D444,411 S	*	7/2001	Glaubitz	.....	D11/128
D465,743 S	*	11/2002	Mangini et al.	.....	D11/121
6,530,491 B1	*	3/2003	Brehmer et al.	.....	248/156
6,565,047 B1	*	5/2003	Cheung	.....	248/27.8

\* cited by examiner

*Primary Examiner*—Dominic Simone

(74) *Attorney, Agent, or Firm*—Gregory L. Koeller; Moss & Barnett, P.A.

(57) **CLAIM**

I claim the ornamental design for a pumpkin stand, as shown.

**DESCRIPTION**

FIG. 1 is a perspective view of a pumpkin stand showing my new design, the broken line showing of a pumpkin is for illustrative purpose only and forms no part of the claimed design;

FIG. 2 is a front elevational view thereof, the rear being a mirror image;

FIG. 3 is a side elevational view thereof, the opposite being a mirror image thereof.

FIG. 4 is a top plan view thereof;

FIG. 5 is a bottom plan view thereof;

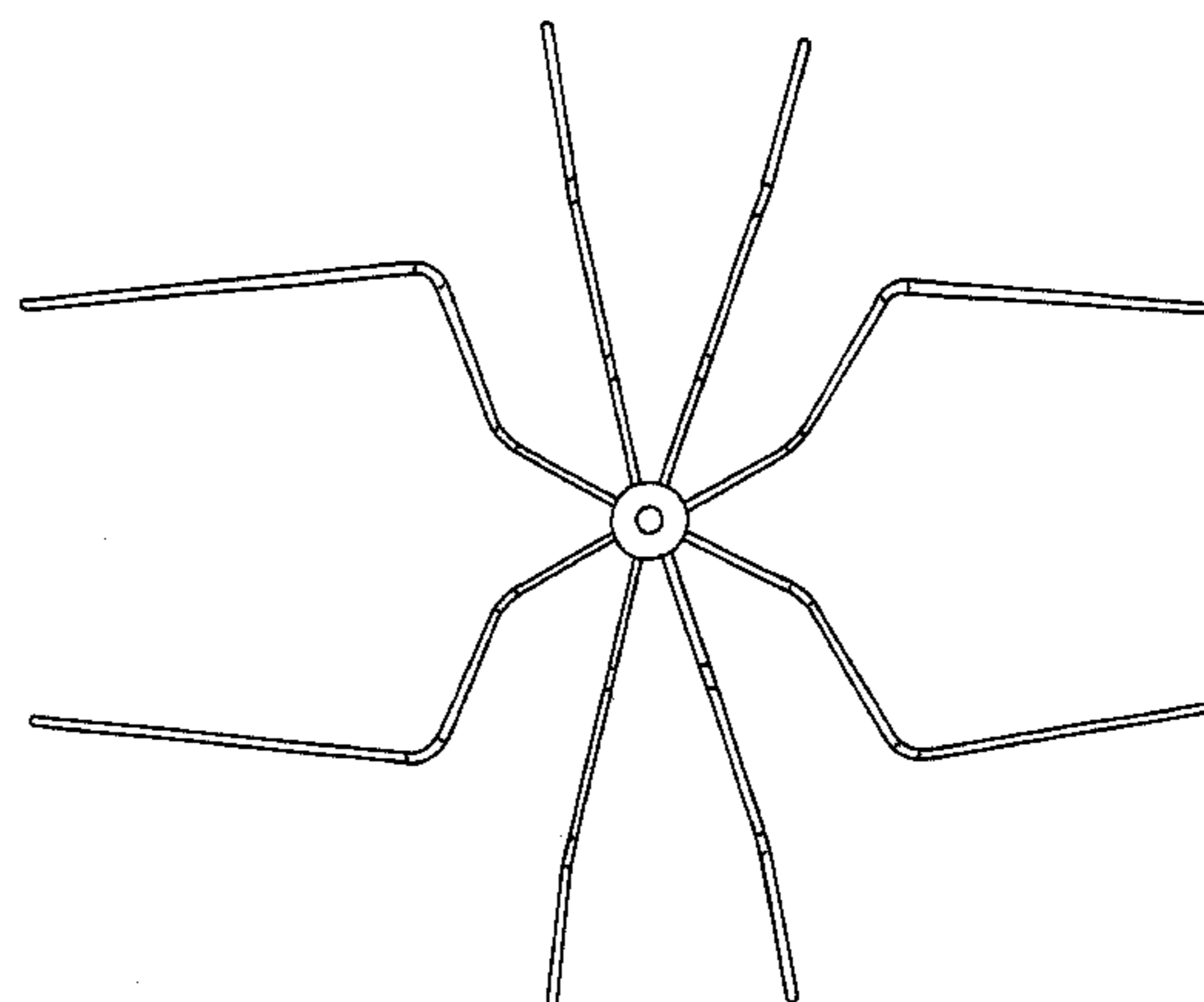
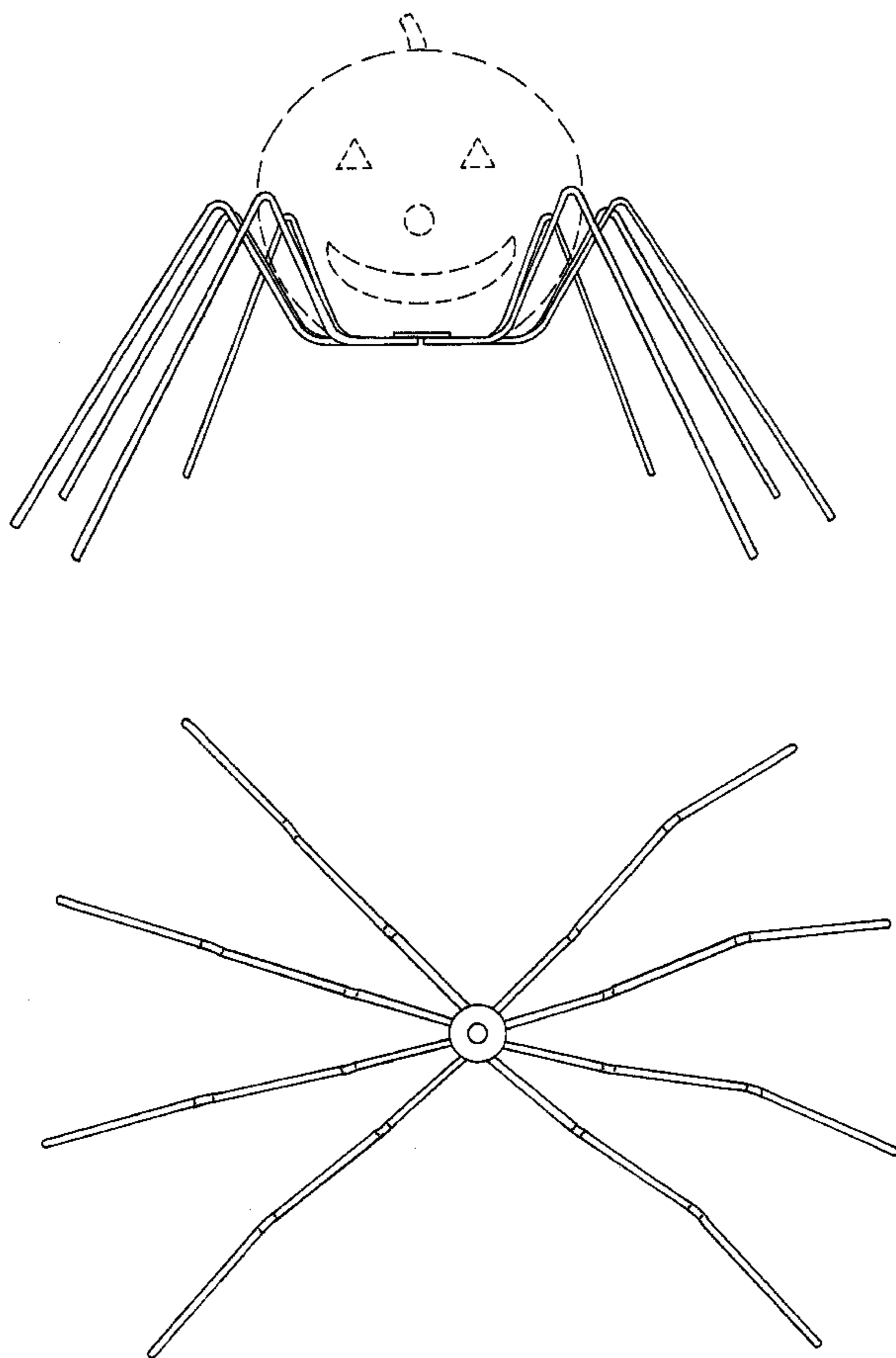
FIG. 6 is a front elevational view of a second embodiment of the pumpkin stand of FIG. 1, the rear being a mirror image;

FIG. 7 is a side elevational view of FIG. 6, the opposite being a mirror image thereof.

FIG. 8 is a top plan view of FIG. 6; and,

FIG. 9 is a bottom plan view of FIG. 6.

**1 Claim, 9 Drawing Sheets**



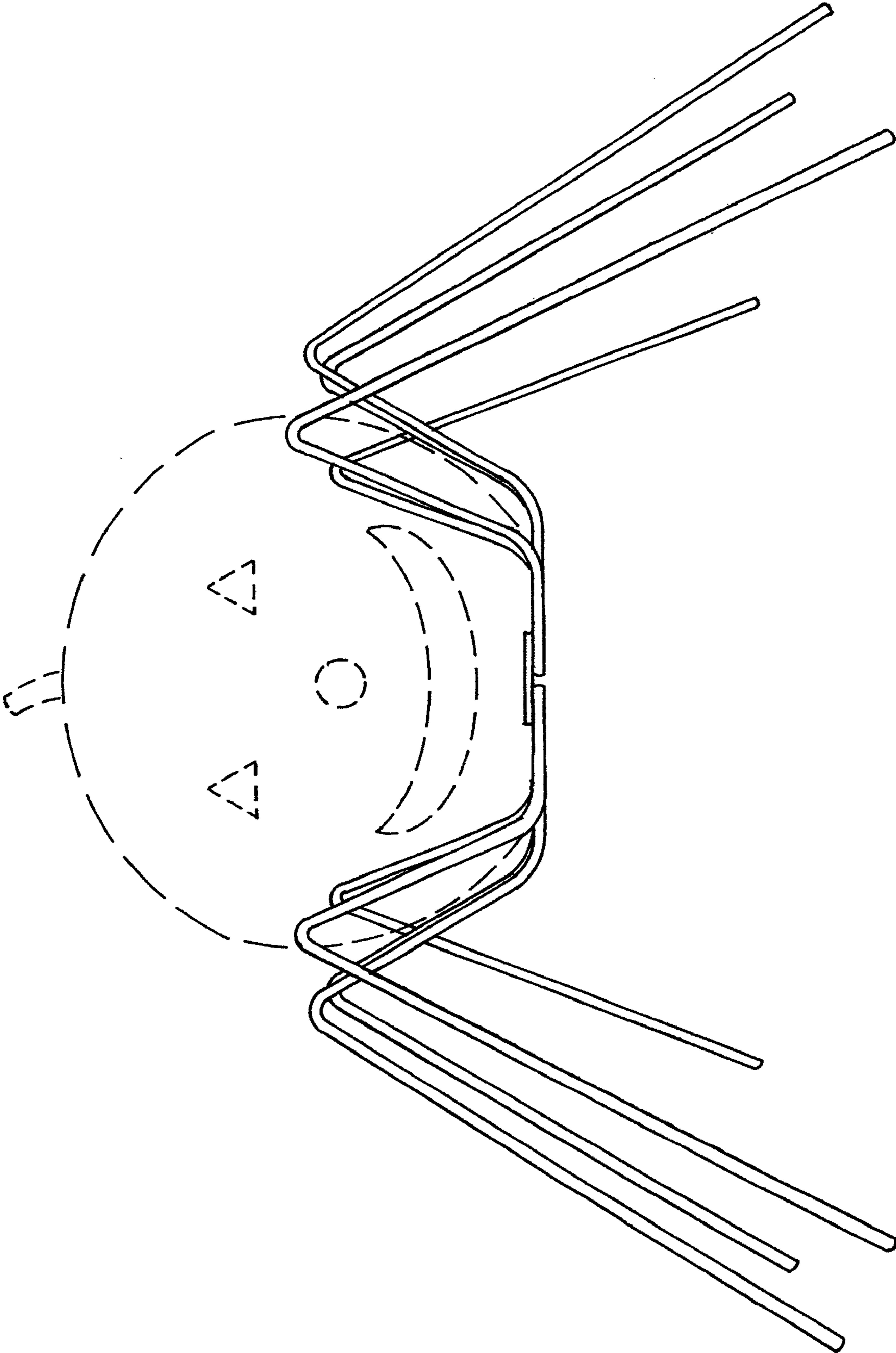


FIG. 1

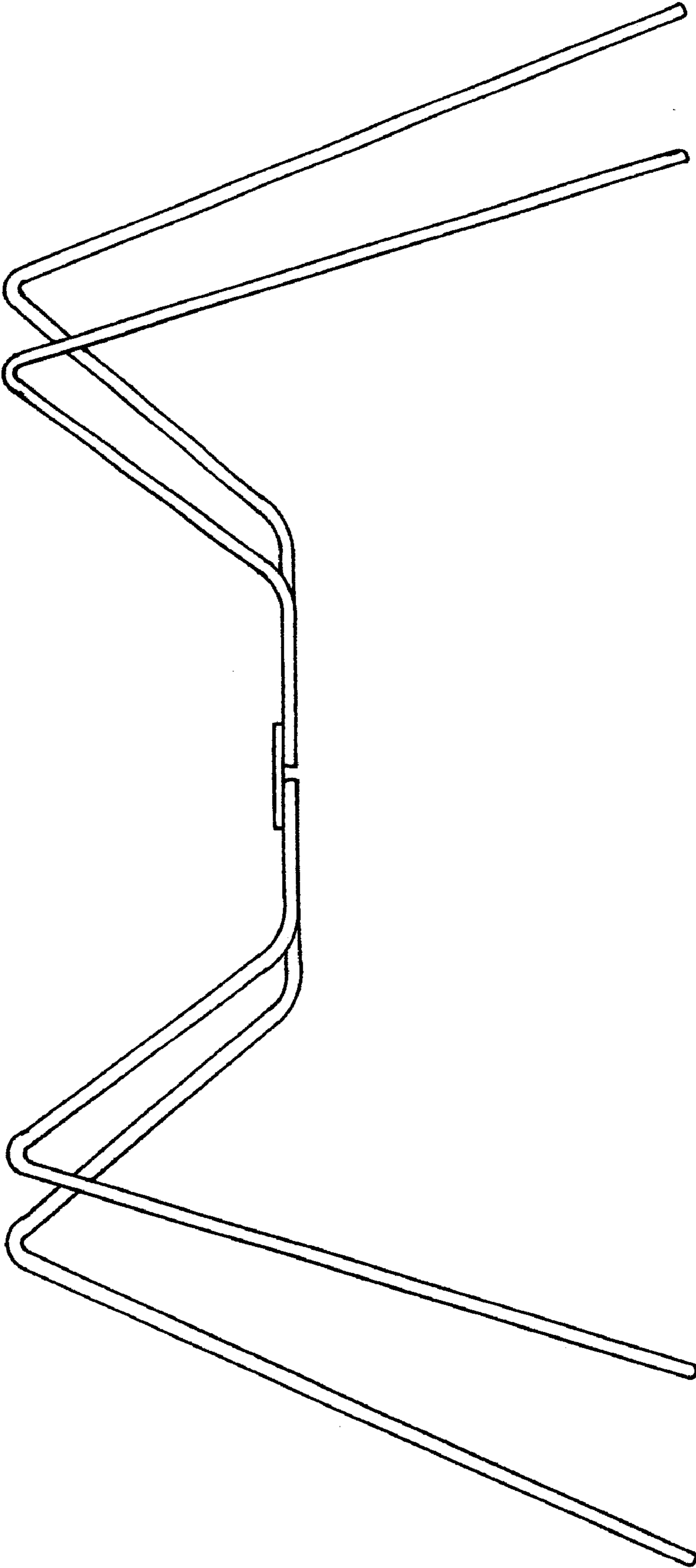


FIG. 2

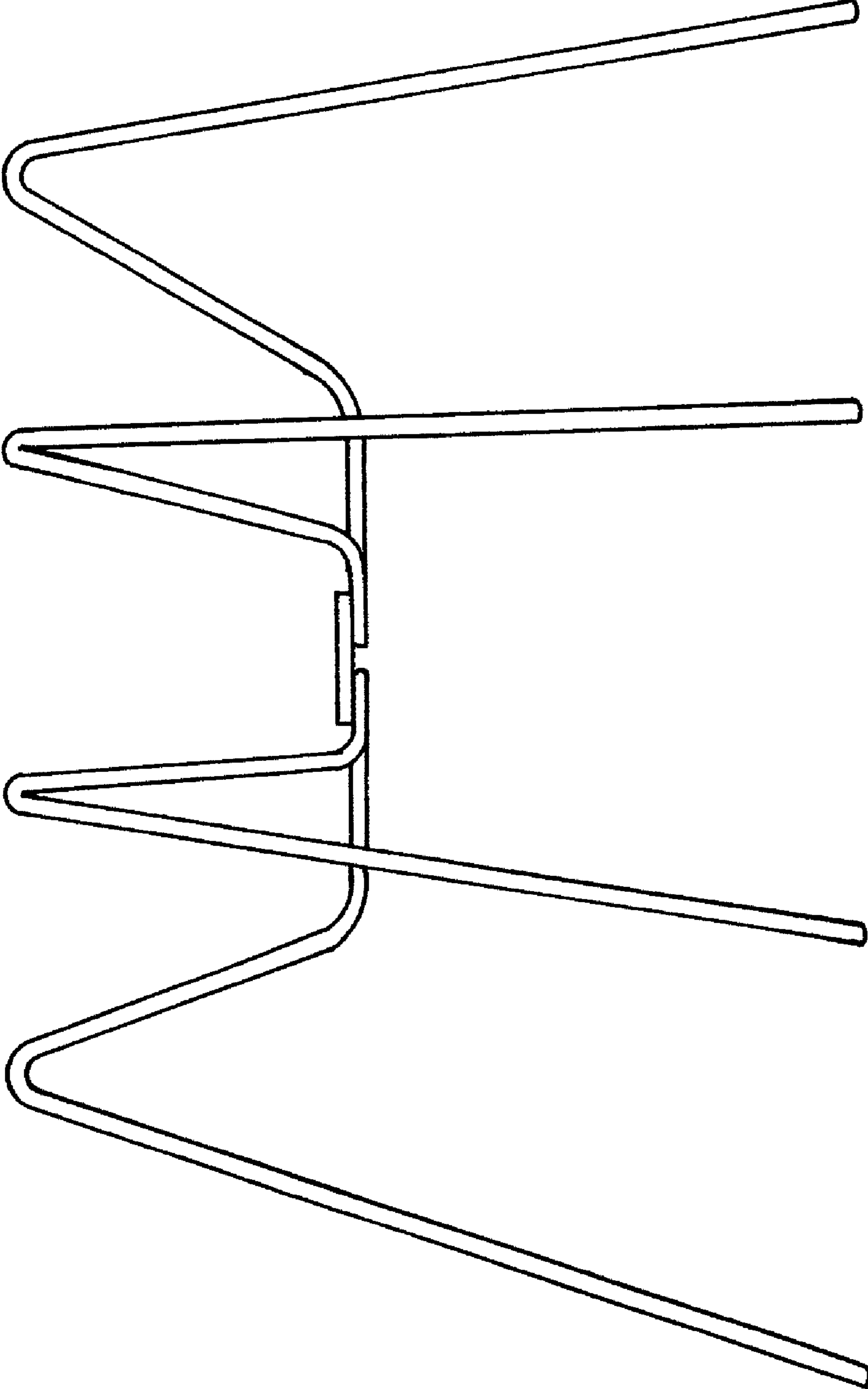


FIG. 3

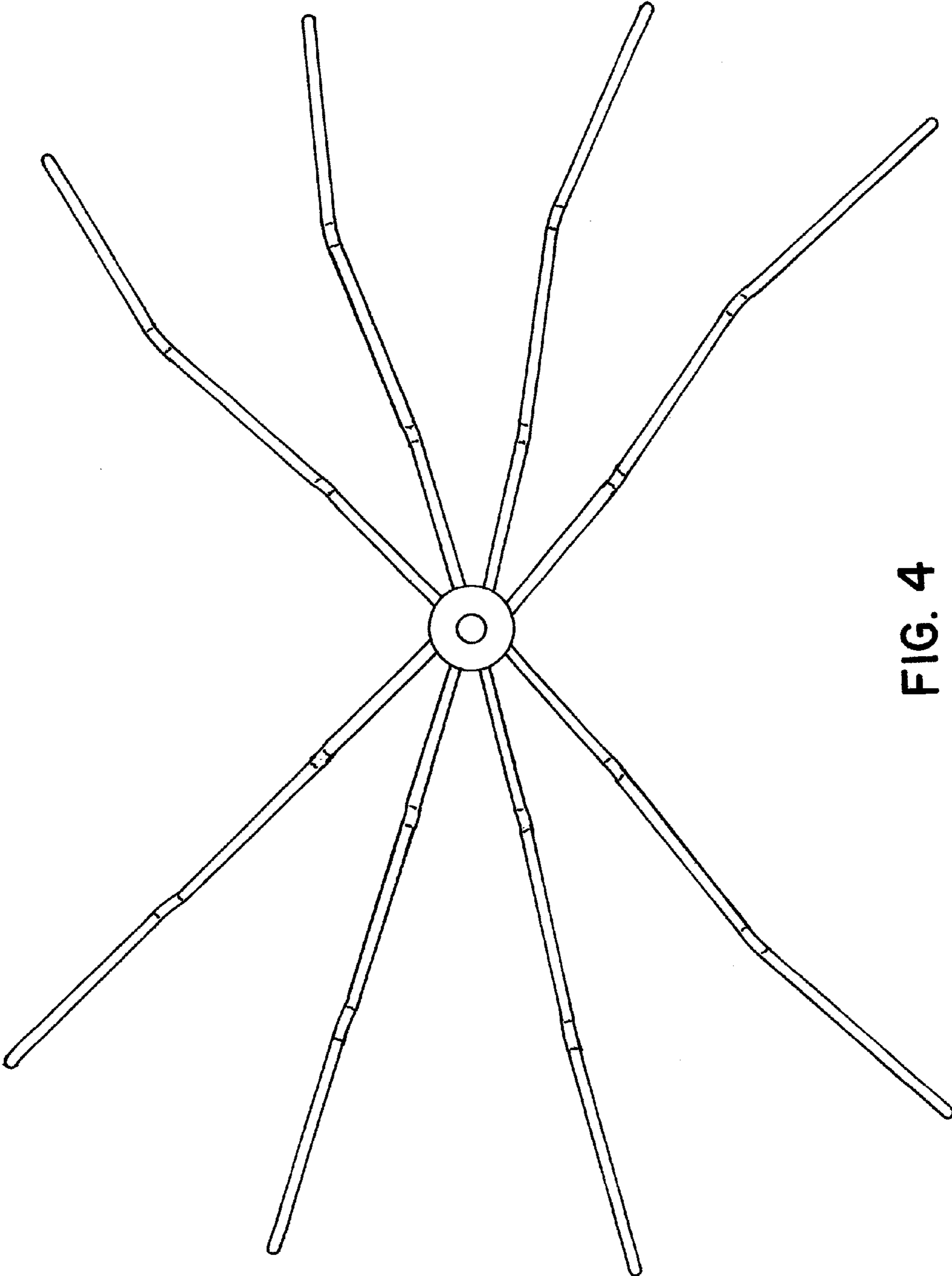


FIG. 4

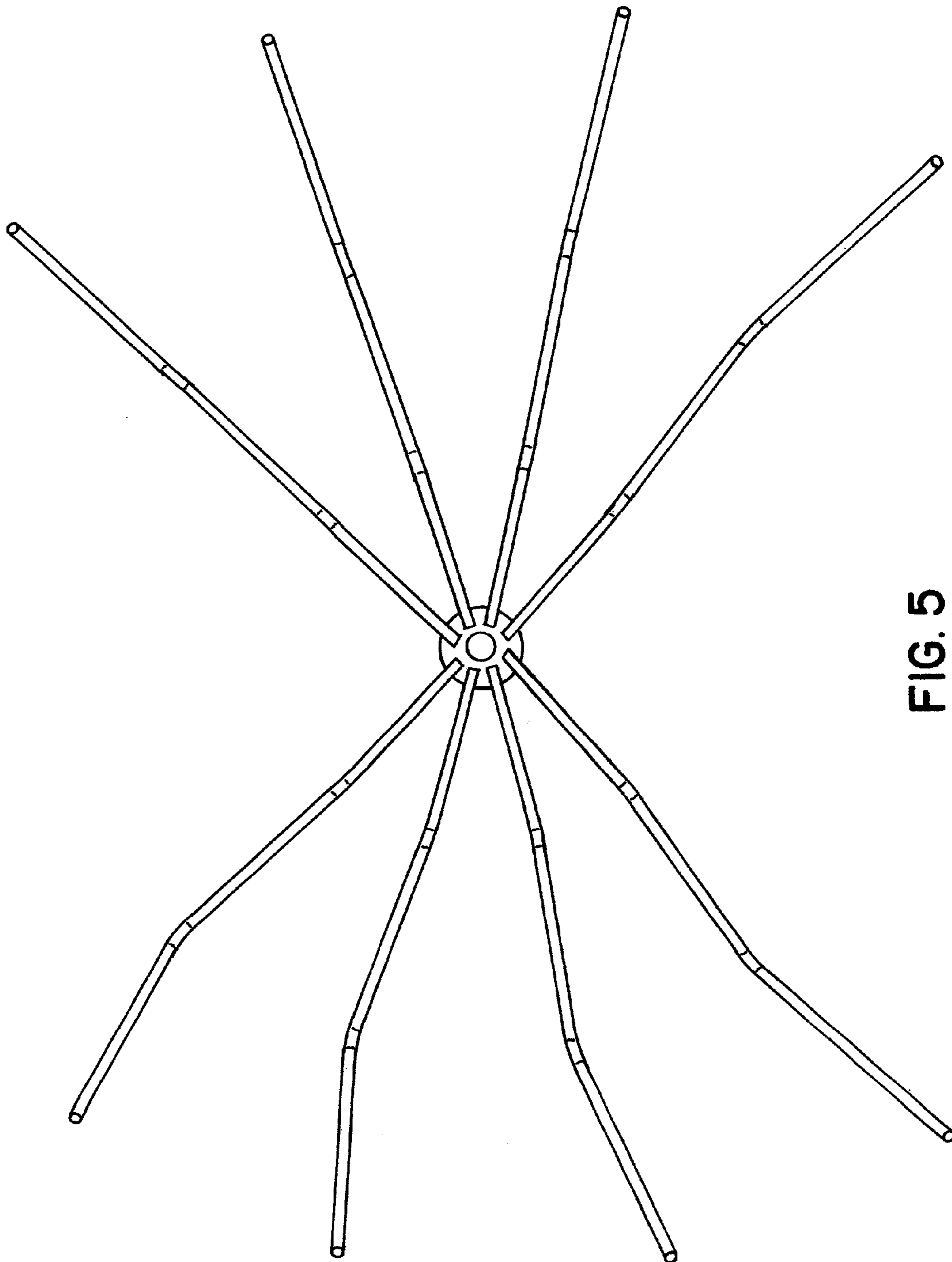


FIG. 5



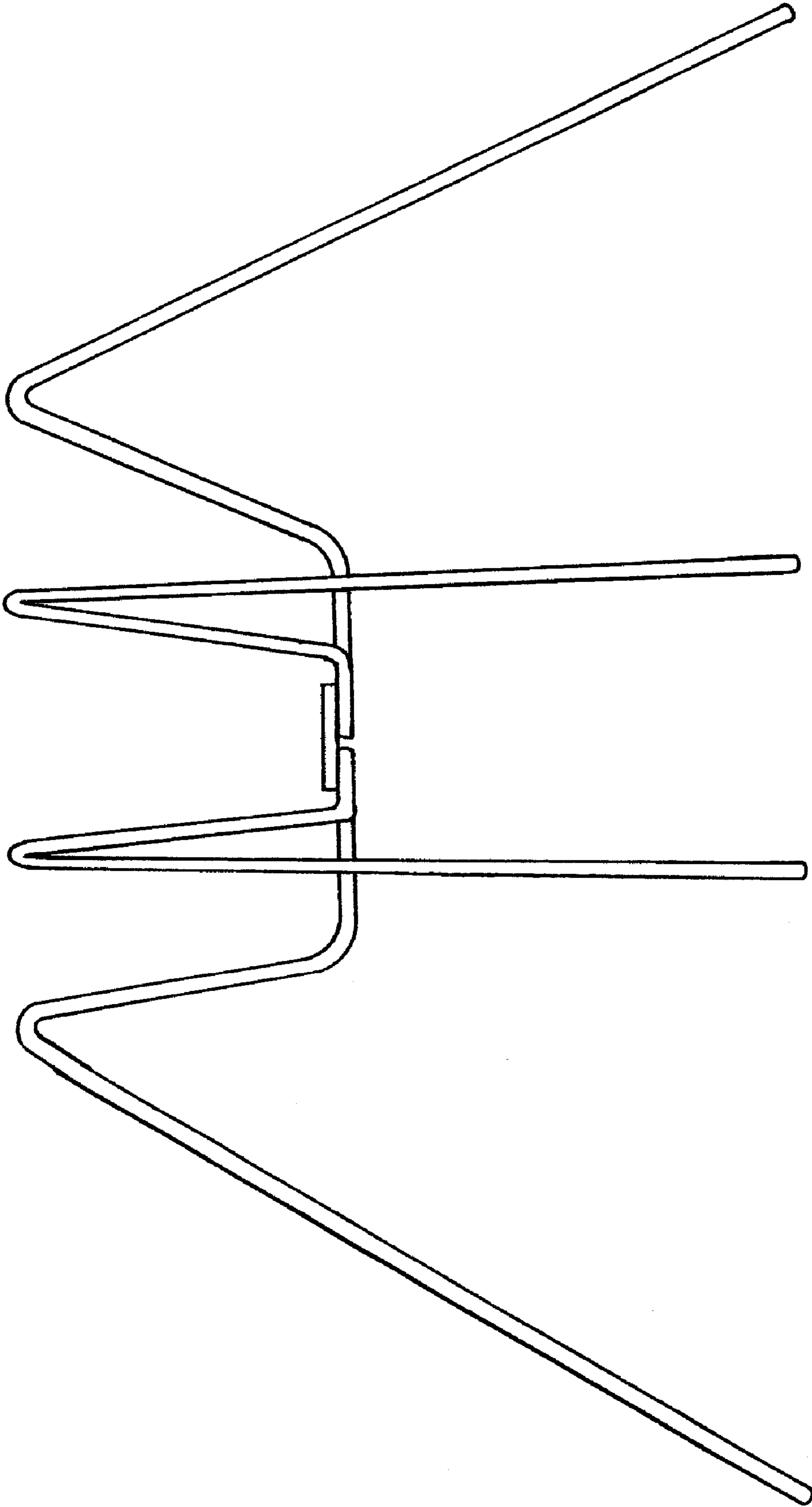


FIG. 6

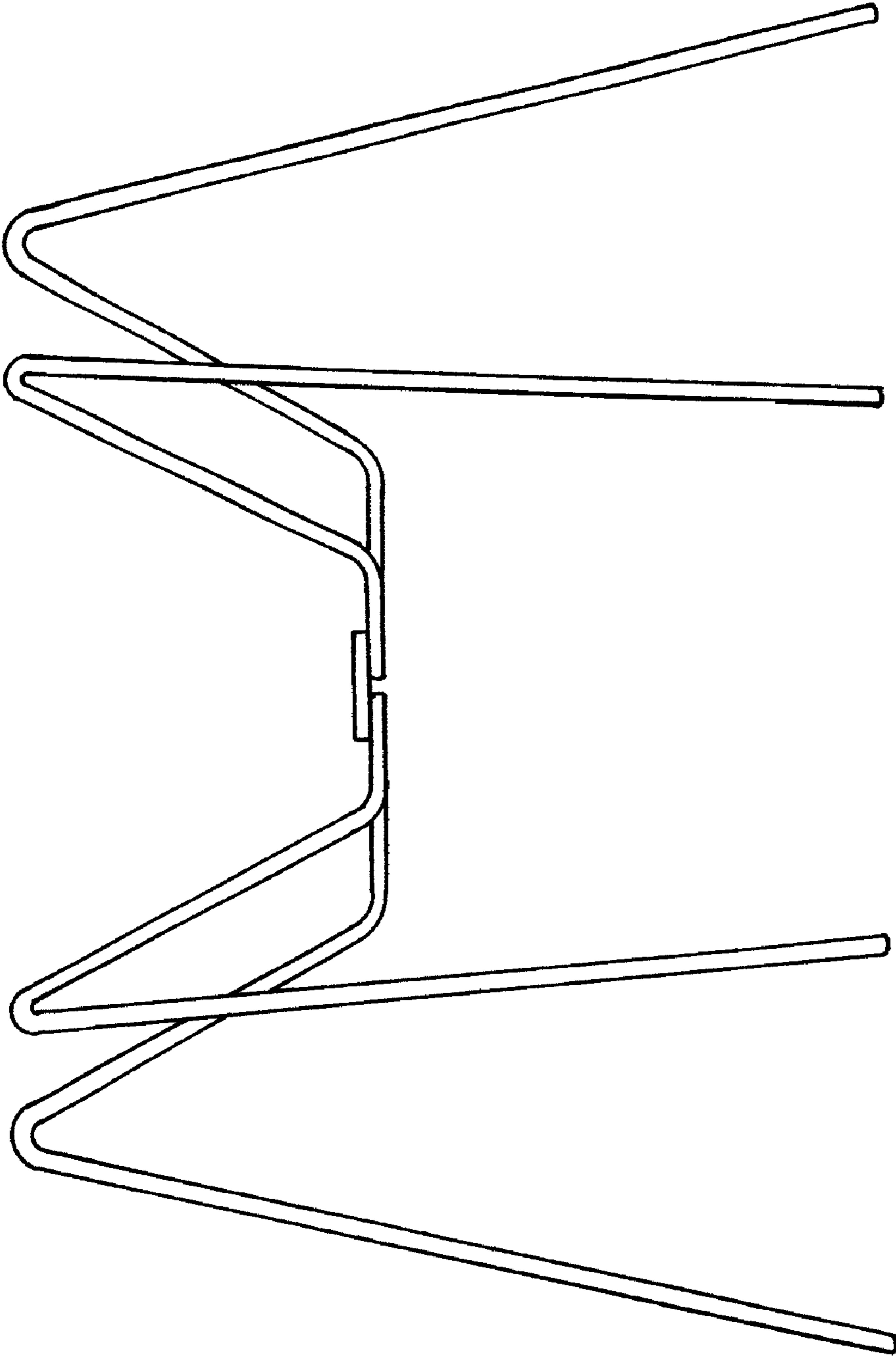


FIG. 7



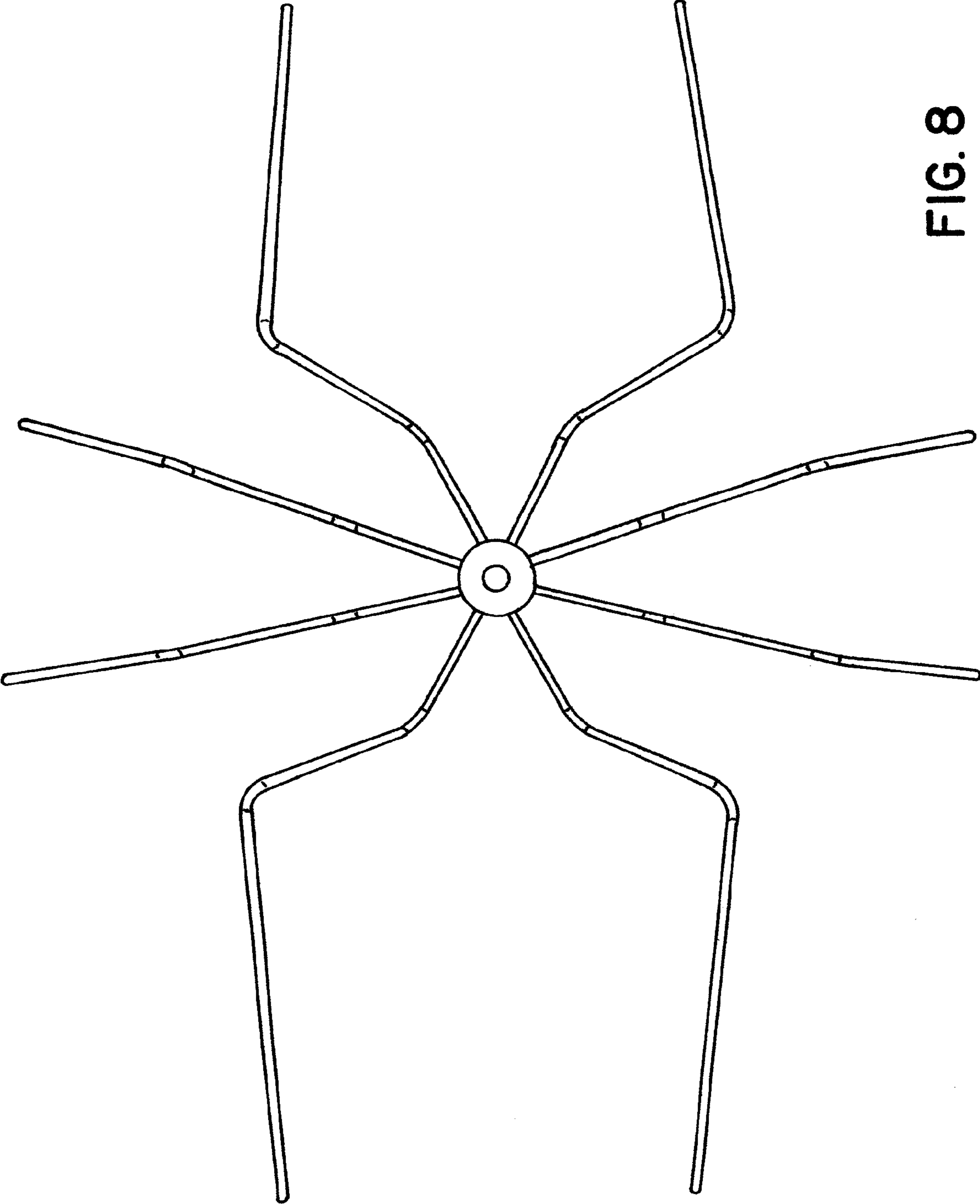


FIG. 8

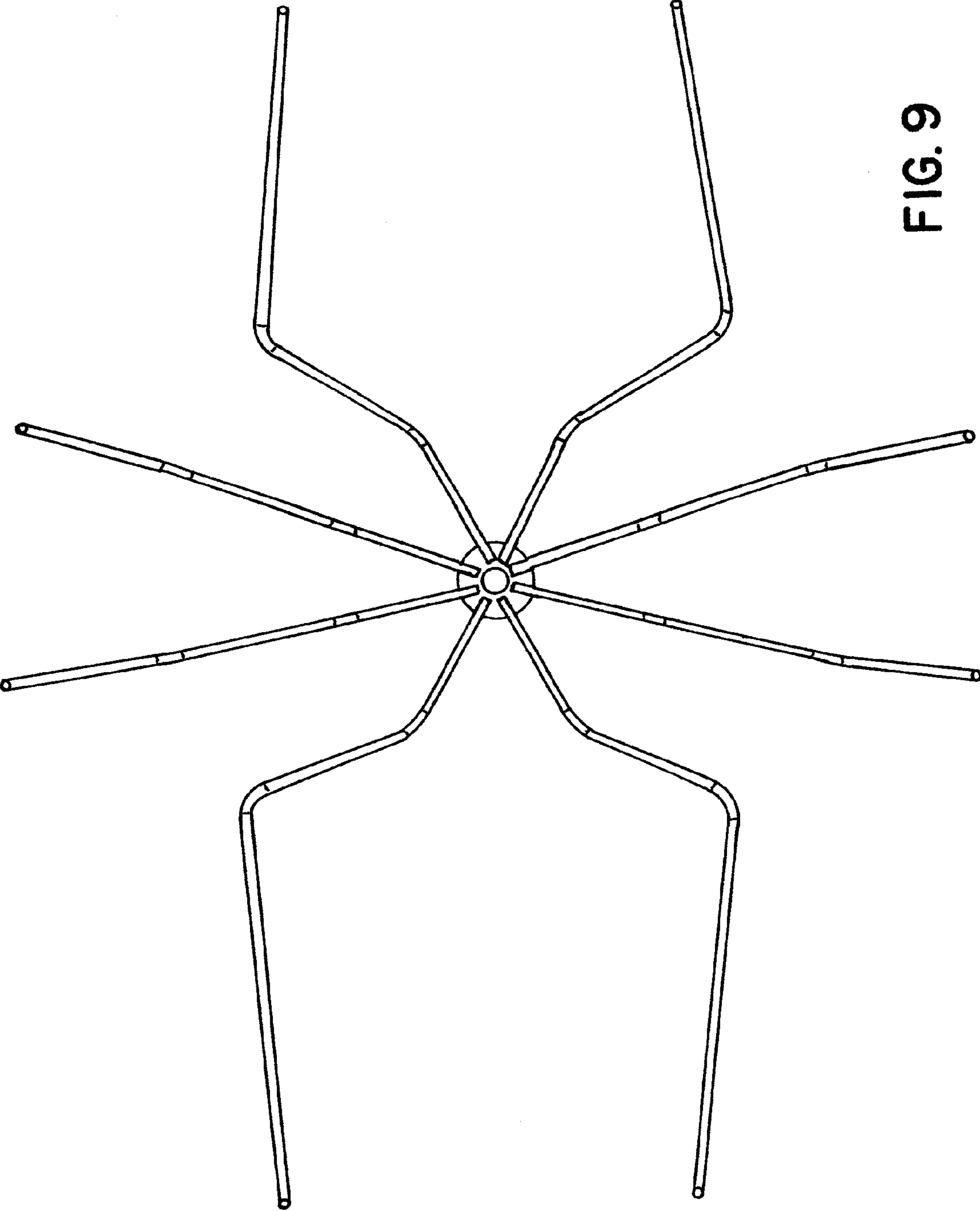


FIG. 9