



US00D520398S

(12) **United States Design Patent** (10) **Patent No.:** **US D520,398 S**
D'Annunzio (45) **Date of Patent:** **** May 9, 2006**

(54) **RING SHANK**
(75) Inventor: **Arthur D'Annunzio**, New York, NY (US)
(73) Assignee: **D'Annunzio Showcase Dealers, Inc.**, New York, NY (US)
(**) Term: **14 Years**
(21) Appl. No.: **29/231,988**
(22) Filed: **Jun. 13, 2005**

D115,931 S 8/1939 Kronstadt
2,182,876 A 12/1939 Moldenhaur
D118,591 S 1/1940 Cohn
2,239,302 A * 4/1941 Pritchard D11/36
D137,743 S 4/1944 Frackman D11/36
D140,548 S 3/1945 Klein
D145,213 S 7/1946 Hobe D11/56
D146,524 S 3/1947 Robbins
D149,653 S 5/1948 Koven
2,472,893 A * 6/1949 Gerson 63/15.3
D167,120 S 6/1952 Sorrentino
D170,722 S 10/1953 Sager
D177,596 S 5/1956 Silmer D11/26
D186,990 S 1/1960 Berland
D203,551 S 1/1966 Tranfield
3,321,934 A 5/1967 Boyd
D220,640 S 5/1971 Darbo D11/56
D250,699 S 1/1979 Barr D11/56
D304,697 S 11/1989 Crews D11/56

Related U.S. Application Data

(62) Division of application No. 29/203,327, filed on Apr. 13, 2004.
(51) **LOC (8) Cl.** **11-01**
(52) **U.S. Cl.** **D11/37**
(58) **Field of Classification Search** D11/3,
D11/26-39, 90-92; 63/15, 15.1-15.4, 15.45,
63/15.5-15.6, 15.65, 15.7-15.9, 26-28
See application file for complete search history.

(Continued)

FOREIGN PATENT DOCUMENTS

DE 44 25 746 A1 1/1995

OTHER PUBLICATIONS

Platinum Guild International USA,; Edition VII; 1999, pg. 80-middle right side of page.

Primary Examiner—Louis S. Zarfes
Assistant Examiner—Melanie Levy
(74) *Attorney, Agent, or Firm*—Ohlandt, Greeley, Ruggiero & Perle, L.L.P.

(56) **References Cited**

U.S. PATENT DOCUMENTS

72,224 A 12/1867 Palmer
D12,957 S 6/1882 Henrich D11/26
298,100 A 5/1884 Lee
D48,232 S 11/1915 Rosenberger
D48,763 S 3/1916 Roede
D51,891 S 3/1918 Simmons D11/36
1,325,840 A 12/1919 Feagans
1,333,284 A 3/1920 Schreiber
D58,601 S 8/1921 Kreisler
D60,418 S 2/1922 Kreisler
D60,495 S 2/1922 Kreisler
D62,727 S 7/1923 Hodnefield
D63,993 S 2/1924 Brogan D11/35
D65,362 S 7/1924 Wittstein et al.
D79,259 S 8/1929 Schaeffer
1,758,447 A 5/1930 Leibs
1,936,604 A 11/1933 Moldenhauer
D109,800 S 5/1938 Foss

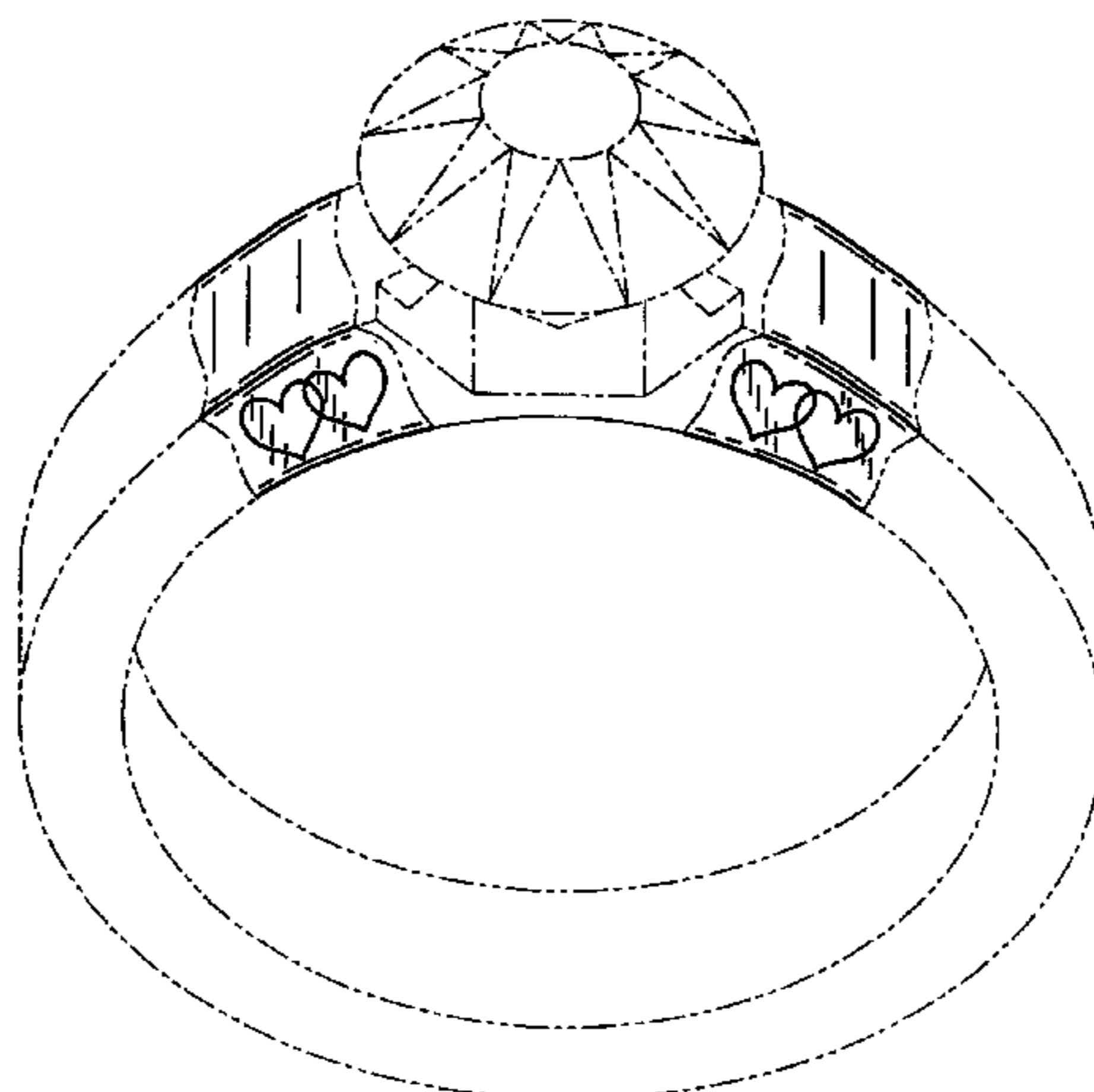
(57) **CLAIM**

The ornamental design for a ring shank, as shown and described.

DESCRIPTION

FIG. 1 is a perspective view of a ring shank showing my new design; and,
FIG. 2 is a plan view of the ring shank of FIG. 1.
The broken line showing in FIGS. 1 and 2 is for illustrative purposes only and forms no part of the claimed design.

1 Claim, 1 Drawing Sheet



US D520,398 S

Page 2

U.S. PATENT DOCUMENTS

D309,276 S	*	7/1990	Mejias	D11/26	D423,393 S		4/2000	Morris	
D345,715 S	*	4/1994	Hundt	D11/4	D431,792 S		10/2000	Ferreira	
5,398,525 A	*	3/1995	Kennedy	63/28	D434,687 S		12/2000	Pasquetti	
D364,830 S		12/1995	Roemer			6,212,908 B1		4/2001	Melas	
D372,682 S	*	8/1996	Roemer	D11/34	D442,509 S		5/2001	Yamanaka	
D377,769 S		2/1997	Roemer			D443,845 S		6/2001	Gruosi D11/26
D377,916 S		2/1997	Roemer			D451,423 S	*	12/2001	Ambar D11/34
D383,410 S		9/1997	Roemer			D453,486 S		2/2002	Azillig D11/38
5,669,241 A		9/1997	Kohl			D464,900 S		10/2002	Repossi	
D390,153 S		2/1998	Shenhav	D11/56	D471,837 S		3/2003	Valentini et al.	
D393,227 S	*	4/1998	Roemer	D11/34	D472,494 S		4/2003	Valentini et al.	
D393,811 S		4/1998	Morrison			6,581,413 B1		6/2003	Kadosh	
D395,256 S		6/1998	Udko	D11/56	D480,321 S		10/2003	Roemer	
D400,120 S		10/1998	Itzkowitz	D11/26	D484,823 S		1/2004	Pachachi D11/56
D414,132 S		9/1999	Ambar	D11/30	D488,739 S		4/2004	Pachachi D11/56
D415,711 S		10/1999	Pasquetti	D11/26	D490,740 S		6/2004	Pluchenik et al. D11/30
5,987,919 A		11/1999	Hooser			6,851,278 B1	*	2/2005	Keenan D11/34
D418,078 S		12/1999	Pasquetti							

* cited by examiner

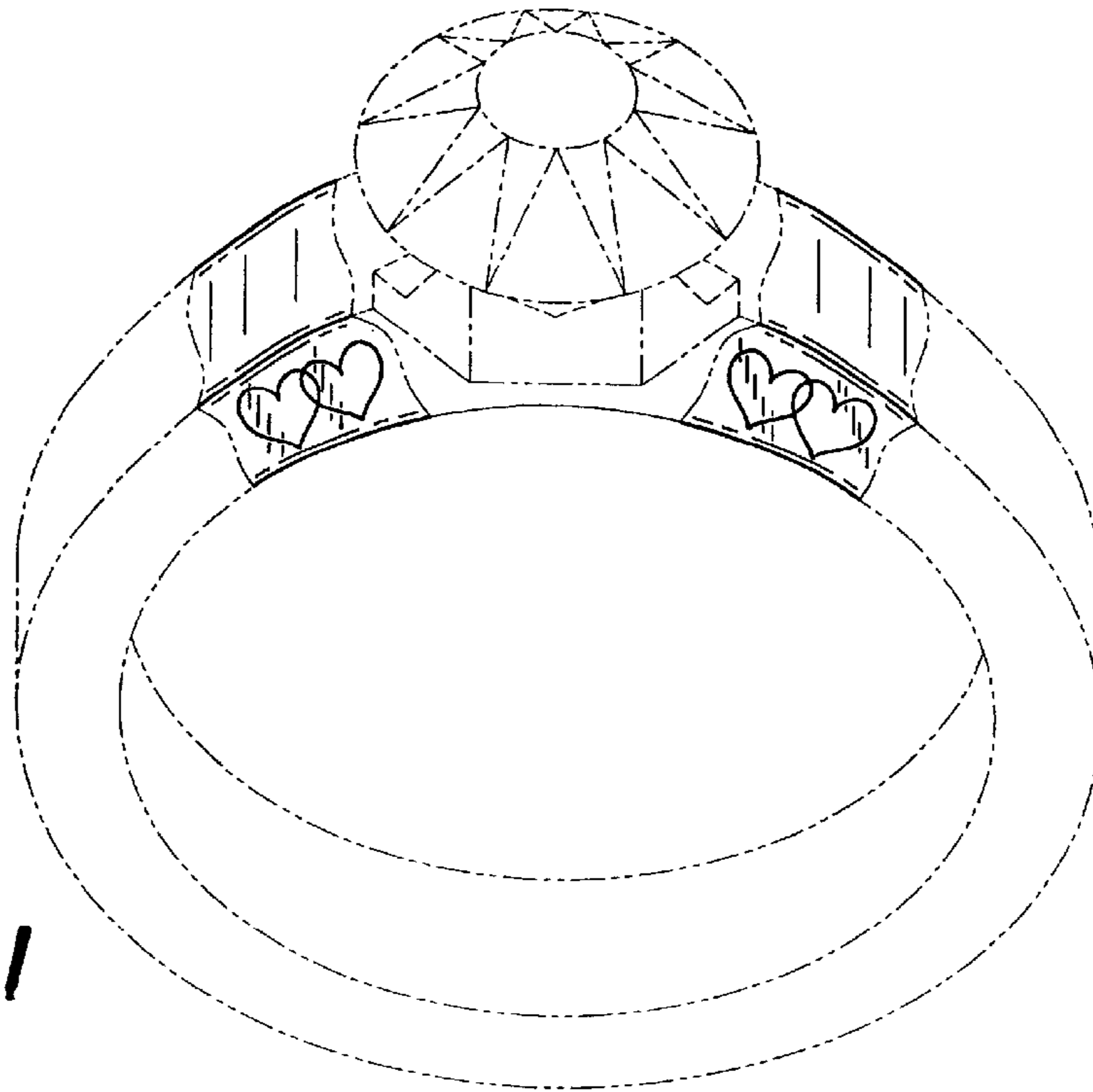


FIG. 1

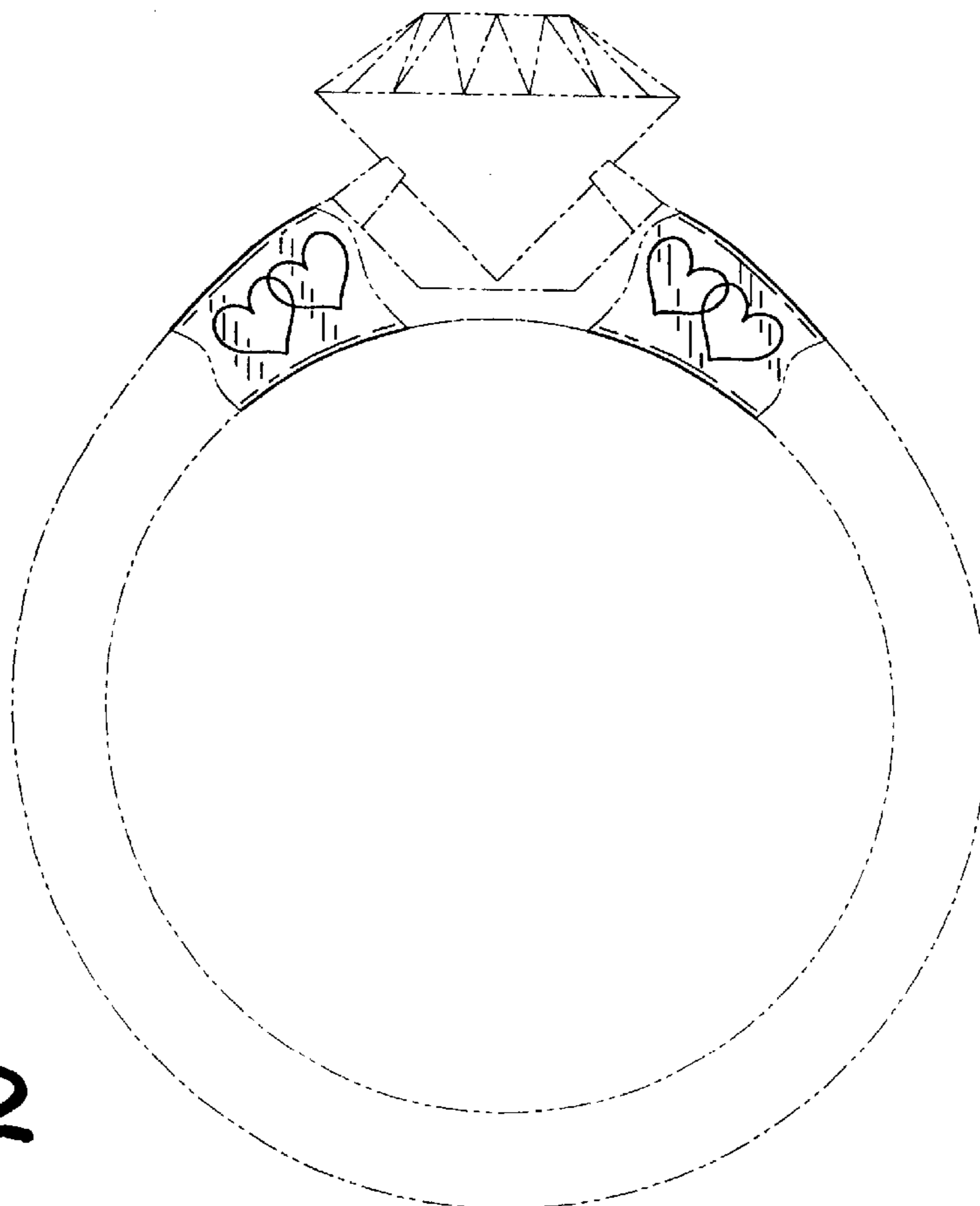


FIG. 2