



US00D520392S

(12) **United States Design Patent**
Arno et al.

(10) **Patent No.:** **US D520,392 S**
(45) **Date of Patent:** **** May 9, 2006**

(54) **INLINE, POINT-OF-USE AIR/GAS DRYNESS INDICATOR**

(75) Inventors: **Michael J. Arno**, 5850 Kraus Rd., Clarence, NY (US) 14031; **Allan A. Hoerner**, Alden, NY (US)

(73) Assignee: **Michael J. Arno**, Clarence, NY (US)

(**) Term: **14 Years**

(21) Appl. No.: **29/212,498**

(22) Filed: **Sep. 1, 2004**

(51) **LOC (8) Cl.** **10-04**

(52) **U.S. Cl.** **D10/96**

(58) **Field of Classification Search** D10/96;
55/515; 73/49.2, 293, 321-323, 334, 861.55;
96/108, 147; 116/276; 137/559; 250/577
See application file for complete search history.

(56) **References Cited**

U.S. PATENT DOCUMENTS

D305,209 S	*	12/1989	Esau	D10/96
4,982,760 A	*	1/1991	Mustaklem	137/559
D315,526 S	*	3/1991	Esau	D10/96
D342,033 S	*	12/1993	Mealer	D10/96
D412,454 S	*	8/1999	Berkelhammer	D10/96
6,116,274 A	*	9/2000	Ehrlich	137/559
6,135,140 A	*	10/2000	Grandinetti	137/559
6,234,018 B1	*	5/2001	Kelada	73/323
6,289,726 B1	*	9/2001	Ferris et al.	116/276

* cited by examiner

Primary Examiner—Antoine D. Davis

(74) *Attorney, Agent, or Firm*—Walter W. Duft

(57) **CLAIM**

The ornamental design for an inline, point-of-use air/gas dryness indicator, as shown and described.

DESCRIPTION

FIG. 1 is a perspective view showing a first embodiment of the design with removable moisture blocking end caps thereon;

FIG. 2 is a front elevation view of the first embodiment of the design, the opposing rear view of the design being identical thereto and therefore not illustrated;

FIG. 3 is a right side elevation view of the first embodiment of the design, the opposing left side view of the design being identical thereto and therefore not illustrated;

FIG. 4 is a top view of the first embodiment of the design, the opposing bottom view of the design being identical thereto and therefore not illustrated;

FIG. 5 is a perspective view showing a second embodiment of the design with removable moisture blocking end caps thereon;

FIG. 6 is a front elevation view of the second embodiment of the design, the opposing rear view of the design being identical thereto and therefore not illustrated;

FIG. 7 is a right side elevation view of the second embodiment of the design, the opposing left side view of the design being identical thereto and therefore not illustrated;

FIG. 8 is a top view of the second embodiment of the design; FIG. 9 is a bottom view of the second embodiment of the design;

FIG. 10 is a perspective view showing a third embodiment of the design with removable moisture blocking end caps thereon;

FIG. 11 is a front elevation view of the third embodiment of the design, the opposing rear view of the design being identical thereto and therefore not illustrated;

FIG. 12 is a right side elevation view of the third embodiment of the design, the opposing left side view of the design being identical thereto and therefore not illustrated; and

FIG. 13 is a top view of the third embodiment of the design, the opposing bottom view of the design being identical thereto and therefore not illustrated;

FIG. 14 is a perspective view showing a fourth embodiment of the design with the moisture blocking end caps removed;

FIG. 15 is a front elevation view of the fourth embodiment of the design, the opposing rear view of the design being identical thereto and therefore not illustrated;

FIG. 16 is a right side elevation view of the fourth embodiment of the design, the opposing left side view of the design being identical thereto and therefore not illustrated;

FIG. 17 is a top view of the fourth embodiment of the design, the opposing bottom view of the design being identical thereto and therefore not illustrated;

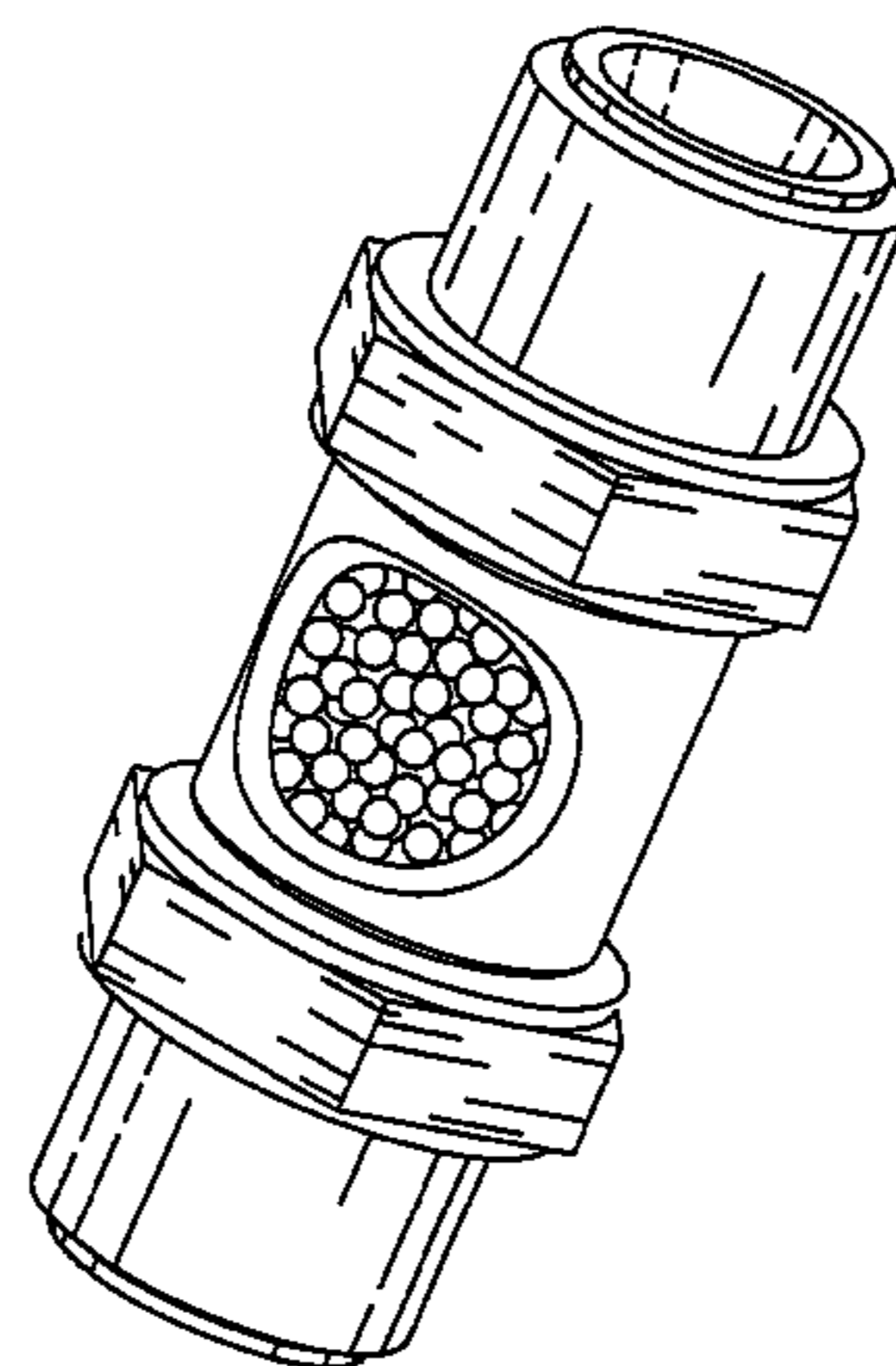


FIG. **18** is a perspective view showing a fifth embodiment of the design with the moisture blocking end caps removed;
FIG. **19** is a front elevation view of the fifth embodiment of the design, the opposing rear view of the design being identical thereto and therefore not illustrated;
FIG. **20** is a right side elevation view of the fifth embodiment of the design, the opposing left side view of the design being identical thereto and therefore not illustrated;
FIG. **21** is a top view of the fifth embodiment of the design;
FIG. **22** is a bottom view of the fifth embodiment of the design;
FIG. **23** is a perspective view showing a sixth embodiment of the design with the moisture blocking end caps removed;

FIG. **24** is a front elevation view of the sixth embodiment of the design, the opposing rear view of the design being identical thereto and therefore not illustrated;

FIG. **25** is a right side elevation view of the sixth embodiment of the design, the opposing left side view of the design being identical thereto and therefore not illustrated; and,

FIG. **26** is a top view of the sixth embodiment of the design, the opposing bottom view of the design being identical thereto and therefore not illustrated.

1 Claim, 18 Drawing Sheets

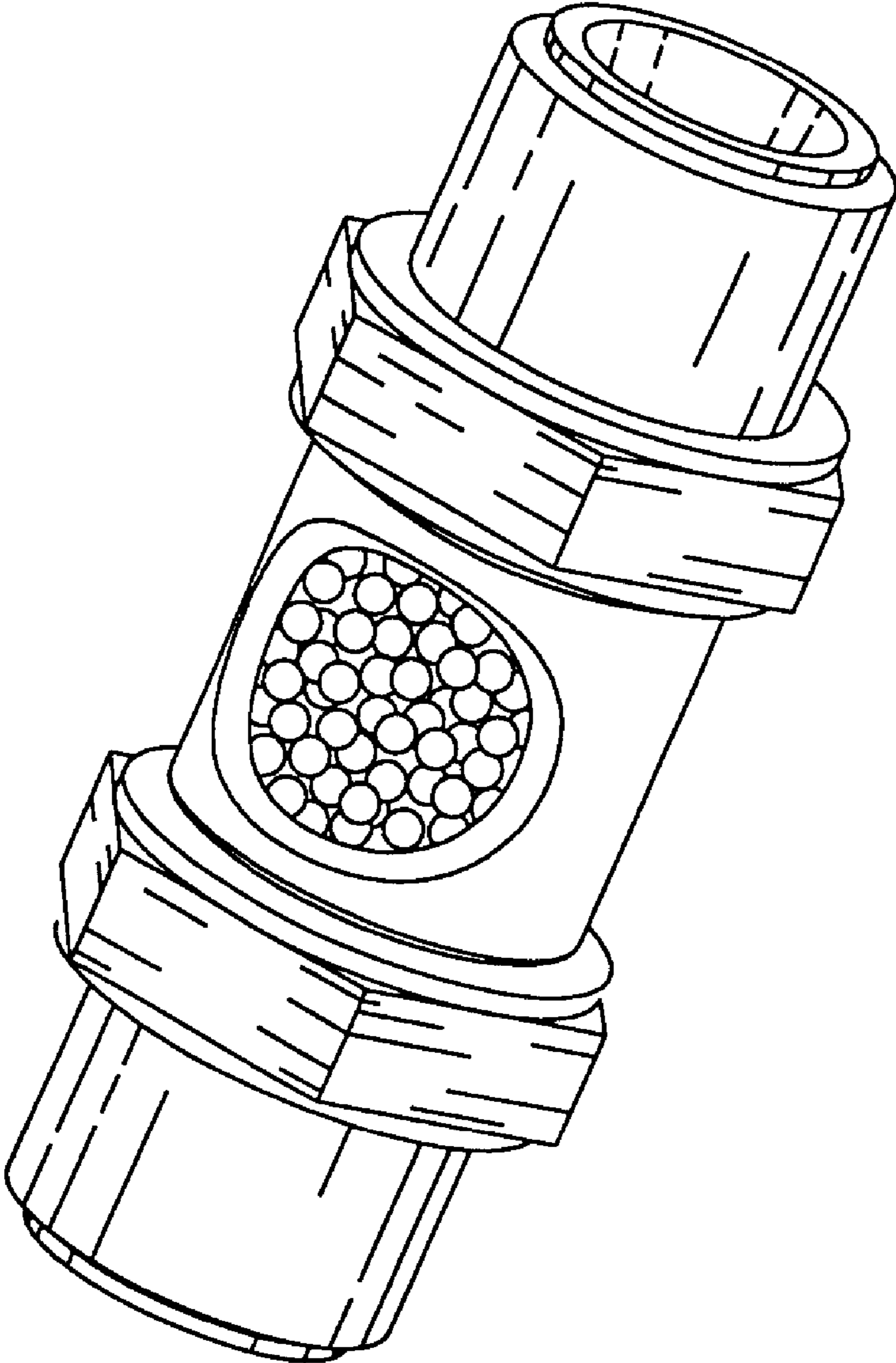


FIG. 1

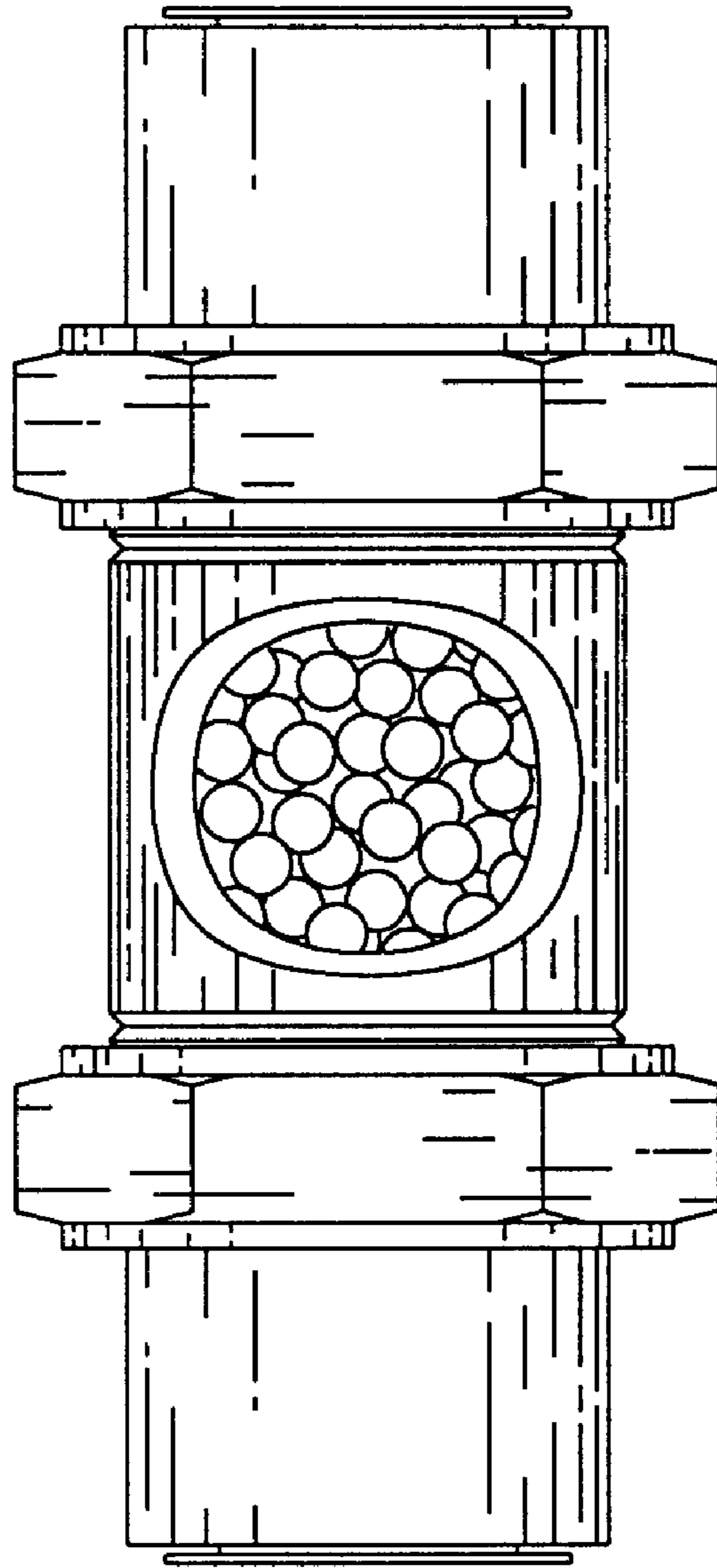


FIG. 2

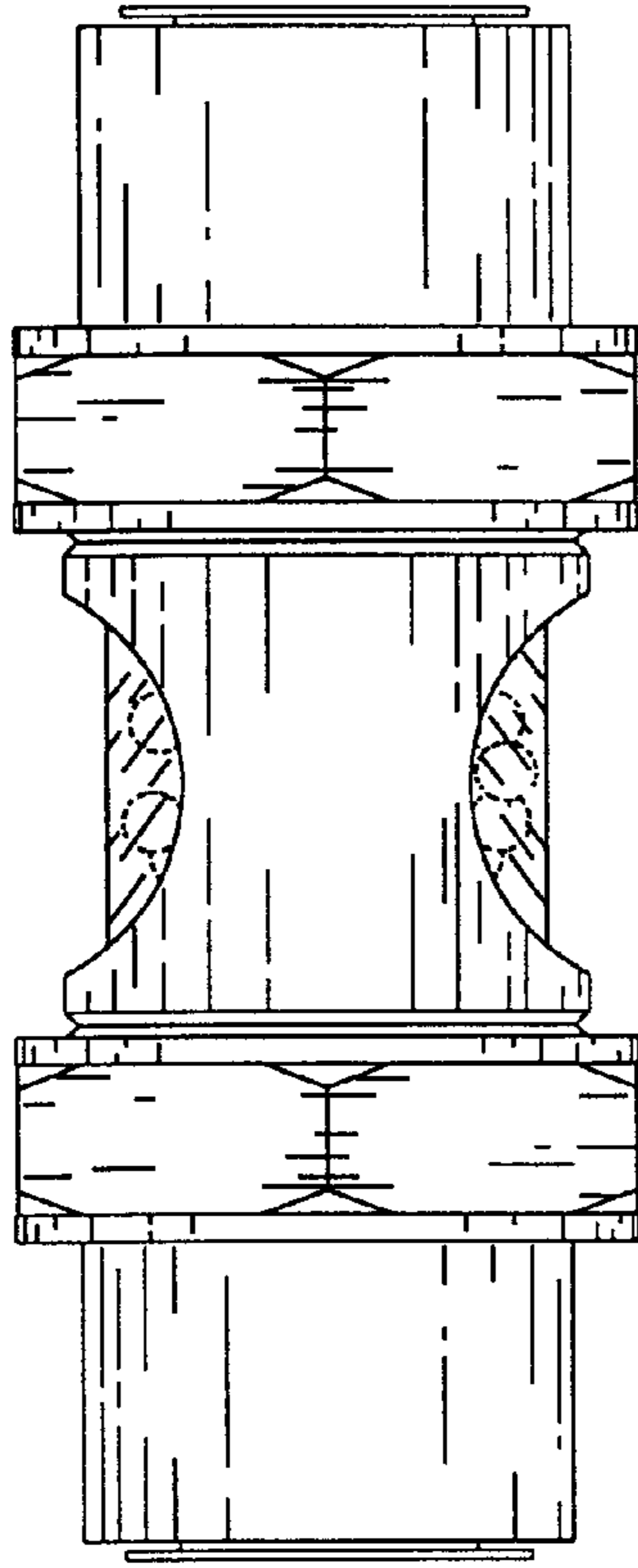


FIG. 3

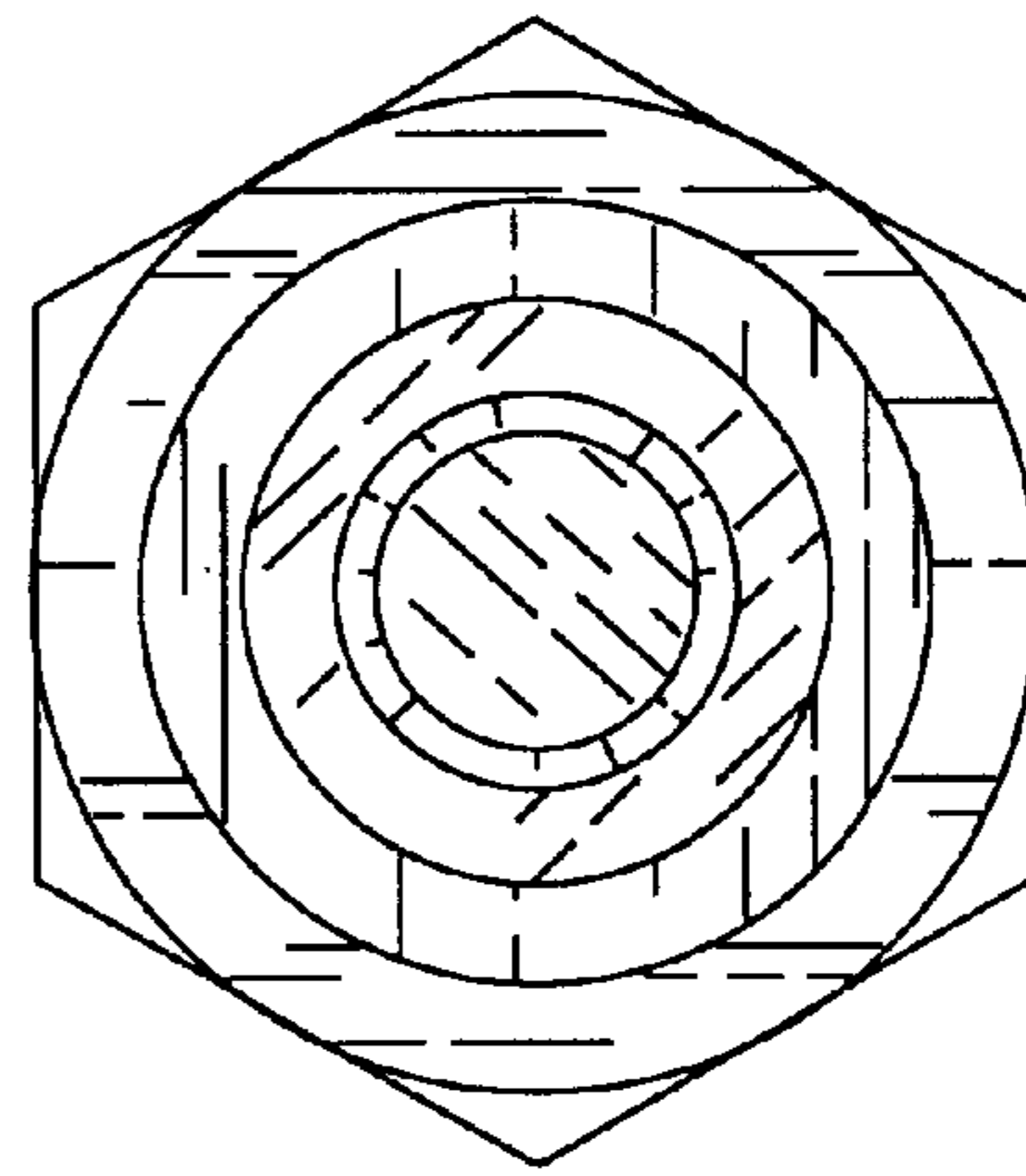


FIG. 4

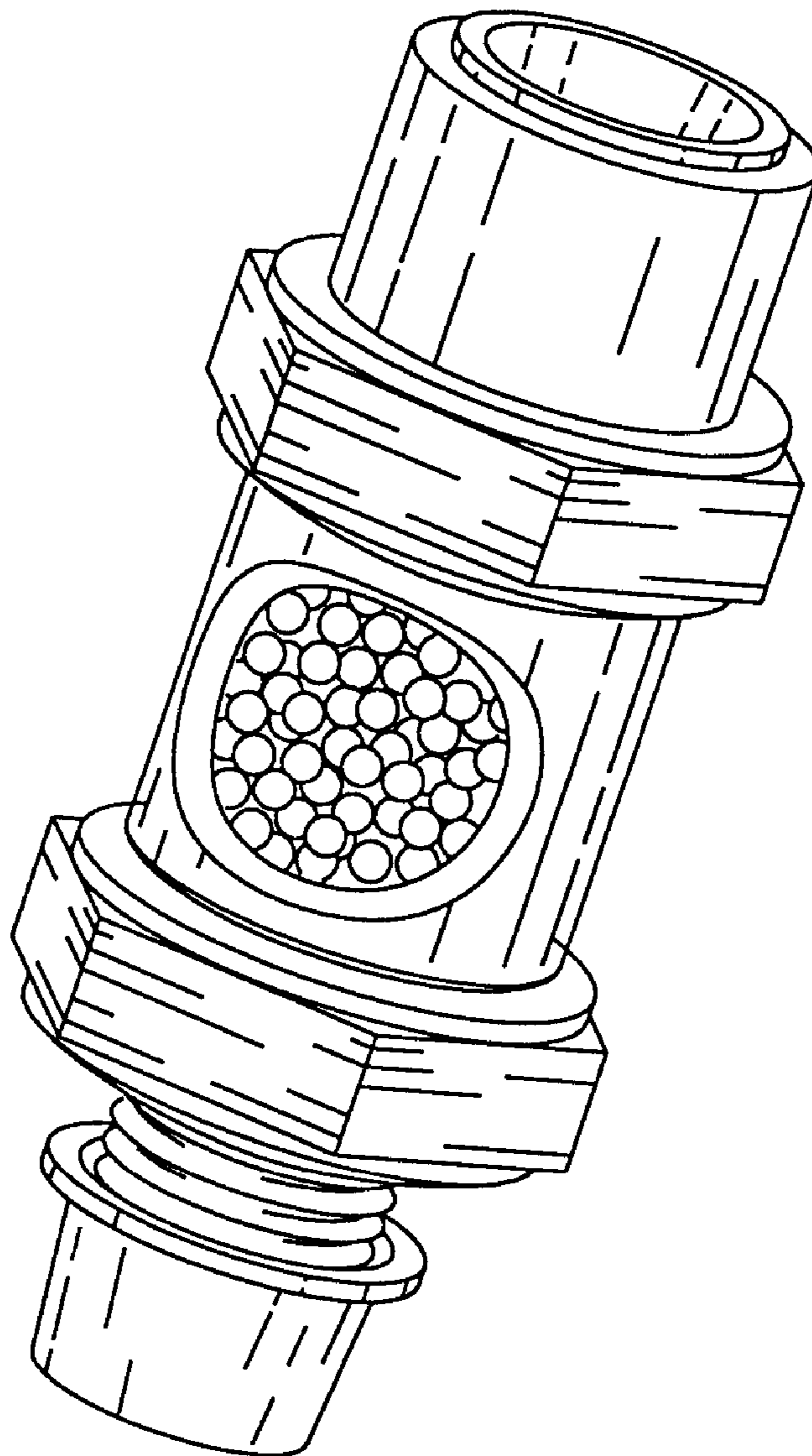


FIG. 5

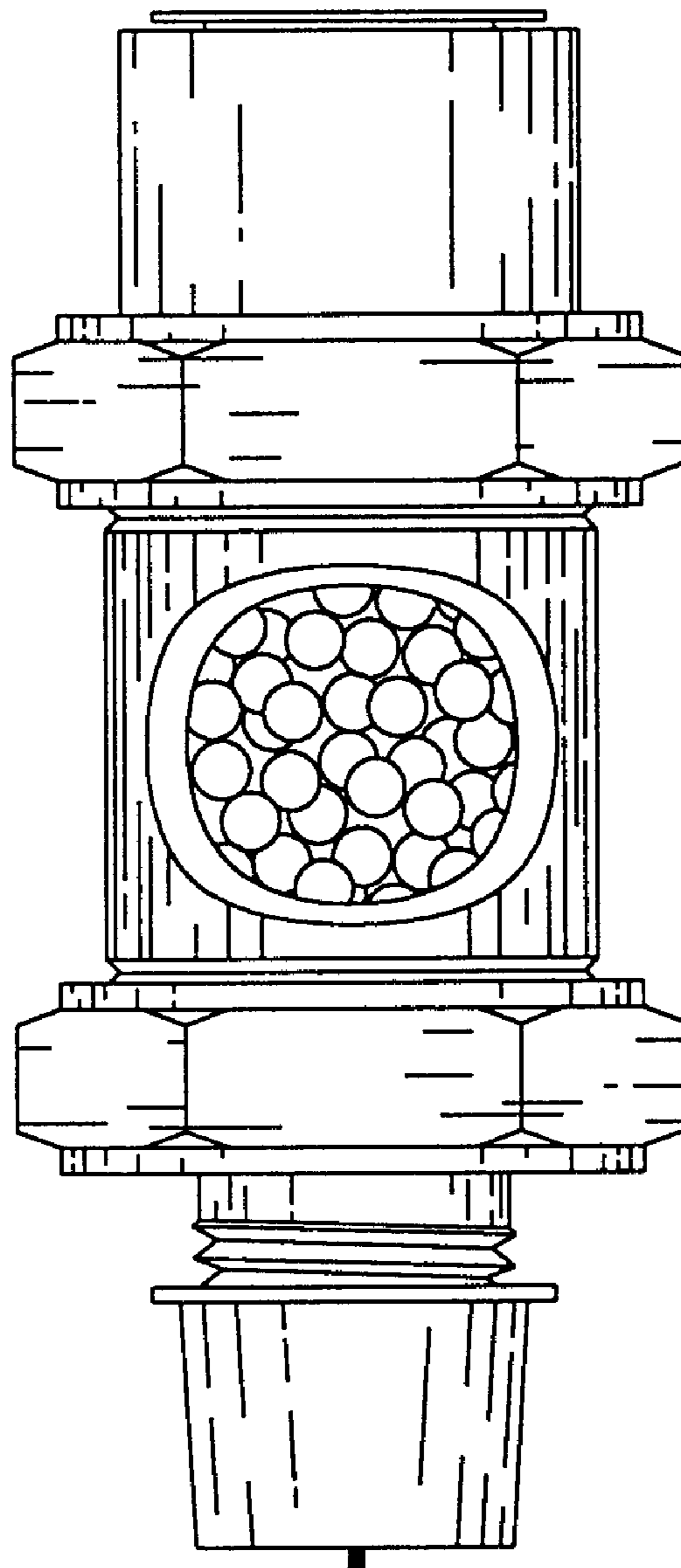


FIG. 6

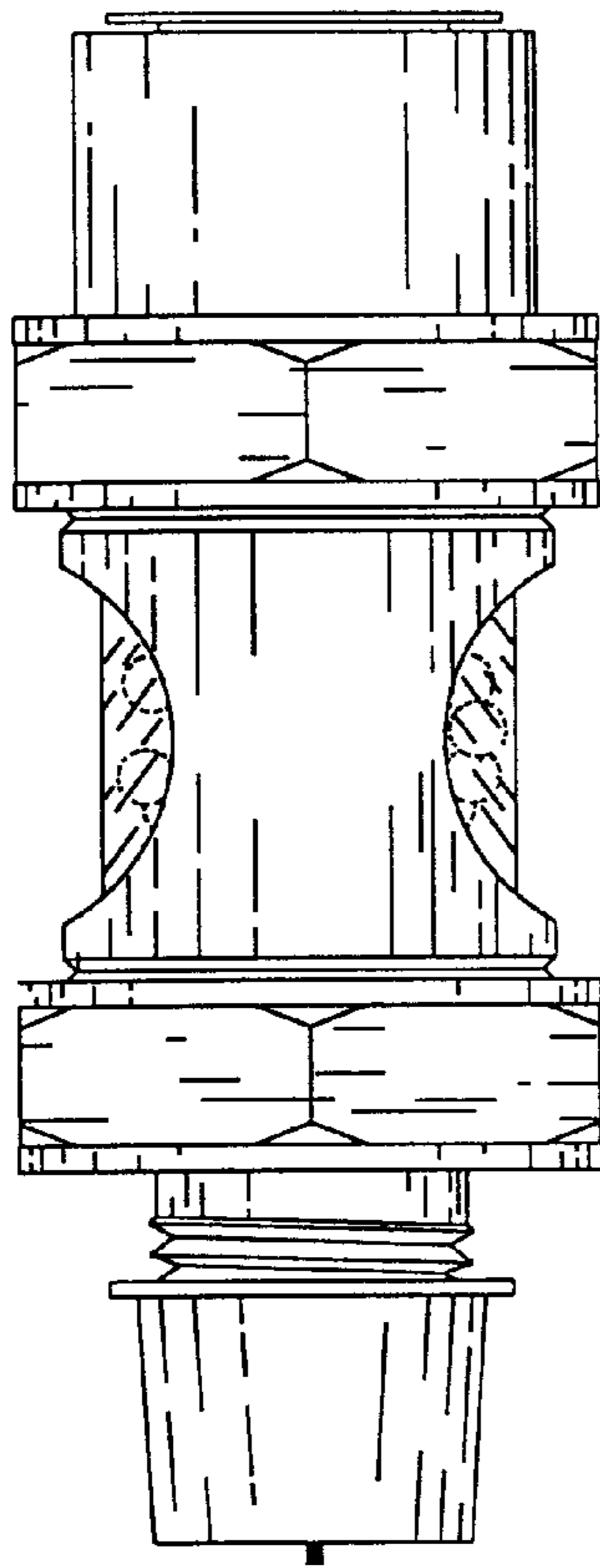


FIG. 7

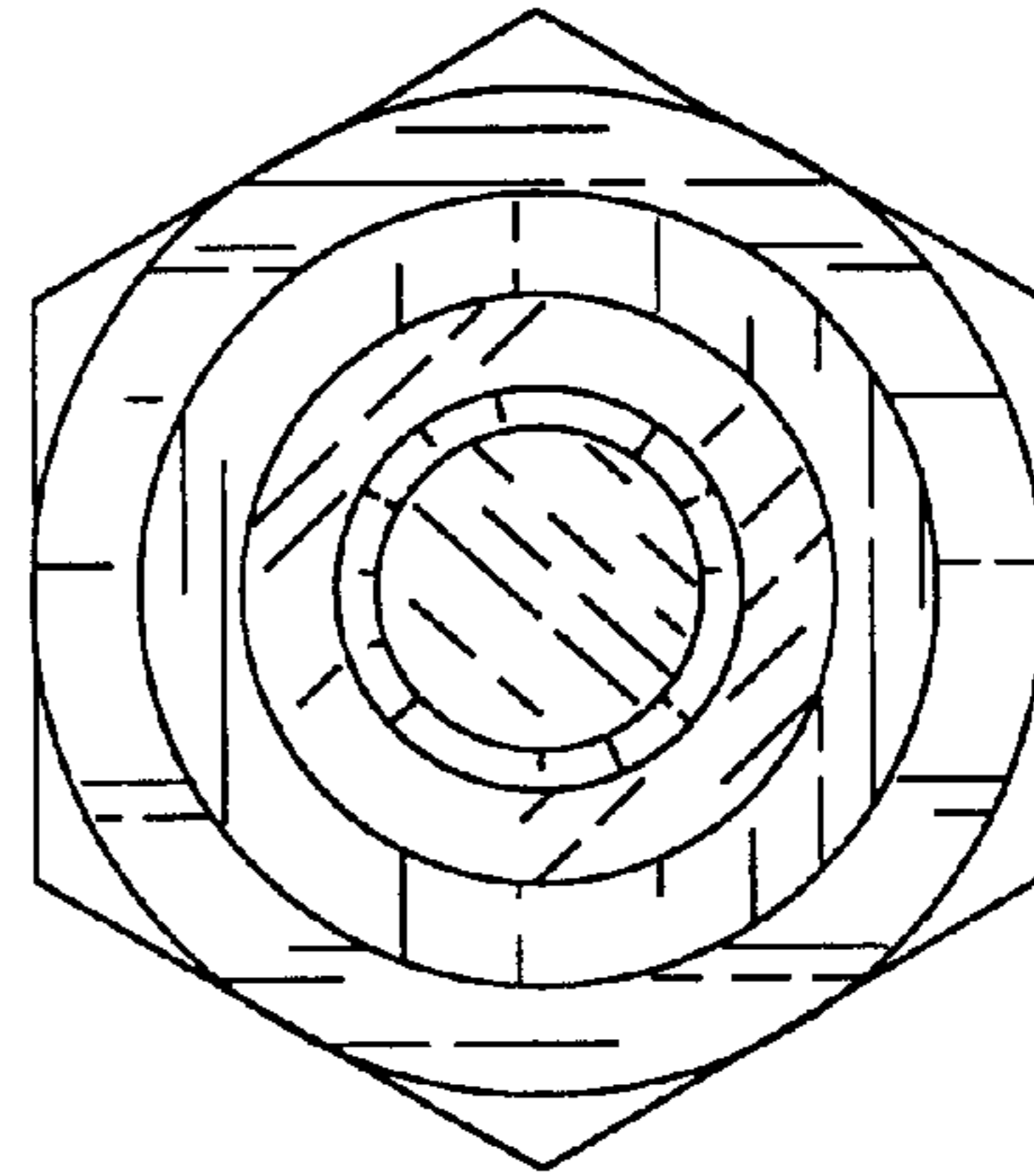


FIG. 8

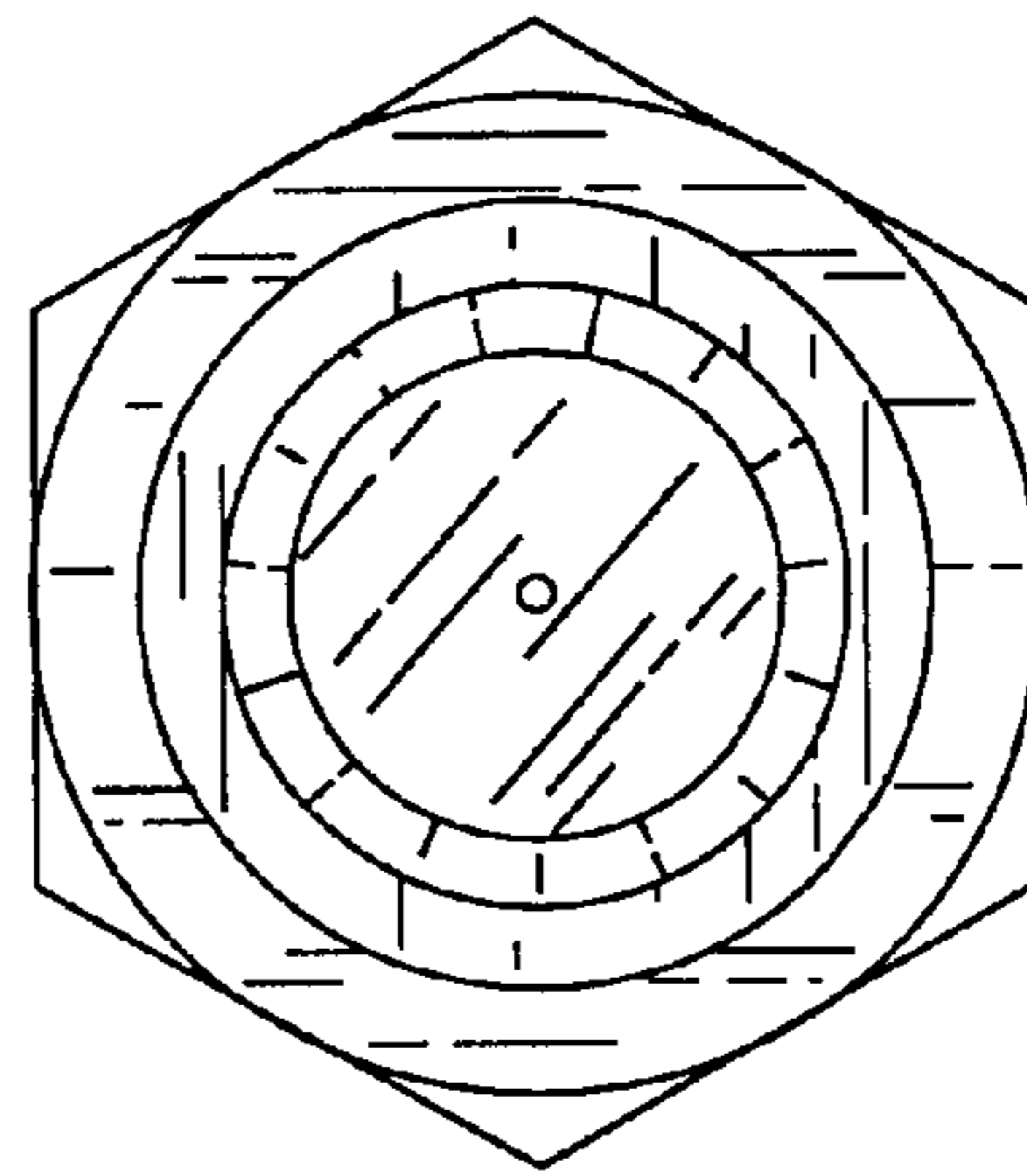


FIG. 9

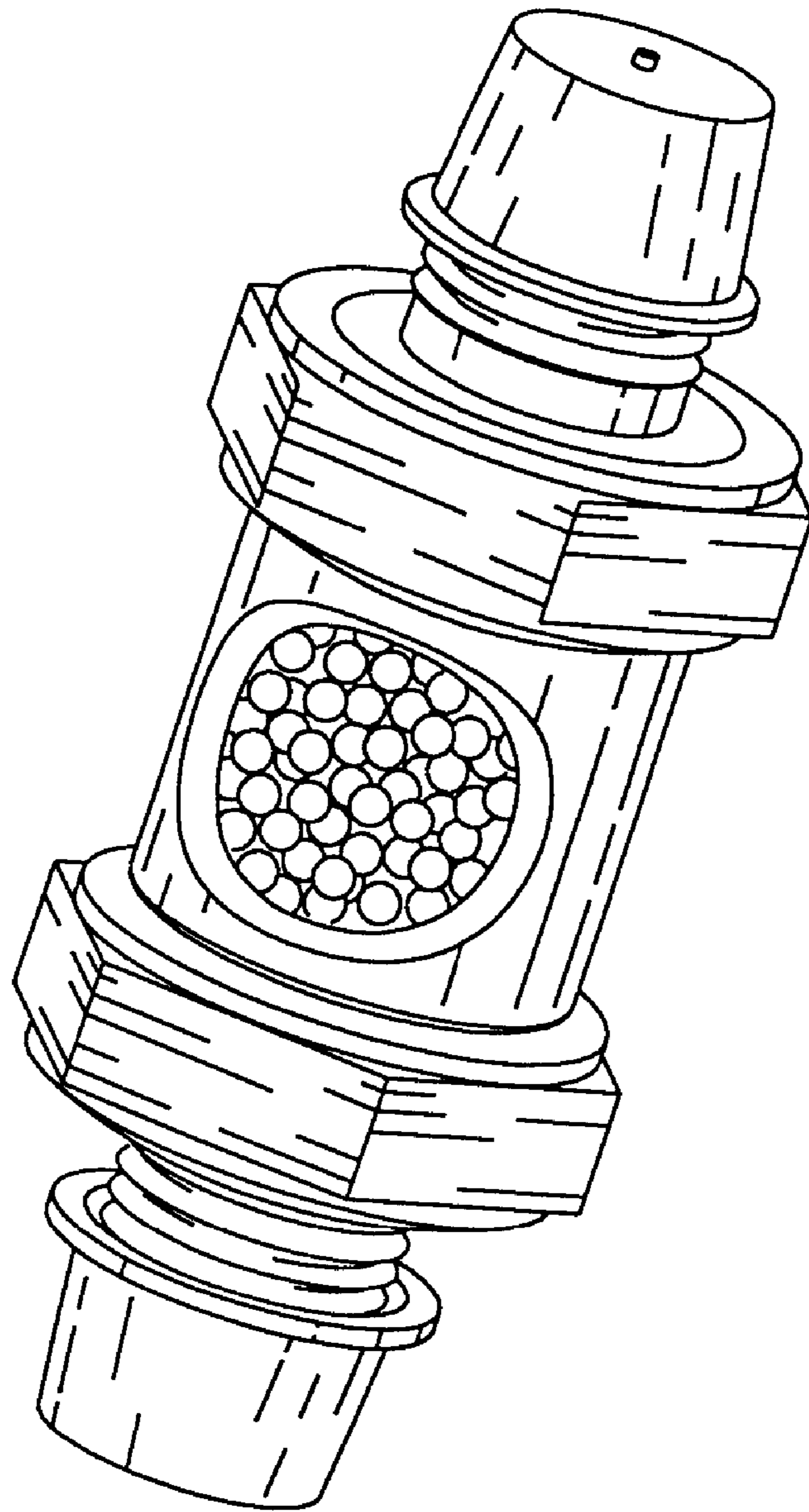


FIG. 10

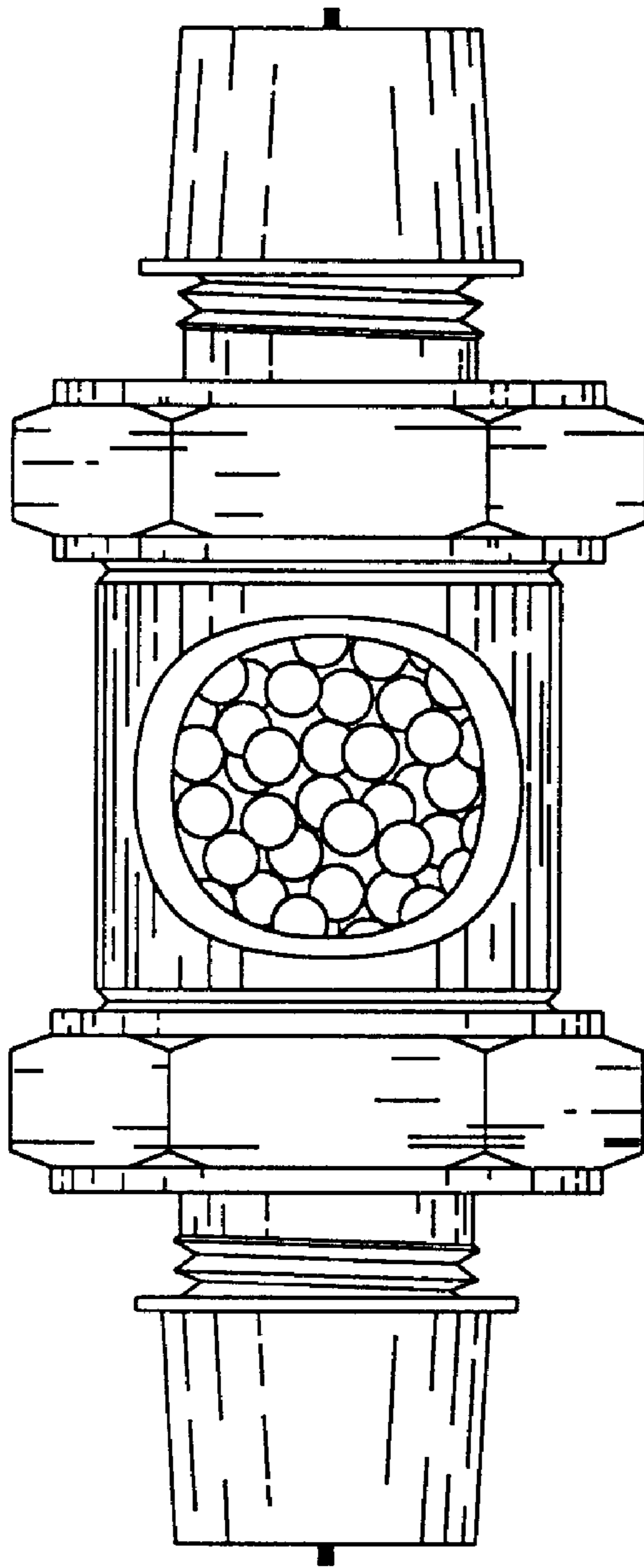


FIG. 11

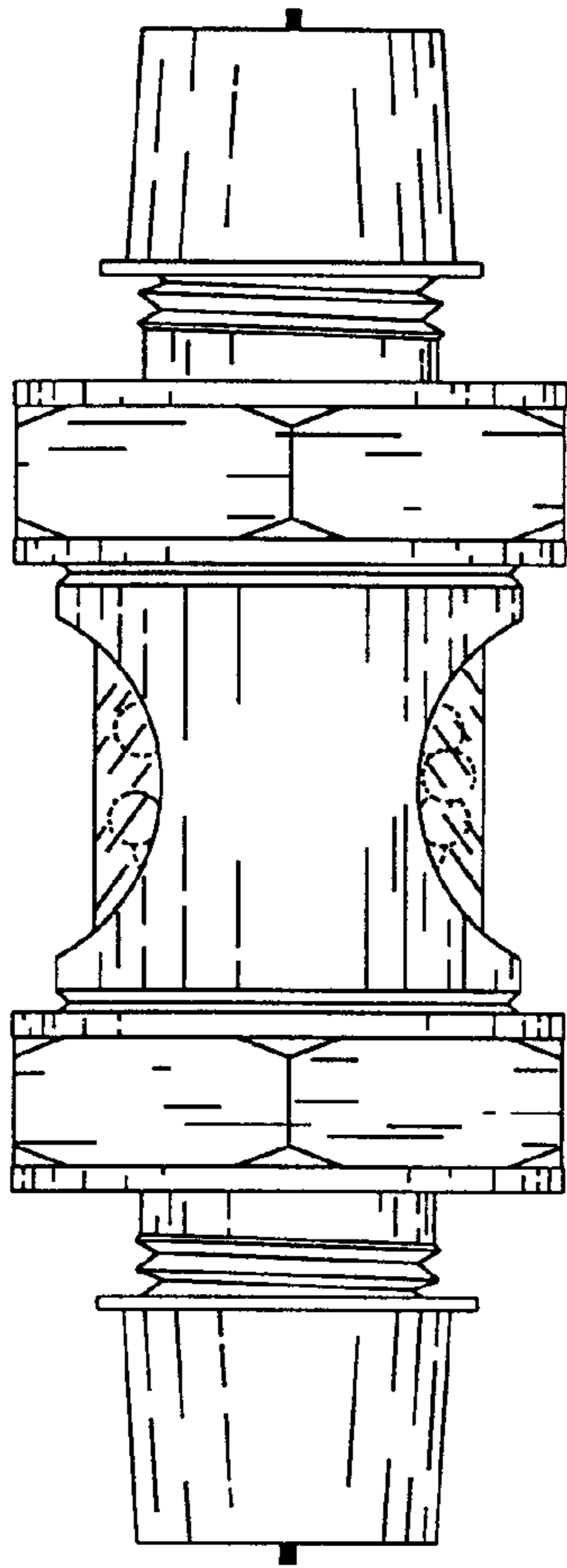


FIG. 12

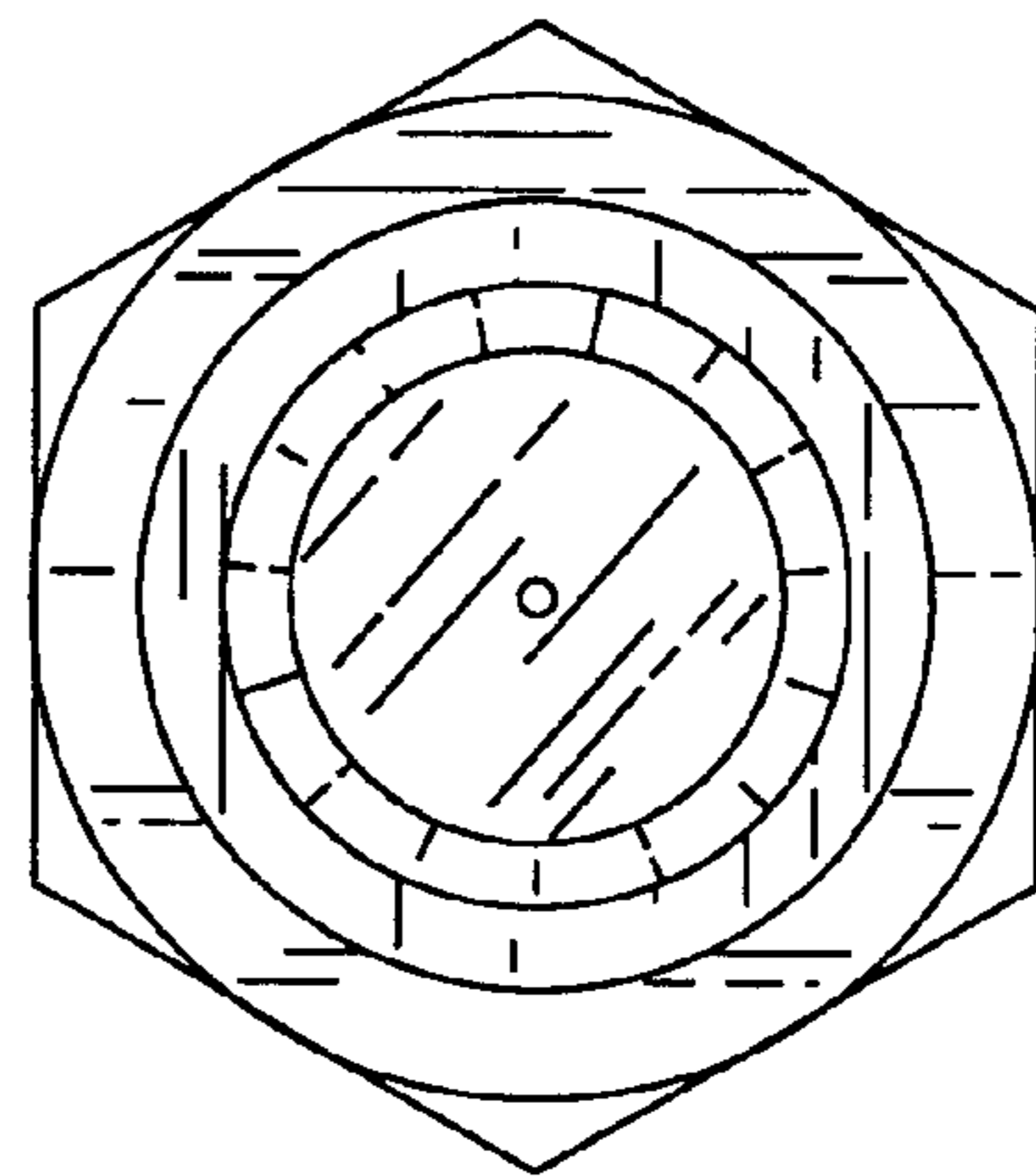


FIG. 13

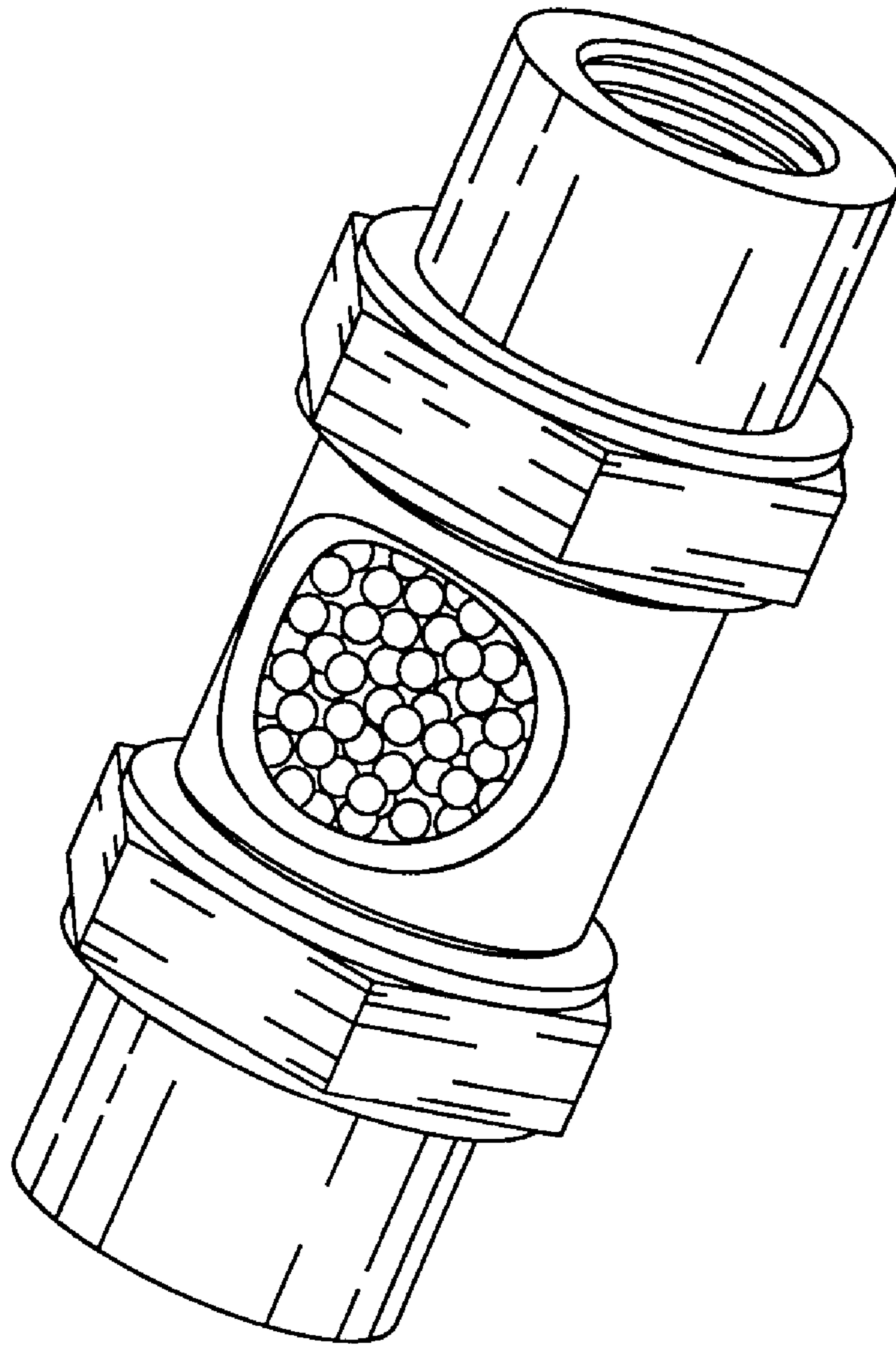


FIG. 14

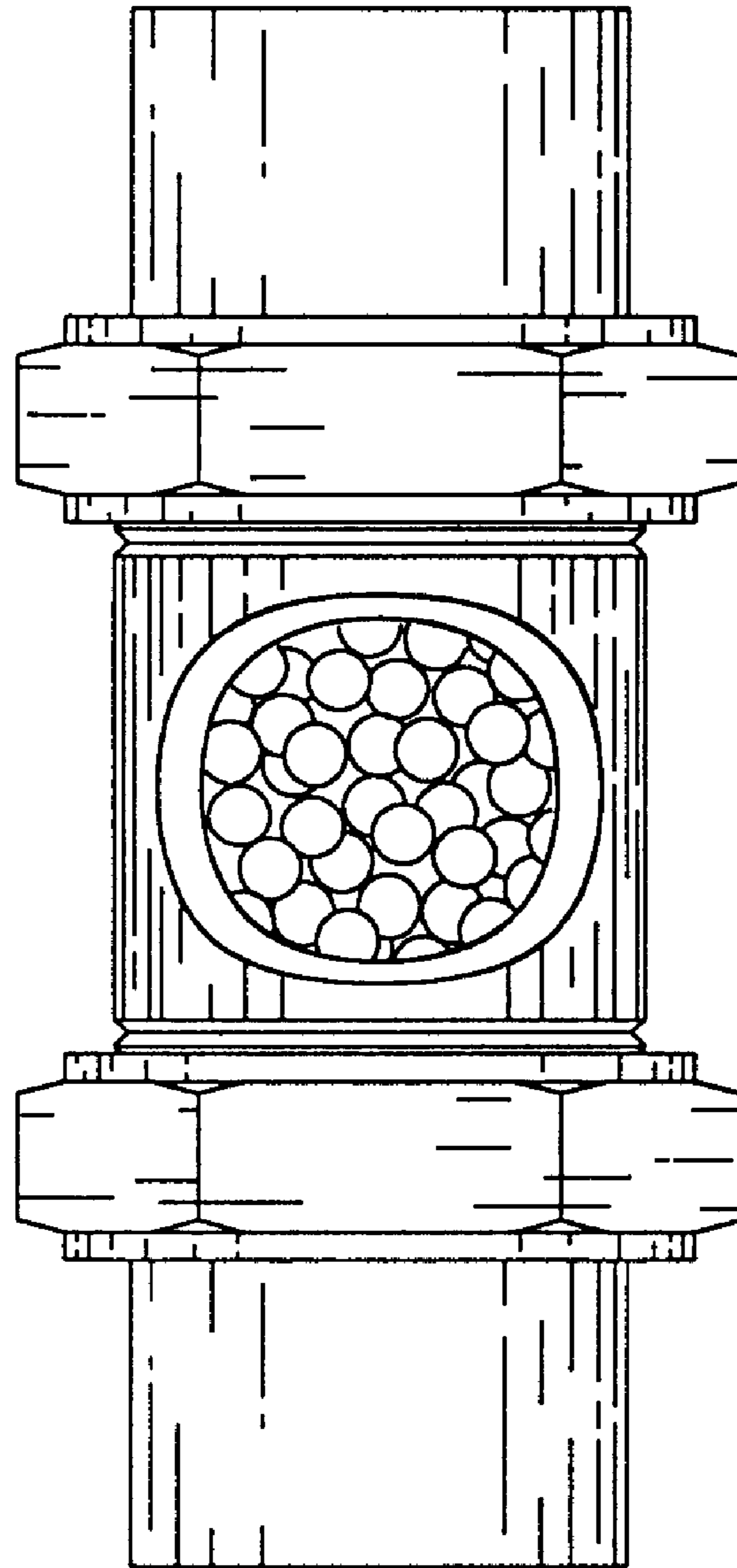


FIG. 15

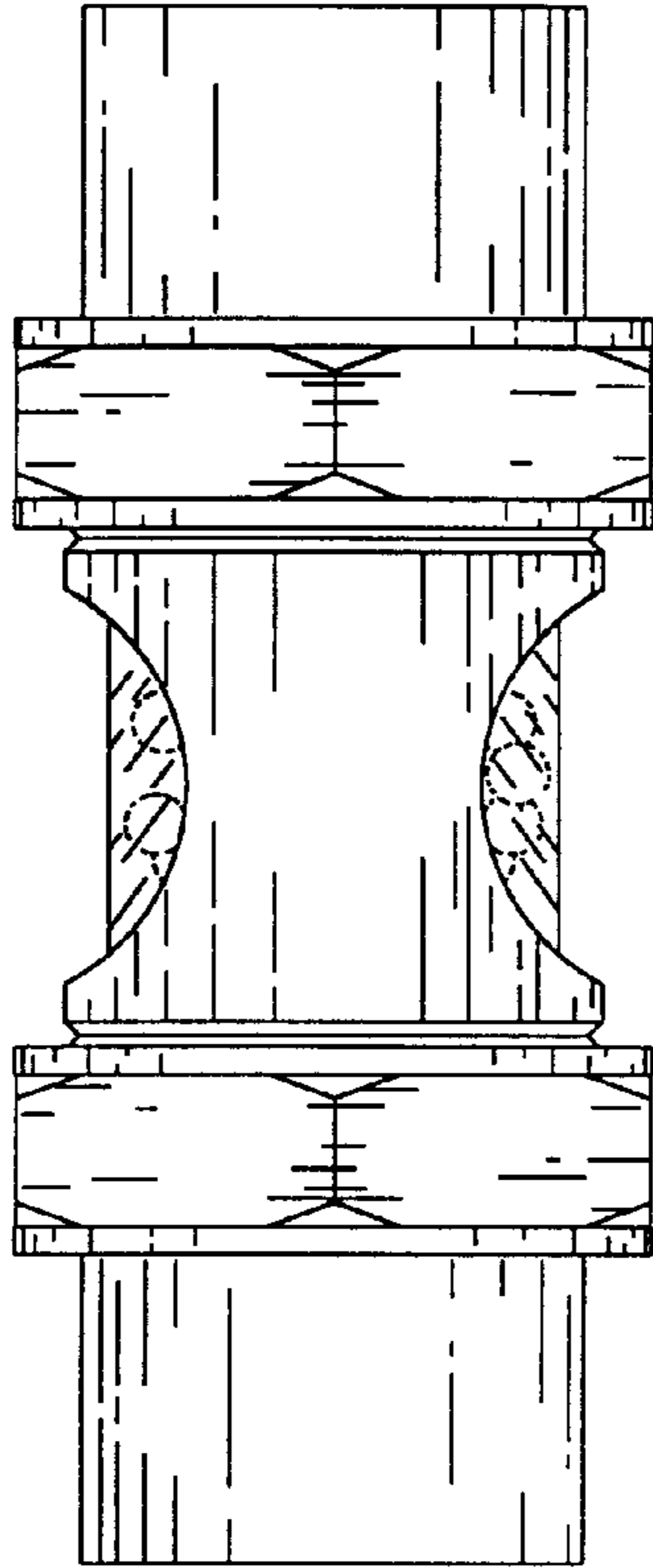


FIG. 16

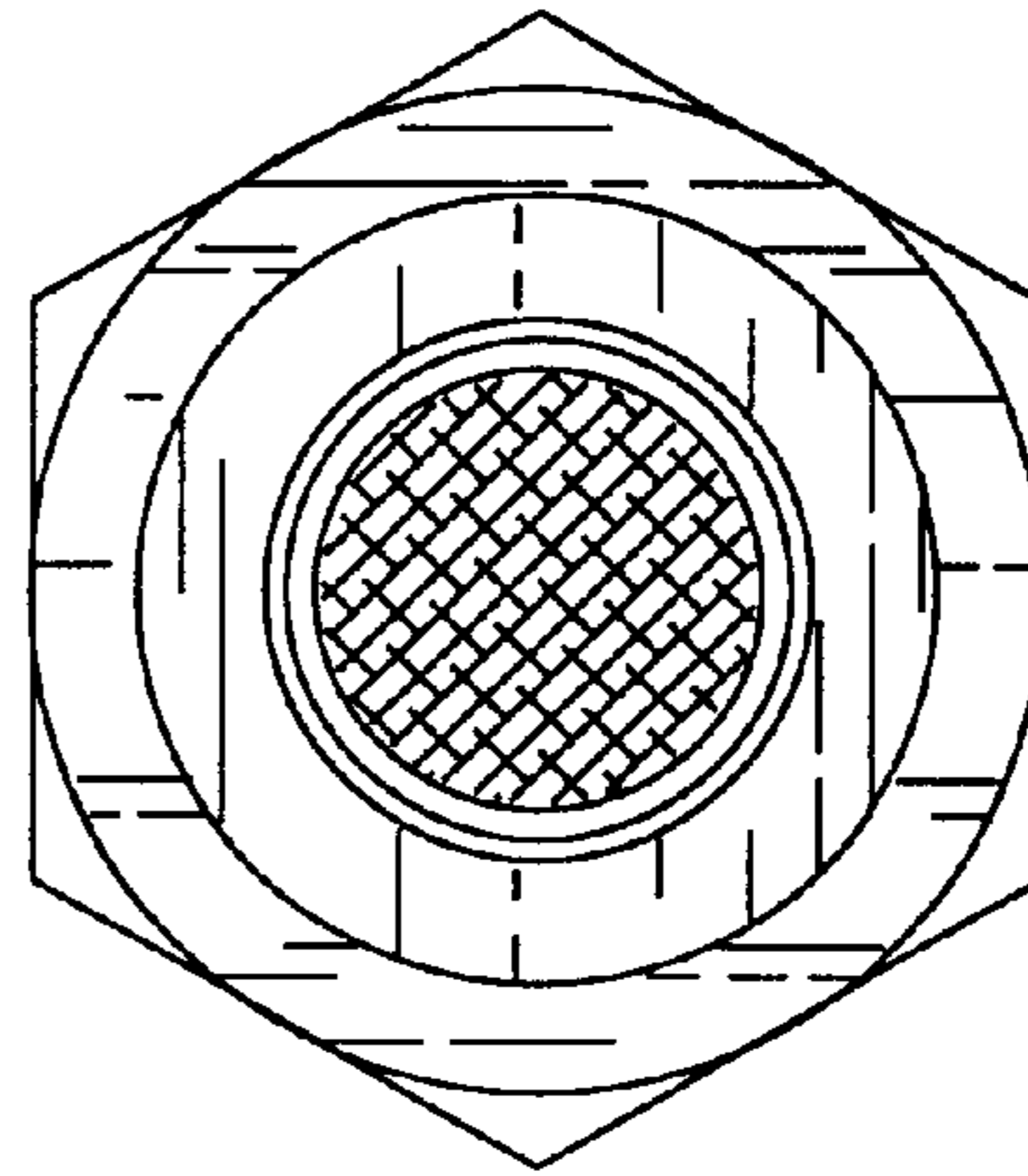


FIG. 17

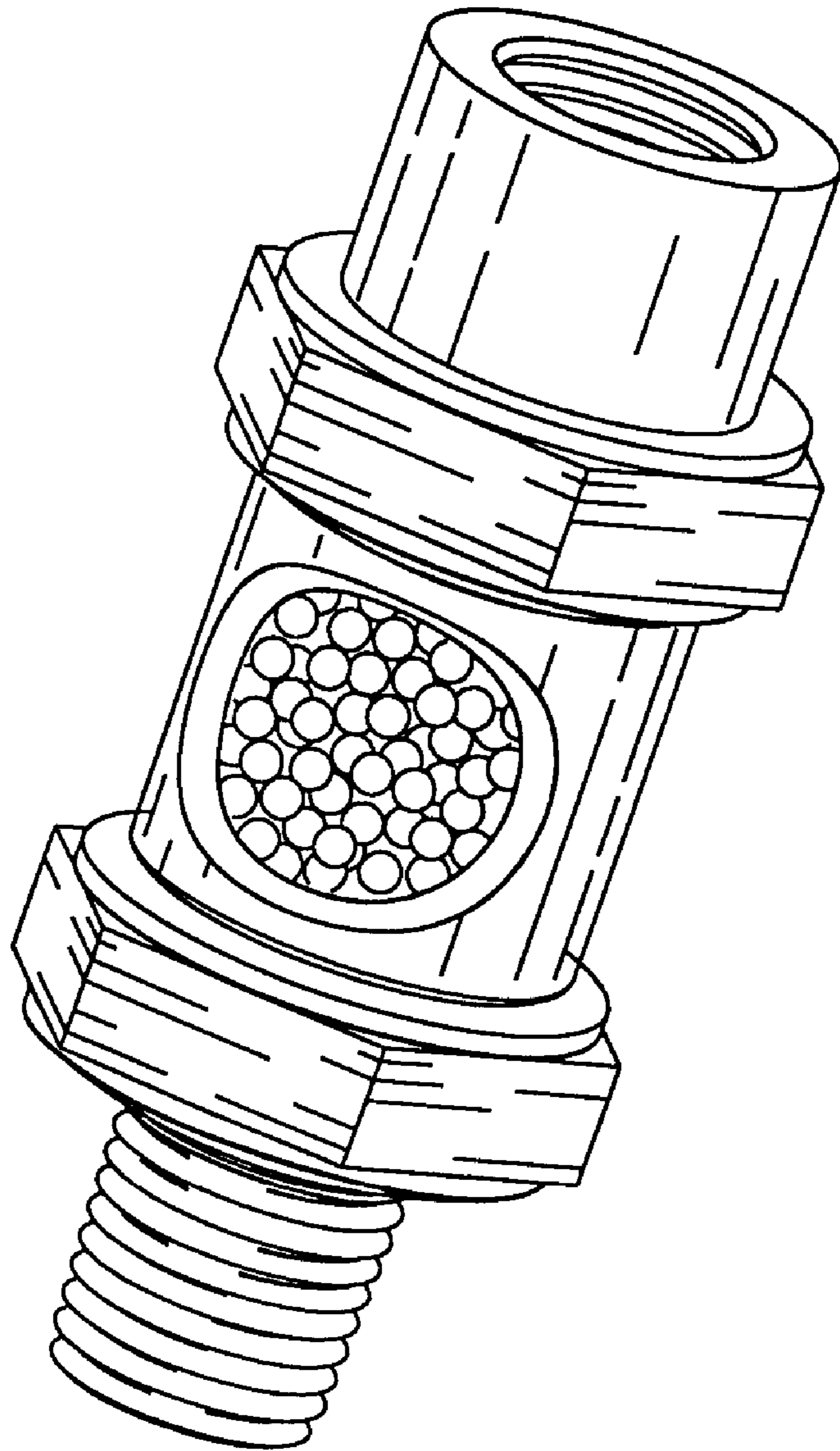


FIG. 18

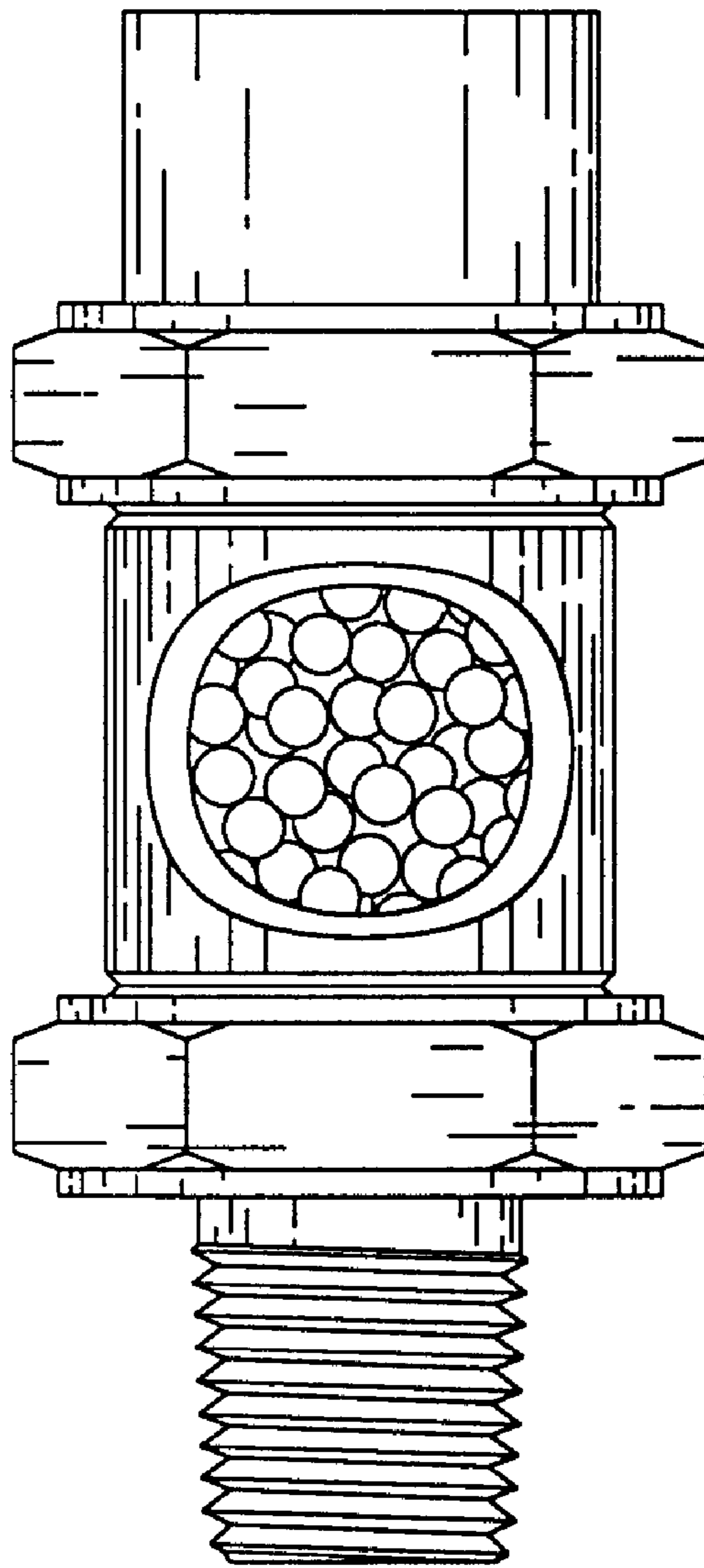


FIG. 19

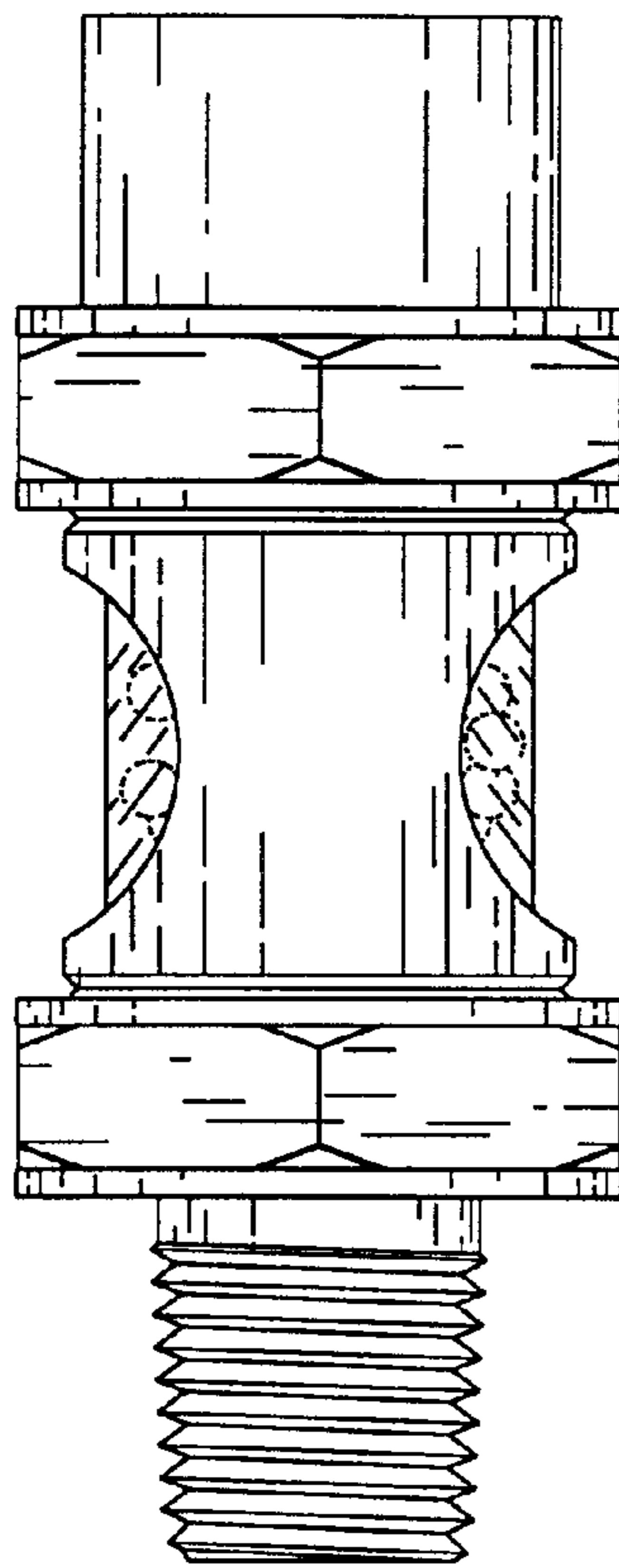


FIG. 20

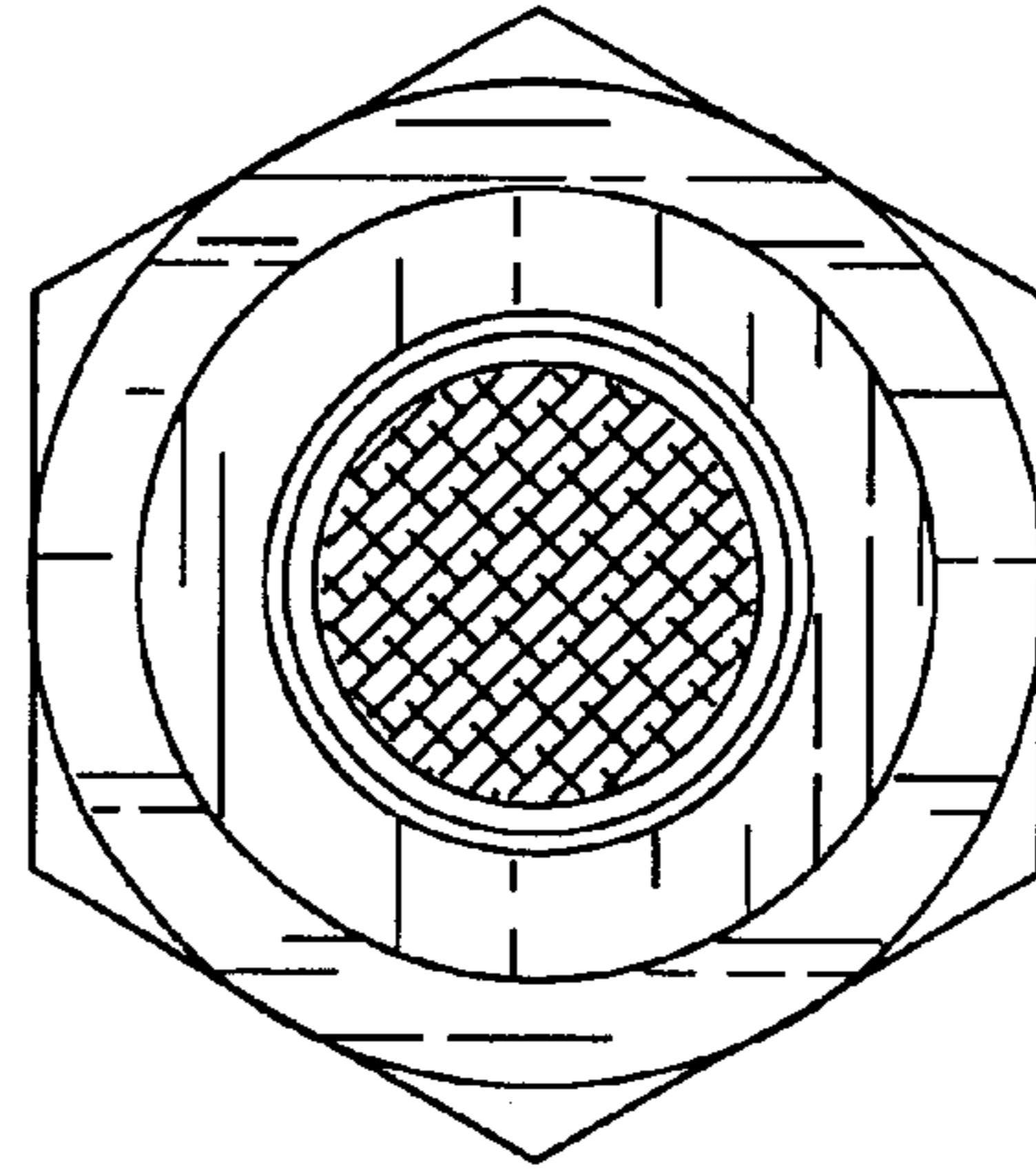


FIG. 21

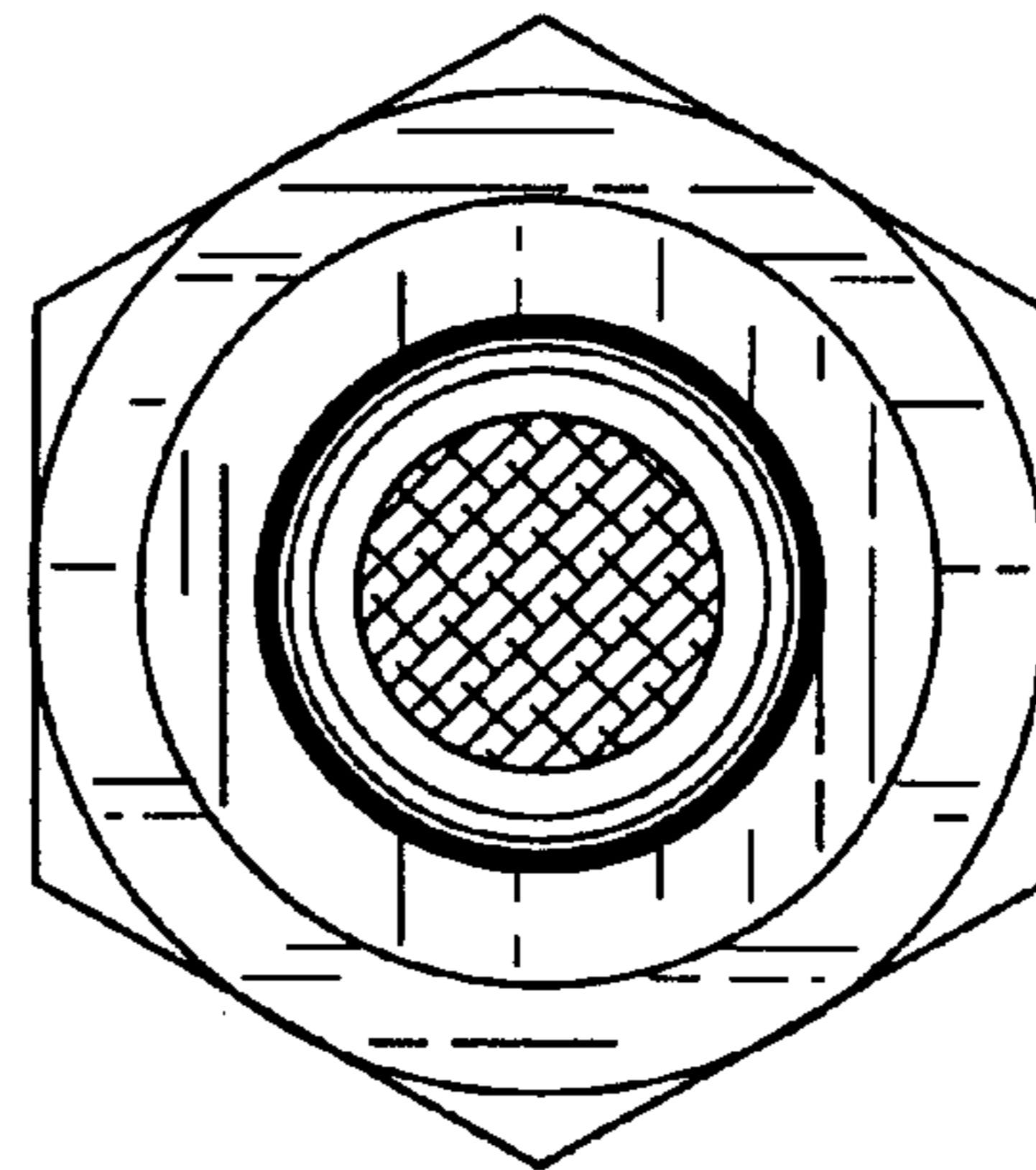


FIG. 22

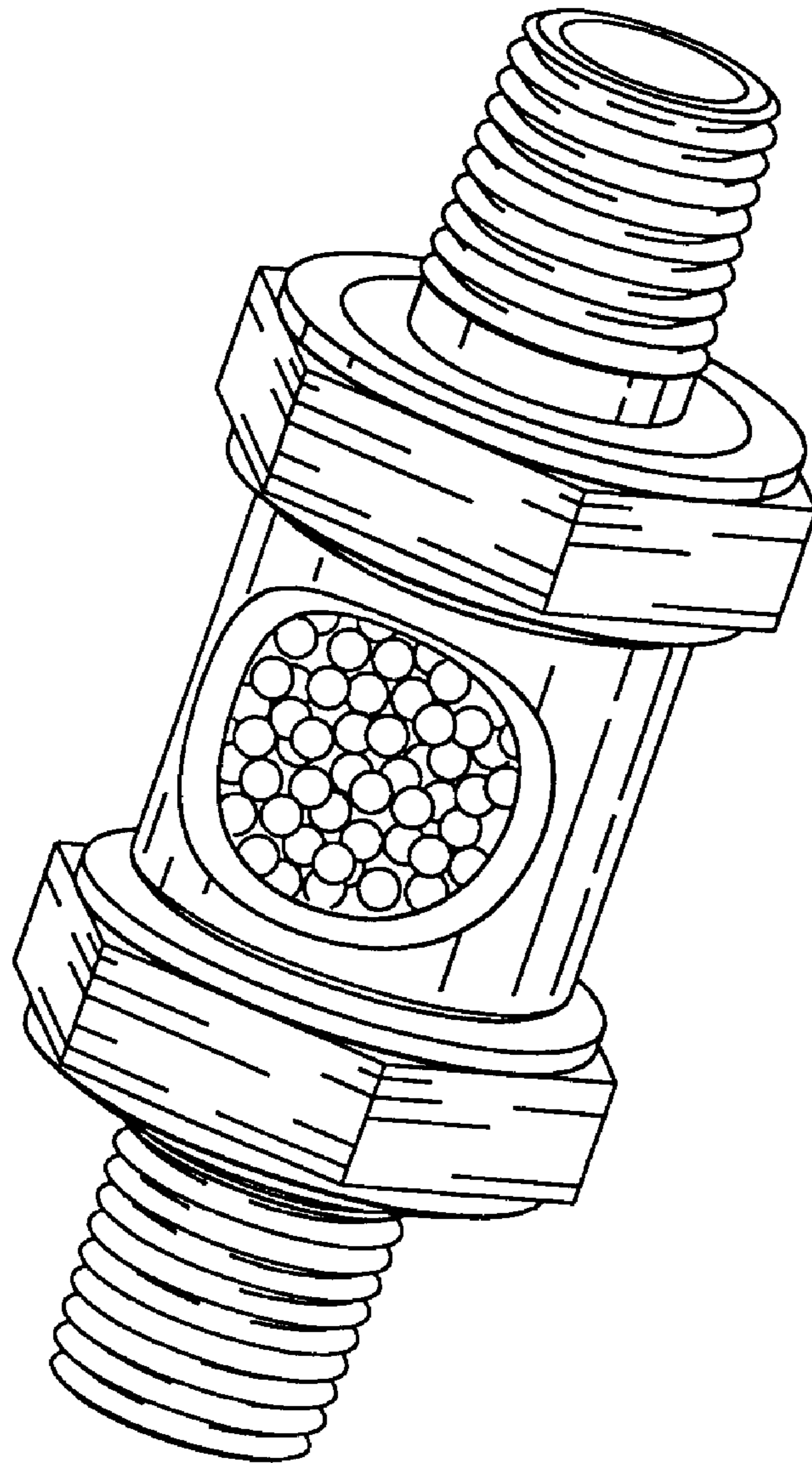


FIG. 23

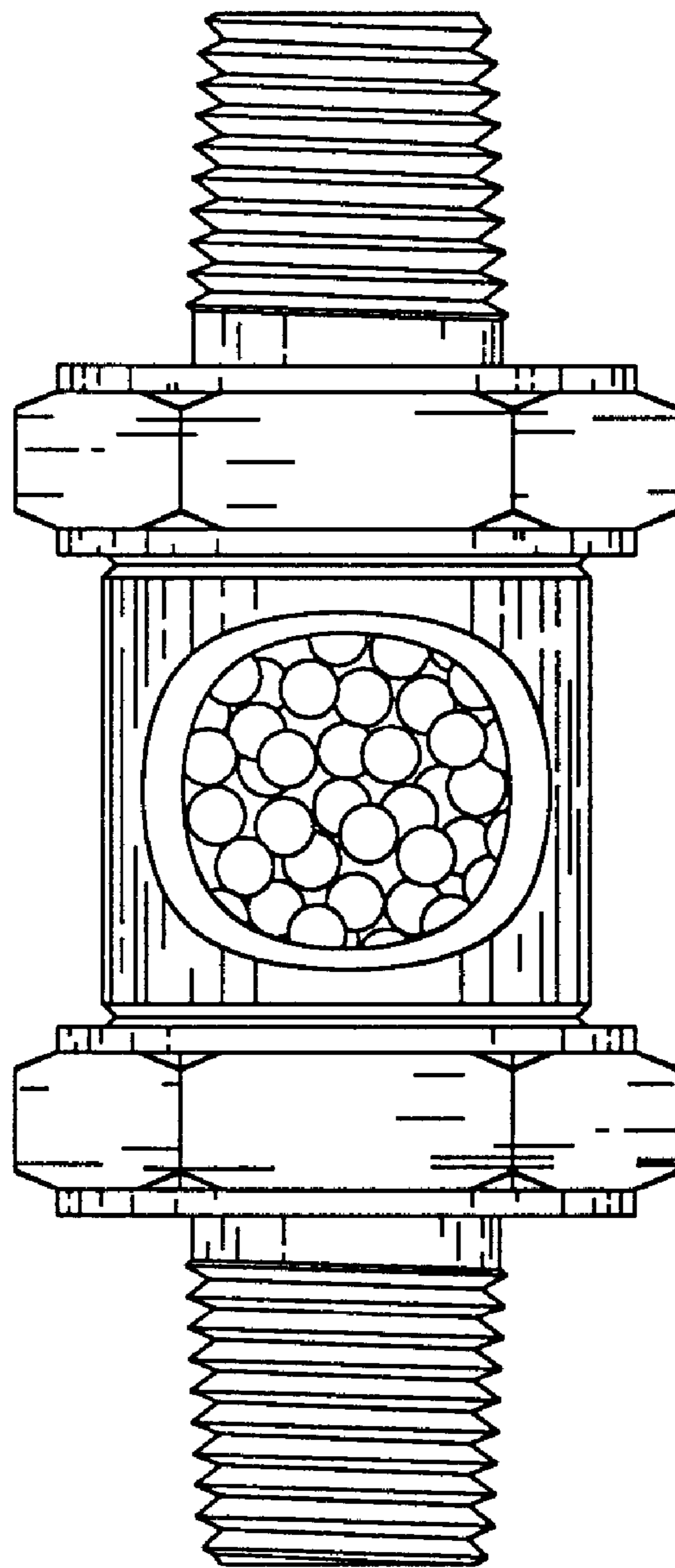


FIG. 24

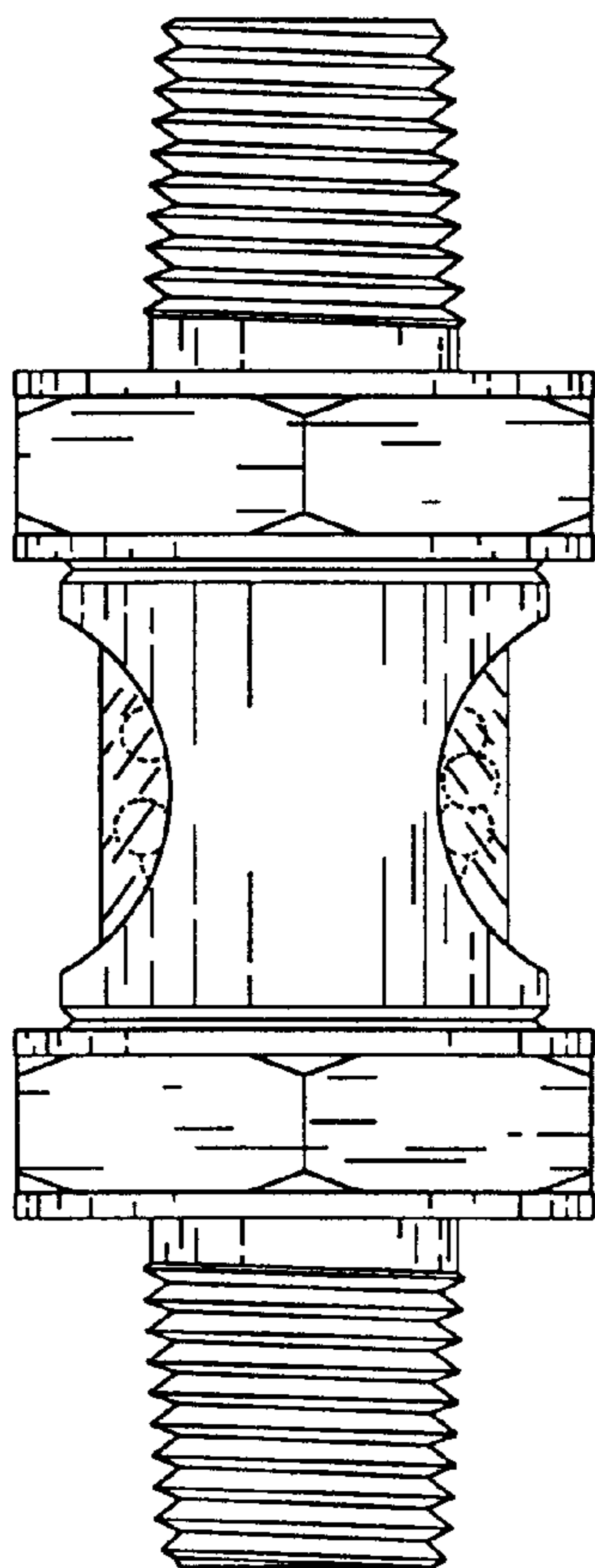


FIG. 25

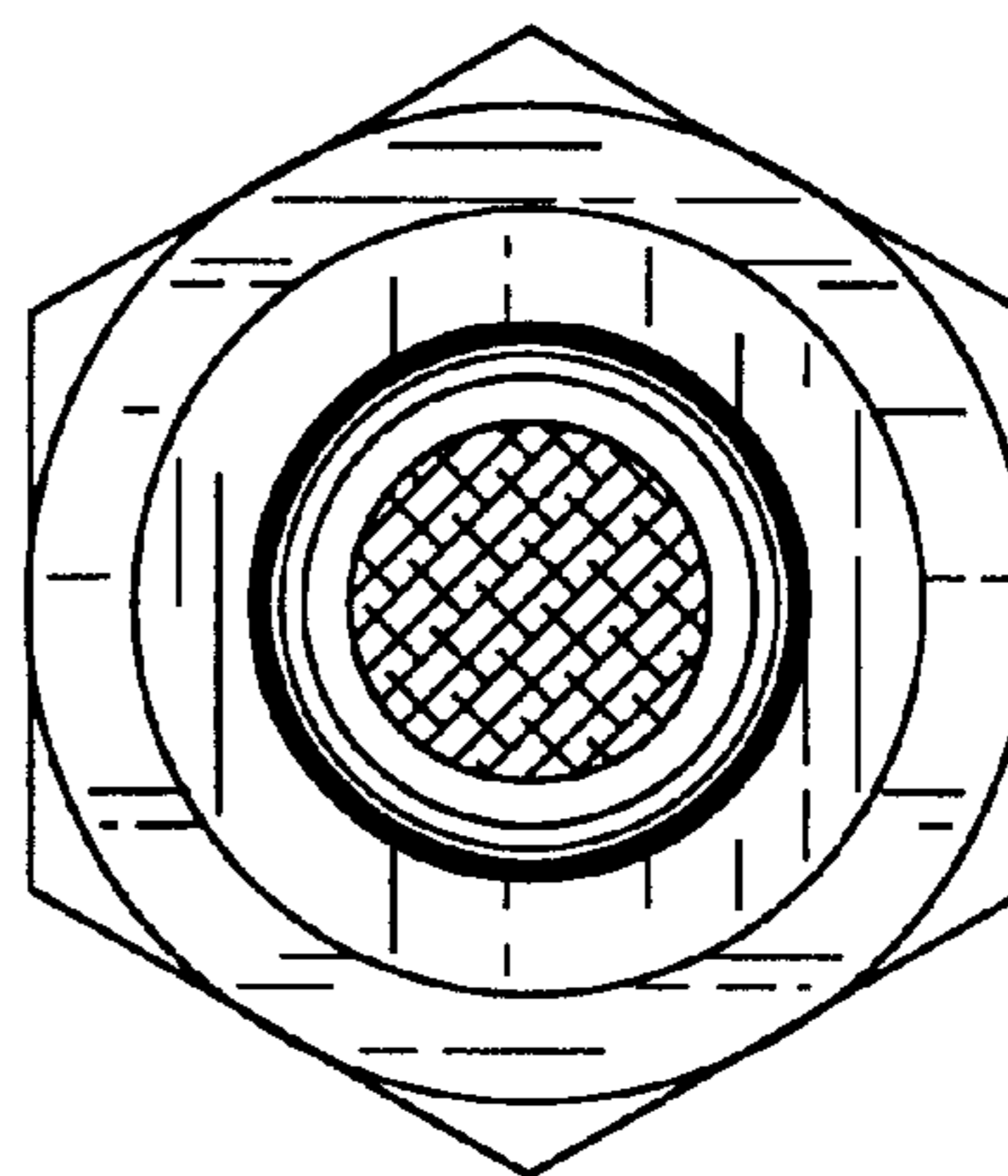


FIG. 26