

US00D520385S

(12) **United States Design Patent**
Abe et al.

(10) **Patent No.:** **US D520,385 S**

(45) **Date of Patent:** **** May 9, 2006**

(54) **ULTRASONIC DETECTOR**
(75) Inventors: **Takashi Abe**, Chiba (JP); **Jyunichi Asakawa**, Fujisawa (JP)

JP 1041285 6/1999
JP 1067617 4/2000
JP 1108233 5/2001
JP 1174202 5/2003

(73) Assignee: **Kabushiki Kaisha Toshiba** (JP)

(**) Term: **14 Years**

(21) Appl. No.: **29/215,781**

(22) Filed: **Oct. 26, 2004**

(30) **Foreign Application Priority Data**

May 14, 2004 (JP) 2004-014287

(51) **LOC (8) Cl.** **10-04**

(52) **U.S. Cl.** **D10/46**

(58) **Field of Classification Search** D10/46,
D10/75-76; 73/431, 620; 702/65-68
See application file for complete search history.

(56) **References Cited**

U.S. PATENT DOCUMENTS

6,112,593 A * 9/2000 Aoki et al. 73/431
6,397,681 B1 * 6/2002 Mizunoya et al. 73/620
D501,414 S * 2/2005 Graef et al. D10/76

FOREIGN PATENT DOCUMENTS

JP 1041284 6/1999

OTHER PUBLICATIONS

MITSUBISHI Advertisement, Socio-Tech, UI-23, dated Nov. 2000.

* cited by examiner

Primary Examiner—Antoine D. Davis

(74) *Attorney, Agent, or Firm*—Banner & Witcoff, Ltd.

(57) **CLAIM**

The ornamental design for an ultrasonic detector, as shown and described.

DESCRIPTION

FIG. 1 is a top, front and right side perspective view of an ultrasonic detector showing my new design, FIG. 2 is a front elevational view thereof, FIG. 3 is a rear elevational view thereof, FIG. 4 is a left side elevational view thereof, FIG. 5 is a right side elevational view thereof, FIG. 6 is a top plan view thereof; and, FIG. 7 is a bottom plan view thereof.

1 Claim, 4 Drawing Sheets

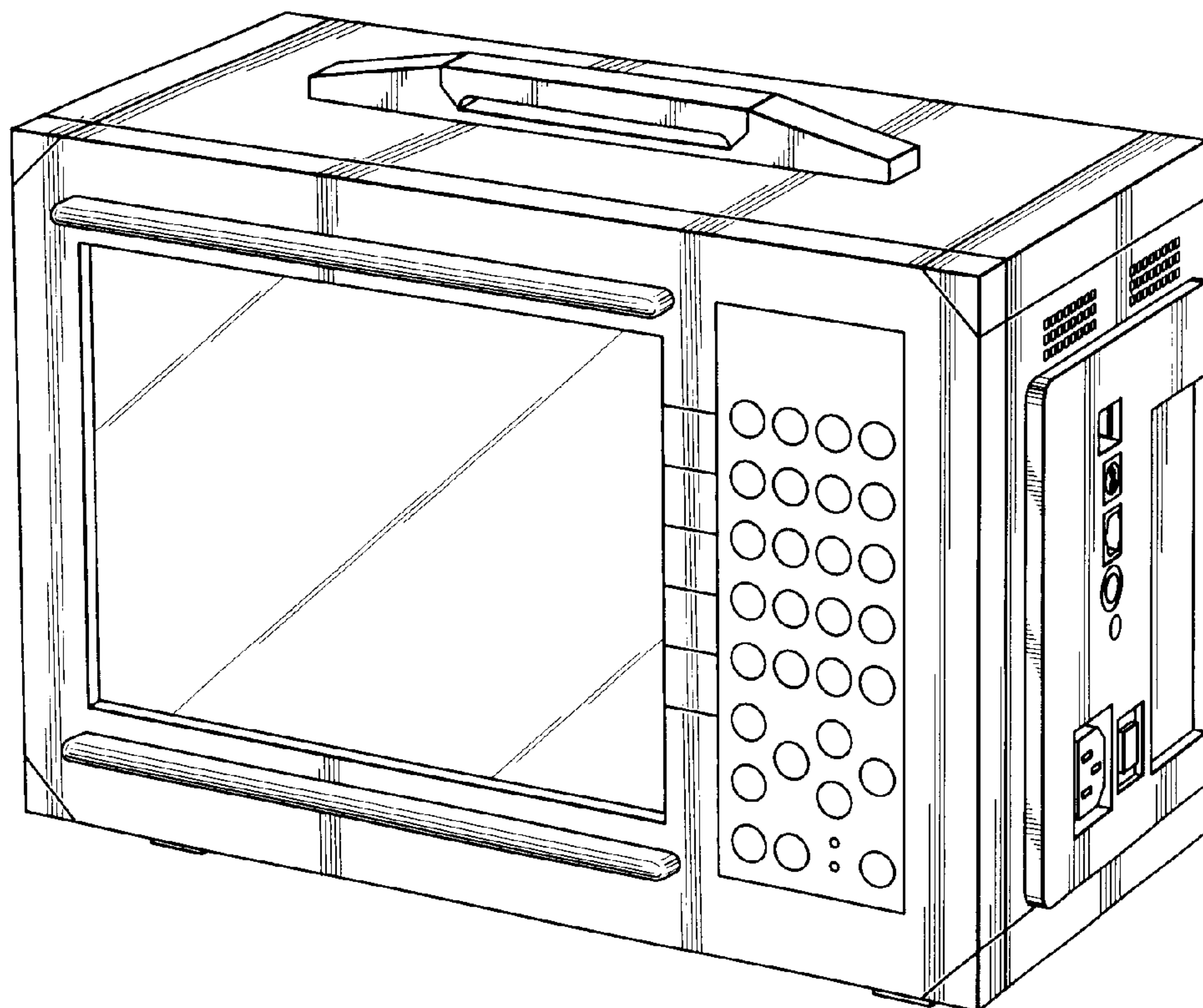


FIG. 1

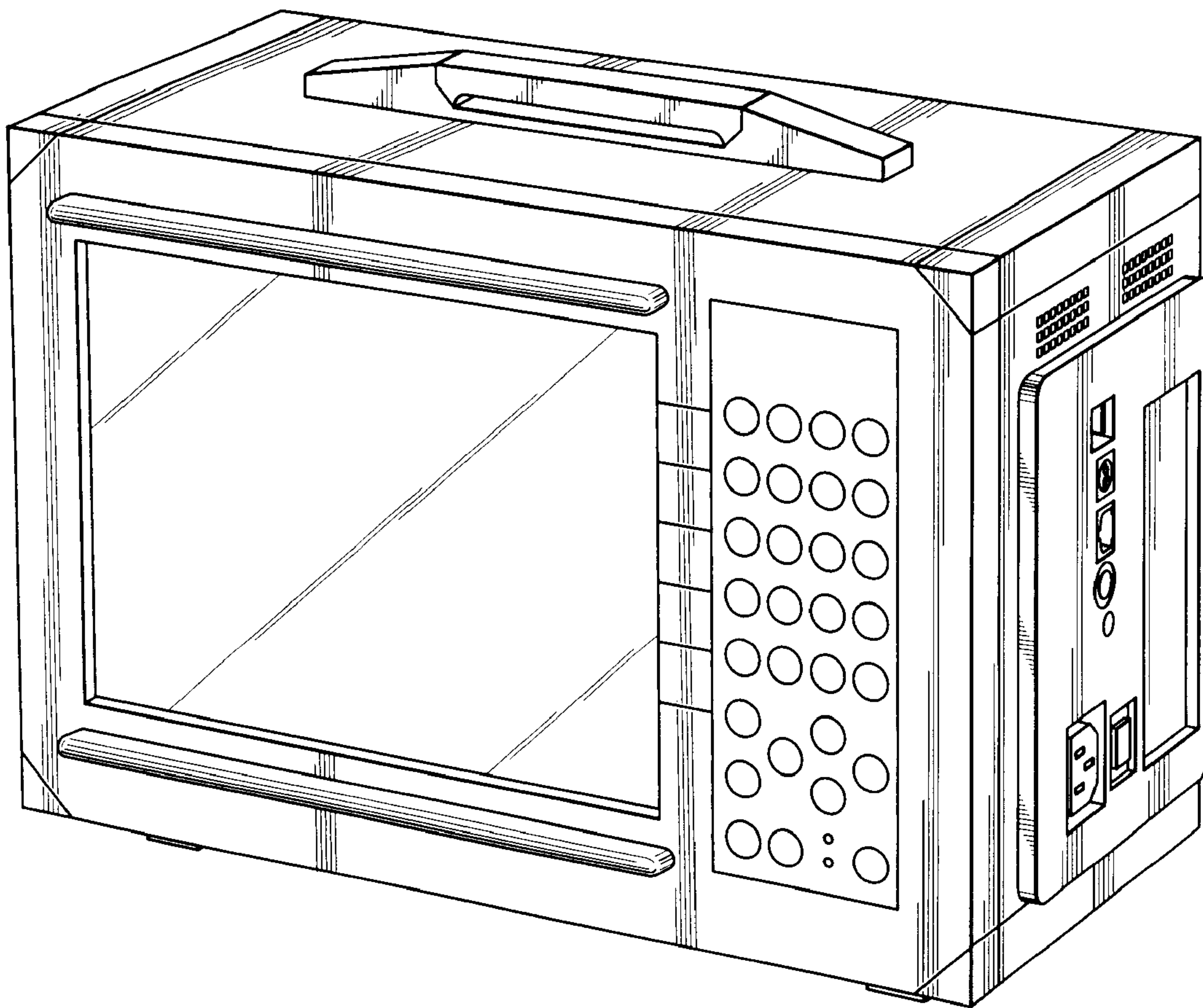


FIG. 2

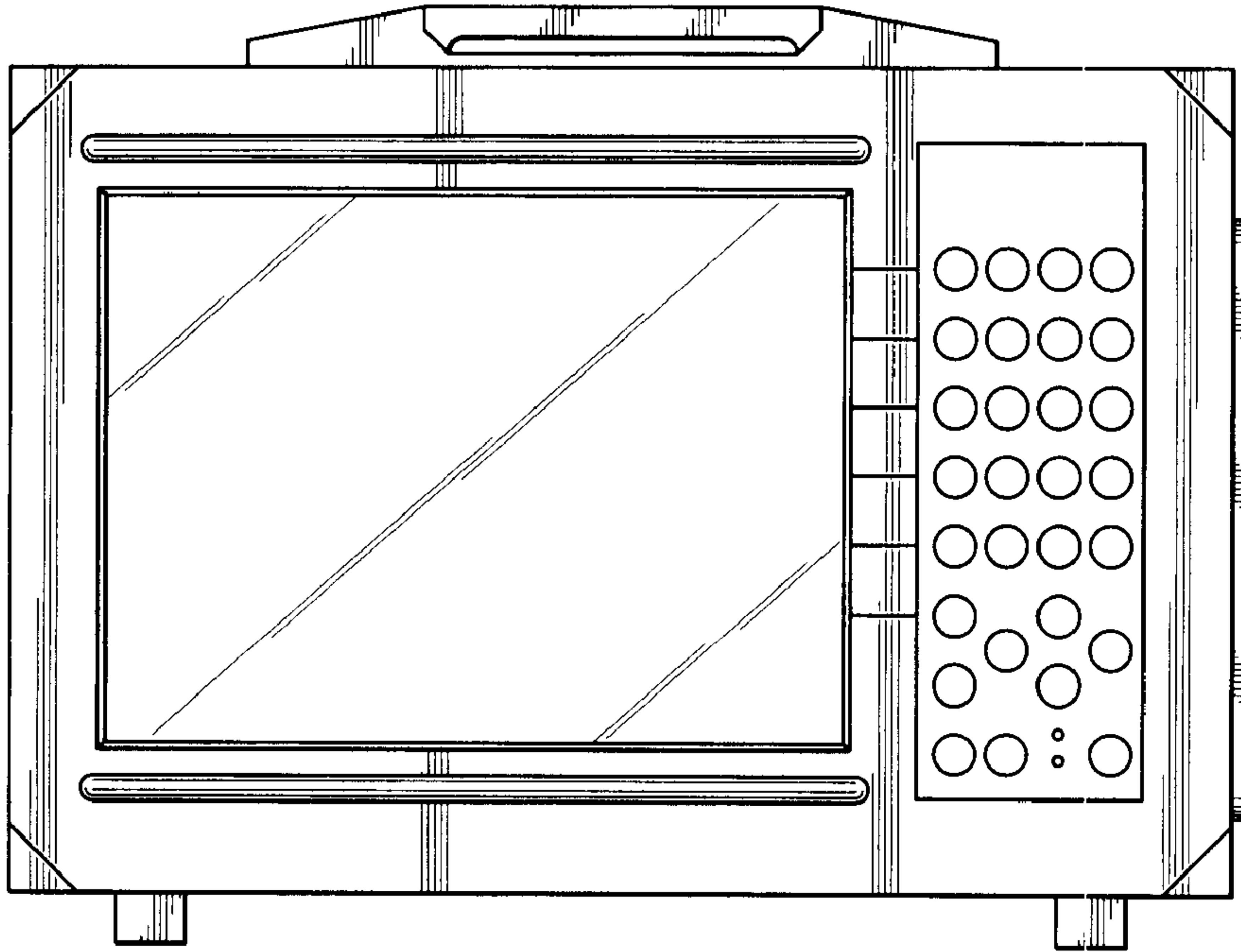


FIG. 3

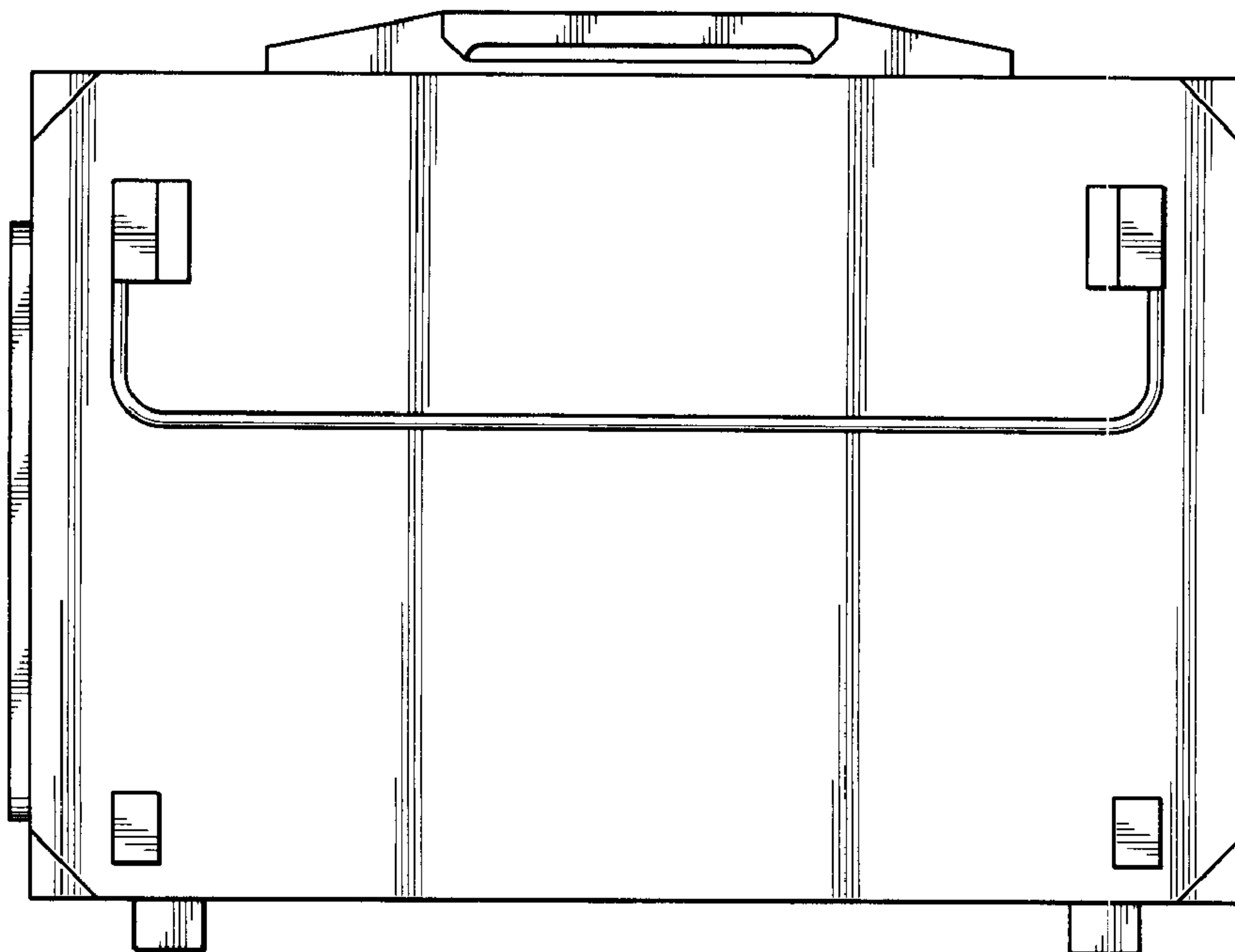


FIG. 4

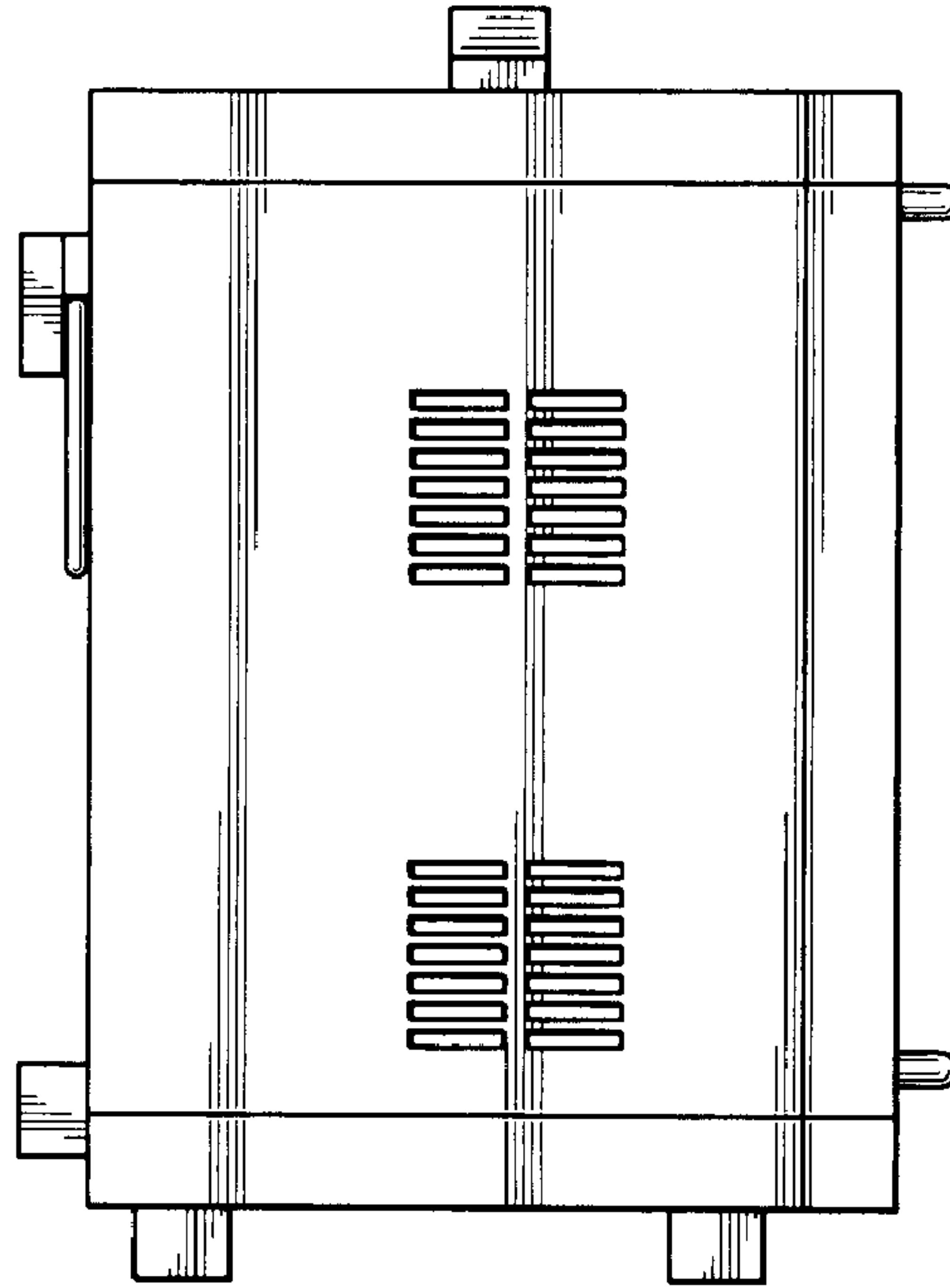


FIG. 5

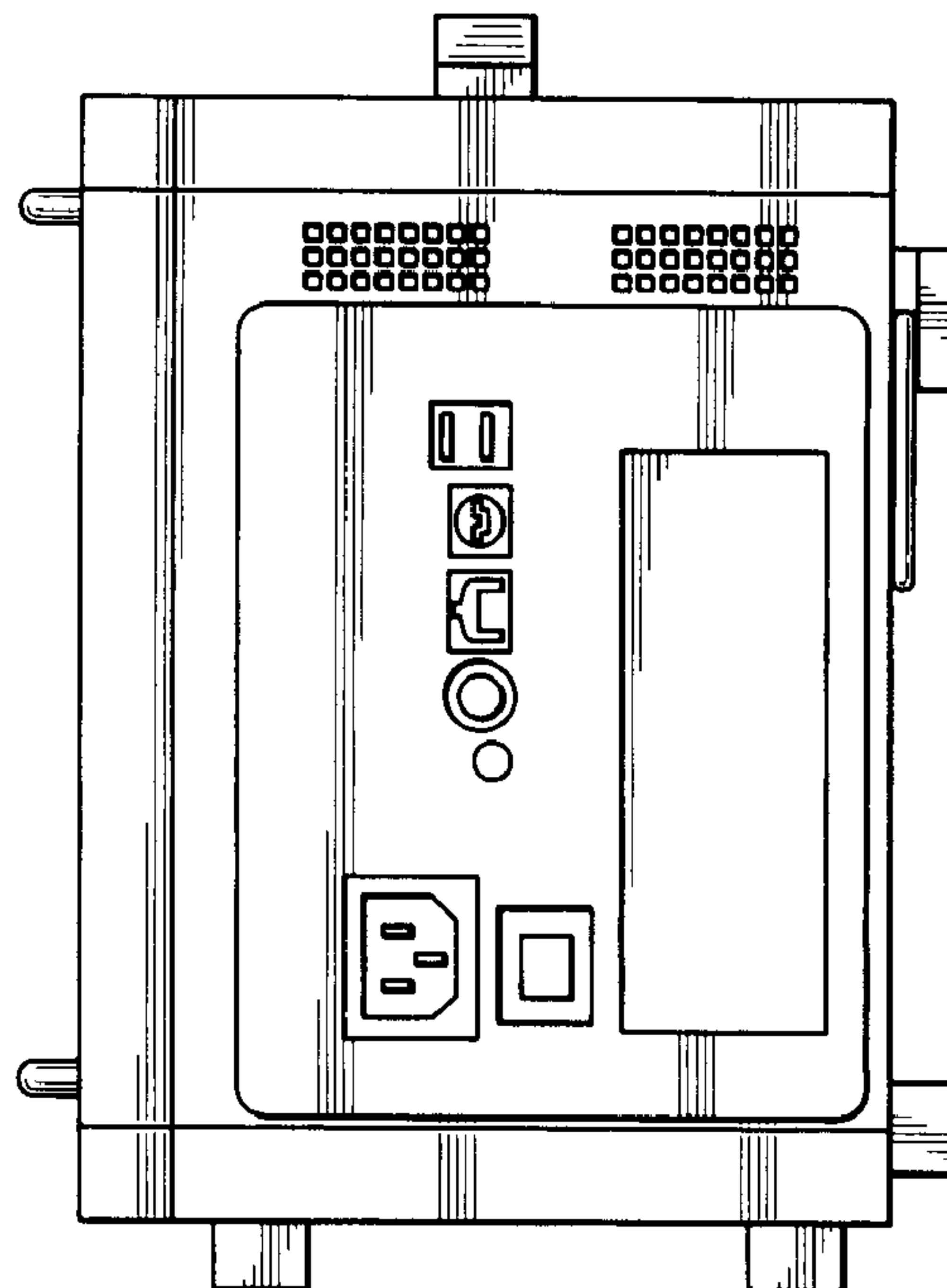


FIG. 6

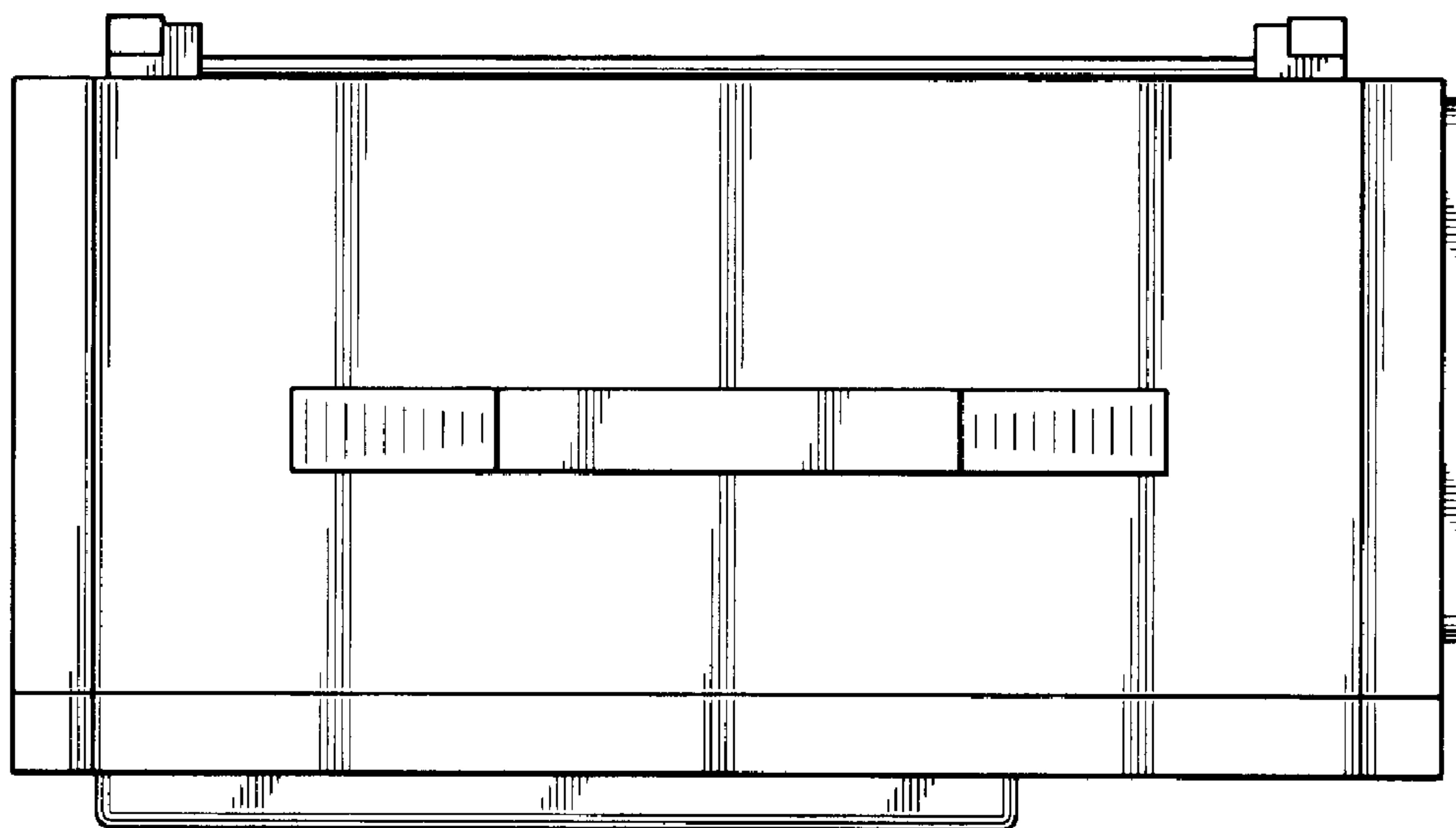


FIG. 7

