



US00D520381S

(12) **United States Design Patent**
Vigeron

(10) **Patent No.:** **US D520,381 S**

(45) **Date of Patent:** **** May 9, 2006**

(54) **WRIST WATCH**

(75) Inventor: **Laurent Vigeron**, Paris (FR)

(73) Assignee: **Lancel Sogedi**, Paris (FR)

(**) Term: **14 Years**

(21) Appl. No.: **29/217,303**

(22) Filed: **Nov. 17, 2004**

(30) **Foreign Application Priority Data**

May 17, 2004 (EM) 000178348-0001

(51) **LOC (8) Cl.** **10-02**

(52) **U.S. Cl.** **D10/32; D10/39**

(58) **Field of Classification Search** D10/30-39,
D10/122-132; D11/3; 368/281-283, 285-287,
368/28-30, 239-242, 276-278, 82-84, 223,
368/232, 228, 80, 294-296; 224/164-168,
224/175; 63/3

See application file for complete search history.

(56) **References Cited**

U.S. PATENT DOCUMENTS

- 1,333,421 A * 3/1920 Jolly 24/186
- 2,532,161 A * 11/1950 Gomberg 224/179
- D240,368 S * 6/1976 Button D11/3
- D254,961 S * 5/1980 Hofman D11/3
- D255,022 S * 5/1980 Hofman D11/3

- D284,642 S * 7/1986 Kabaya D10/38
- D301,840 S * 6/1989 Houlihan D10/30
- D382,214 S * 8/1997 Liao D10/32
- 5,812,500 A * 9/1998 Webb, Jr. 368/282
- D419,078 S * 1/2000 Bonnett D10/30
- 6,234,668 B1 * 5/2001 Cooper 368/281
- D453,904 S * 2/2002 Terashima D10/30
- D488,074 S * 4/2004 Rousseau D10/30

* cited by examiner

Primary Examiner—Lucy Lieberman

(74) *Attorney, Agent, or Firm*—Young & Thompson

(57) **CLAIM**

The ornamental design for a wrist watch, as shown and described.

DESCRIPTION

FIG. 1 is a top perspective view of a wrist watch showing my new design;

FIG. 2 is a top plan view thereof;

FIG. 3 is a side elevational view thereof from the left of FIG. 2;

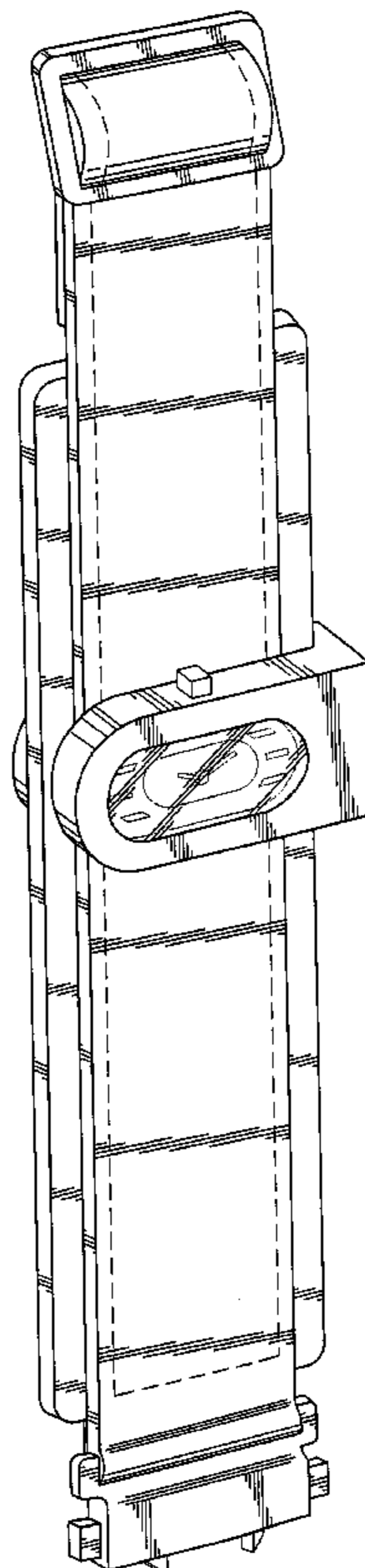
FIG. 4 is a side elevational view thereof from the right of FIG. 2;

FIG. 5 is a rear elevational view thereof; and,

FIG. 6 is an enlarged top plan view of the watch case shown alone for ease of illustration.

The broken lines in the drawings represent stitching.

1 Claim, 5 Drawing Sheets



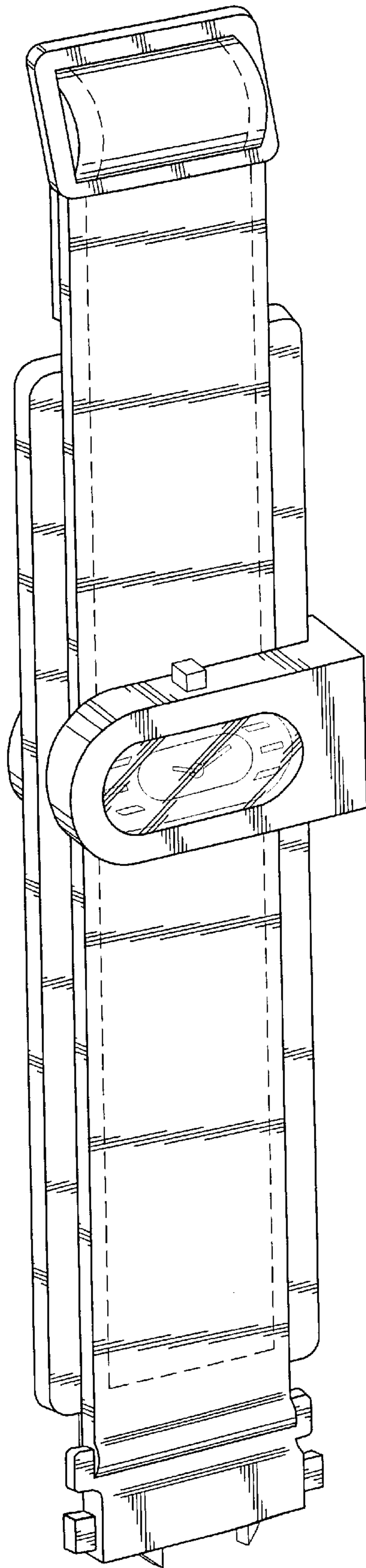


FIG. 1

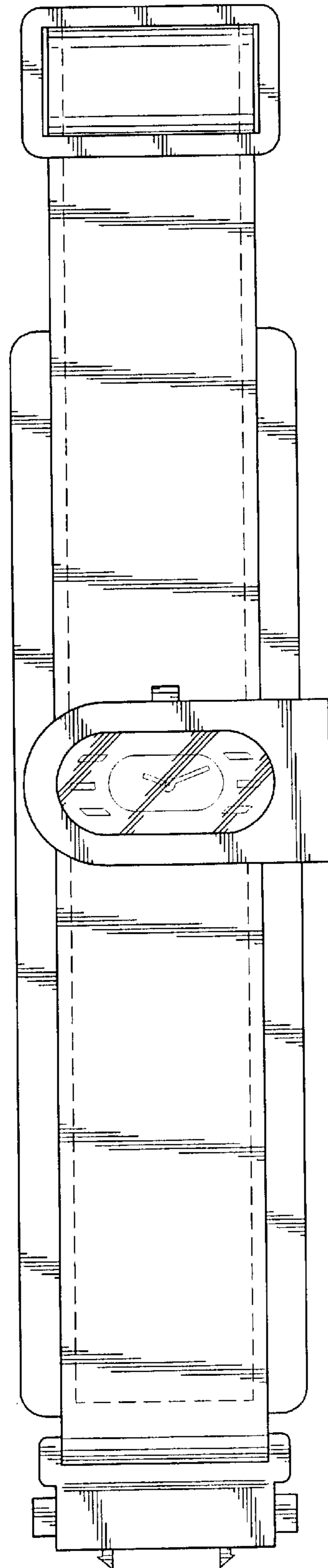


FIG. 2

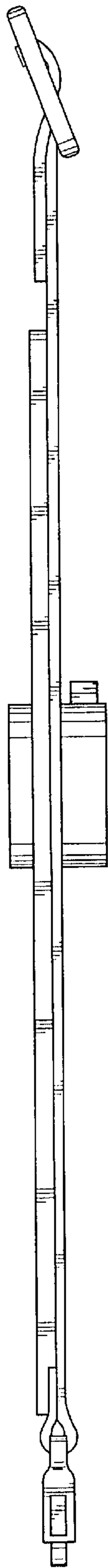


FIG. 3



FIG. 4

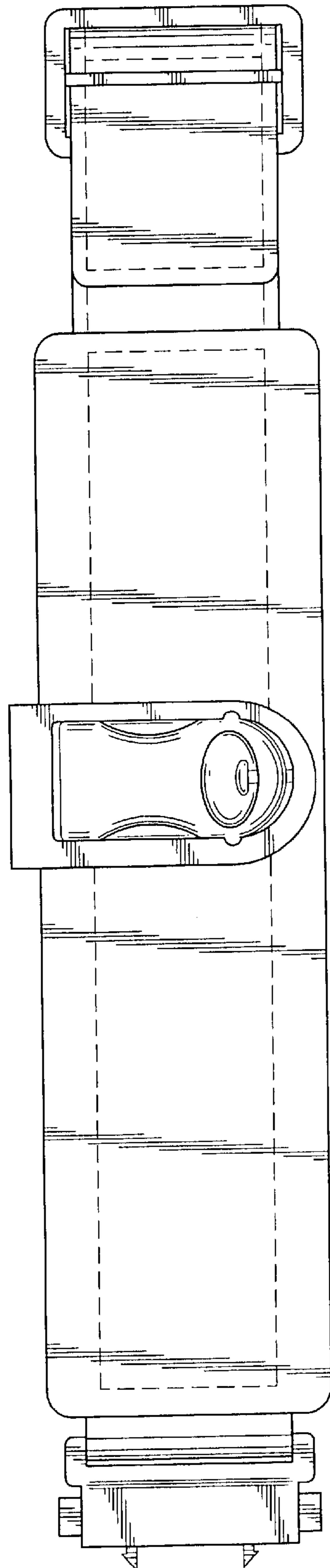


FIG. 5

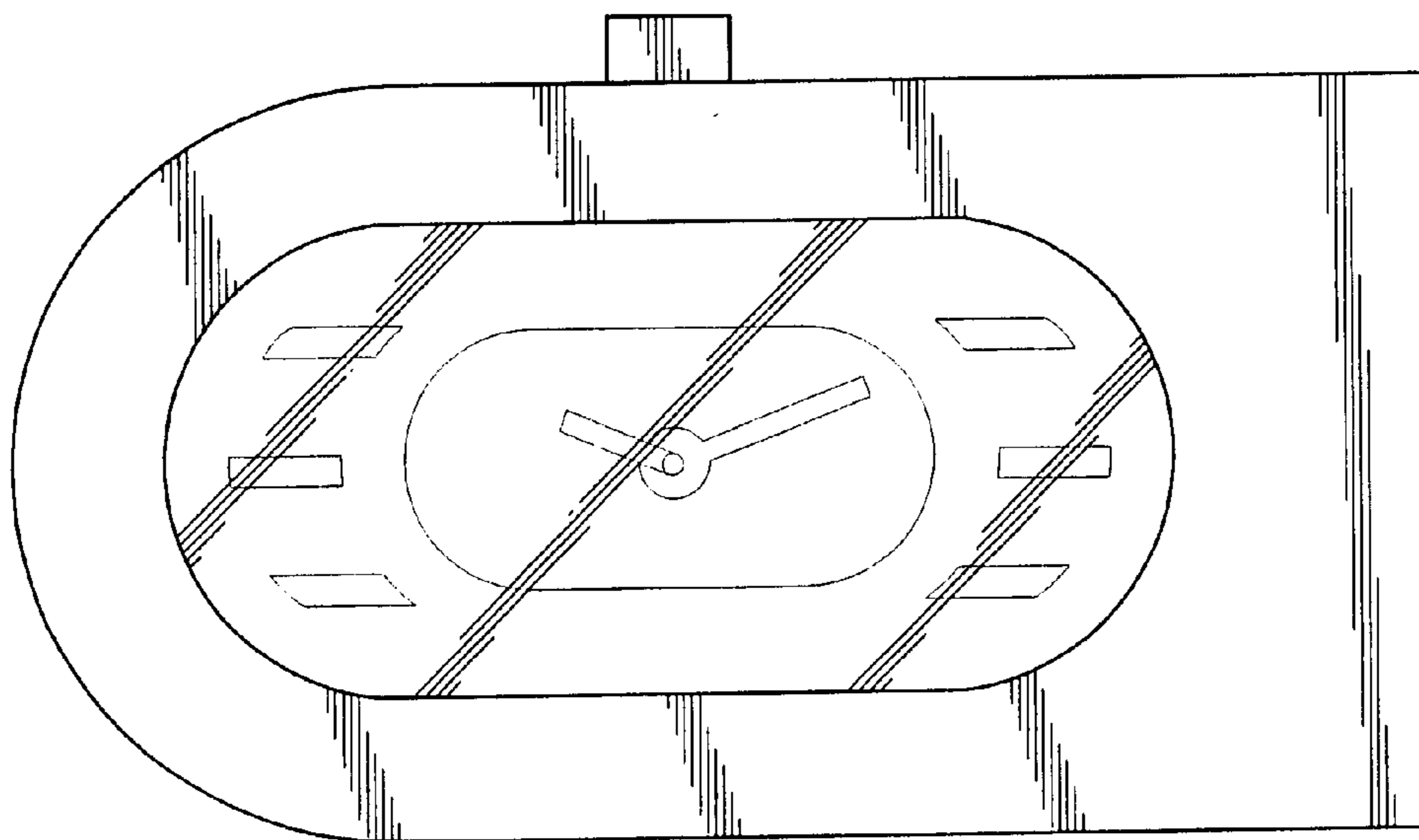


FIG. 6