

US00D520373S

(12) **United States Design Patent**
Ortiz

(10) **Patent No.:** **US D520,373 S**

(45) **Date of Patent:** **** May 9, 2006**

(54) **FLASK WITH A CAP**

3,923,178 A * 12/1975 Welker, III 215/382 X
D446,729 S * 8/2001 Renella et al. D9/559

(76) Inventor: **Juan Moreno Ortiz**, 4a., Avda. 15-
Polg. Campolla, 02080 Albacete (ES)

OTHER PUBLICATIONS

(**) Term: **14 Years**

Owens Illinois Glass Company, © 1972, Jars, Model No. C-541, center of page, p. F68.*

(21) Appl. No.: **29/191,220**

Modern Packaging Encyclopedia, © 1957, Closures for Rigid Containers, "Flat top Jar Closure Image", bottom center of page, p. 382.*

(22) Filed: **Sep. 17, 2003**

* cited by examiner

(51) **LOC (8) Cl.** **09-01**

(52) **U.S. Cl.** **D9/559; D9/556; D9/571**

Primary Examiner—Carol Rademaker

(58) **Field of Classification Search** D9/651,
D9/516, 529, 544-546, 549, 553-556, 558,
D9/559, 566-569, 571-574; D19/93-94,
D19/96-97; 215/382-384

(74) *Attorney, Agent, or Firm*—Horst M. Kasper

See application file for complete search history.

(57) **CLAIM**

The ornamental design for a flask with a cap, as shown and described.

(56) **References Cited**

DESCRIPTION

U.S. PATENT DOCUMENTS

D40,138 S	*	7/1909	Schramm	D9/556 X
D42,965 S	*	9/1912	Guidry	D9/559
D43,137 S	*	10/1912	Eichhorn	D9/529
D43,566 S	*	2/1913	Eichhorn	D9/545 X
D44,764 S	*	10/1913	Haley	D9/529
D44,765 S	*	10/1913	Haley	D9/546
D54,214 S	*	11/1919	Jenkins	D9/546
D81,937 S	*	9/1930	McNally	D9/559
D86,408 S	*	3/1932	Piazzoli	D9/546
D89,141 S	*	1/1933	Wilson	D9/559
D97,681 S	*	12/1935	Larsen	D19/93 X
D125,920 S	*	3/1941	Lundy	D9/546

FIG. 1 is a front view of the design of flask with a cap. A back view, right and left side views are identical.

FIG. 2 is a bottom view of the design thereof;

FIG. 3 is a top view of the design thereof;

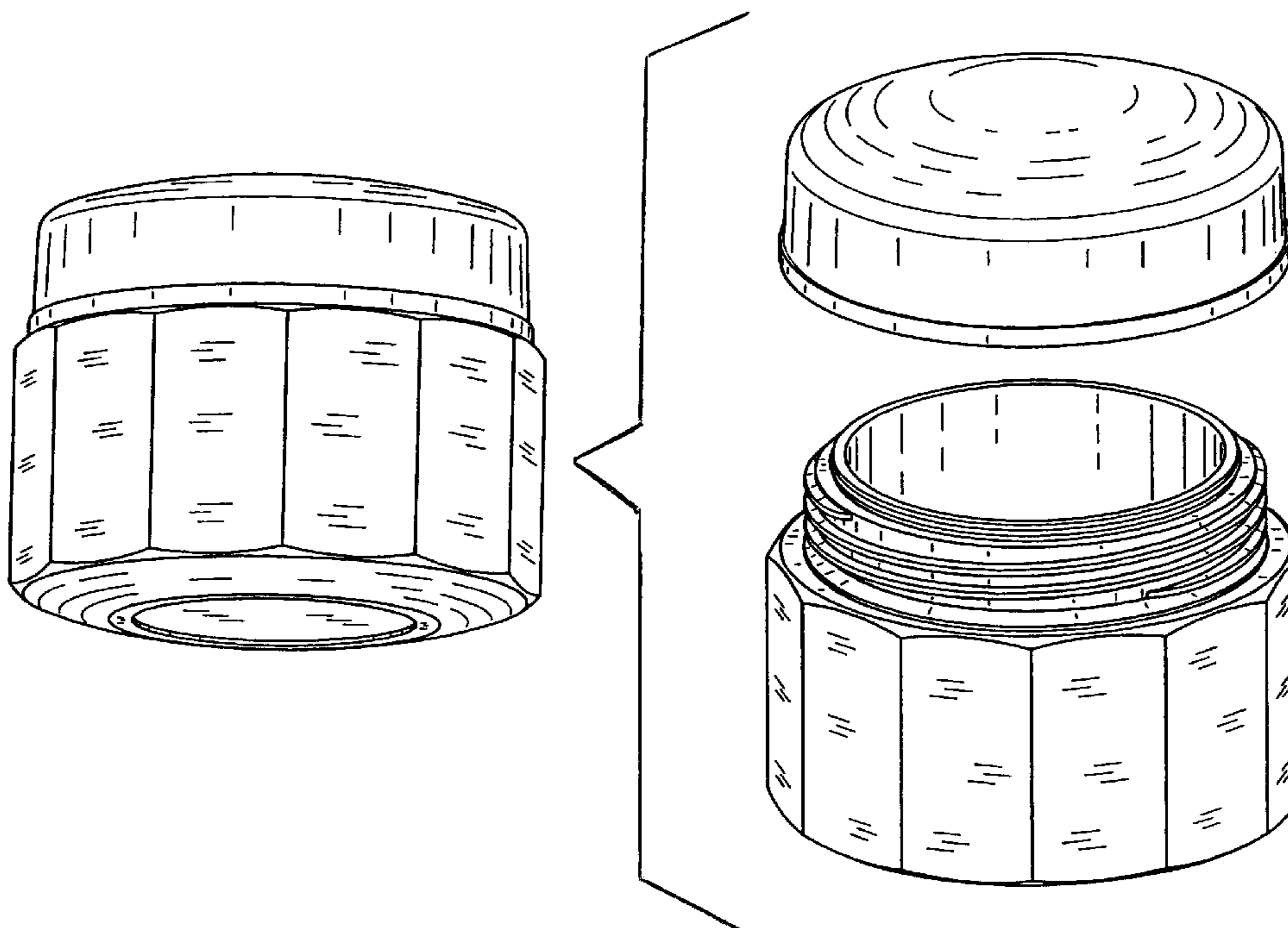
FIG. 4 is a front-top perspective view of the design thereof;

FIG. 5 is a front-bottom perspective view of the design thereof;

FIG. 6 is a partial cross sectional view of the design thereof, taken along section line 6—6 in FIG. 2; and,

FIG. 7 is an exploded perspective view of the design thereof.

1 Claim, 4 Drawing Sheets



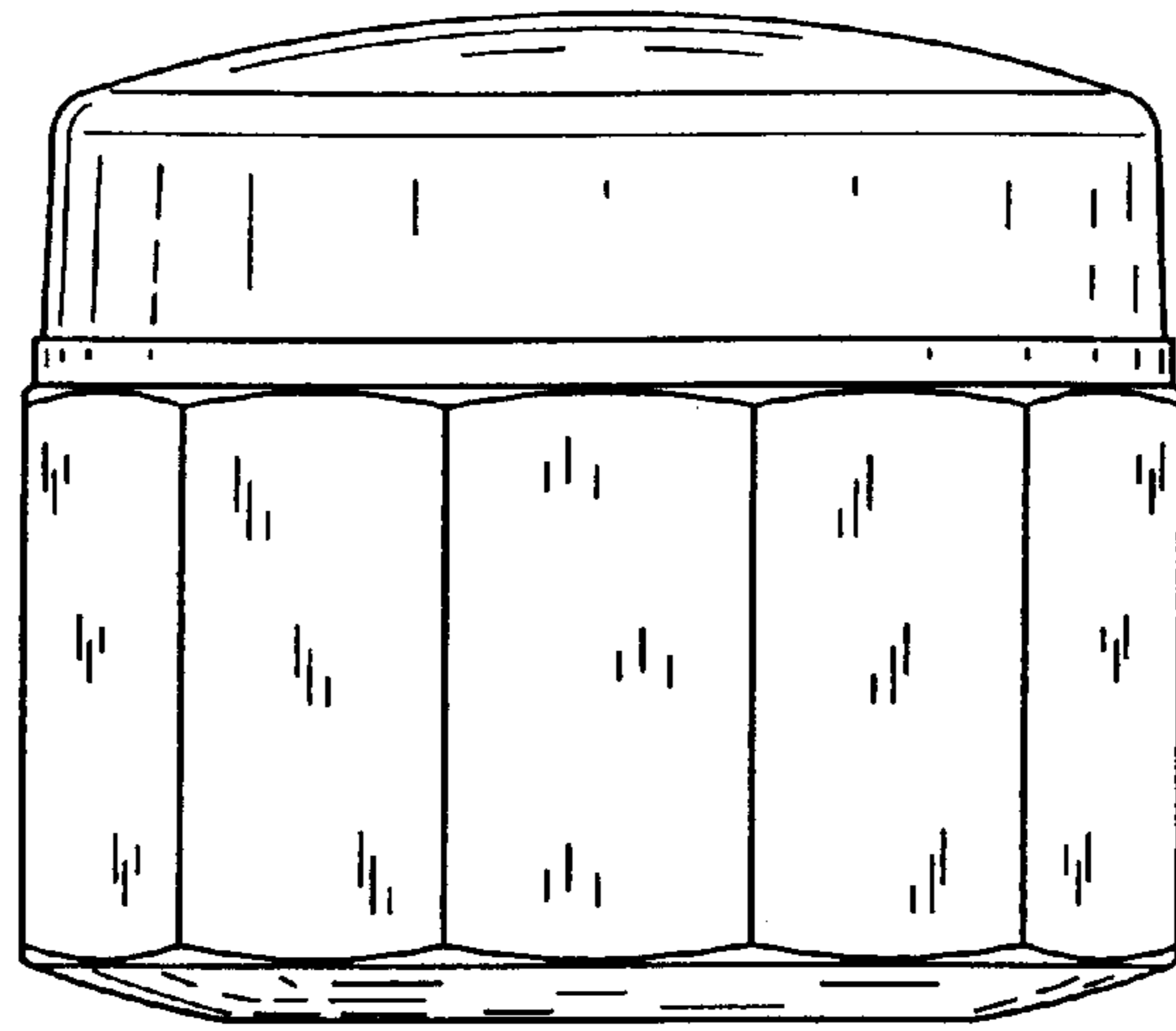


Fig.1

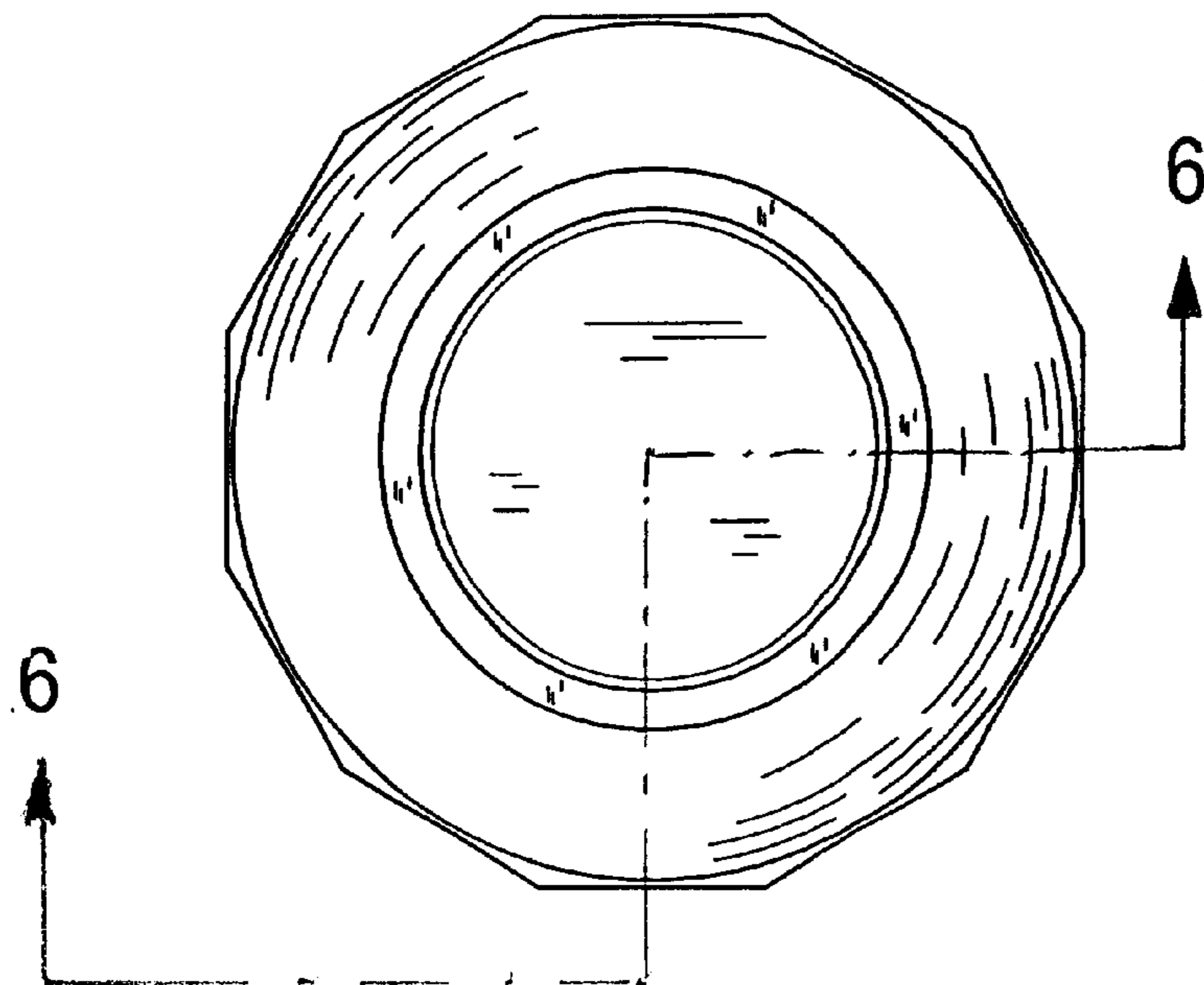


Fig.2

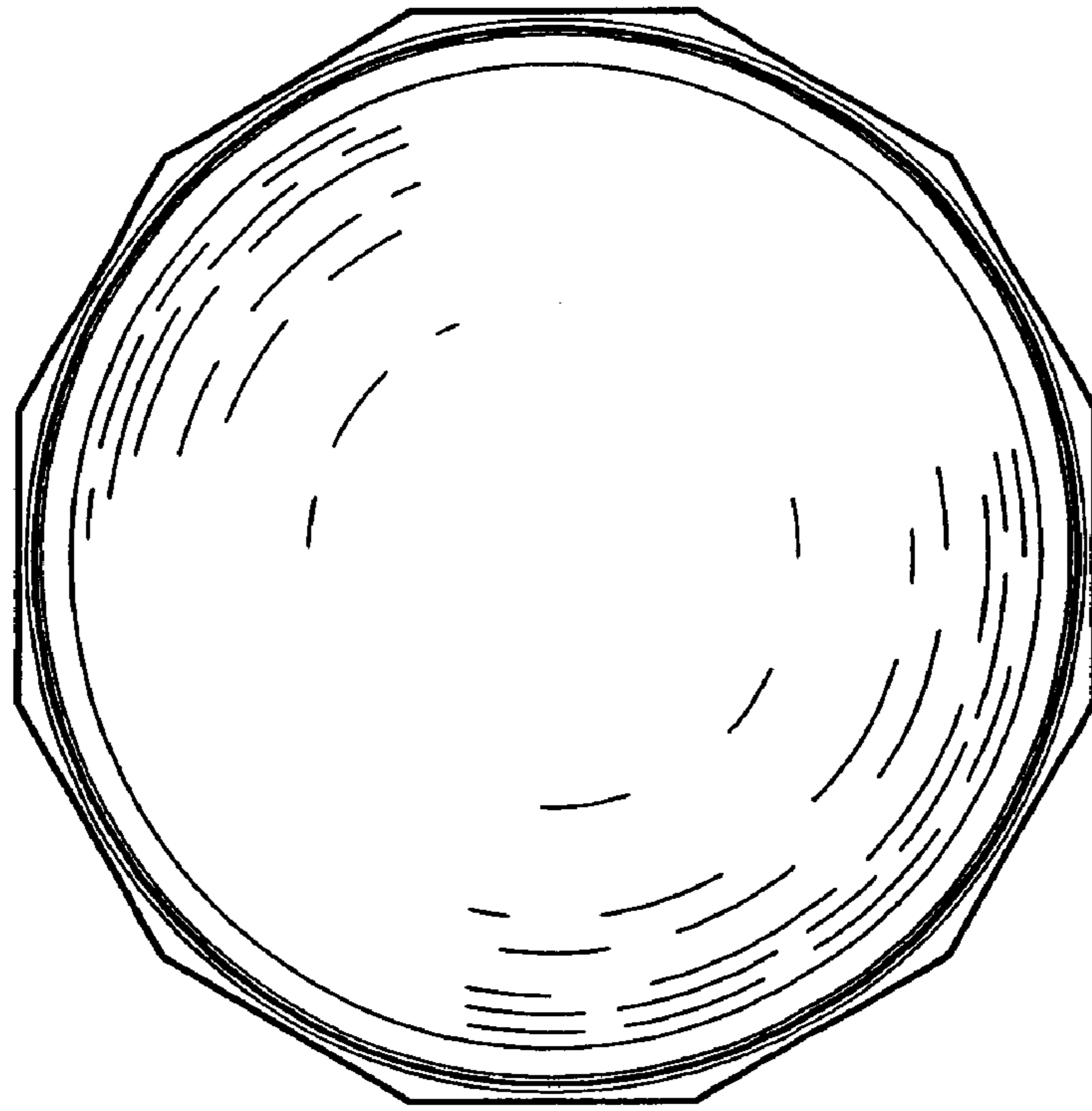


Fig.3

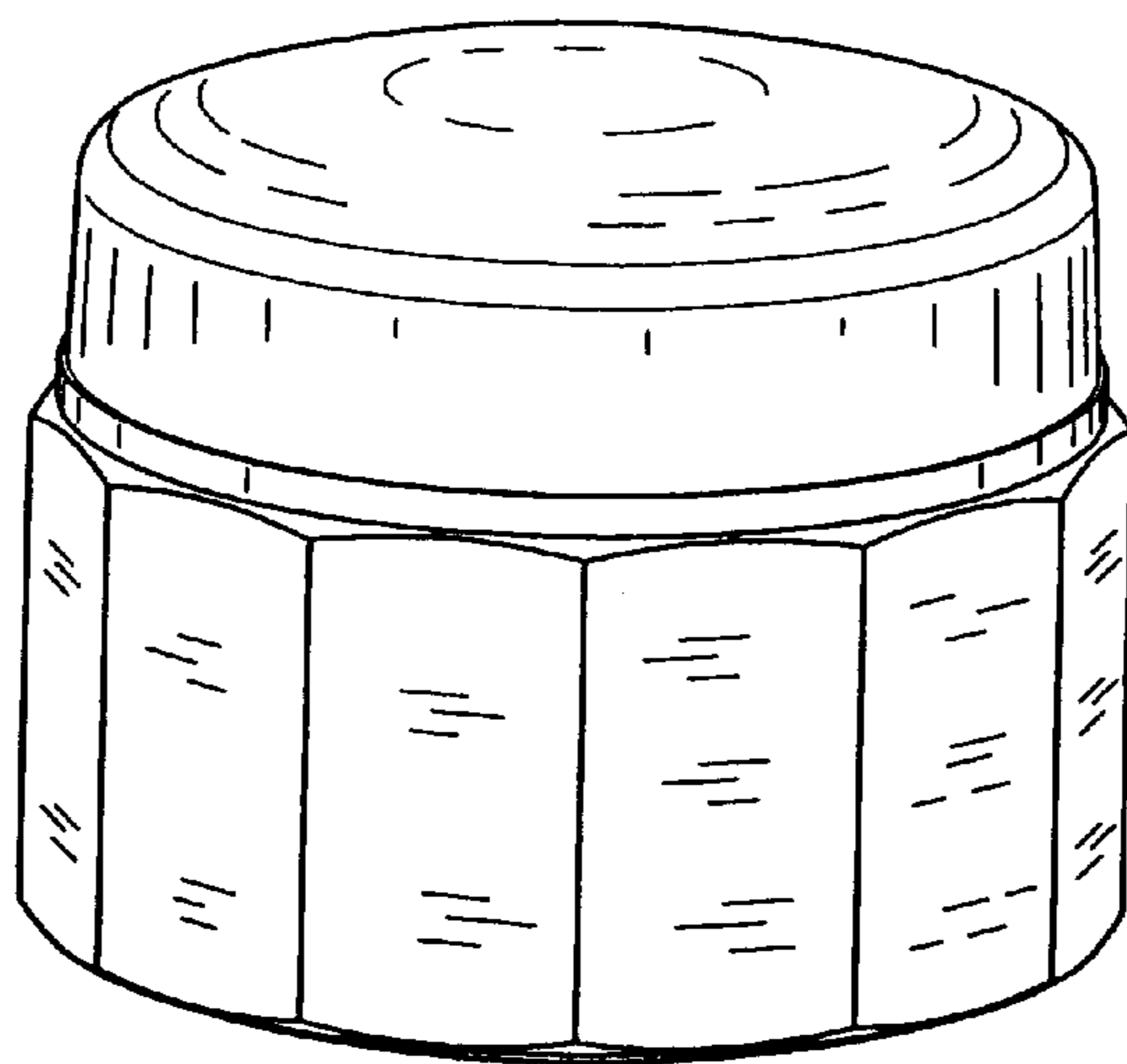


Fig.4

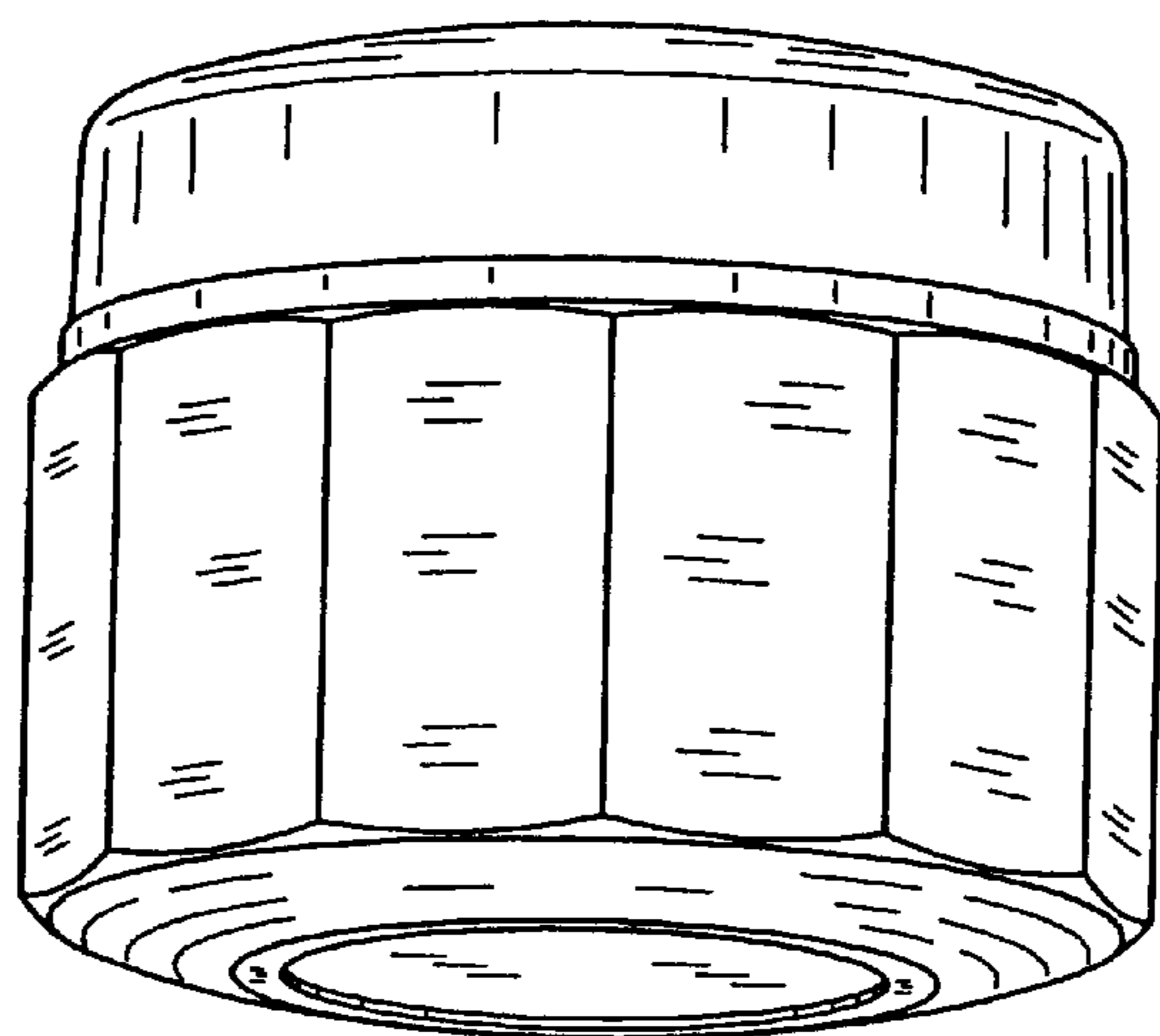


Fig.5

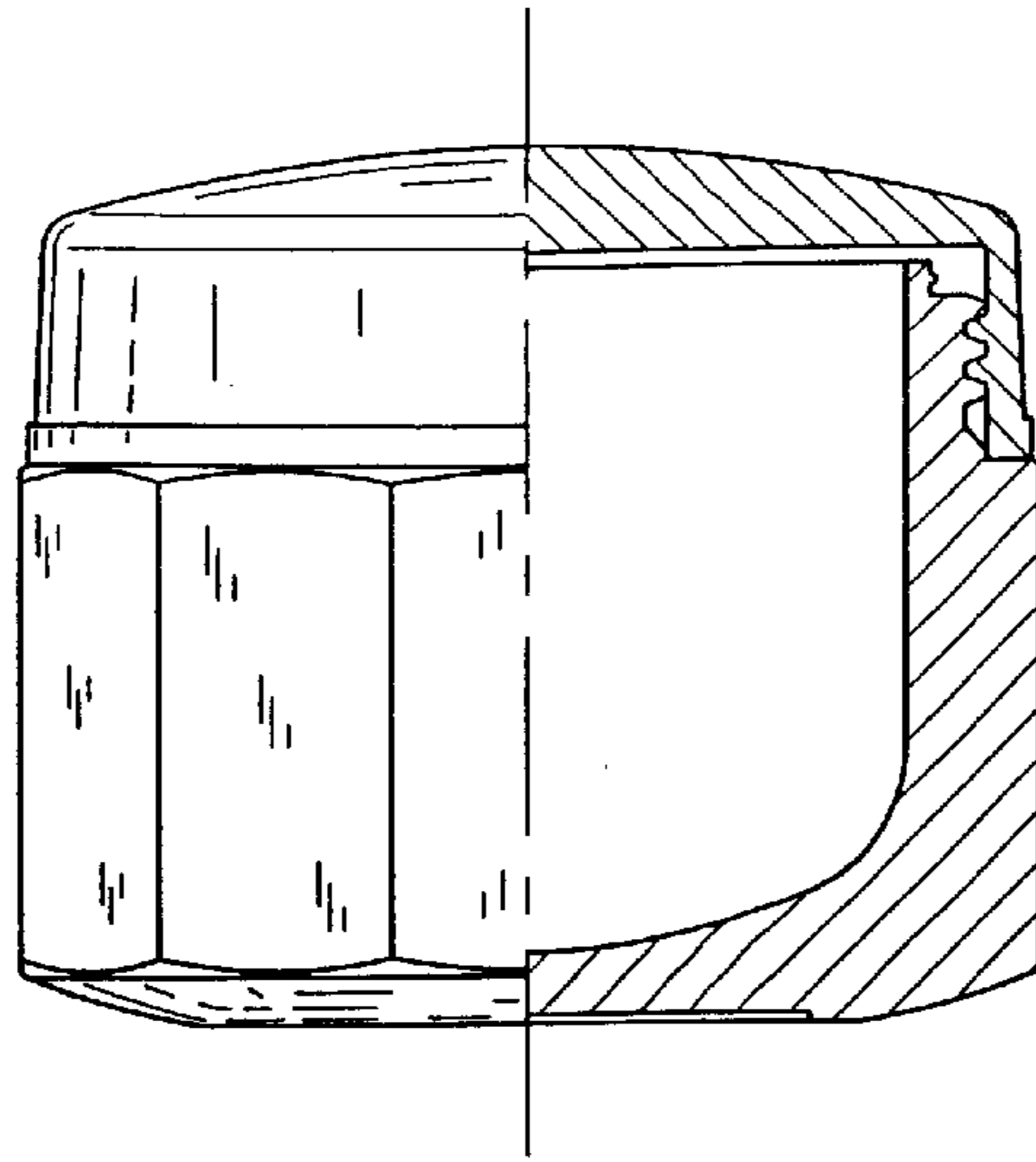


Fig.6

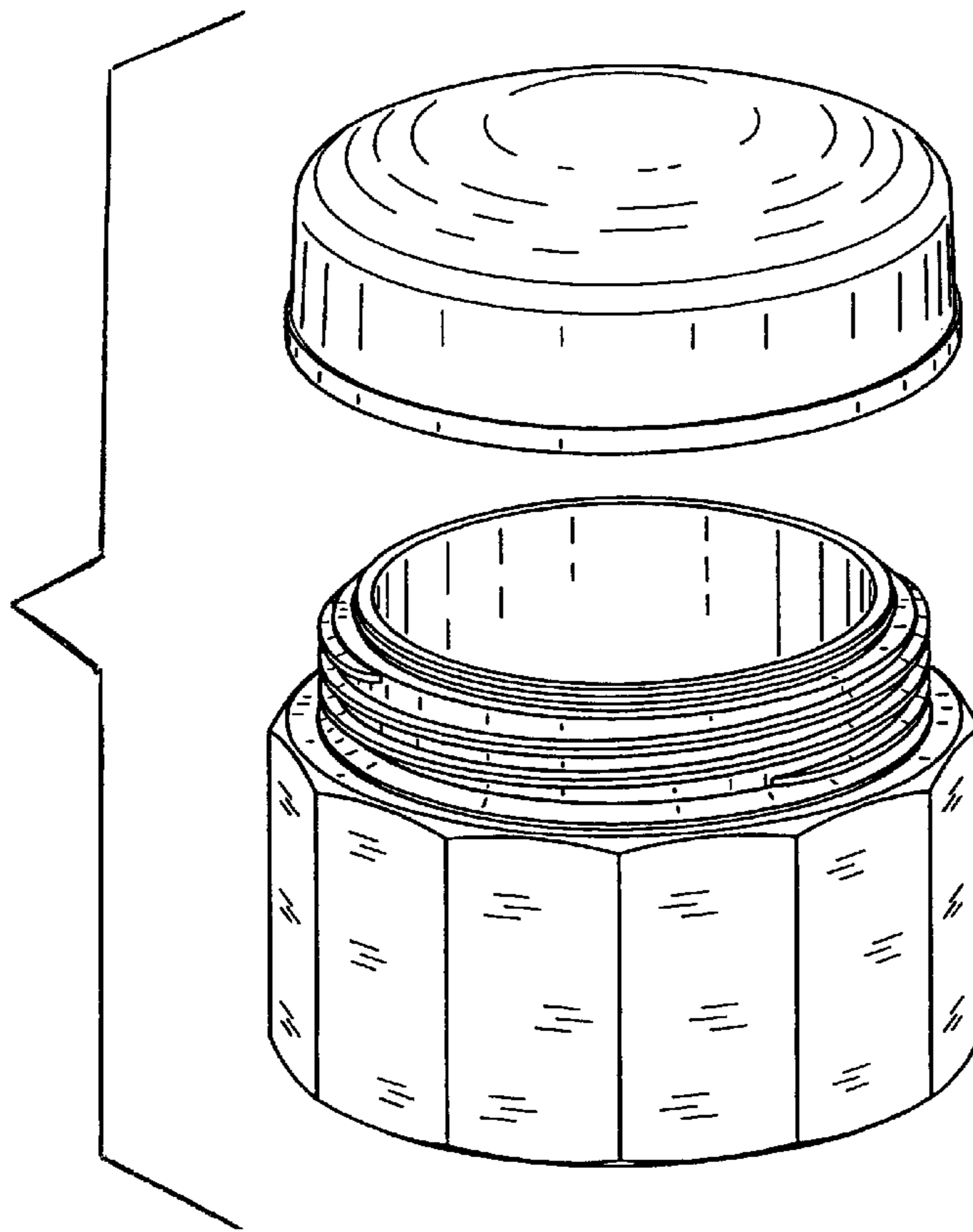


Fig.7