

US00D520367S

(12) **United States Design Patent**  
**Morris**

(10) **Patent No.:** **US D520,367 S**

(45) **Date of Patent:** **\*\* May 9, 2006**

- (54) **OIL RECYCLING CONTAINER**
- (75) Inventor: **Michael A. Morris**, Rancho Palos Verdes, CA (US)
- (73) Assignee: **GEO Plastics**, Los Angeles, CA (US)
- (\*\*) Term: **14 Years**
- (21) Appl. No.: **29/232,711**
- (22) Filed: **Jun. 22, 2005**
- (51) **LOC (8) Cl.** ..... **09-01**
- (52) **U.S. Cl.** ..... **D9/527**
- (58) **Field of Classification Search** ..... D9/516, D9/523, 524, 526-530, 543, 575; D15/152; D12/218; D34/1; D23/202; 206/223, 508, 206/509; 215/380, 383, 398; 220/288, 573; 222/223, 508, 509; 141/98, 331, 339  
See application file for complete search history.

- 4,881,650 A 11/1989 Bartz
- D310,170 S \* 8/1990 Bartz ..... D15/152
- 4,969,571 A 11/1990 Bartz
- D322,933 S \* 1/1992 Hutchison ..... D15/152
- 5,285,824 A 2/1994 Krstovic
- D351,394 S 10/1994 Morris

\* cited by examiner

*Primary Examiner*—Nanda Bondade

*Assistant Examiner*—Shanda C. Hill

(74) *Attorney, Agent, or Firm*—Dorsey & Whitney LLP

(57) **CLAIM**

The ornamental design for an oil recycling container, as shown and described.

**DESCRIPTION**

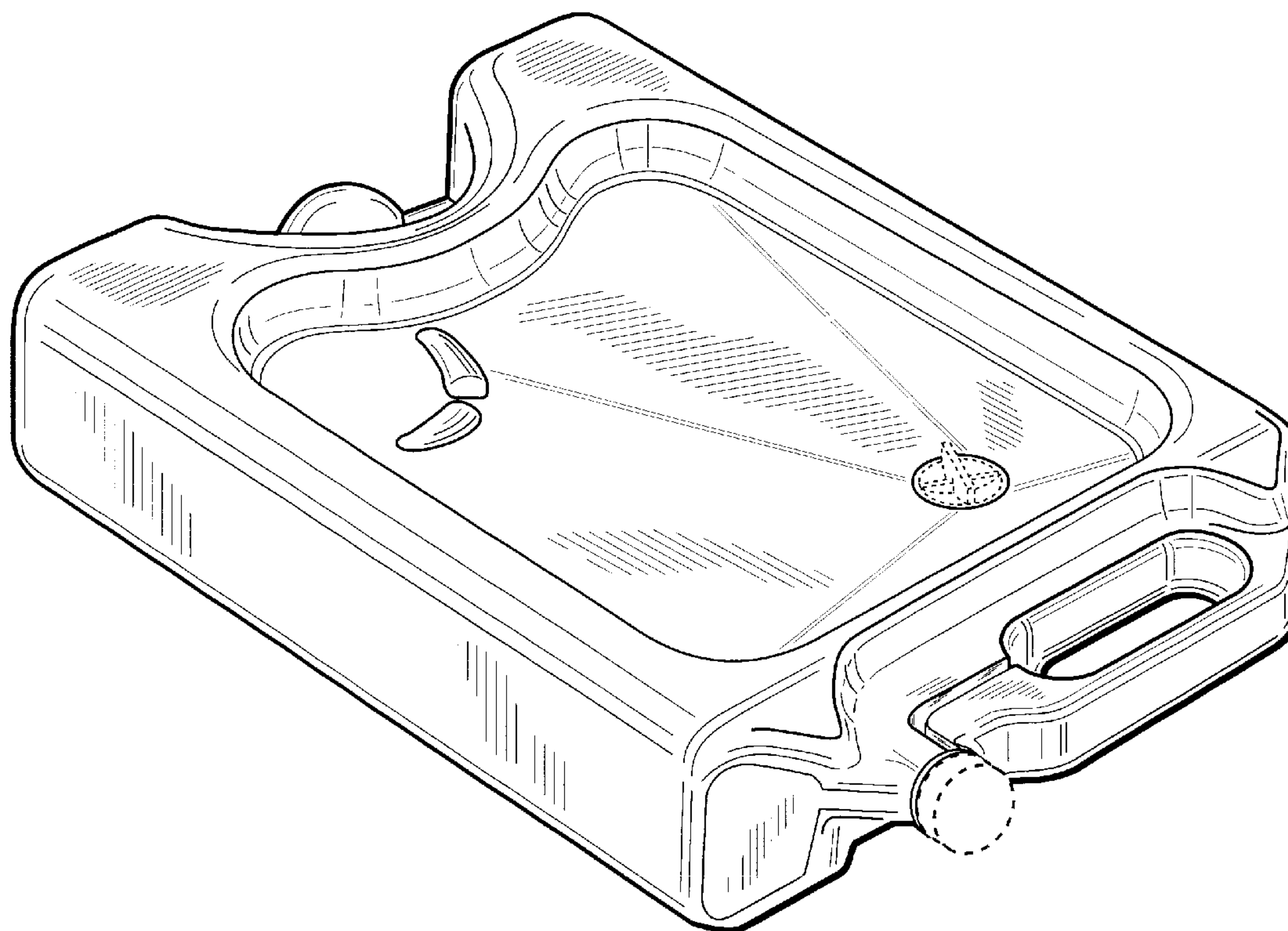
FIG. 1 is a top perspective view of an oil recycling container showing my new design;  
 FIG. 2 is a bottom perspective view thereof;  
 FIG. 3 is a top plan view thereof;  
 FIG. 4 is an end elevational view thereof;  
 FIG. 5 is a bottom plan view thereof;  
 FIG. 6 is an opposite end elevational view of FIG. 4;  
 FIG. 7 is a side elevational view thereof; and,  
 FIG. 8 is an opposite side elevational view of FIG. 7.  
 The broken lines shown in the drawing disclosure are for illustrative purposes only and form no part of the claimed design.

(56) **References Cited**

**U.S. PATENT DOCUMENTS**

- D181,947 S \* 1/1958 Scanland ..... D9/524
- D181,948 S \* 1/1958 Scanland ..... D9/524
- 3,940,002 A \* 2/1976 Schiemann ..... 215/383
- D262,776 S \* 1/1982 Sandow ..... D15/152
- 4,488,584 A 12/1984 Hestehave et al.
- 4,632,268 A 12/1986 Melzi et al.
- 4,673,081 A 6/1987 Habig et al.
- D294,332 S \* 2/1988 Harrison ..... D15/152

**1 Claim, 6 Drawing Sheets**



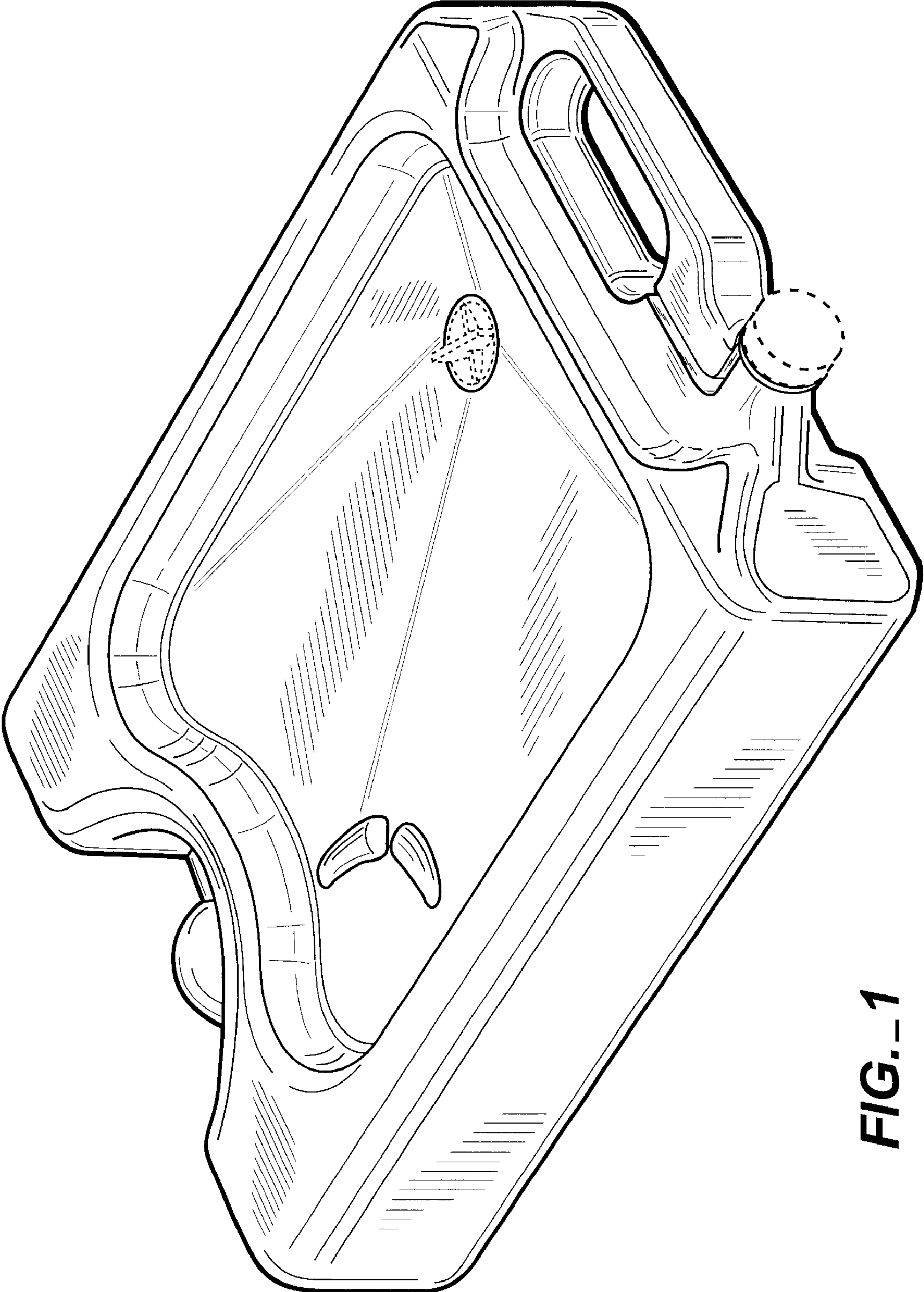


FIG.-1



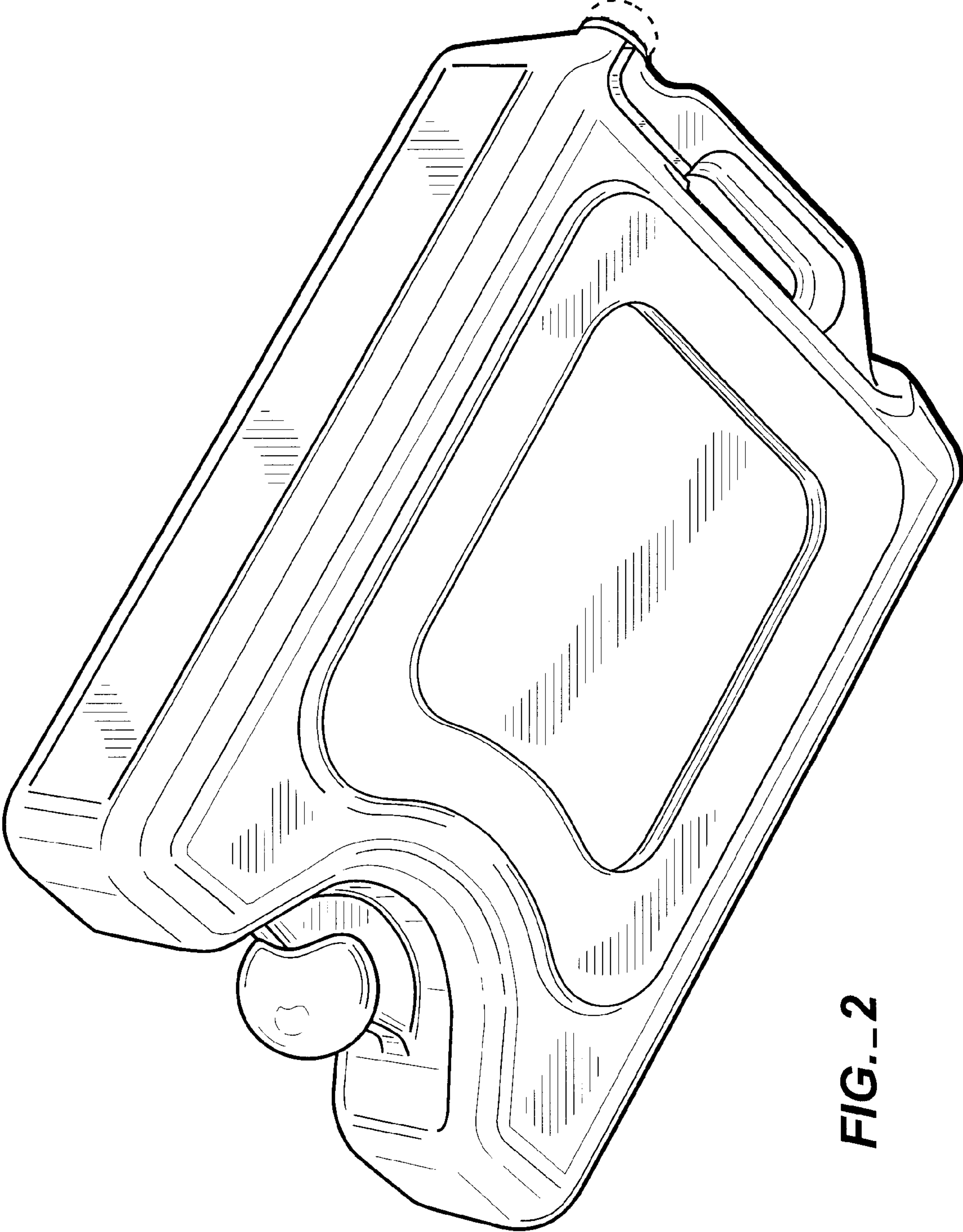
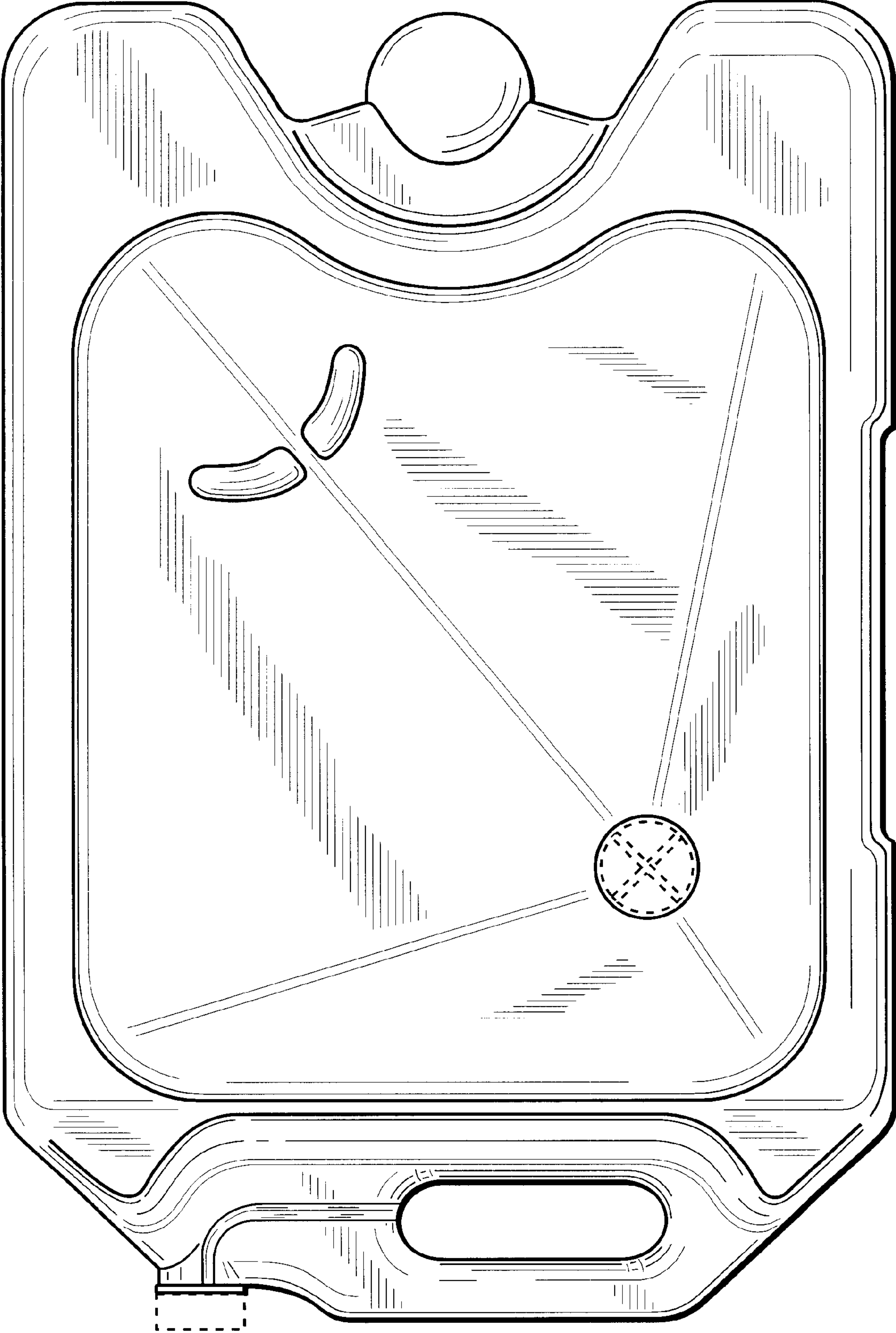
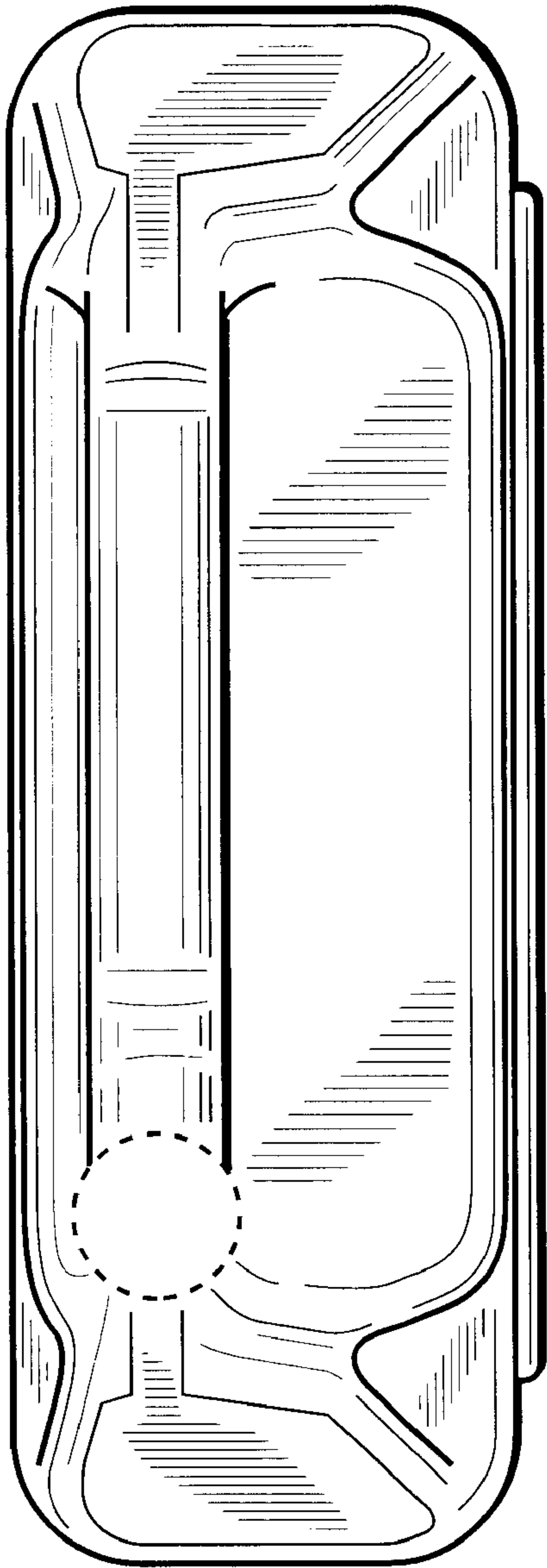


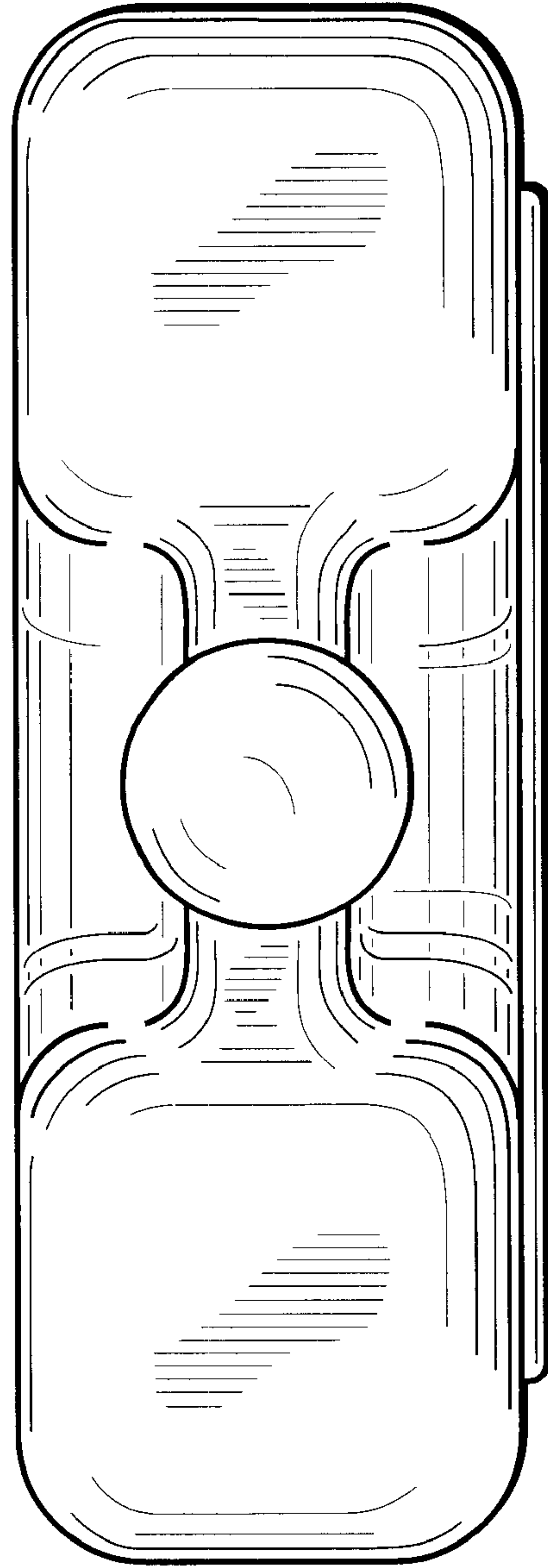
FIG.--2



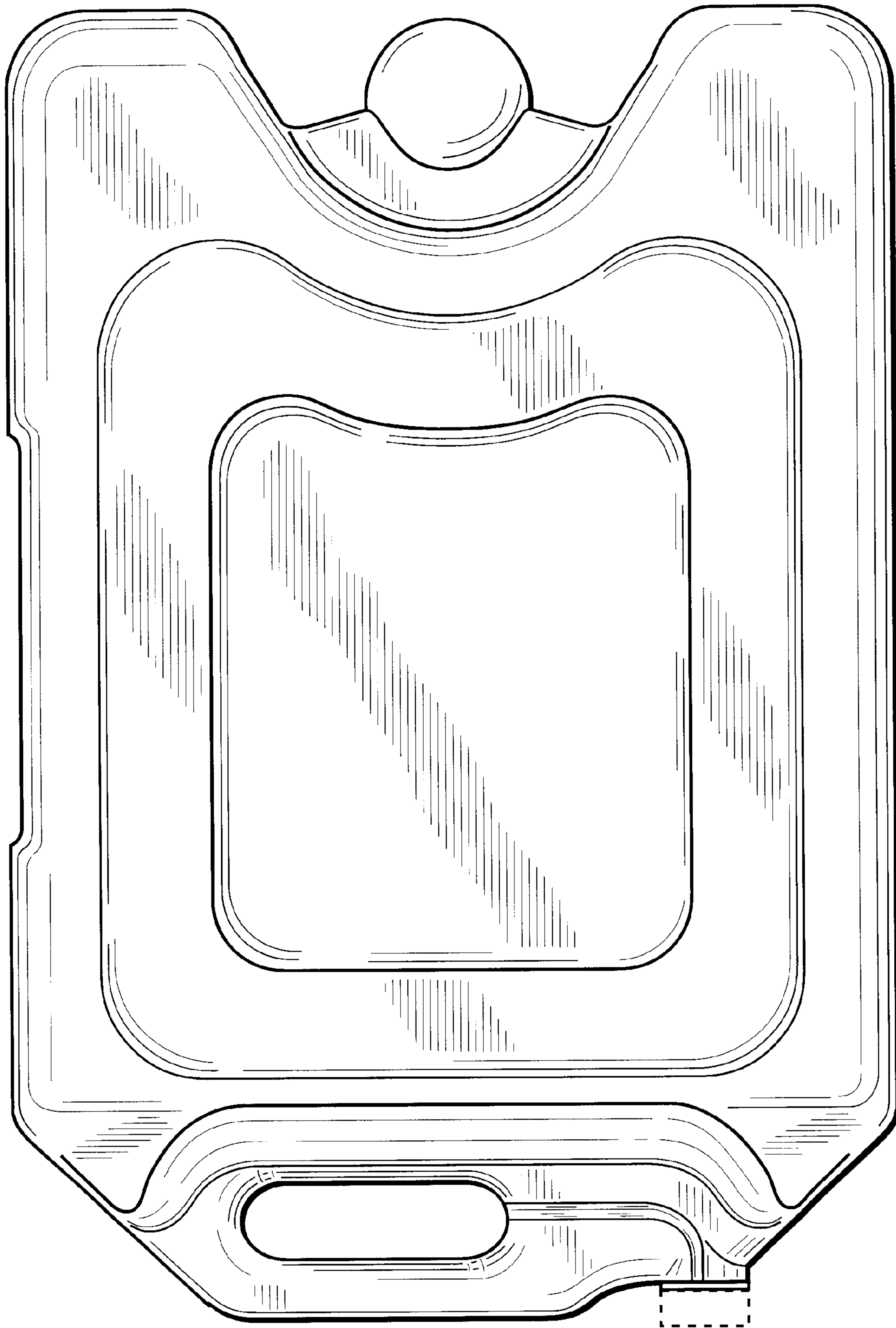
**FIG. 3**



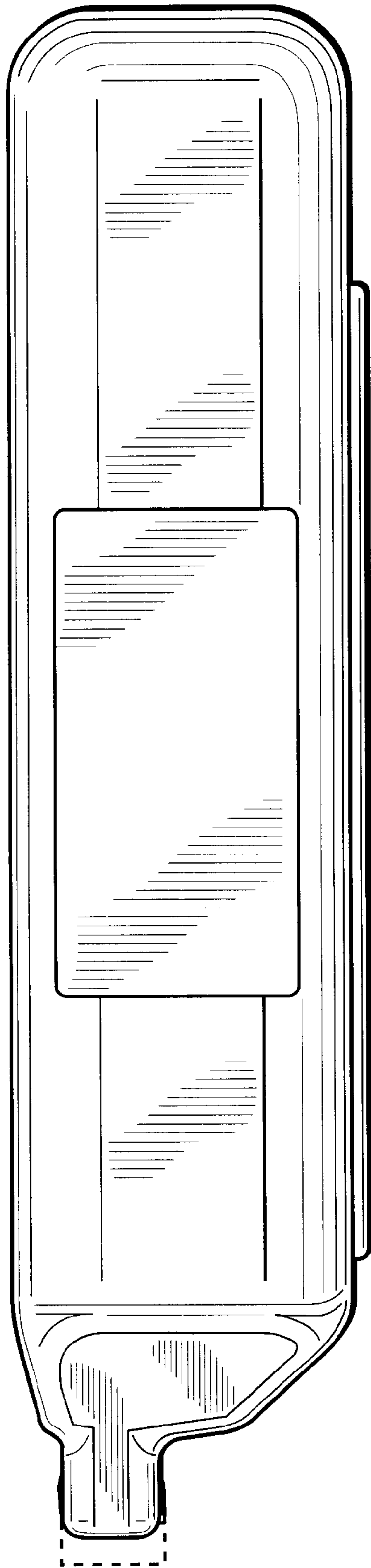
**FIG. 4**



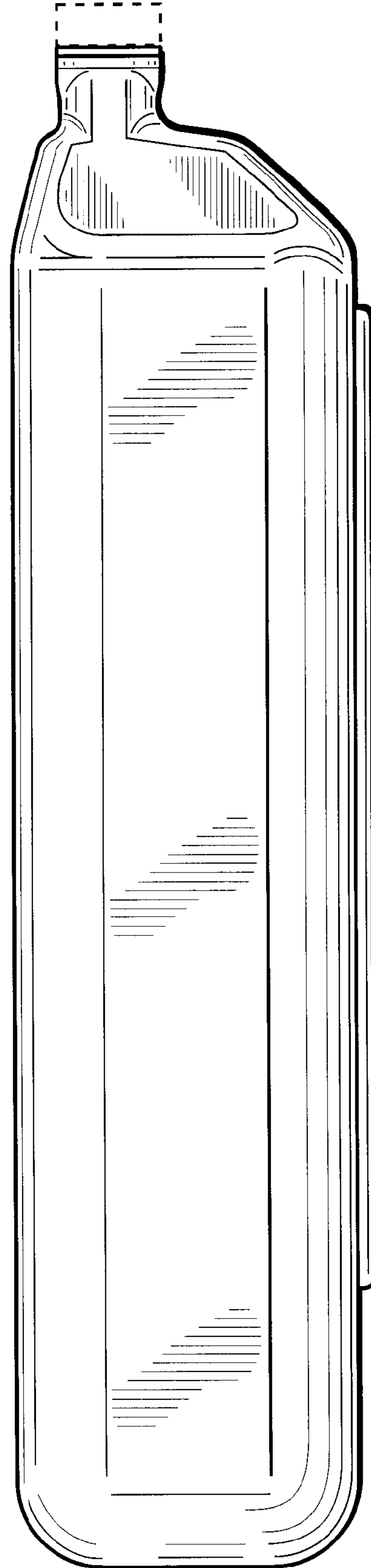
**FIG. 6**



**FIG. 5**



**FIG. 7**



**FIG. 8**