

US00D520364S

(12) **United States Design Patent** (10) **Patent No.:** **US D520,364 S**  
**Abadinsky** (45) **Date of Patent:** **\*\* May 9, 2006**

(54) **BOTTLE**  
(75) Inventor: **Donna Abadinsky**, Chicago, IL (US)  
(73) Assignee: **MSRF, Inc.**, Chicago, IL (US)  
(\*\*) Term: **14 Years**  
(21) Appl. No.: **29/234,406**  
(22) Filed: **Jul. 18, 2005**  
(51) **LOC (8) Cl.** ..... **09-01**  
(52) **U.S. Cl.** ..... **D9/502; D9/545**  
(58) **Field of Classification Search** ..... D9/500,  
D9/502-505, 510-514, 516, 522-523, 530,  
D9/539, 541-549, 557-558, 560, 562, 572-575,  
D9/652, 682, 684, 689, 692-693, 744-746;  
215/381-385, 396, 398, 400  
See application file for complete search history.

5,924,583 A 7/1999 Stevens et al.  
RE36,595 E \* 3/2000 Newman ..... D27/162  
D425,796 S 5/2000 Duranthon  
D426,789 S 6/2000 Joergensen  
D432,407 S 10/2000 Lee  
6,145,681 A 11/2000 Chimetto et al.  
D434,668 S 12/2000 Chimetto et al.  
D448,998 S 10/2001 Farris  
D450,573 S 11/2001 Mansau  
D464,434 S 10/2002 Morano  
D465,151 S \* 11/2002 Mixon ..... D9/668  
D469,017 S 1/2003 Mauro  
D470,770 S \* 2/2003 Machado et al. .... D9/500  
D473,313 S 4/2003 Diak/Ghanem  
6,551,639 B1 4/2003 Nye et al.  
D476,899 S \* 7/2003 Honkawa ..... D9/539  
D478,289 S 8/2003 Dean et al.  
6,631,819 B1 10/2003 Diak/Ghanem  
D481,627 S 11/2003 Hillesland  
6,659,300 B1 12/2003 Wurster et al.  
D484,810 S 1/2004 Rosen  
D489,001 S 4/2004 Martin  
D495,608 S 9/2004 Klemm et al.  
D498,676 S 11/2004 Crawford  
2002/0104820 A1 8/2002 Hong et al.  
2003/0010744 A1 1/2003 Ma et al.

(56) **References Cited**

**U.S. PATENT DOCUMENTS**

D71,066 S \* 9/1926 Jones ..... D9/500  
D152,685 S \* 2/1949 Graham ..... D9/558 X  
D152,875 S 3/1949 Frame  
D184,474 S \* 2/1959 Dillon ..... D9/500  
D206,830 S 1/1967 Marchant  
D234,998 S \* 4/1975 Achenbach ..... 215/382 X  
D242,691 S \* 12/1976 Koenigsberg ..... D9/542  
D256,666 S 9/1980 Sarda  
D280,601 S 9/1985 Biesecker  
D297,310 S 8/1988 Mednis  
D299,428 S 1/1989 Wilfond  
D312,570 S 12/1990 Lunderman  
D322,563 S 12/1991 Grandesso et al.  
5,080,149 A \* 1/1992 Peoples ..... 215/383 X  
D323,615 S \* 2/1992 Carlstrom ..... D9/746  
5,088,642 A 2/1992 Farber  
D337,522 S 7/1993 Kingsbury  
D355,728 S \* 2/1995 Newman ..... D27/162  
D356,737 S 3/1995 Ginsberg  
D362,929 S \* 10/1995 Strong ..... D32/1  
D366,618 S 1/1996 Brillet et al.  
D366,619 S 1/1996 Holdbrook  
D369,969 S 5/1996 Grivory  
D388,709 S 1/1998 Weiss  
D395,240 S 6/1998 Dinand

**FOREIGN PATENT DOCUMENTS**

GB 2067867 \* 11/1997  
GB 2090490 \* 4/2000  
GB 3002884 \* 6/2002

\* cited by examiner

*Primary Examiner*—Carol Rademaker  
(74) *Attorney, Agent, or Firm*—Seyfarth Shaw LLP

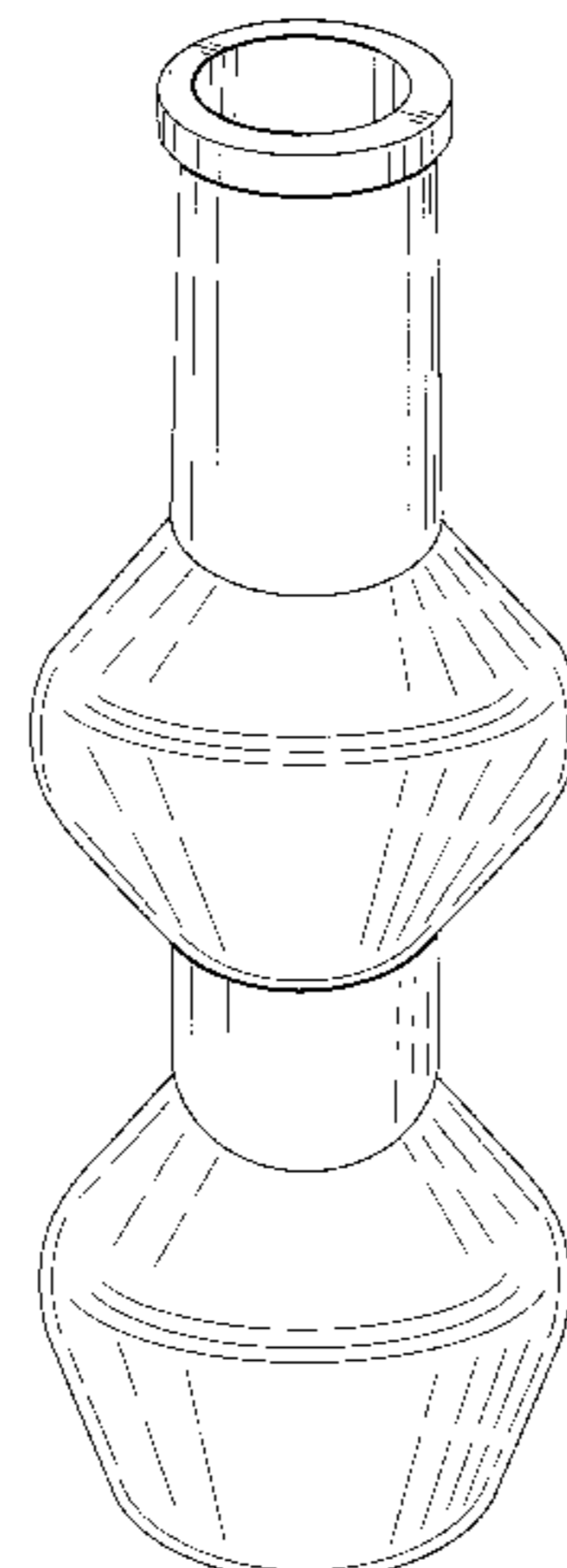
(57) **CLAIM**

The ornamental design for a bottle, as shown and described.

**DESCRIPTION**

FIG. 1 is a perspective view of the bottle showing my new design;  
FIG. 2 is a front elevational view thereof, the left side, rear, and right side elevational views being identical;  
FIG. 3 is a top plan view thereof; and,  
FIG. 4 is a bottom plan view thereof.

**1 Claim, 3 Drawing Sheets**



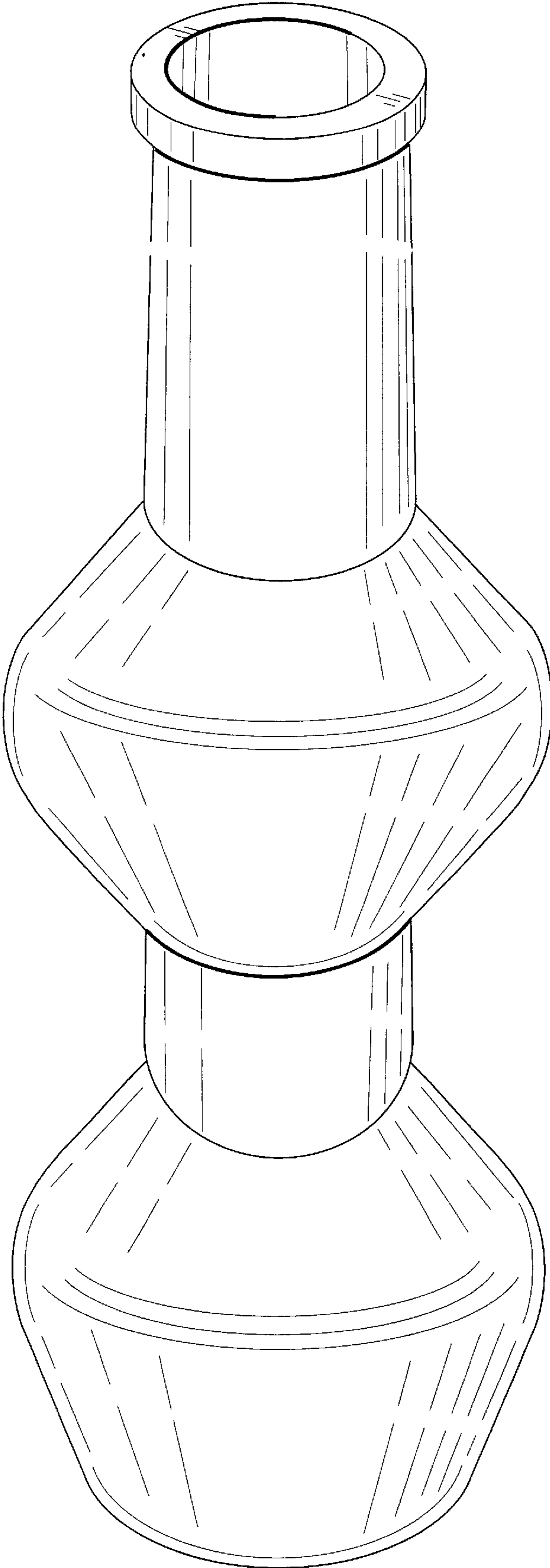


FIG. 1

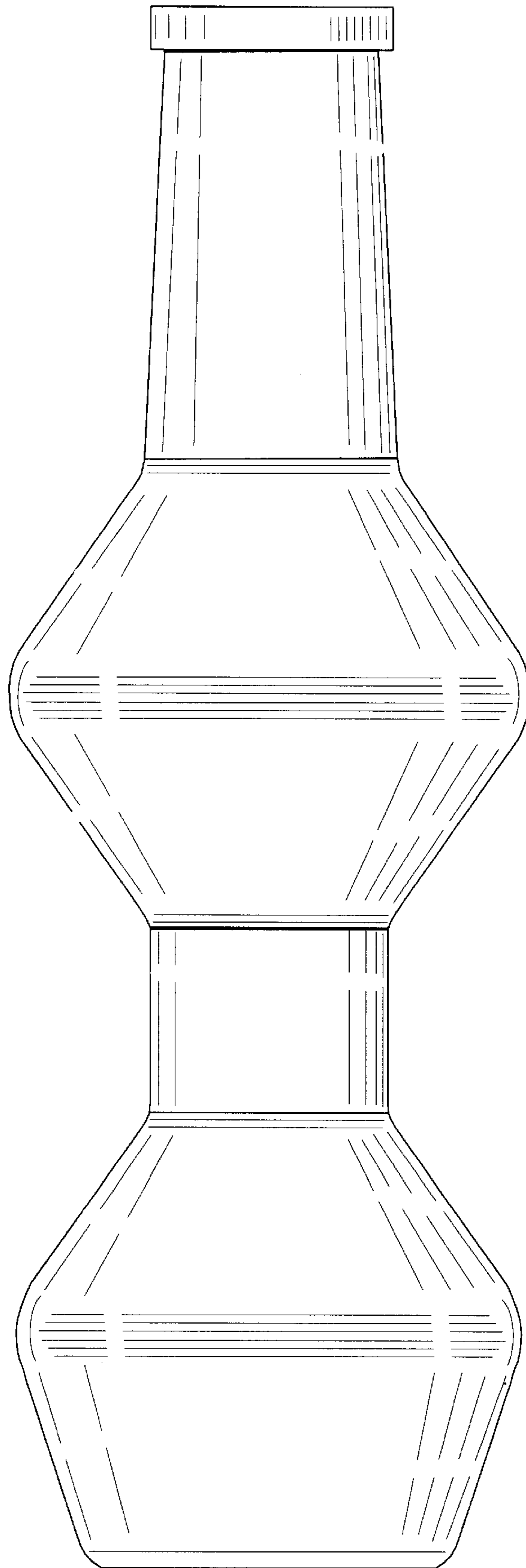


FIG. 2

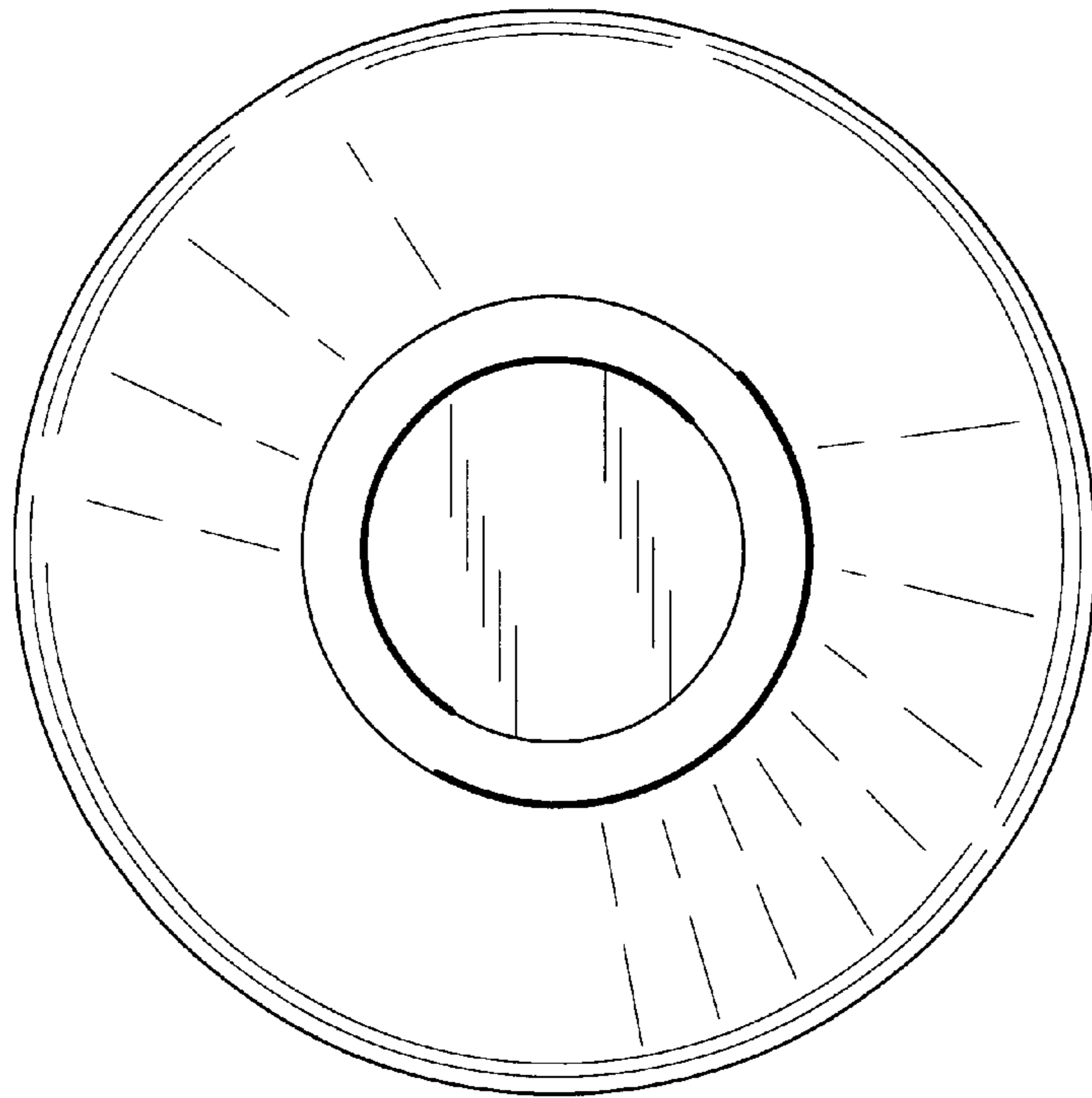


FIG. 3

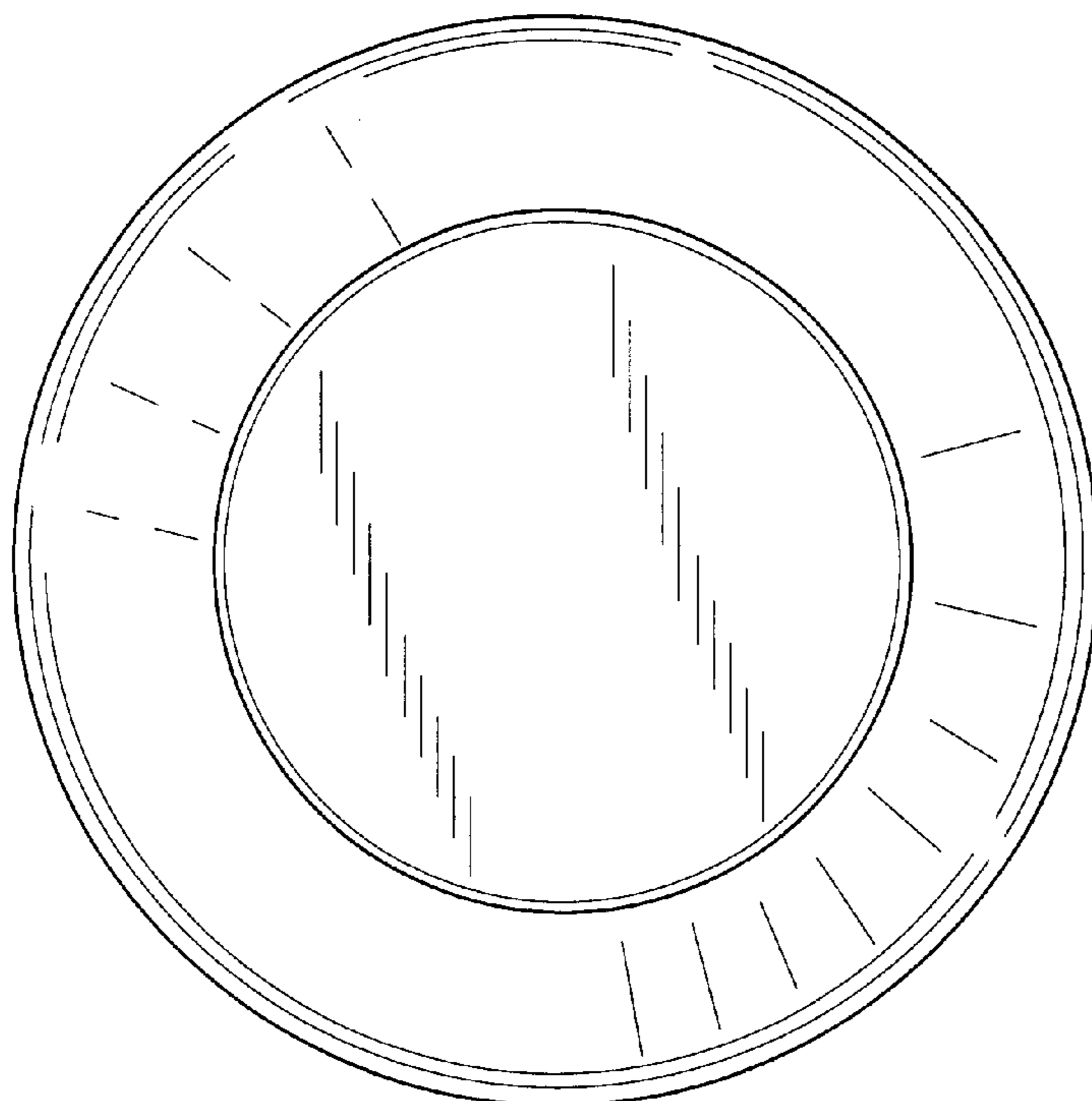


FIG. 4