



US00D520362S

(12) **United States Design Patent**
Powell

(10) **Patent No.:** **US D520,362 S**

(45) **Date of Patent:** **** May 9, 2006**

(54) **PLASTIC BAG CARRYING DEVICE**

(76) Inventor: **Brian S. Powell**, 956 S. Fremont,
Springfield, MO (US) 65804

(**) Term: **14 Years**

(21) Appl. No.: **29/221,939**

(22) Filed: **Jan. 24, 2005**

(51) **LOC (8) Cl.** **09-07**

(52) **U.S. Cl.** **D9/455; D9/434**

(58) **Field of Classification Search** D9/499,
D9/455, 443, 434, 435; D8/303, 315; D7/601,
D7/393, 394, 395, 387; D3/318, 328, 327;
294/14, 137; 383/20, 13; 493/226; 215/399,
215/396, 395; 24/30.5 R

See application file for complete search history.

(56) **References Cited**

U.S. PATENT DOCUMENTS

3,578,226	A	*	5/1971	Good	294/137
D295,727	S		5/1988	Clarke		
D340,789	S	*	10/1993	Merritt	D9/455
D356,261	S		3/1995	Miceli, Jr.		
D358,094	S		5/1995	DeGiacomo, Jr.		
D361,263	S		8/1995	Carmo et al.		
5,441,323	A	*	8/1995	Goddard	294/137
D362,386	S		9/1995	Blocker		
D362,621	S		9/1995	Blocker		
D369,470	S	*	5/1996	Suggs, Sr.	D9/434

5,645,306	A	*	7/1997	Kosteniuk	294/137
D385,788	S	*	11/1997	Risser	D9/434
5,797,166	A		8/1998	Wagenheim		
D447,947	S	*	9/2001	Nakagawa	D9/434
D463,127	S	*	9/2002	Haertzen	D3/328
6,511,114	B1		1/2003	Fludd		

* cited by examiner

Primary Examiner—Robert M. Spear

Assistant Examiner—Susan Bennett Hattan

(74) *Attorney, Agent, or Firm*—Richard L. Marsh

(57) **CLAIM**

The ornamental design for a plastic bag carrying device, as shown and described.

DESCRIPTION

FIG. 1 is a perspective view of the plastic bag carrying device of this invention.

FIG. 2 is a front plan view of the design for the plastic bag carrying device of FIG. 1, the rear plan view a mirror image.

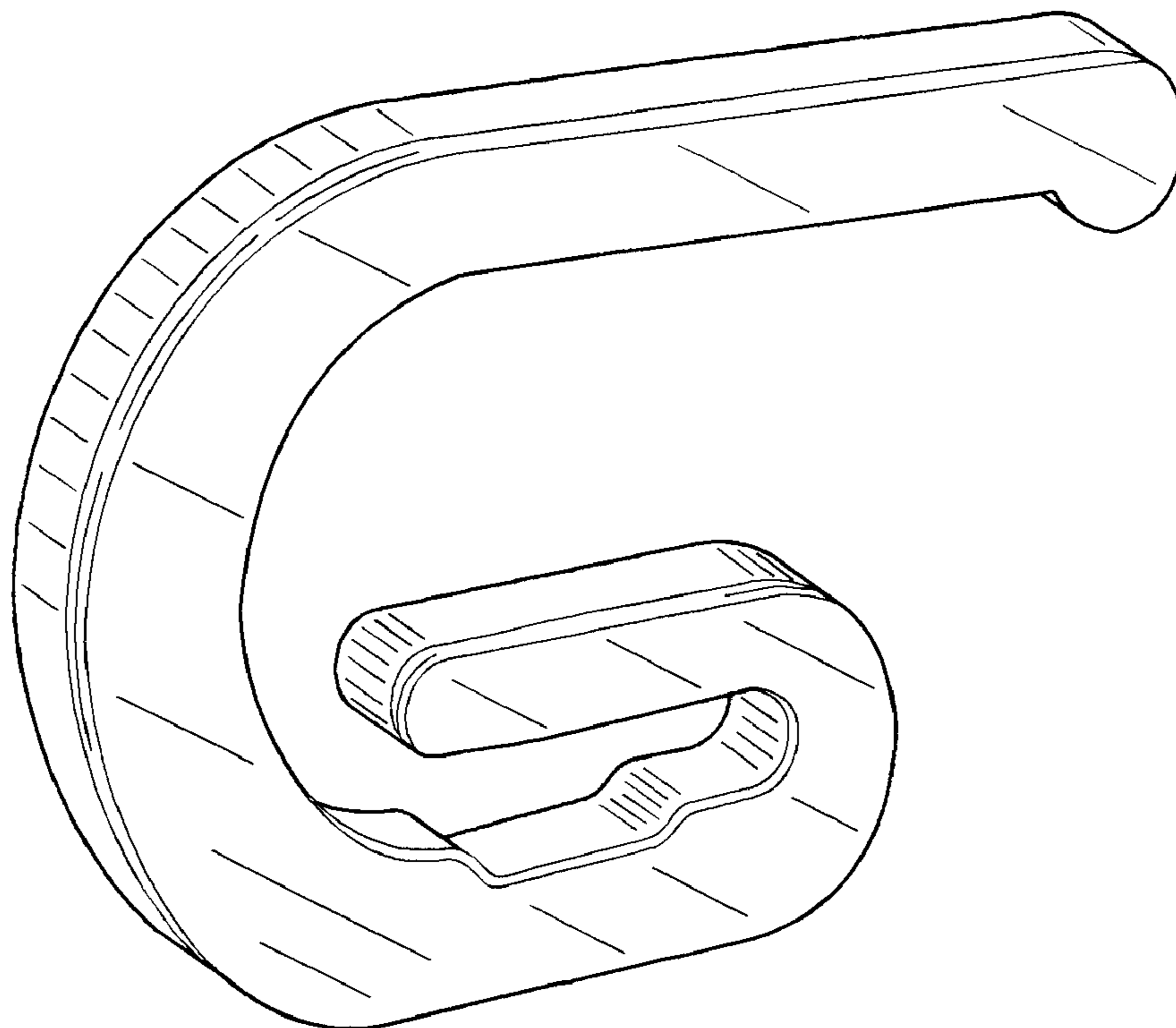
FIG. 3 is a right plan view of the design for the plastic bag carrying device of FIG. 1.

FIG. 4 is a left plan view of the design for the plastic bag carrying device of FIG. 1.

FIG. 5 is a top plan view of the design for the plastic bag carrying device of FIG. 1; and,

FIG. 6 is a bottom view of the design for the plastic bag carrying device of FIG. 1.

1 Claim, 2 Drawing Sheets



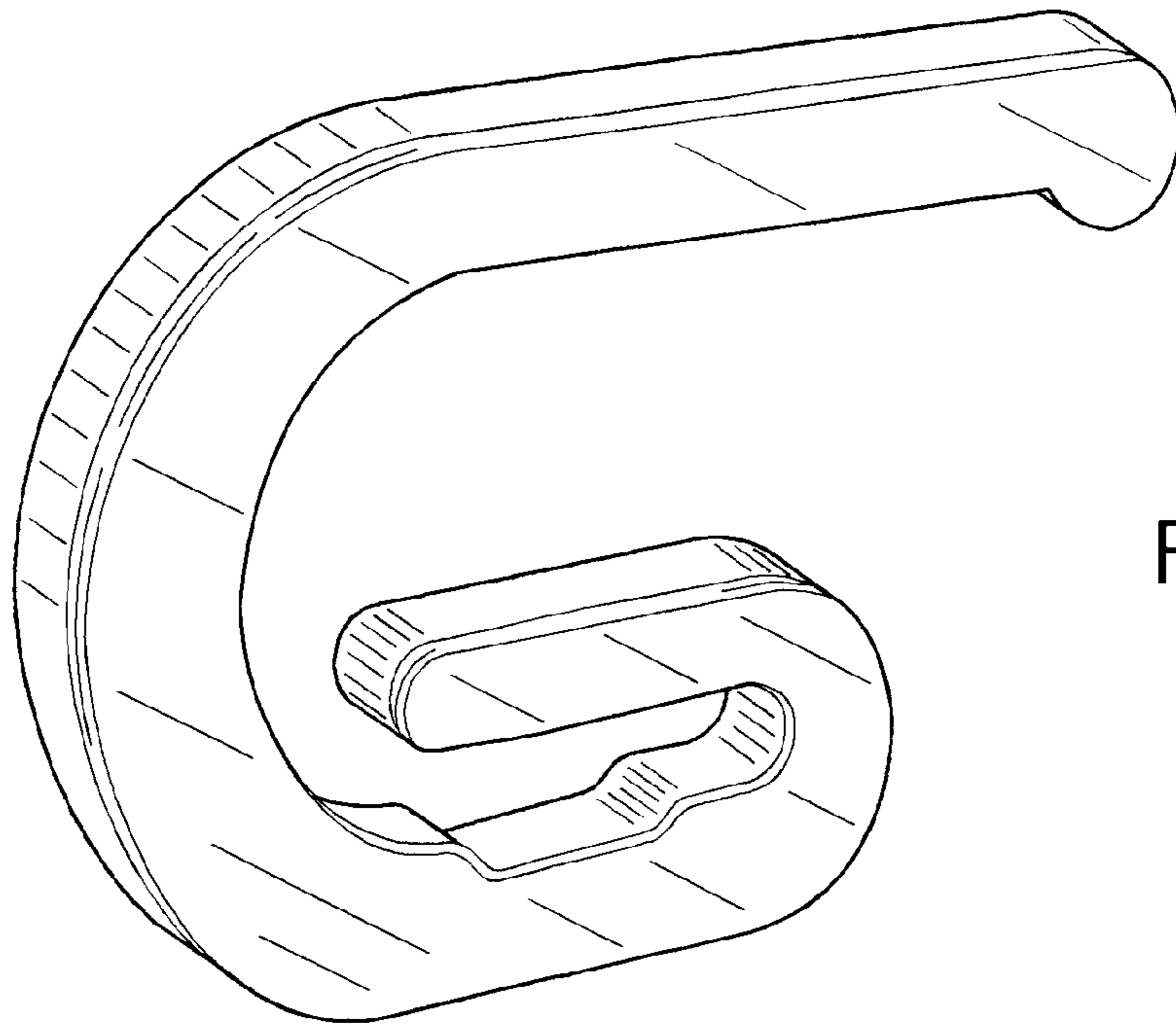


FIG. 1

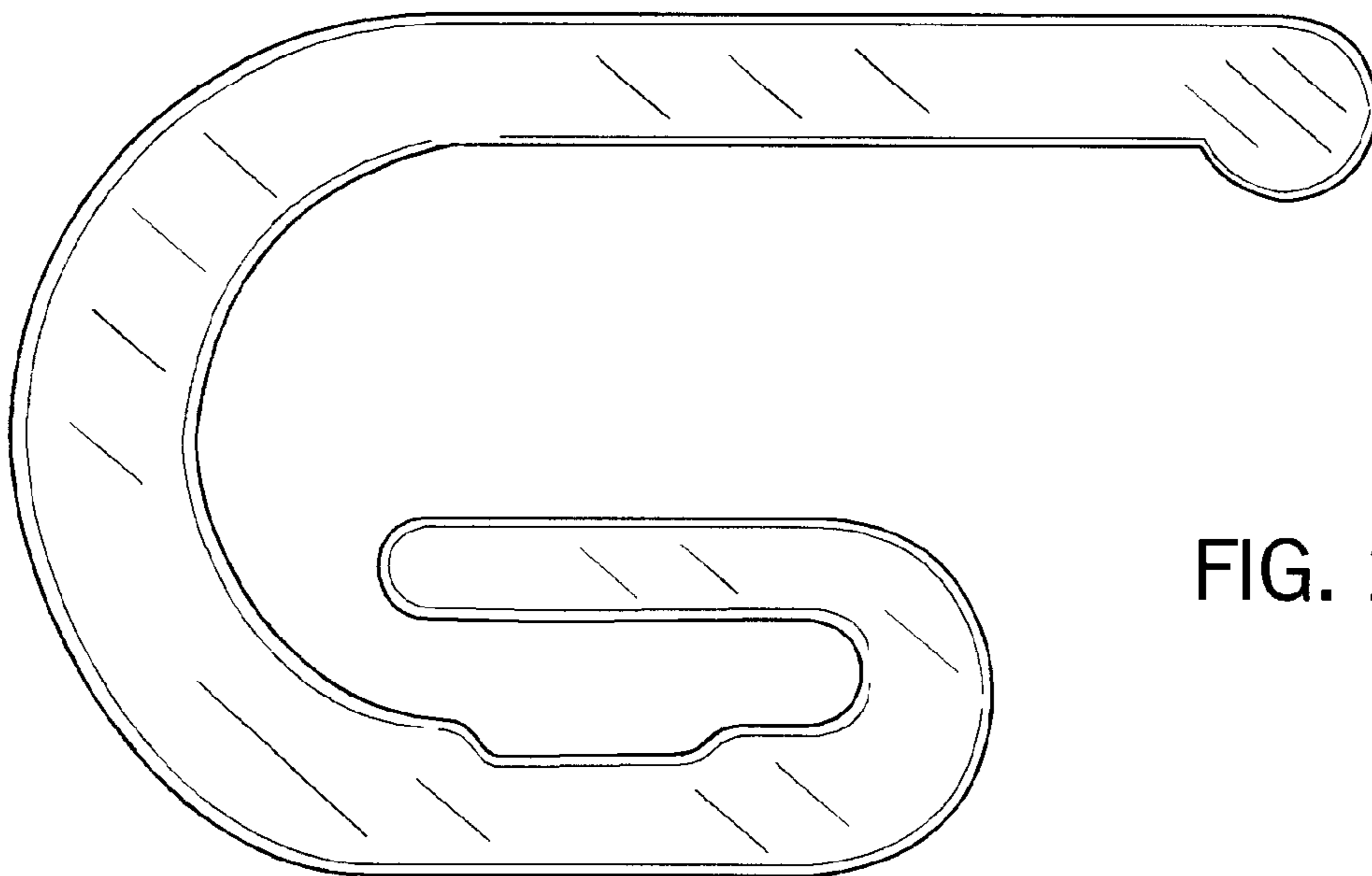


FIG. 2

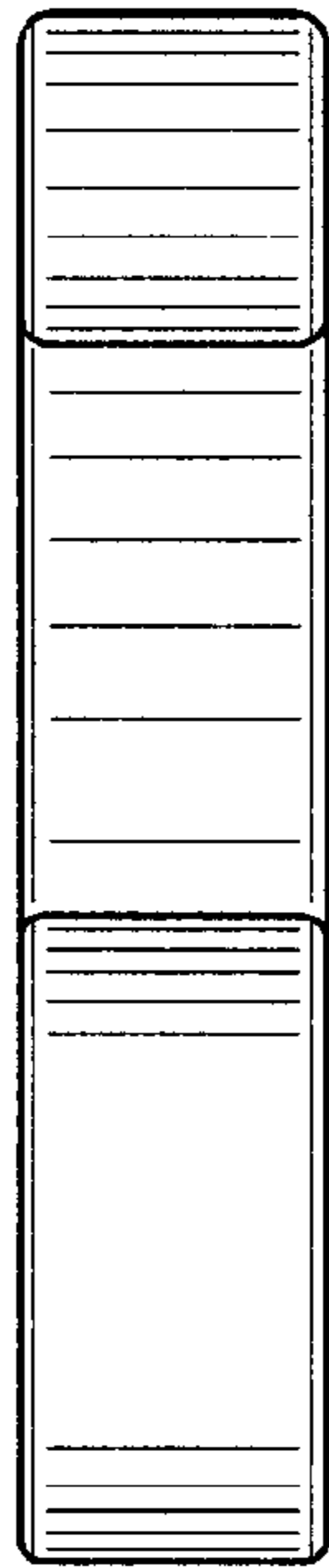


FIG. 3

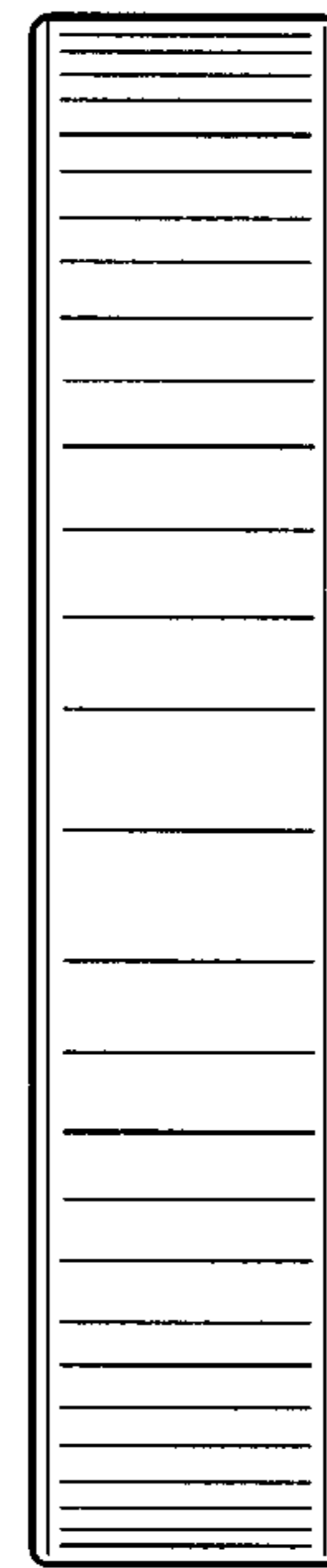


FIG. 4

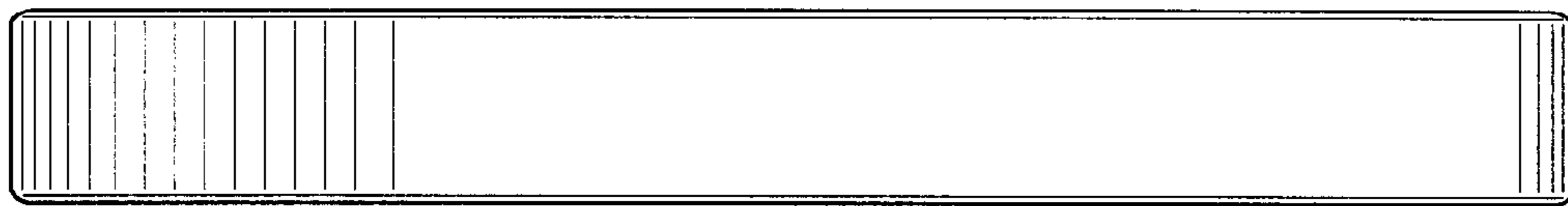


FIG. 5

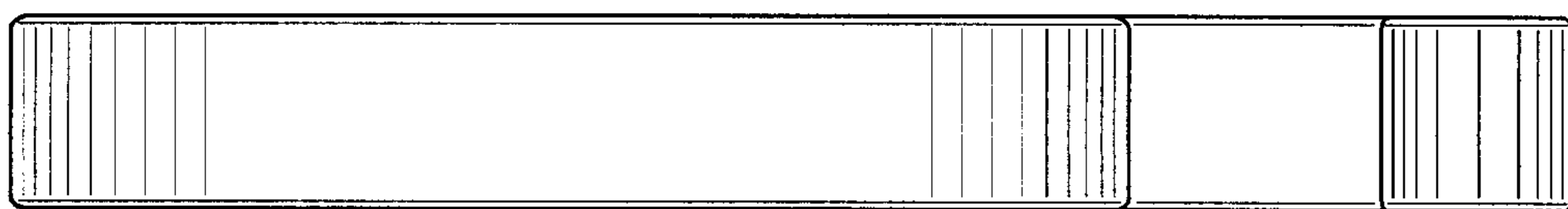


FIG. 6