



US00D520361S

(12) **United States Design Patent**
Crawford et al.

(10) **Patent No.:** **US D520,361 S**

(45) **Date of Patent:** **** May 9, 2006**

(54) **CLOSURE**

D378,803 S * 4/1997 Bolen et al. D9/449
D453,473 S * 2/2002 Del Bianco D9/453

(75) Inventors: **John C. Crawford**, Mahopac, NY
(US); **Bruce Cummings**, New York,
NY (US)

(73) Assignee: **Colgate-Palmolive Company**, New
York, NY (US)

(**) Term: **14 Years**

(21) Appl. No.: **29/226,747**

(22) Filed: **Mar. 31, 2005**

(51) **LOC (8) Cl.** **09-07**

(52) **U.S. Cl.** **D9/453**

(58) **Field of Classification Search** D9/453,
D9/449, 447, 446, 440, 435, 434; D6/542;
D19/66; D24/130; 222/562, 556; 220/288,
220/259.3; 215/237, 235, 230

See application file for complete search history.

(56) **References Cited**

U.S. PATENT DOCUMENTS

D181,629 S * 12/1957 Cochran D9/453

OTHER PUBLICATIONS

6 photos showing bottle closures: Palmolive, Mir, Sun Light,
Pathmark Green Apple, Pathmark Emerald and Shoprite
Ultra So Soft.

* cited by examiner

Primary Examiner—Robert M. Spear

Assistant Examiner—Susan Bennett Hattan

(74) *Attorney, Agent, or Firm*—Harris A. Wolin

(57) **CLAIM**

The ornamental design for a closure, as shown and
described.

DESCRIPTION

FIG. 1 is a perspective view of a closure of my design;

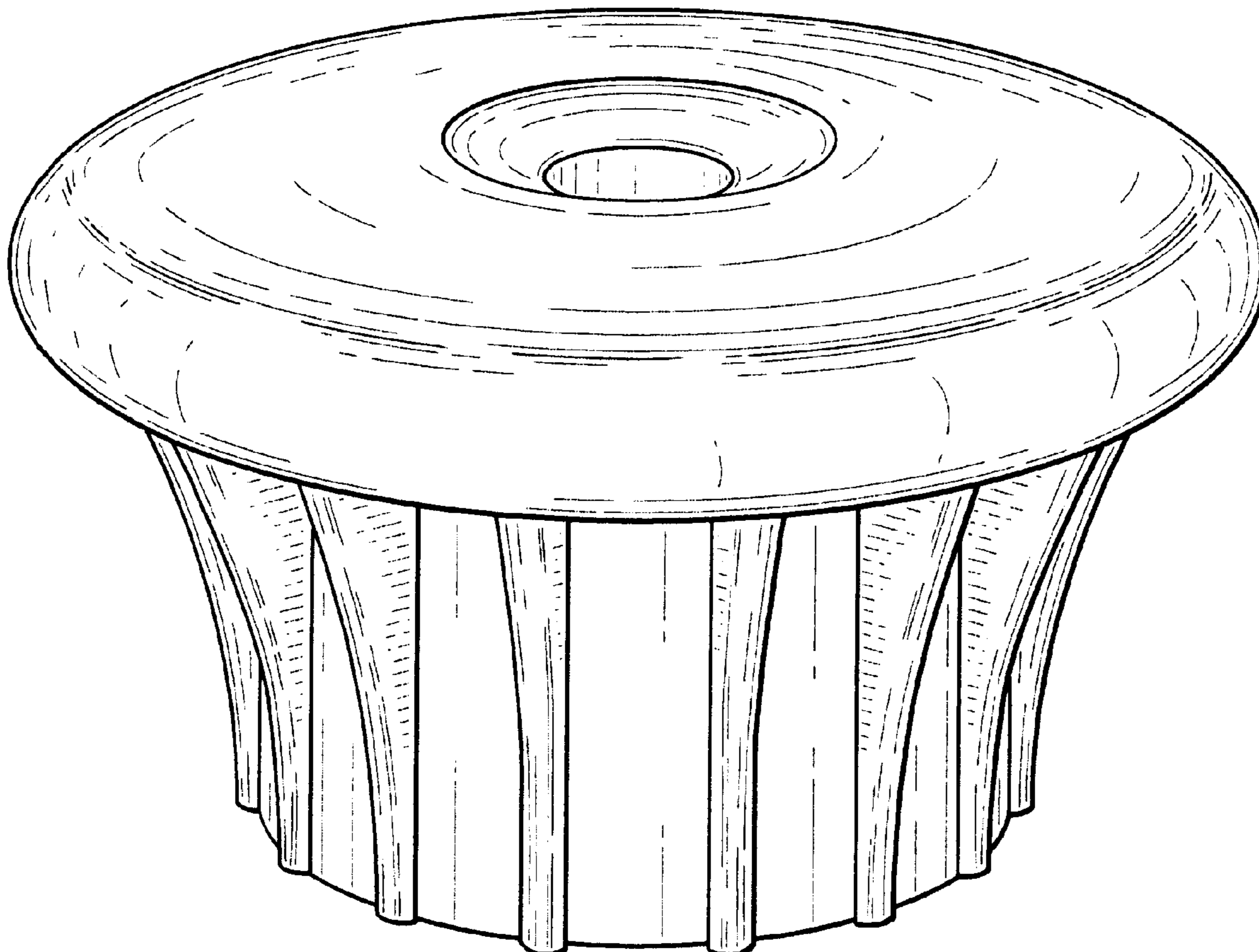
FIG. 2 is a side elevation thereof.

FIG. 3 is a top plan view thereof; and,

FIG. 4 is a bottom plan view thereof.

The area defined by the two annular broken lines forms no
part of the claim.

1 Claim, 4 Drawing Sheets



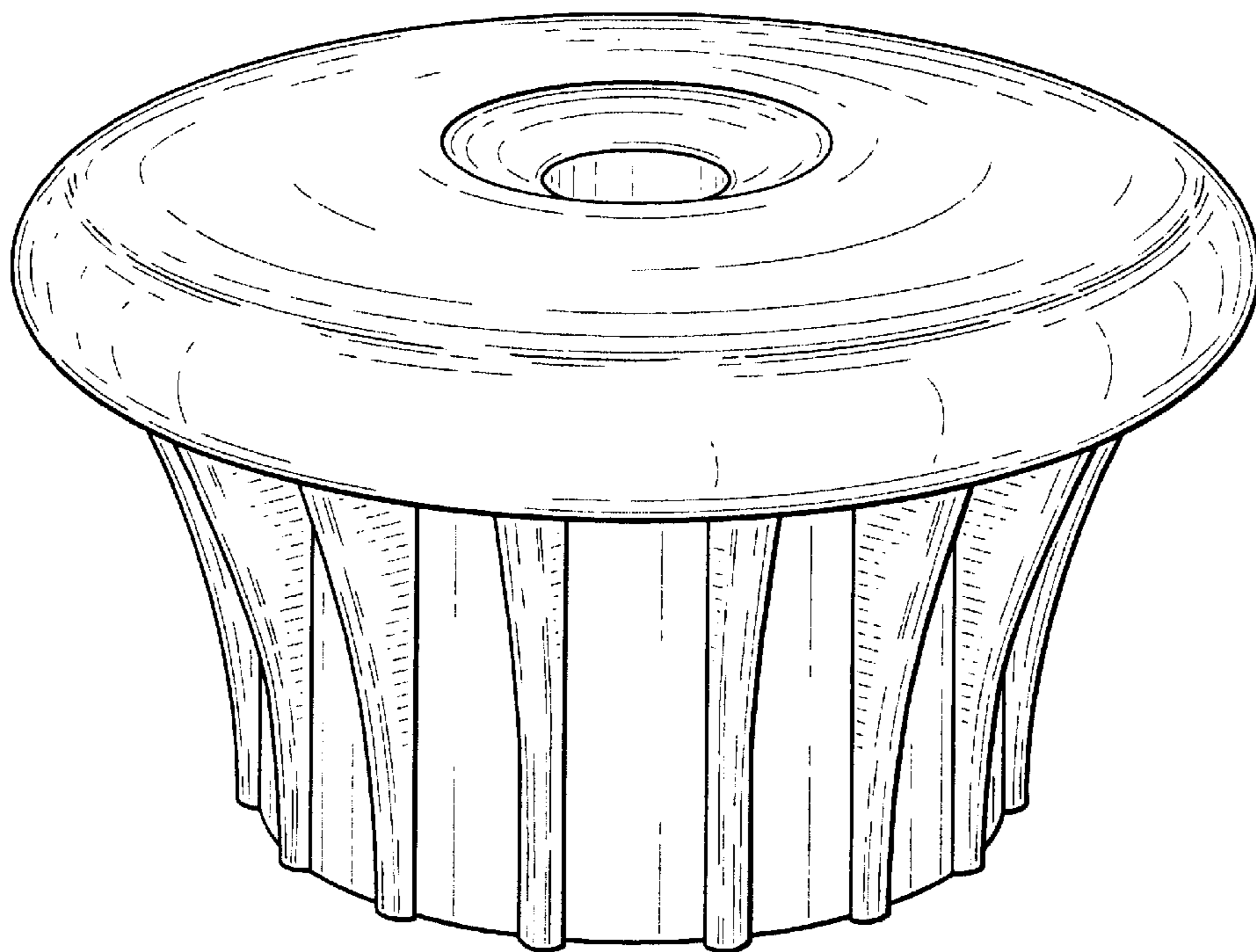


FIG. 1

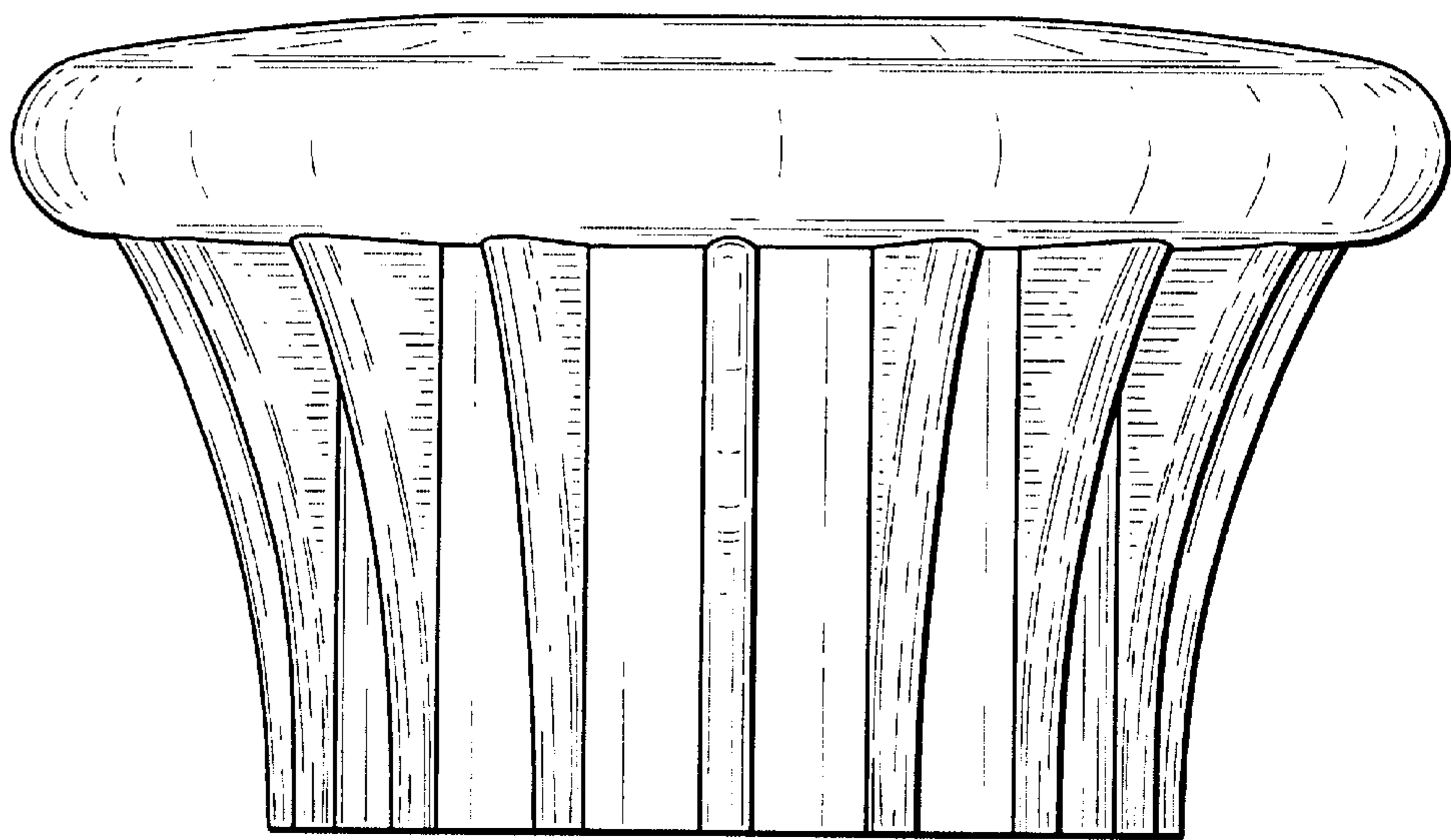


FIG. 2

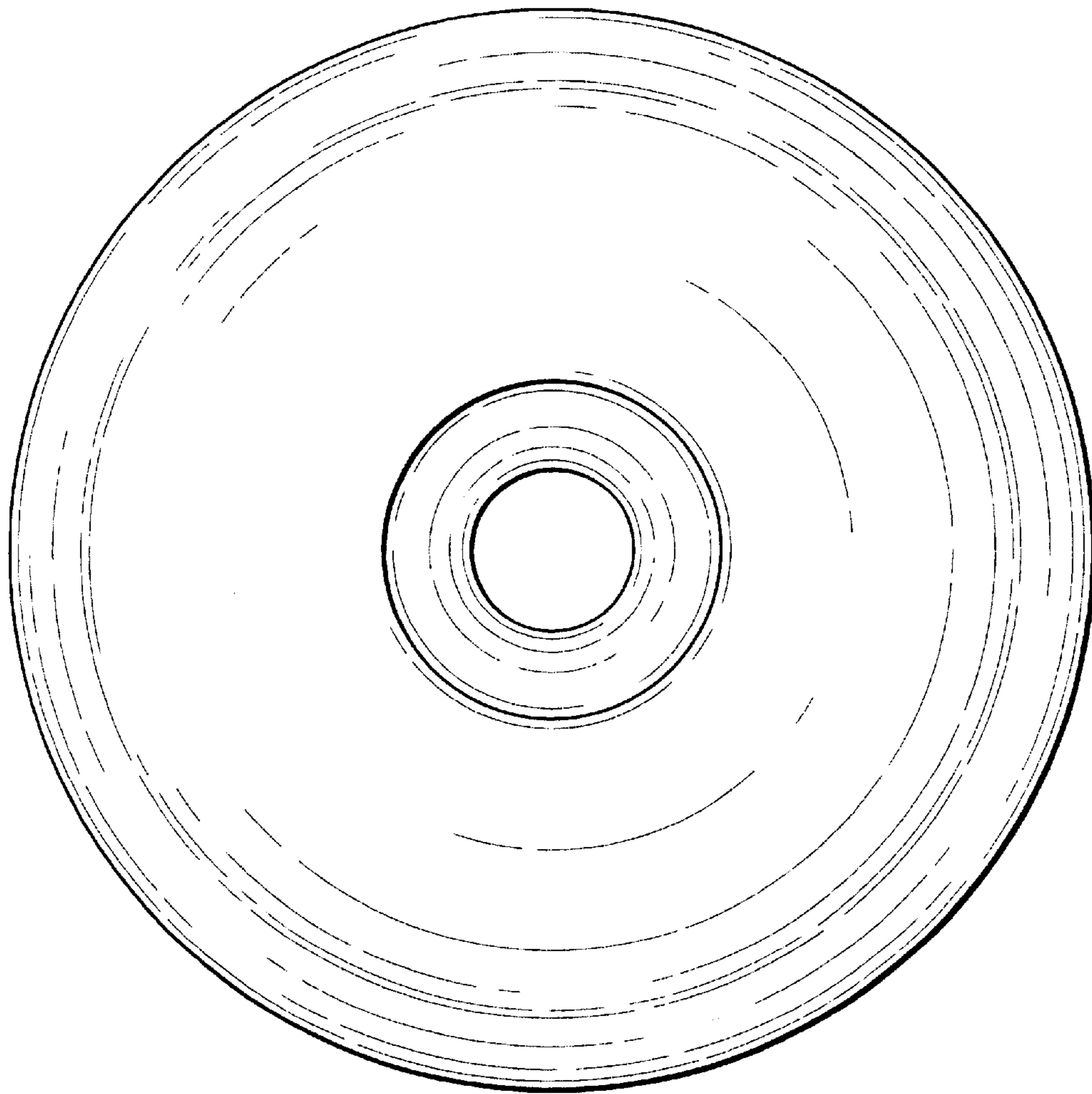


FIG. 3

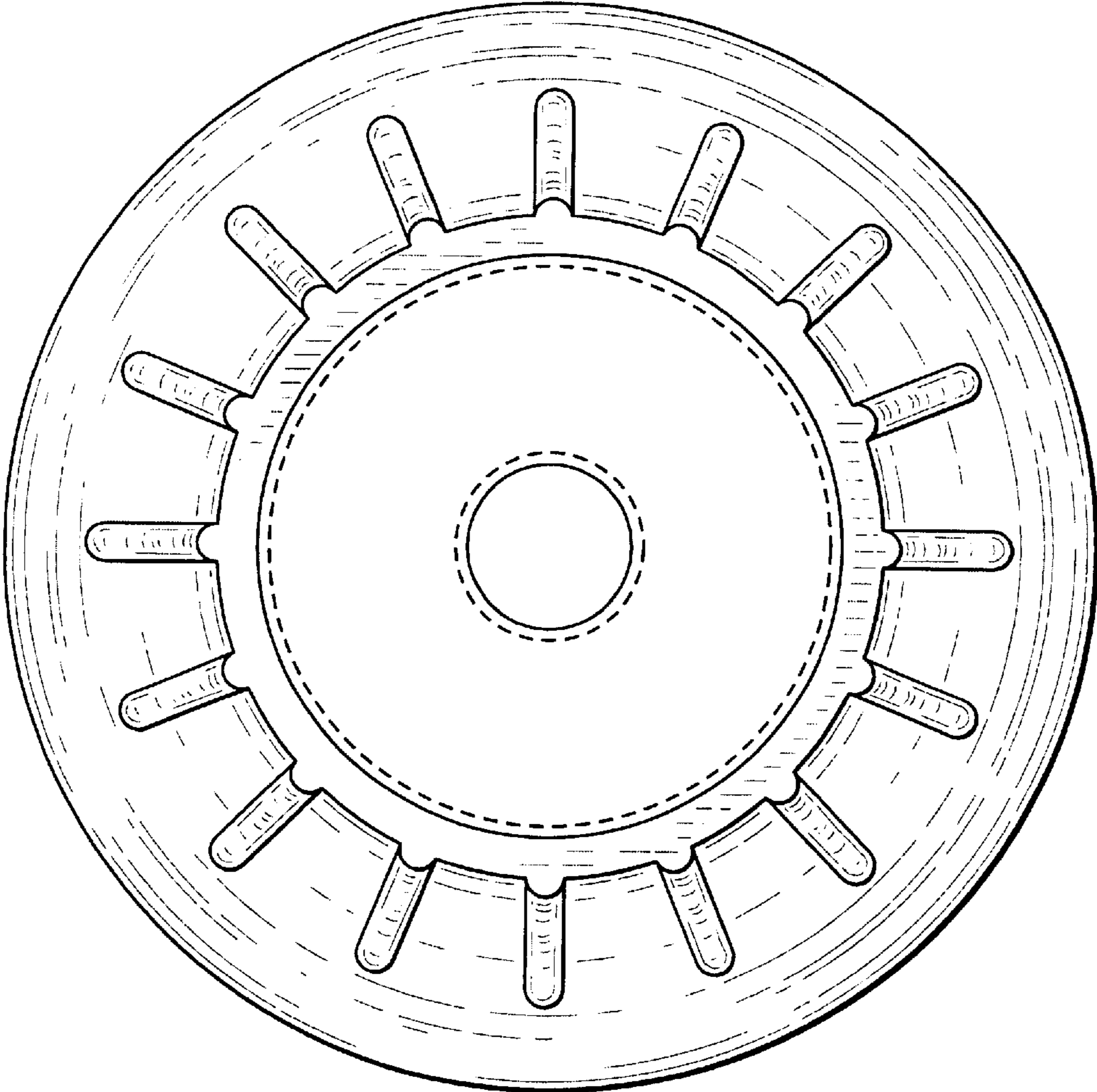


FIG. 4