



US00D520360S

(12) **United States Design Patent**
Radtke et al.

(10) **Patent No.:** **US D520,360 S**

(45) **Date of Patent:** **** May 9, 2006**

(54) **MIST AND SIP HANDPIECE**

(75) Inventors: **Lee Radtke**, Lake Zurich, IL (US);
Eric Junkel, Des Plaines, IL (US)

(73) Assignee: **Squeeze Breeze/Circulair, a div. of GLJ, LLC**, Chicago, IL (US)

(**) Term: **14 Years**

(21) Appl. No.: **29/215,993**

(22) Filed: **Oct. 28, 2004**

(51) **LOC (8) Cl.** **07-09**

(52) **U.S. Cl.** **D9/448**

(58) **Field of Classification Search** D9/685,
D9/682, 448, 447, 434, 663, 423; D23/229,
D23/227, 226, 223, 213; 239/448, 331, 332;
222/385, 383.3, 383.2, 323, 383.1, 324, 304,
222/1, 153.11-14; D7/317

See application file for complete search history.

(56) **References Cited**

U.S. PATENT DOCUMENTS

3,212,686	A	*	10/1965	Di Pierro et al.	D7/317
3,701,478	A		10/1972	Tada	239/333
3,840,157	A		10/1974	Hellenkamp	222/309
4,531,912	A		7/1985	Schuss et al.	433/80
D351,646	S		10/1994	Foster et al.	D23/226
D365,515	S	*	12/1995	Boykin	D9/685

5,553,750	A	*	9/1996	Foster	222/324
D428,811	S	*	8/2000	Spengler	D9/434
6,439,481	B1		8/2002	von Schuckmann	239/333
D475,294	S	*	6/2003	Foster et al.	D9/448
D504,316	S	*	4/2005	Chien	D9/448
D504,816	S	*	5/2005	Chien	D9/448
D504,817	S	*	5/2005	Chien	D9/448

* cited by examiner

Primary Examiner—Robert M. Spear

Assistant Examiner—Susan Bennett Hattan

(74) *Attorney, Agent, or Firm*—Gifford, Krass, Groh Sprinkle, Anderson & Citkowski, P.C.

(57) **CLAIM**

We claim the ornamental design for a mist and sip handpiece, as shown and described.

DESCRIPTION

FIG. 1 is a perspective view of the mist and sip handpiece according to a first preferred embodiment of the present design;

FIG. 2 is a right side view of the present design, a corresponding left side view being a mirror image thereof;

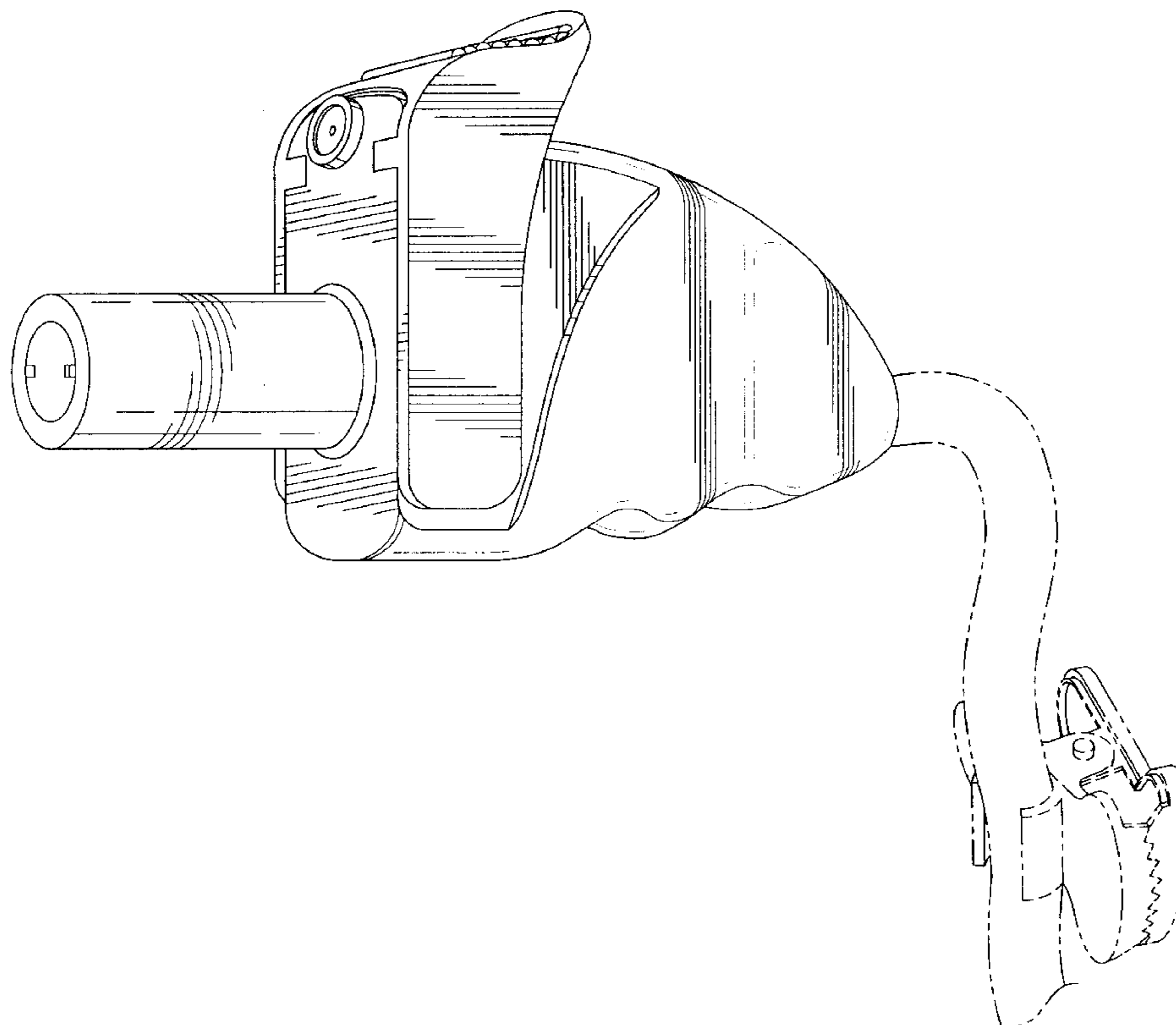
FIG. 3 is a bottom view of the present design;

FIG. 4 is a top view of the present design; and,

FIG. 5 is a front view of the present design.

The broken lines in the drawing are for illustrative purposes only and form no part of the claimed design.

1 Claim, 2 Drawing Sheets



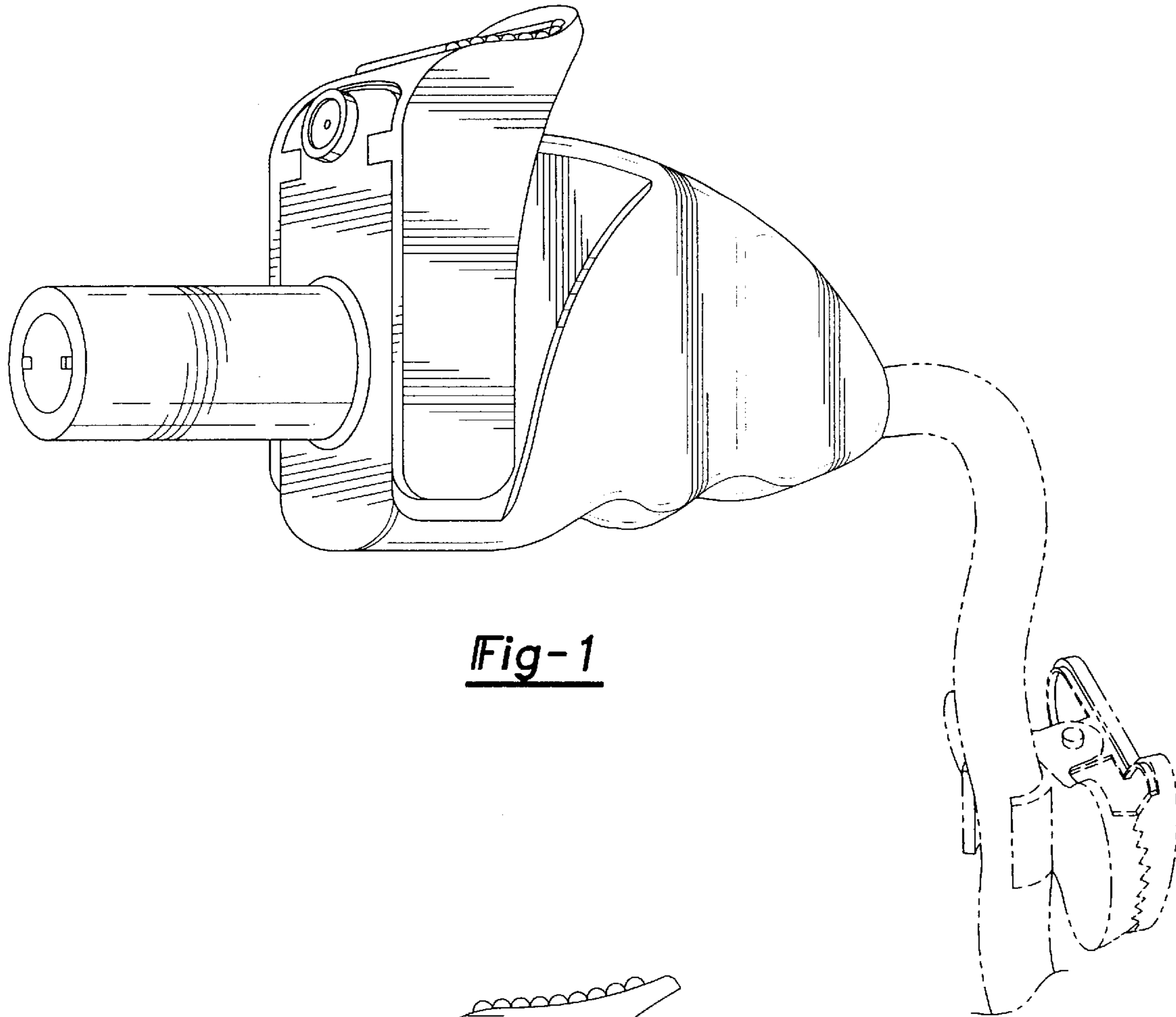


Fig-1

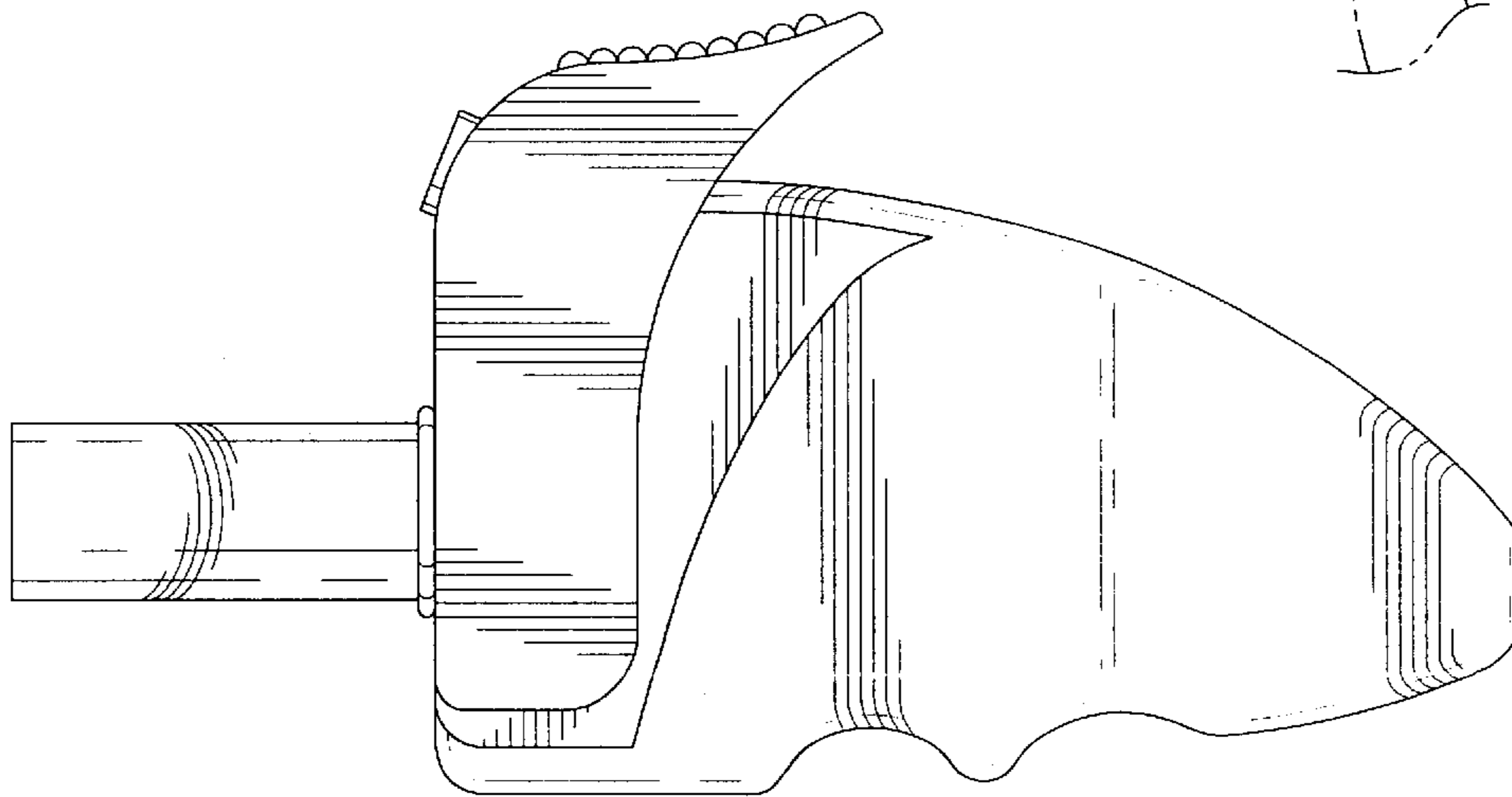


Fig-2

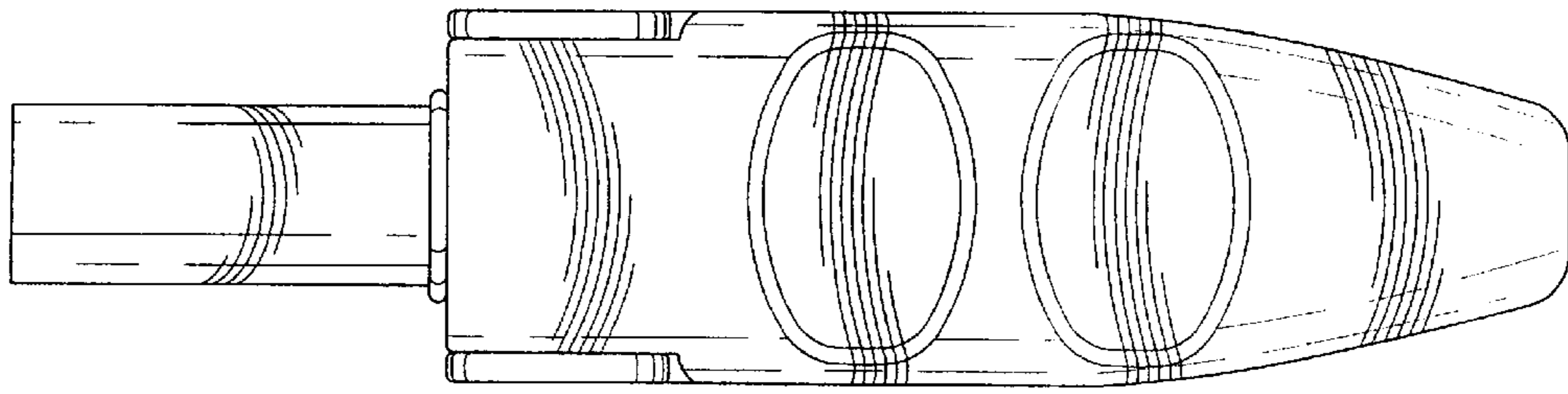


Fig-3

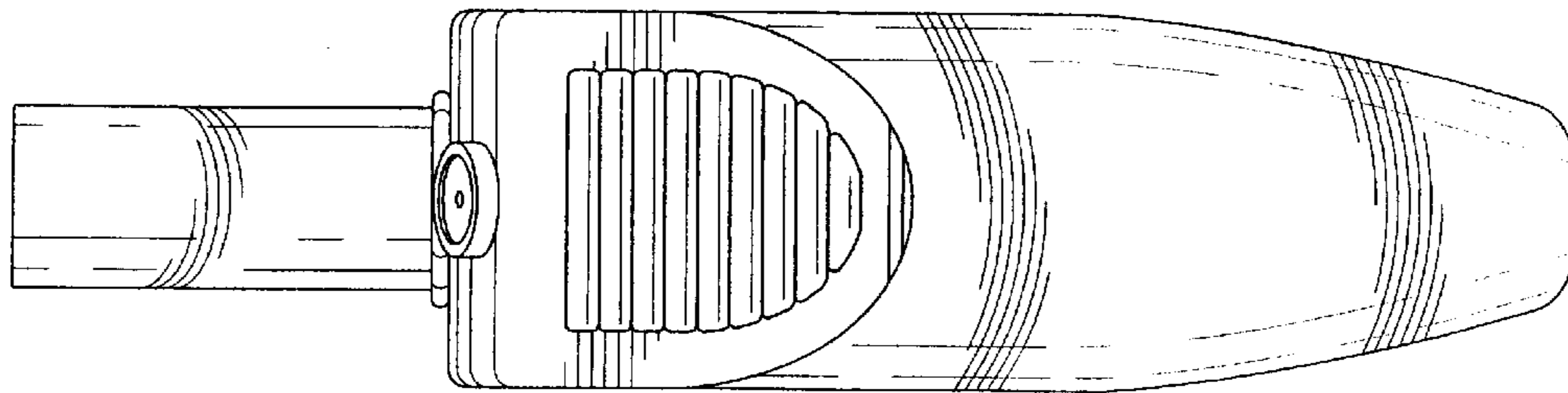


Fig-4

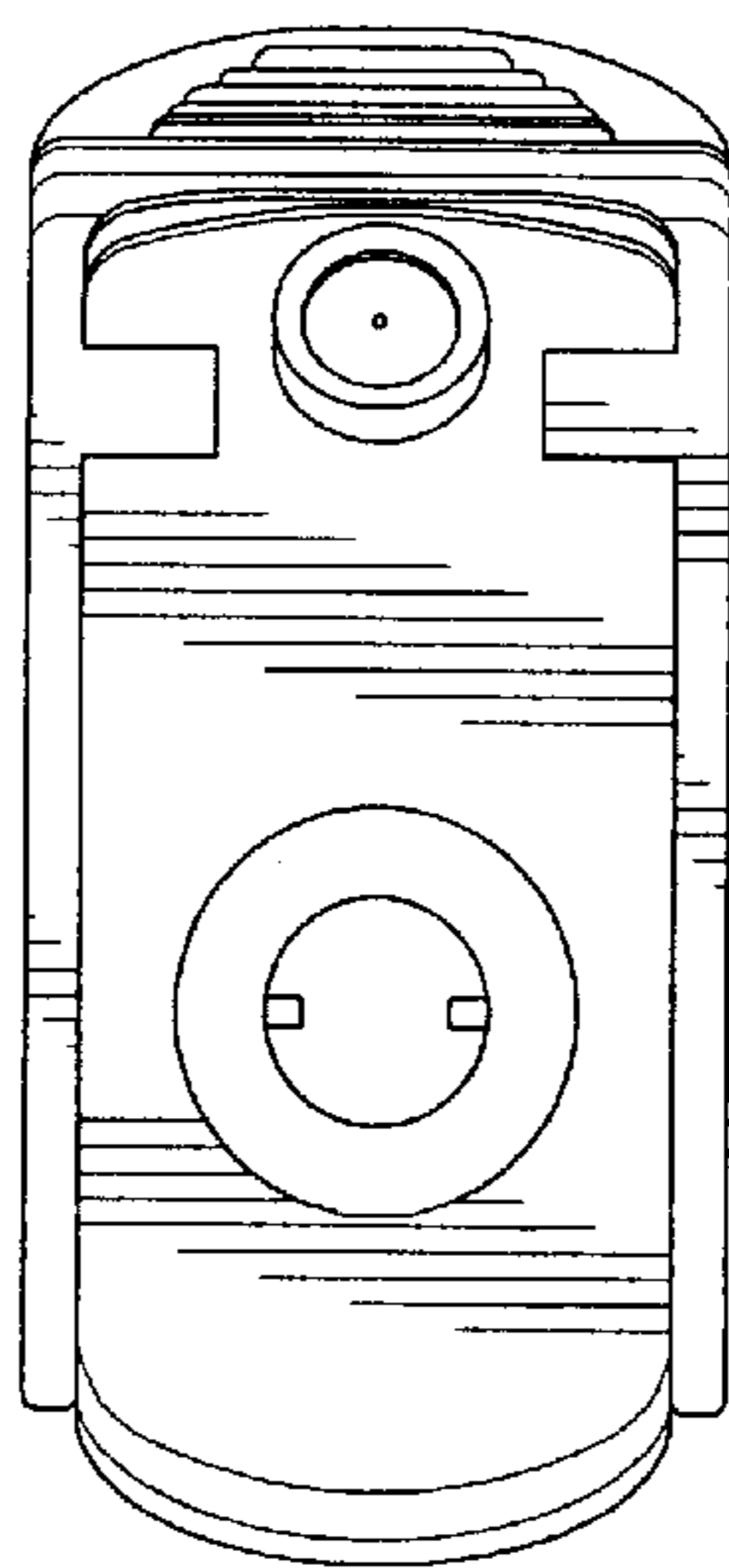


Fig-5