



US00D520356S

(12) **United States Design Patent**
Kellar et al.

(10) **Patent No.:** **US D520,356 S**

(45) **Date of Patent:** **** May 9, 2006**

(54) **PACKAGE**

(75) Inventors: **David S. Kellar**, Corvallis, OR (US);
Jeremy B. Crystal, Corvallis, OR (US);
Timothy J. Hopfer, Albany, OR (US);
Peter M. Matthews, New York, NY
(US); **George N. Hackleman**, Adair
Village, OR (US); **Deirdre M.**
Sharkey, Corvallis, OR (US)

(73) Assignee: **Hewlett-Packard Development
Company, L.P.**, Houston, TX (US)

(**) Term: **14 Years**

(21) Appl. No.: **29/225,106**

(22) Filed: **Mar. 11, 2005**

(51) **LOC (8) Cl.** **09-07**

(52) **U.S. Cl.** **D9/415**

(58) **Field of Classification Search** D9/415,
D9/418, 737, 759, 457; 206/461-471, 495,
206/806, 801, 703

See application file for complete search history.

(56) **References Cited**

U.S. PATENT DOCUMENTS

3,861,528 A * 1/1975 Damuth 206/463
4,702,368 A * 10/1987 Jones 206/45.24

D327,426 S * 6/1992 Karita et al. D9/415
5,244,092 A * 9/1993 Karita et al. 206/462
D416,483 S * 11/1999 Manley et al. D9/415
D423,926 S * 5/2000 Kellar et al. D9/415
6,079,561 A * 6/2000 Burkard 206/461
D433,937 S * 11/2000 Glassman D9/415
D463,978 S * 10/2002 DiMartino D9/415
D469,686 S * 2/2003 Yang D9/415

* cited by examiner

Primary Examiner—Prabhakar Deshmukh

(57) **CLAIM**

We claim the ornamental design for a package, as shown and described.

DESCRIPTION

FIG. 1 is a perspective view of a package showing our new design.

FIG. 2 is a left side elevational view thereof;

FIG. 3 is a right side elevational view thereof;

FIG. 4 is a top plan view thereof;

FIG. 5 is a front elevational view thereof;

FIG. 6 is a rear elevational view thereof; and,

FIG. 7 is a bottom plan view thereof.

The broken lines are for illustrative purpose only and form no part of the claimed design.

1 Claim, 3 Drawing Sheets

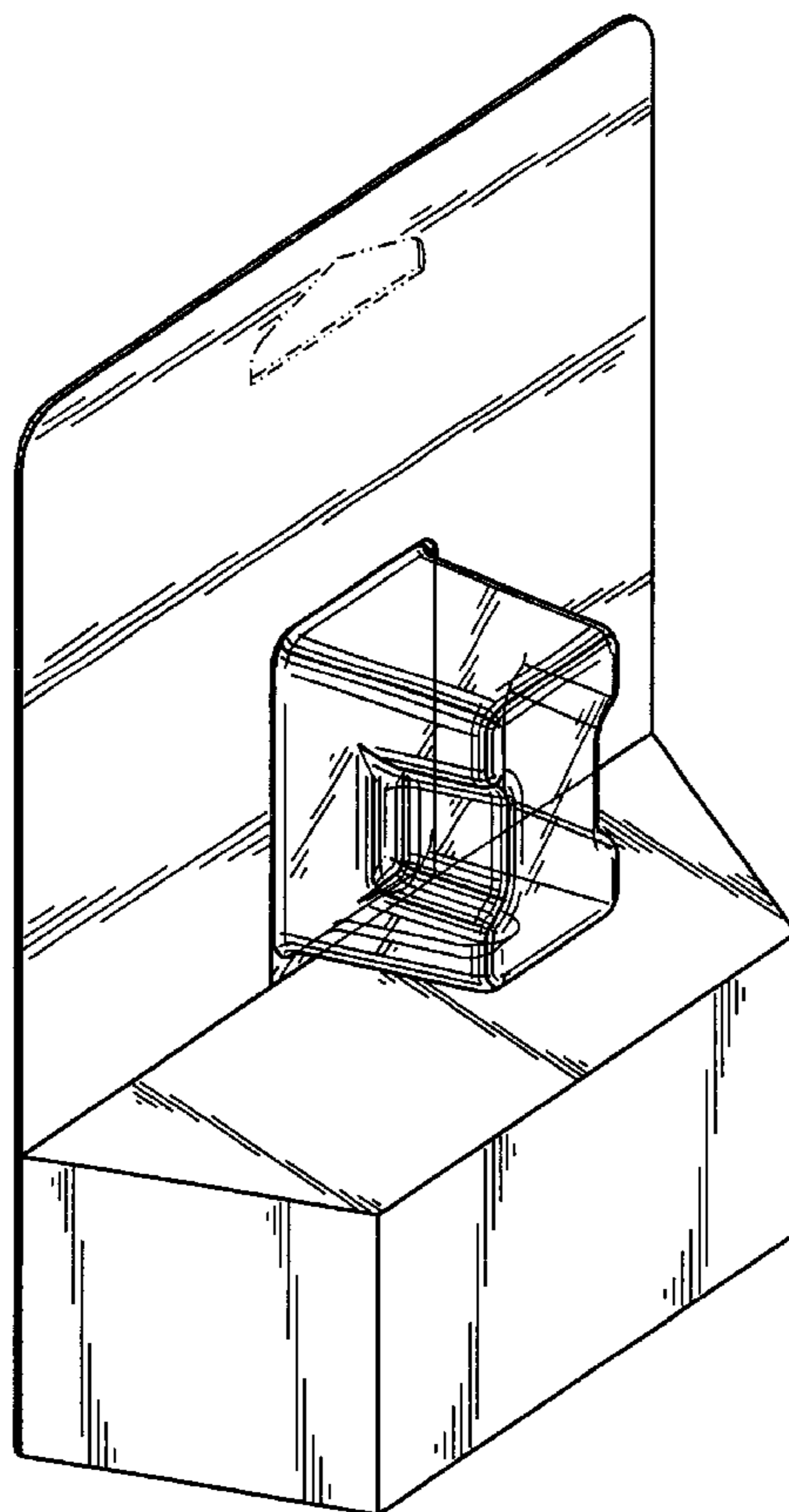


FIG. 1

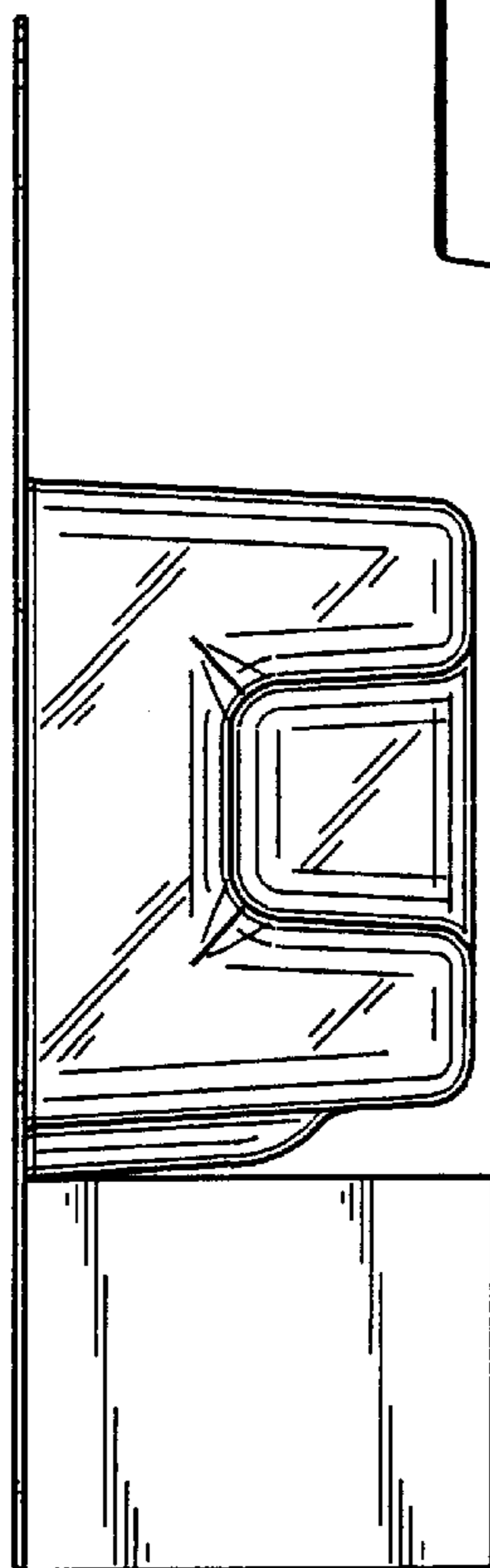
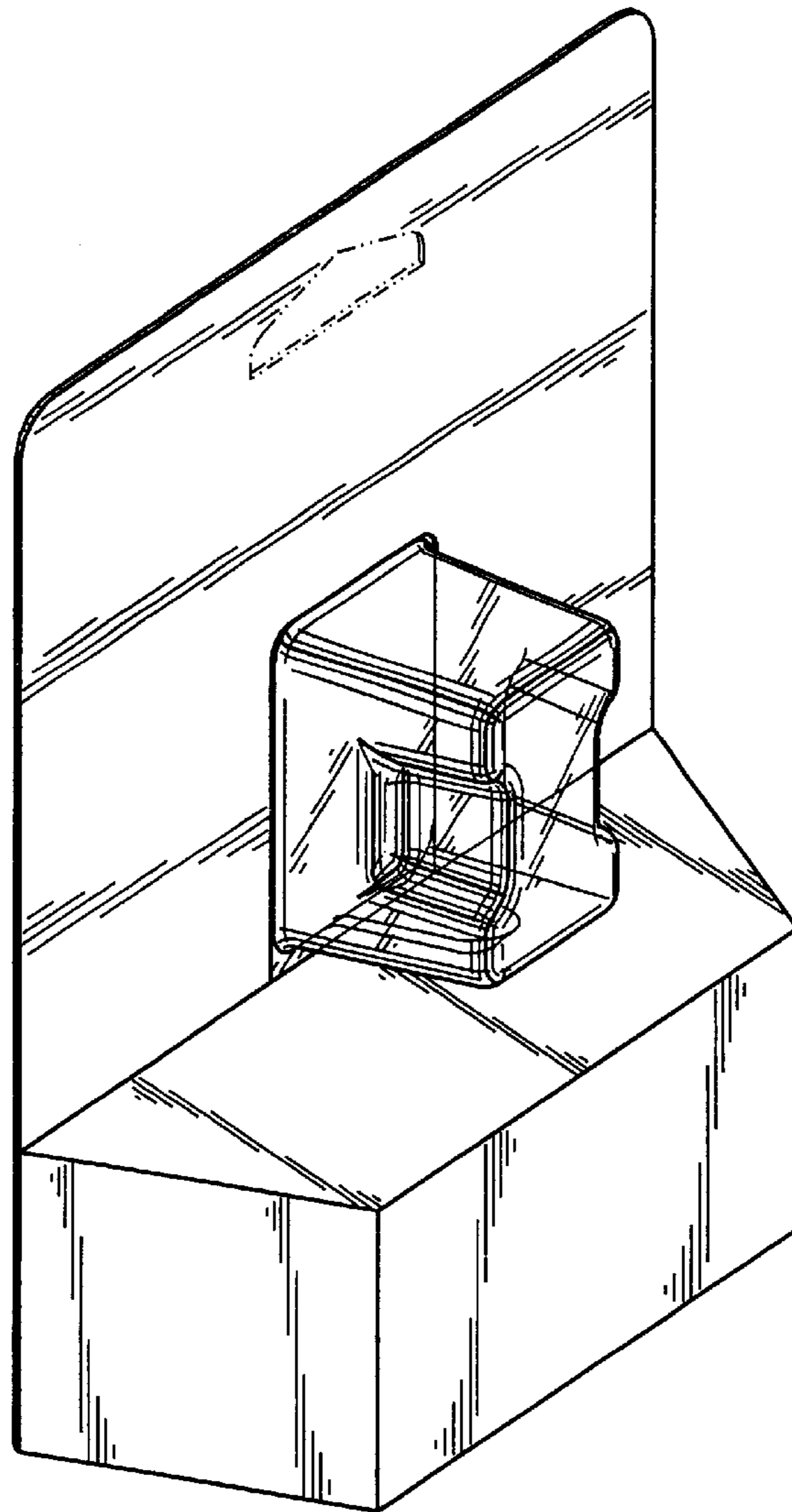


FIG. 3

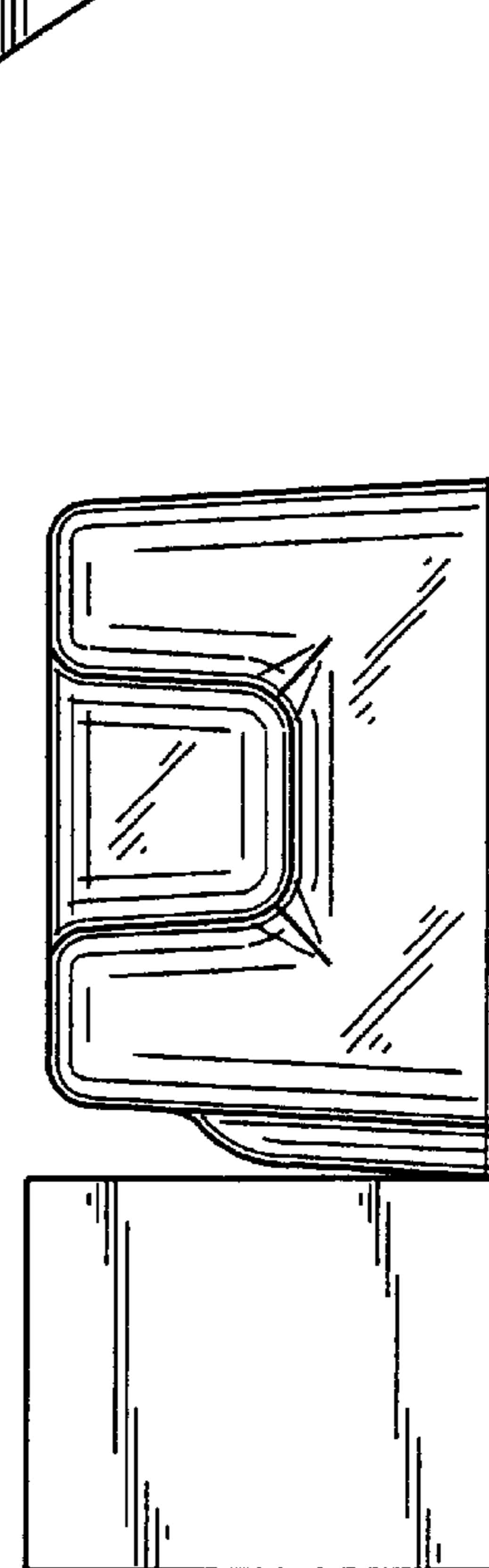


FIG. 2

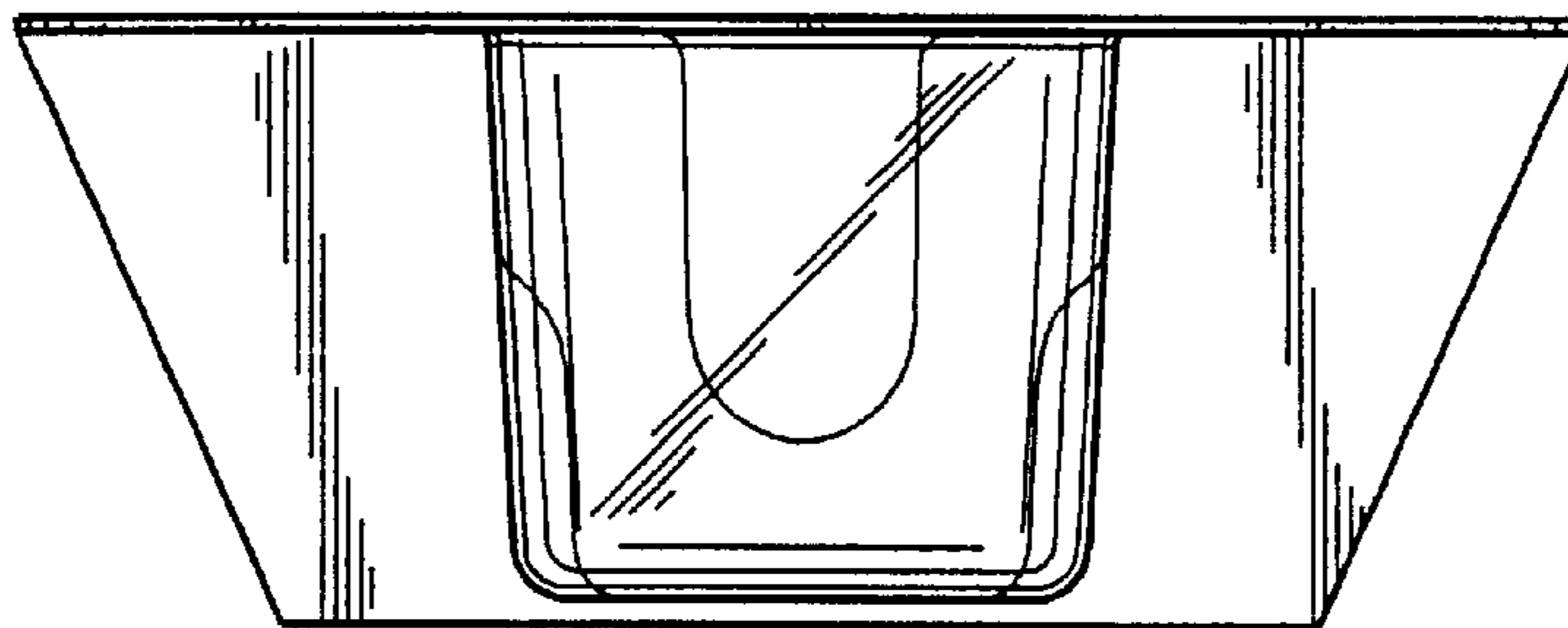


FIG. 4

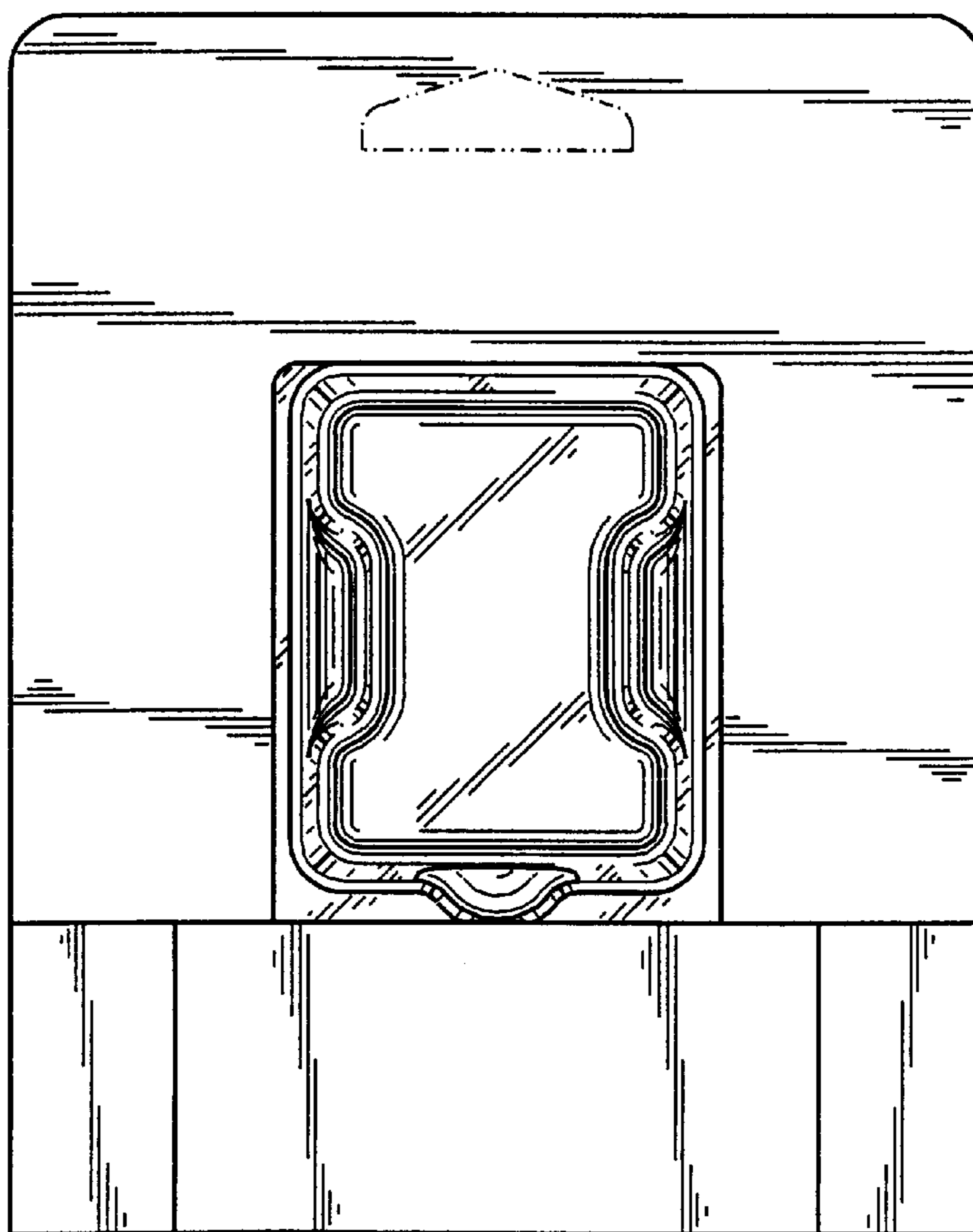


FIG. 5

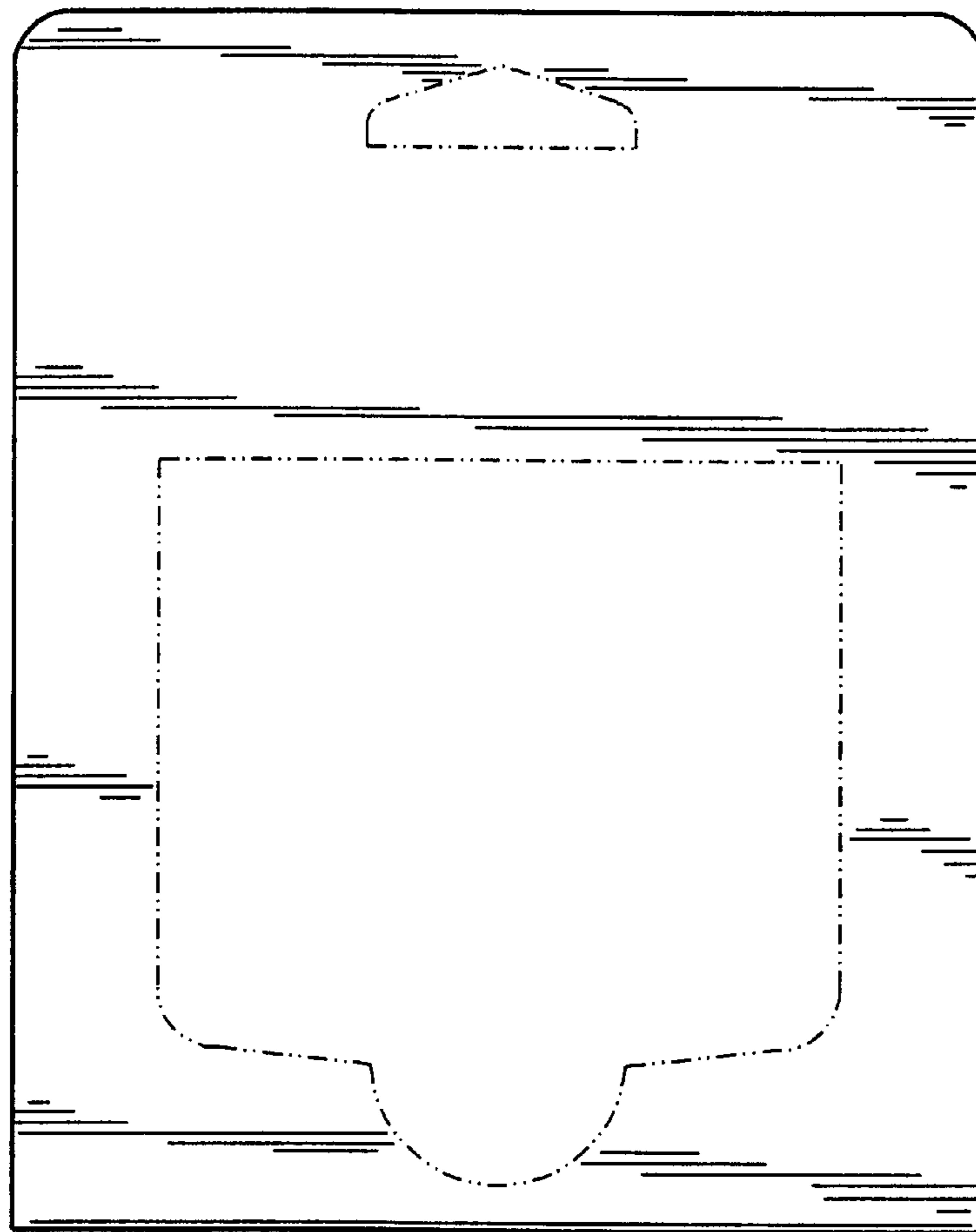


FIG. 6

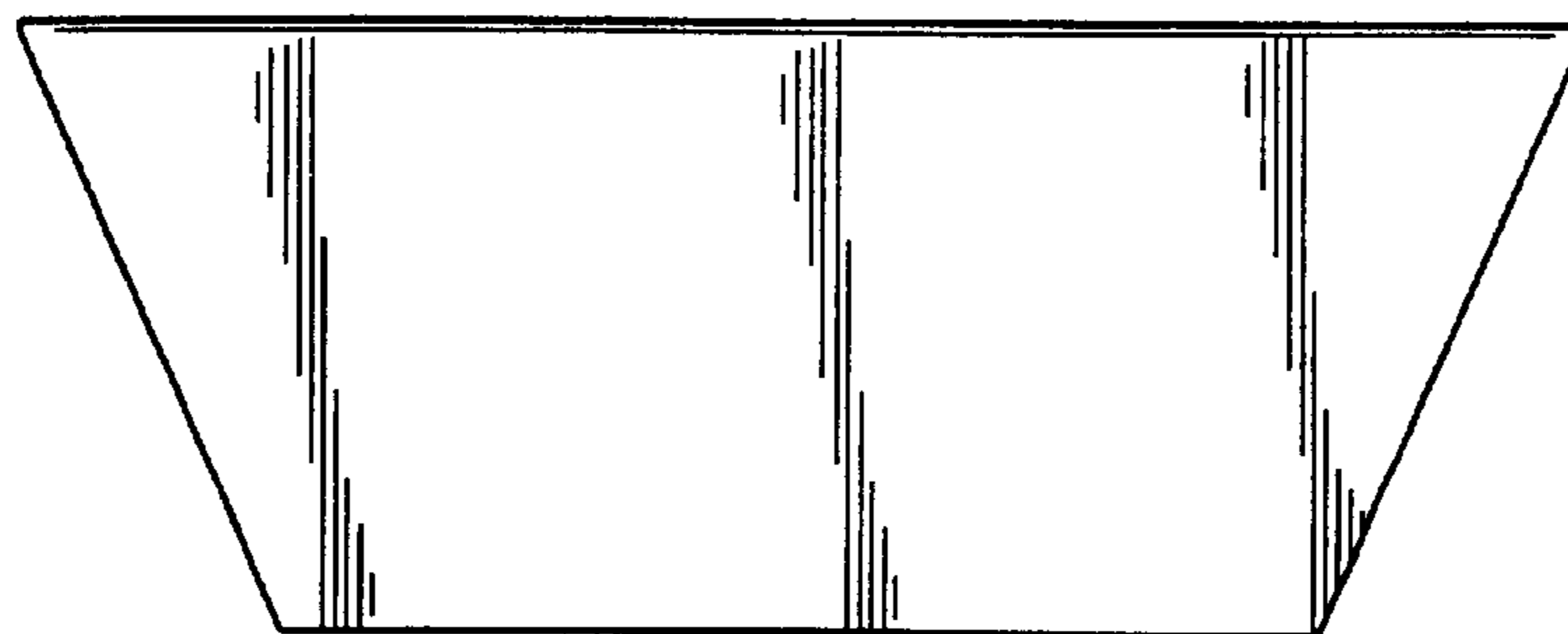


FIG. 7