



US00D520353S

(12) **United States Design Patent**
Mariano et al.

(10) **Patent No.:** **US D520,353 S**

(45) **Date of Patent:** **** May 9, 2006**

(54) **CLIP**

(75) Inventors: **Dino Mariano**, Pittsburgh, PA (US);
Gregoire Aby-Eva, Pittsburgh, PA
(US); **Lisa Yanz**, Rochester, PA (US)

(73) Assignee: **Helen of Troy Limited**, Bridgetown
(BB)

(**) **Term:** **14 Years**

(21) Appl. No.: **29/201,625**

(22) Filed: **Mar. 18, 2004**

(51) **LOC (8) Cl.** **08-08**

(52) **U.S. Cl.** **D8/395**

(58) **Field of Classification Search** D8/356,
D8/371, 394-396, 499, 53, 100, 365; D12/51;
D19/65, 90; D28/39, 40, 42; 24/546, 563,
24/327, 334, DIG. 8, DIG. 9, DIG. 13, DIG. 28;
248/74.2, 300, 301, 316.7, 229.26

See application file for complete search history.

(56) **References Cited**

U.S. PATENT DOCUMENTS

1,420,654 A * 6/1922 Grant 248/317

D325,047 S * 3/1992 Chou D19/65
D342,890 S * 1/1994 Ramierz D8/395
D468,356 S * 1/2003 Snell D19/65
D498,497 S * 11/2004 Lo D19/65

* cited by examiner

Primary Examiner—Louis S. Zarfes

Assistant Examiner—John Windmuller

(74) *Attorney, Agent, or Firm*—Seyfarth Shaw LLP

(57) **CLAIM**

The ornamental design for the clip, as shown and described.

DESCRIPTION

FIG. 1 is a top perspective view of a clip showing our new design;

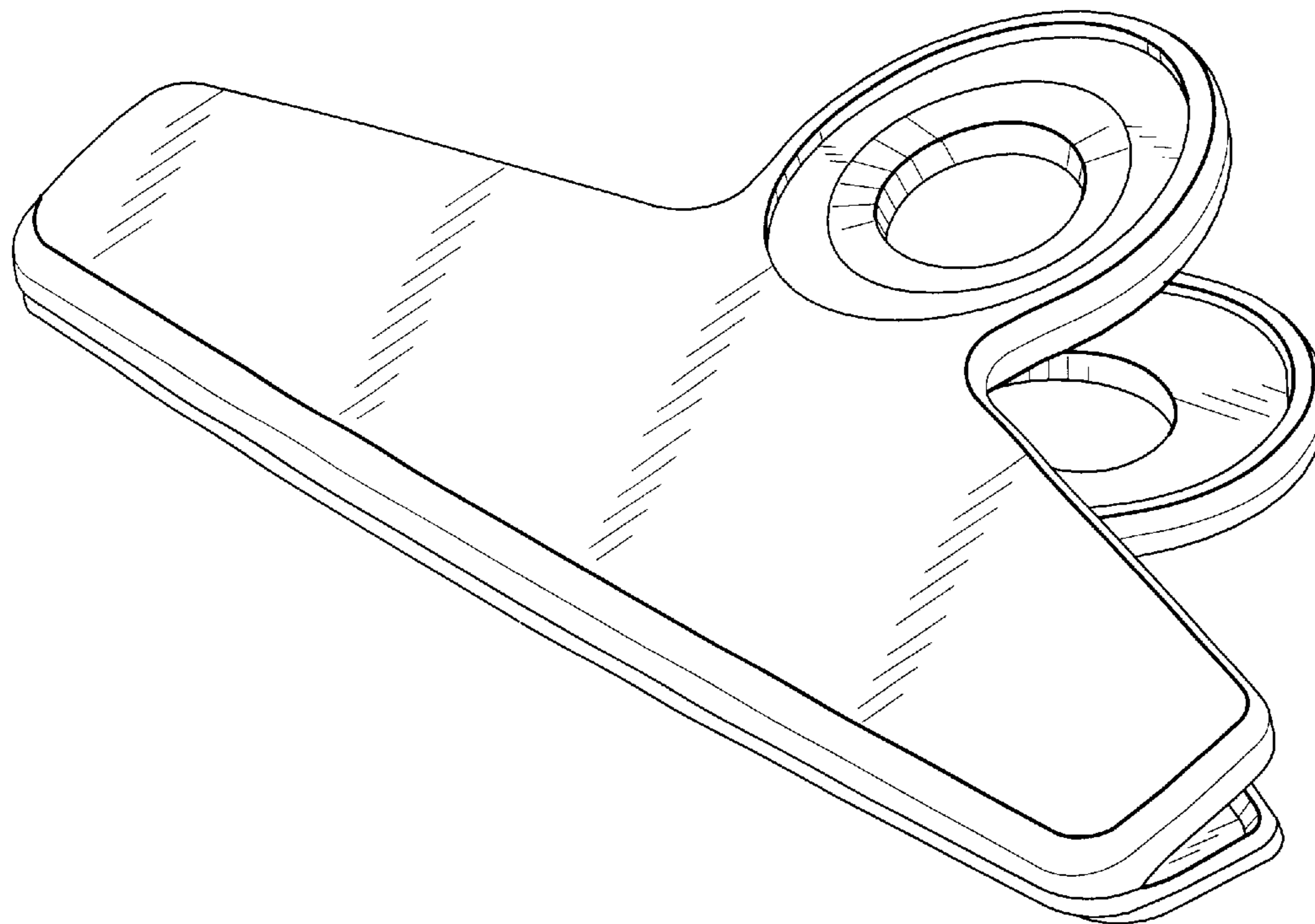
FIG. 2 is a top plan view thereof, the bottom plan view being substantially identical;

FIG. 3 is a left side elevational view thereof, the right side elevational view being a mirror image;

FIG. 4 is a front elevational view thereof; and,

FIG. 5 is a rear elevational view thereof.

1 Claim, 2 Drawing Sheets



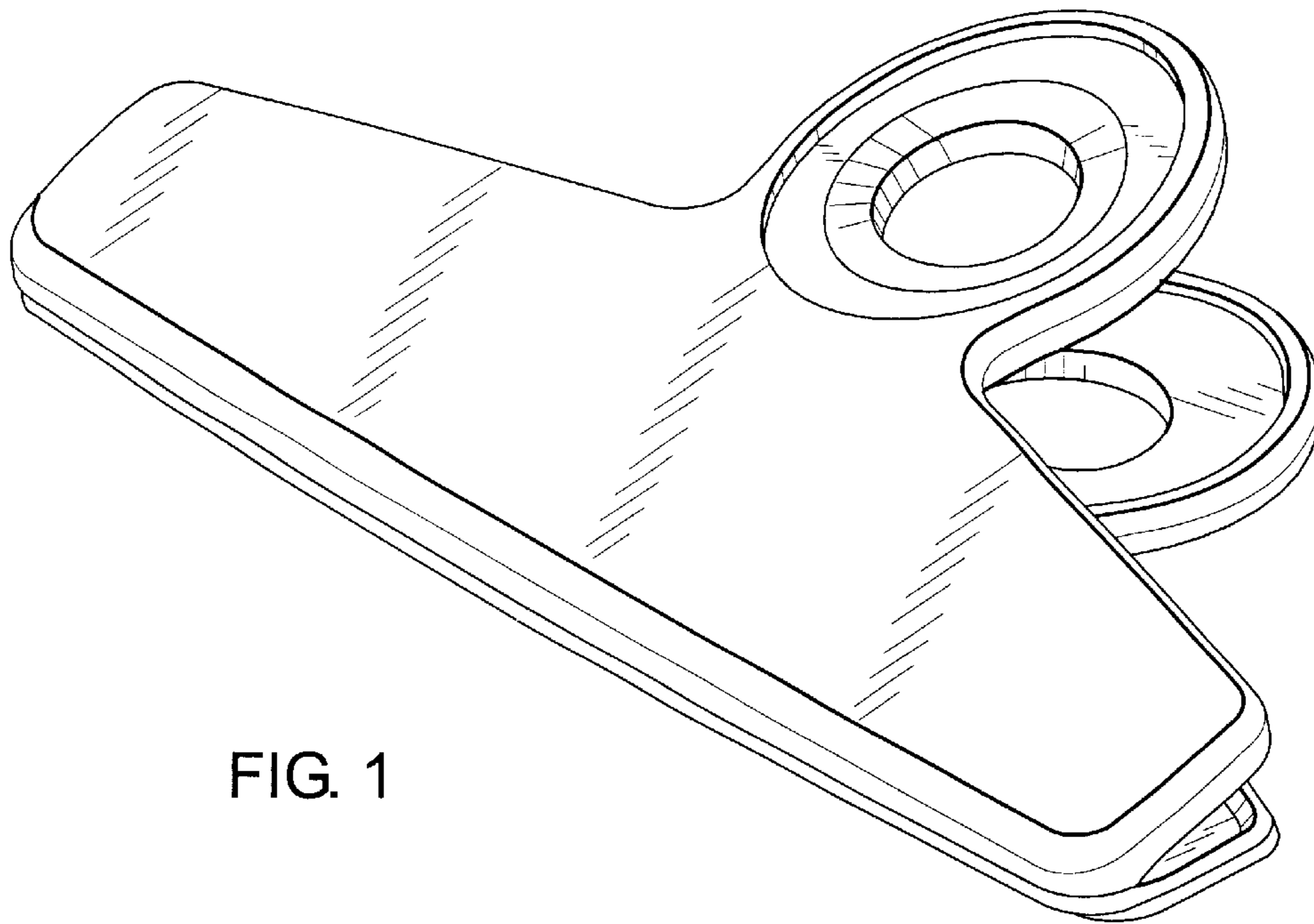


FIG. 1

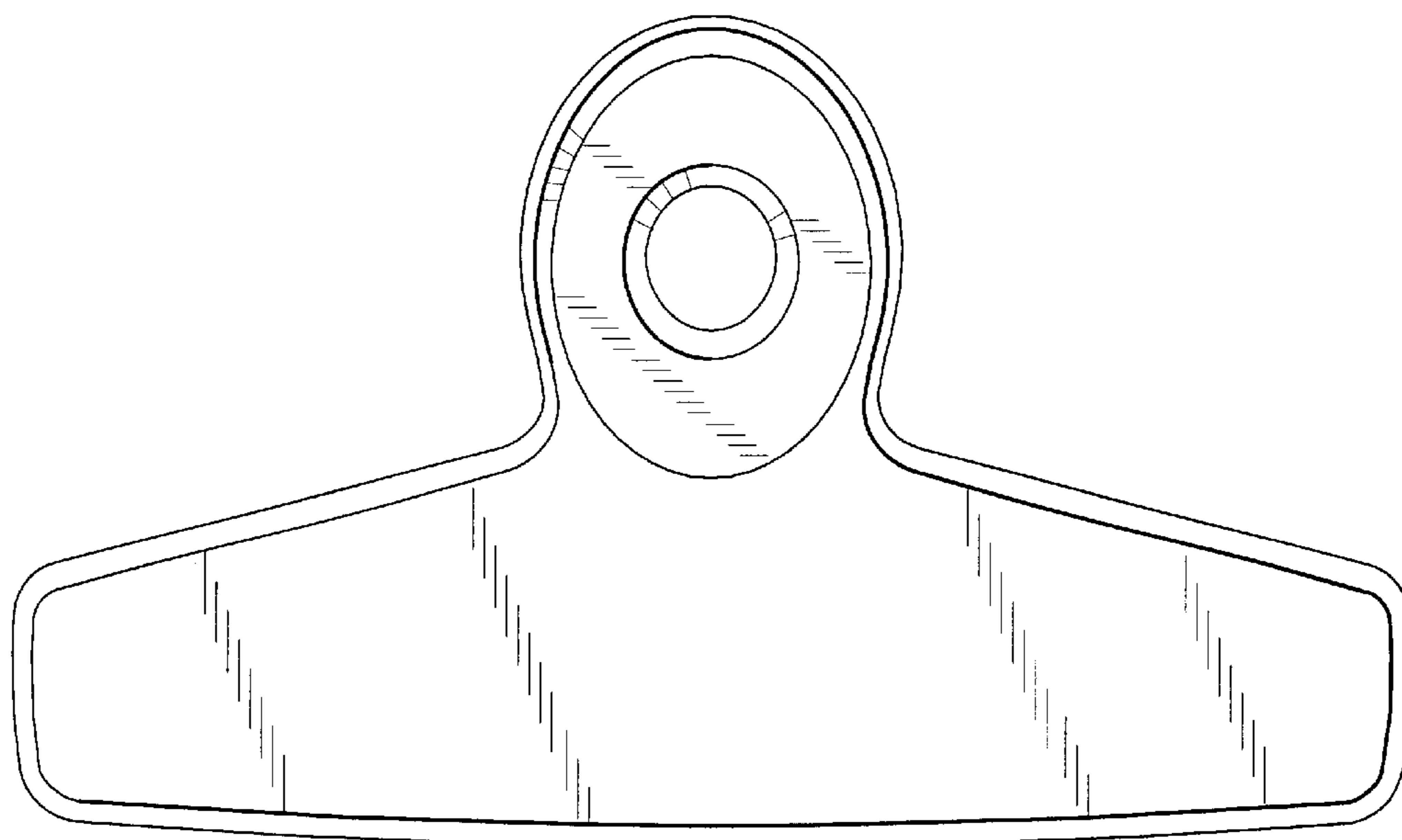


FIG. 2

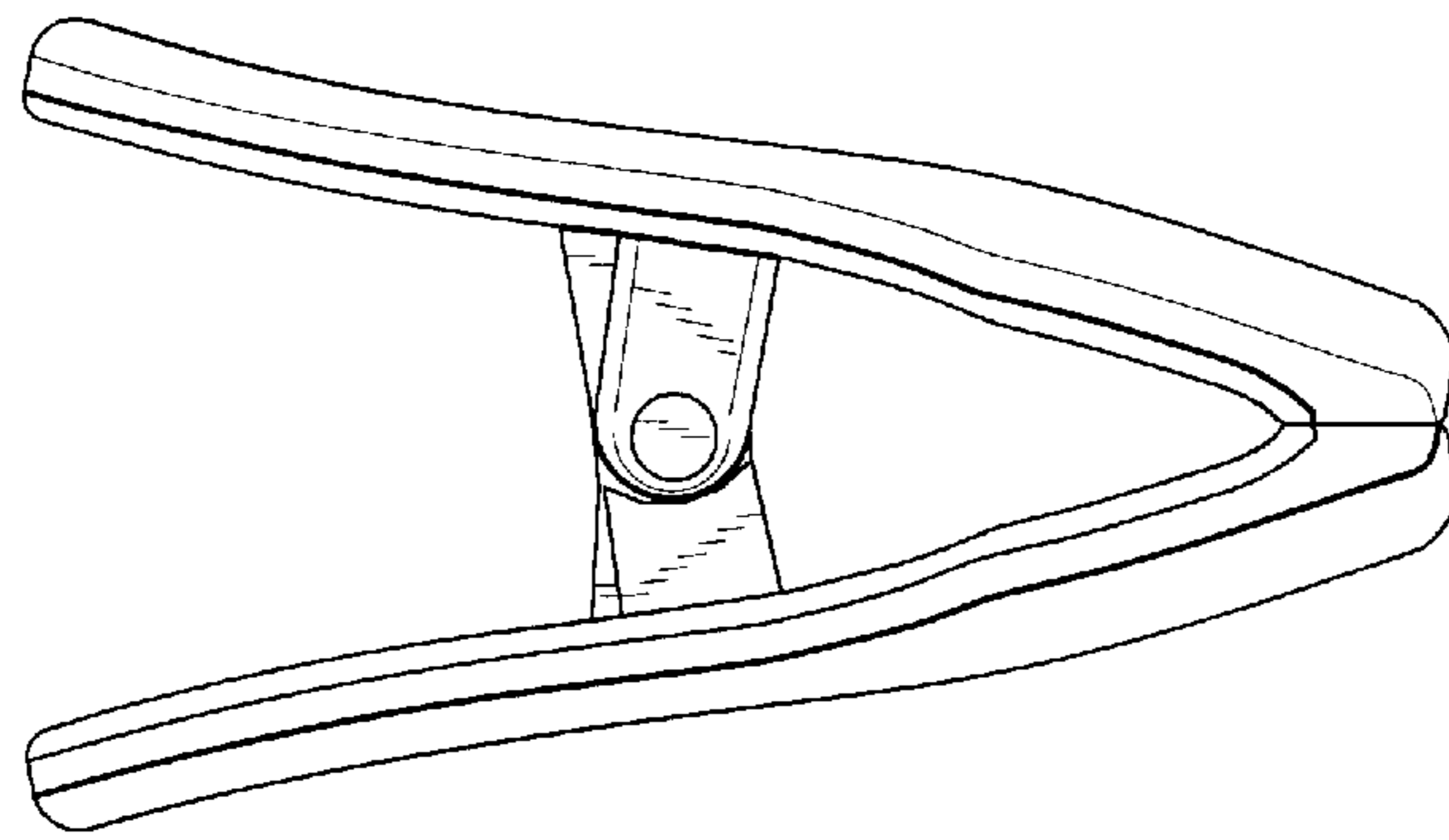


FIG. 3

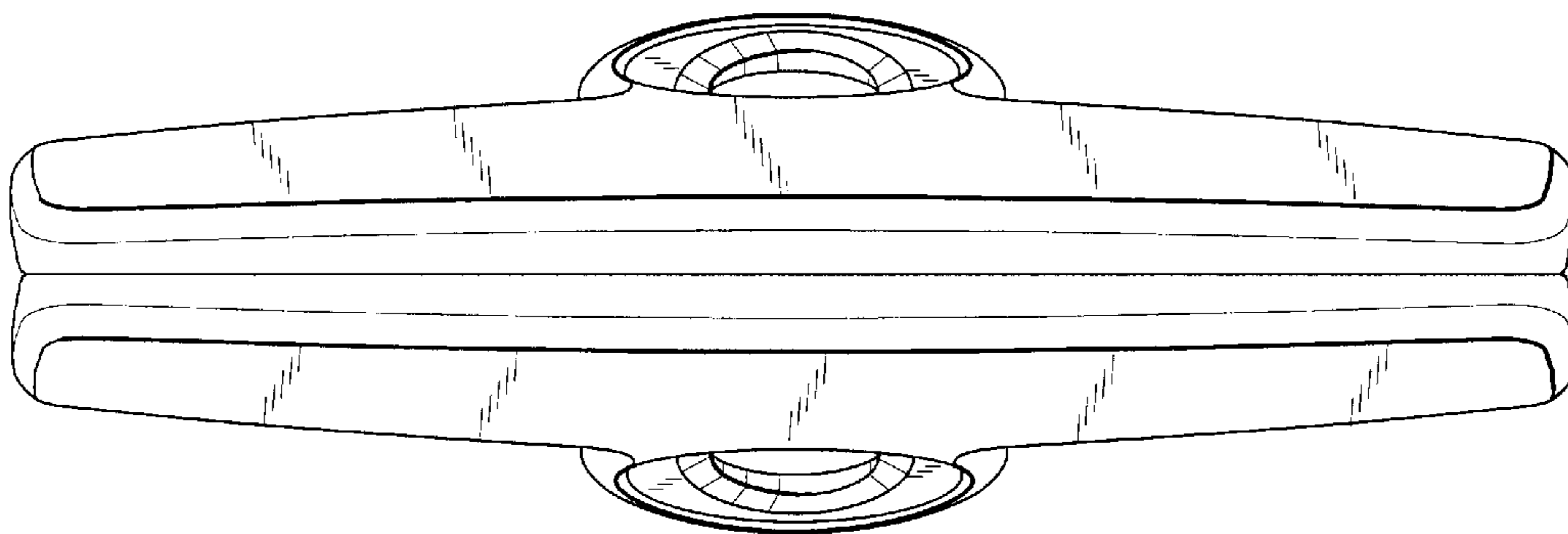


FIG. 4

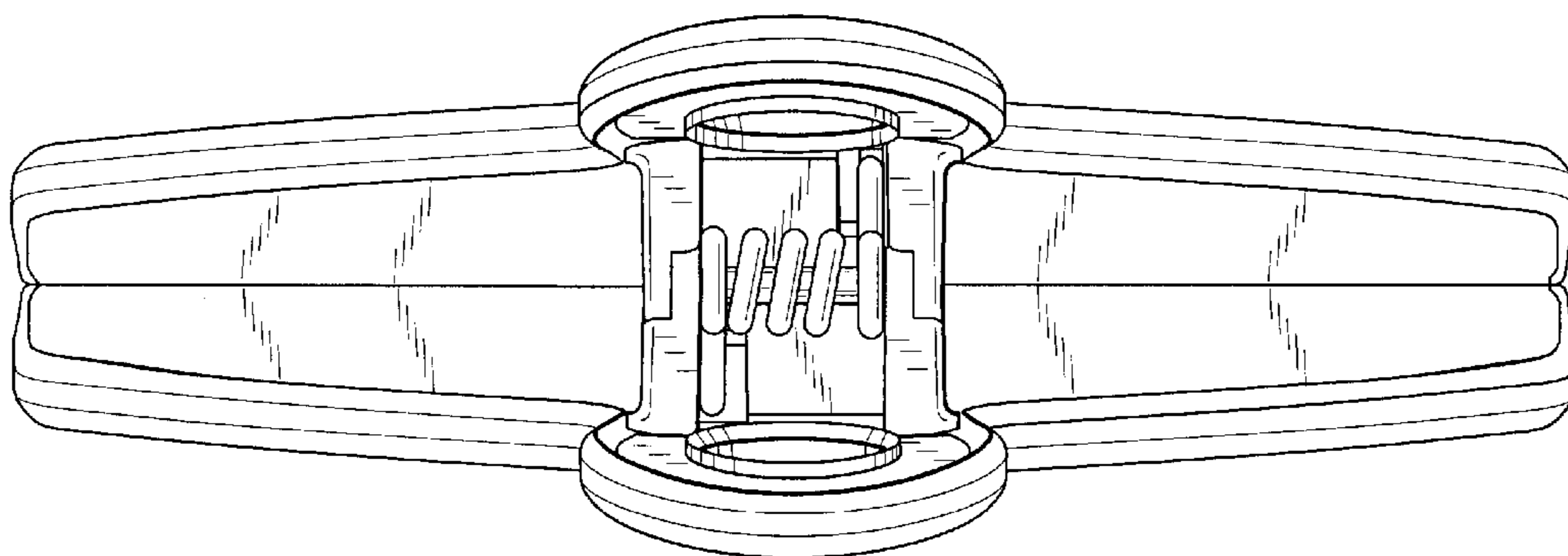


FIG. 5