



US00D520350S

(12) **United States Design Patent**
Wall

(10) **Patent No.:** **US D520,350 S**

(45) **Date of Patent:** **** May 9, 2006**

(54) **CONNECTING ELEMENT FOR SHEET PILES**

D479,798 S * 9/2003 Wall D8/382

(75) Inventor: **Georg Wall**, Munich (DE)

* cited by examiner

(73) Assignee: **PilePro, LLC**, Rapid City, SD (US)

Primary Examiner—Holly H. Baynham

(**) Term: **14 Years**

(74) *Attorney, Agent, or Firm*—Milde & Hoffberg, LLP

(21) Appl. No.: **29/218,166**

(57) **CLAIM**

(22) Filed: **Nov. 29, 2004**

The ornamental design for a connecting element for sheet piles, as shown and described.

(51) **LOC (8) Cl.** **08-08**

(52) **U.S. Cl.** **D8/382**

(58) **Field of Classification Search** D8/382,
D8/394–395; D25/119; 405/278; 403/279;
24/573.09, 346, 370, 598.5

DESCRIPTION

See application file for complete search history.

FIG. 1 is a perspective view of the connecting element for sheet piles according to my design; and,

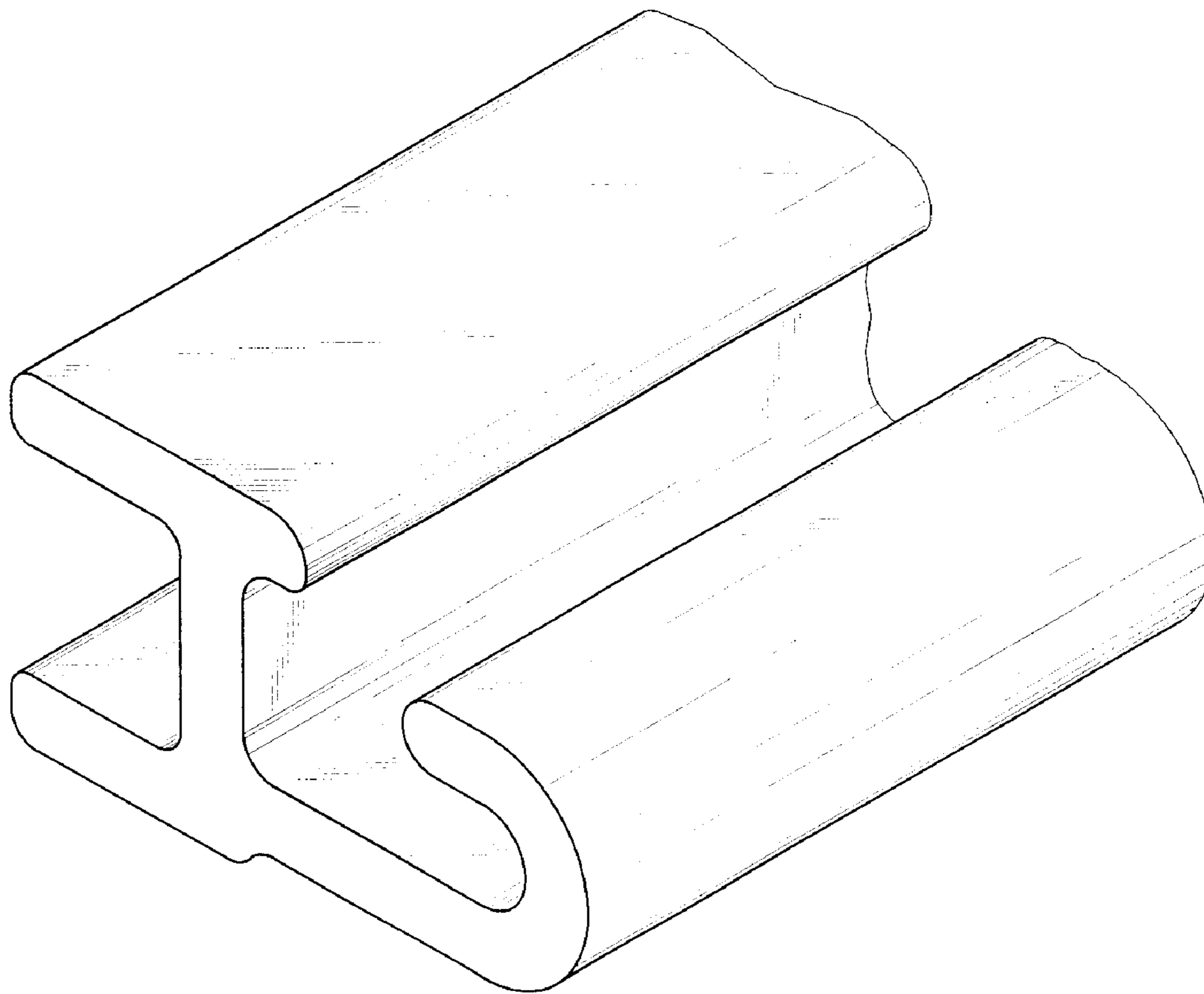
FIG. 2 is an end view of the connecting element of FIG. 1.

(56) **References Cited**

U.S. PATENT DOCUMENTS

D471,083 S * 3/2003 Wall D8/382

1 Claim, 2 Drawing Sheets



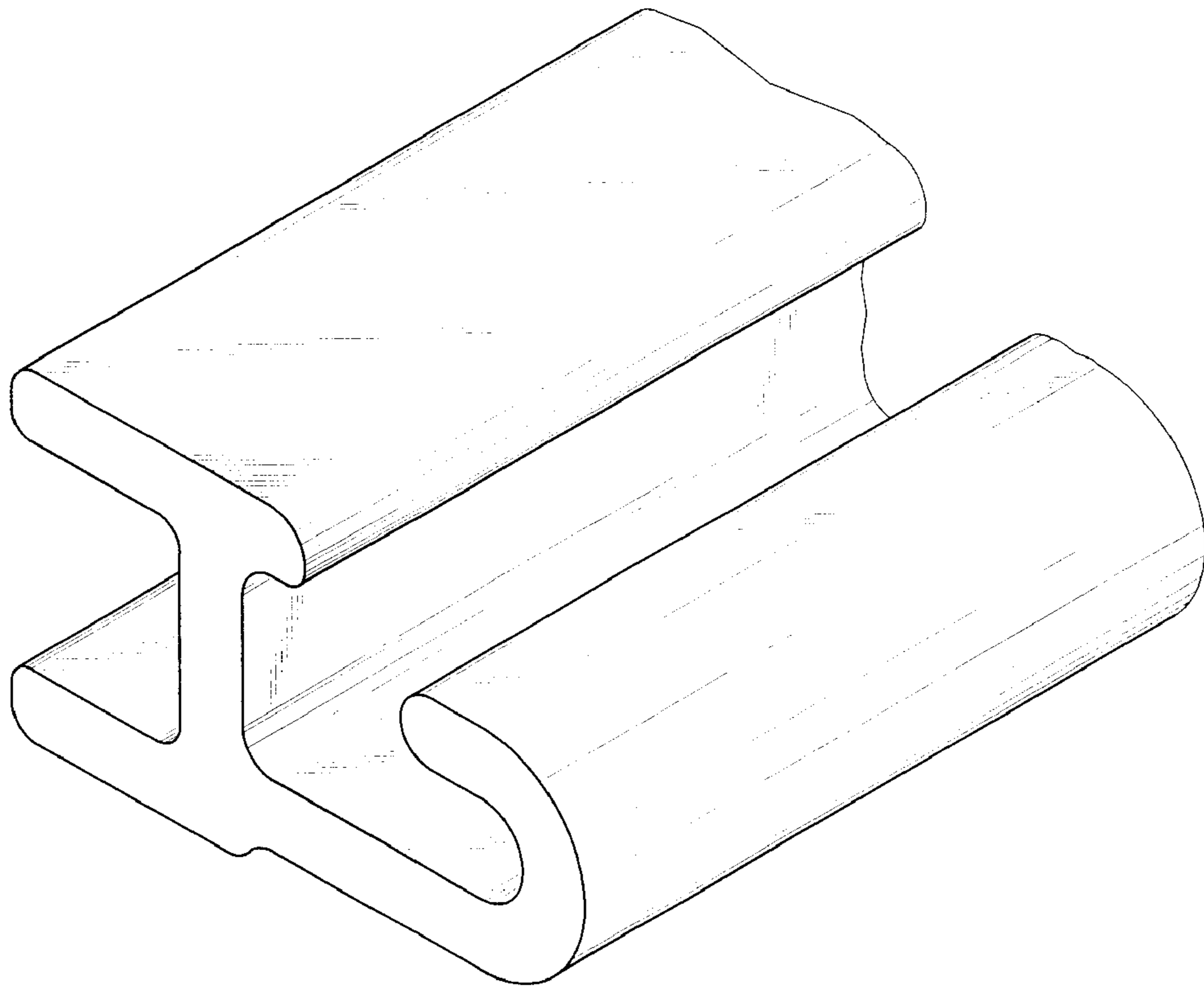


FIG. 1

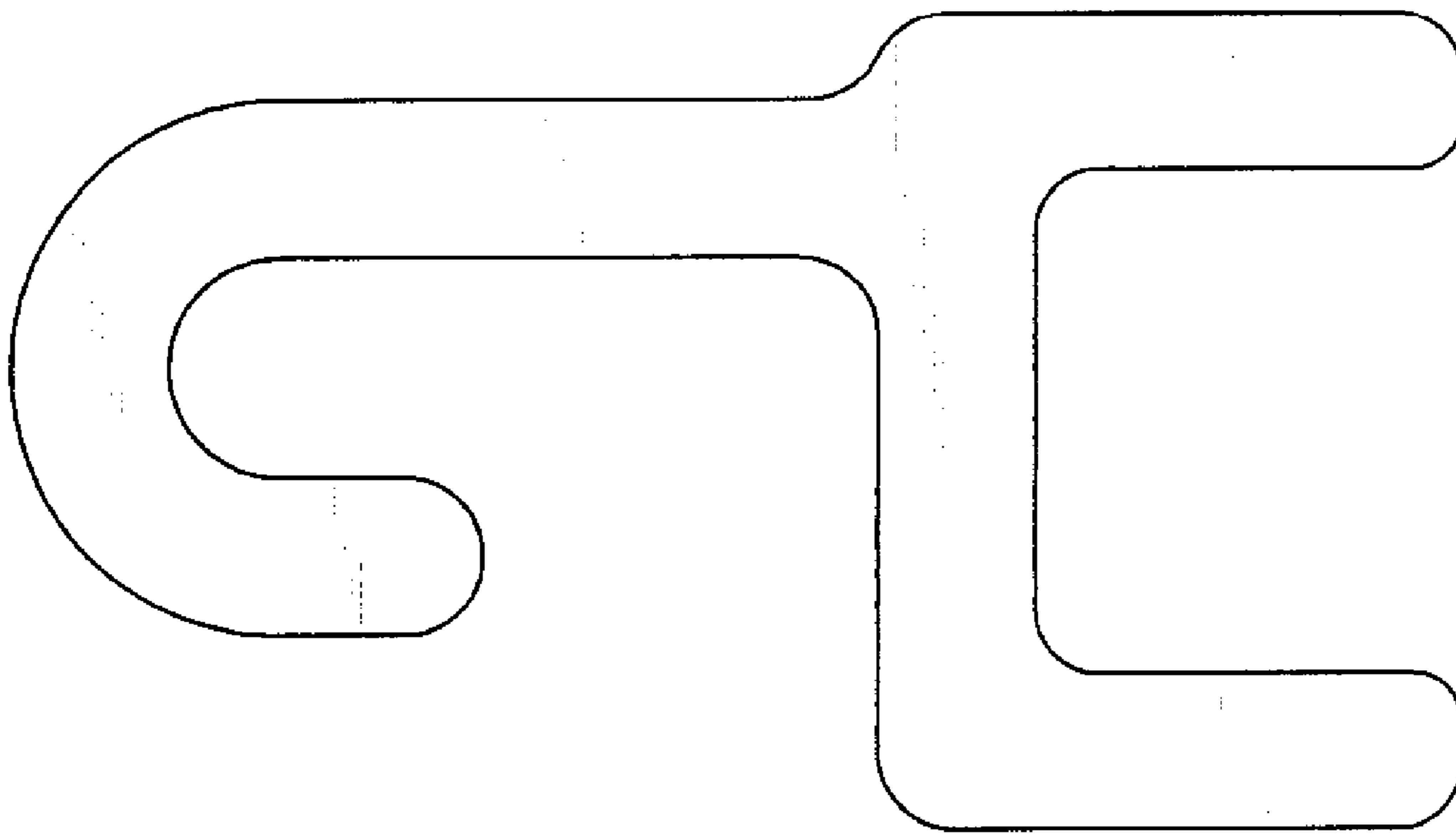


FIG. 2