

US00D520349S

(12) **United States Design Patent**
Boroviak

(10) **Patent No.:** **US D520,349 S**

(45) **Date of Patent:** **** May 9, 2006**

(54) **GATE FRAME BRACKET**

(75) Inventor: **Richard Boroviak**, Oakville (CA)

(73) Assignee: **Premier Custom Design, Inc.**, Ontario (CA)

(**) Term: **14 Years**

(21) Appl. No.: **29/067,042**

(22) Filed: **Feb. 27, 1997**

(30) **Foreign Application Priority Data**

Nov. 26, 1996 (CA) 1996-2618

(51) **LOC (8) Cl.** **08-05**

(52) **U.S. Cl.** **D8/381**

(58) **Field of Classification Search** D8/363,
D8/380-381; 248/235, 237, 243, 245, 247
See application file for complete search history.

(56) **References Cited**

U.S. PATENT DOCUMENTS

476,994 A *	6/1892 Ellis	248/247
1,189,988 A *	7/1916 Moody	248/235
D285,410 S *	9/1986 Webber	D8/363
5,316,253 A *	5/1994 Flathau et al.	248/235

OTHER PUBLICATIONS

Stanley Catalog, p. 181, shelf bracket, located at bottom of page, May 1980.*

* cited by examiner

Primary Examiner—Holly Baynham

(74) *Attorney, Agent, or Firm*—Greer, Burns & Crain, Ltd.

(57) **CLAIM**

An ornamental design for a gate frame bracket, as shown in FIGS. 1 to 10.

DESCRIPTION

FIG. 1 is a perspective view of the first embodiment of the gate frame bracket;

FIG. 2 is a back view thereof with the front view being a mirror image;

FIG. 3 is a bottom view of the gate frame bracket.

FIG. 4 is a top view of the gate frame bracket of FIG. 1.

FIG. 5 is a left side view of the gate frame bracket of FIG. 1.

FIG. 6 is a perspective view of a second embodiment of the design shown in FIG. 1;

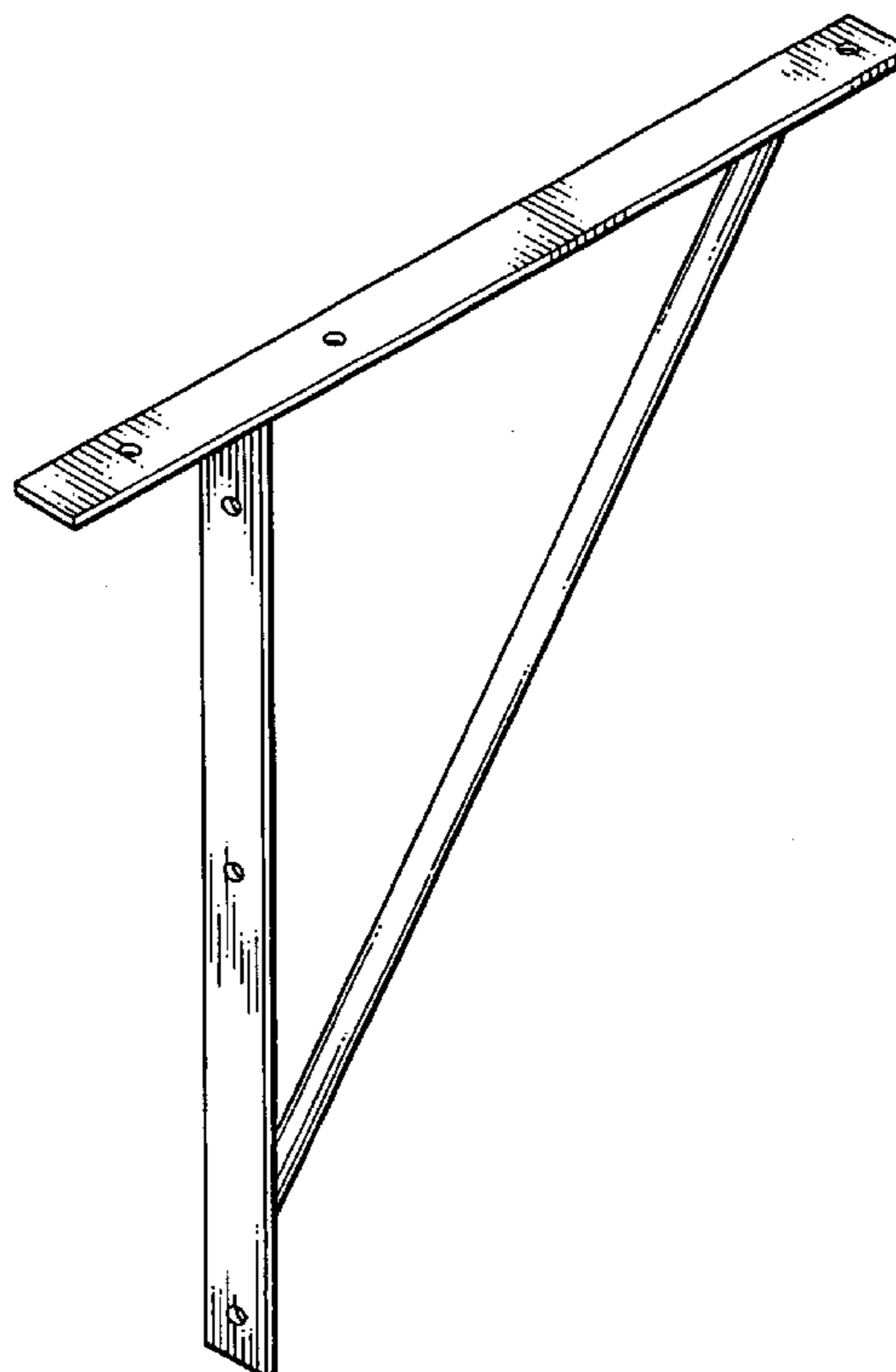
FIG. 7 is a front view thereof, with the back view being a mirror image;

FIG. 8 is a side view of the variant of FIG. 6.

FIG. 9 is a bottom view of the variant of FIG. 6; and,

FIG. 10 is a top view of the variant of FIG. 6.

1 Claim, 6 Drawing Sheets



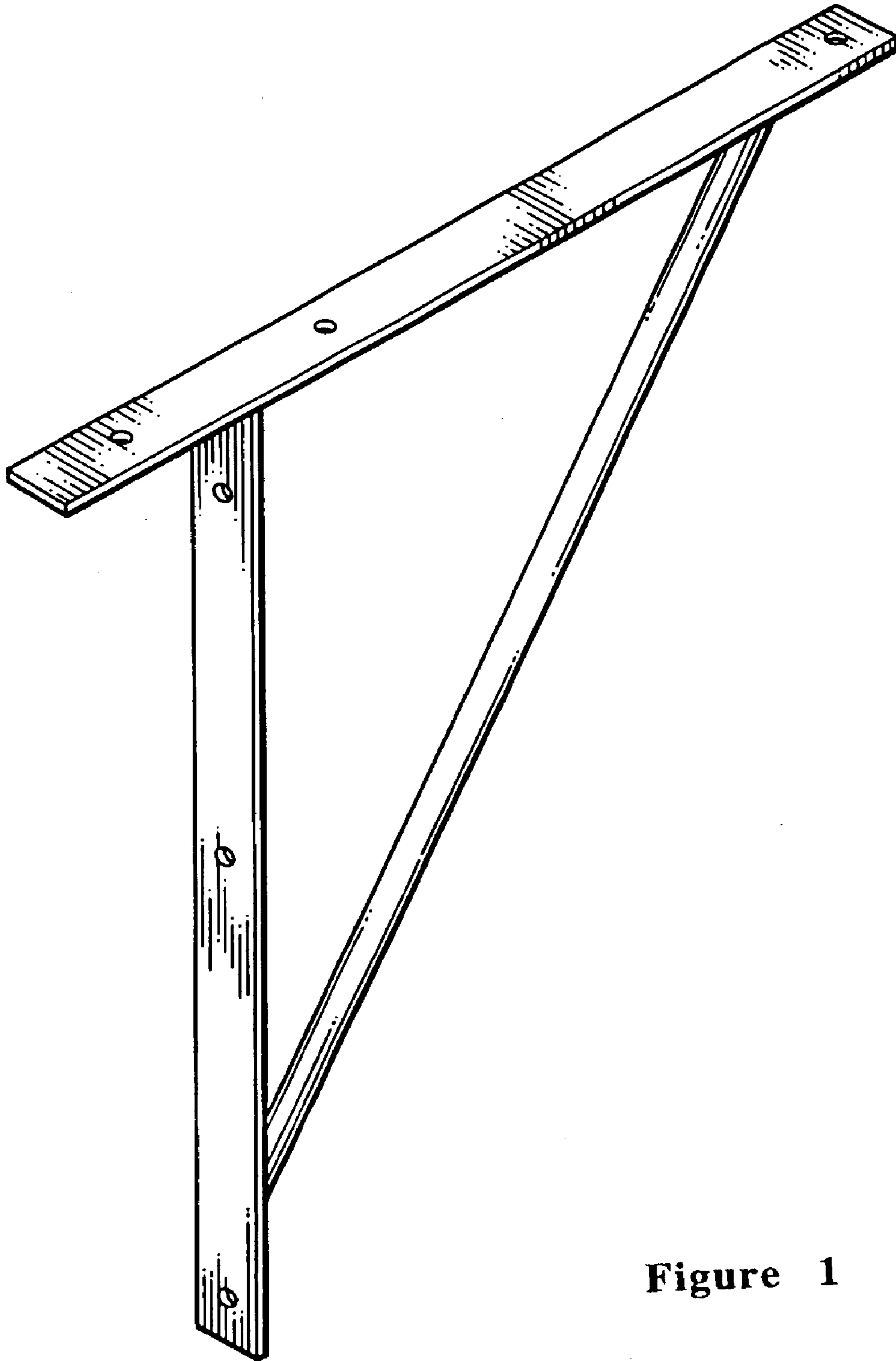


Figure 1

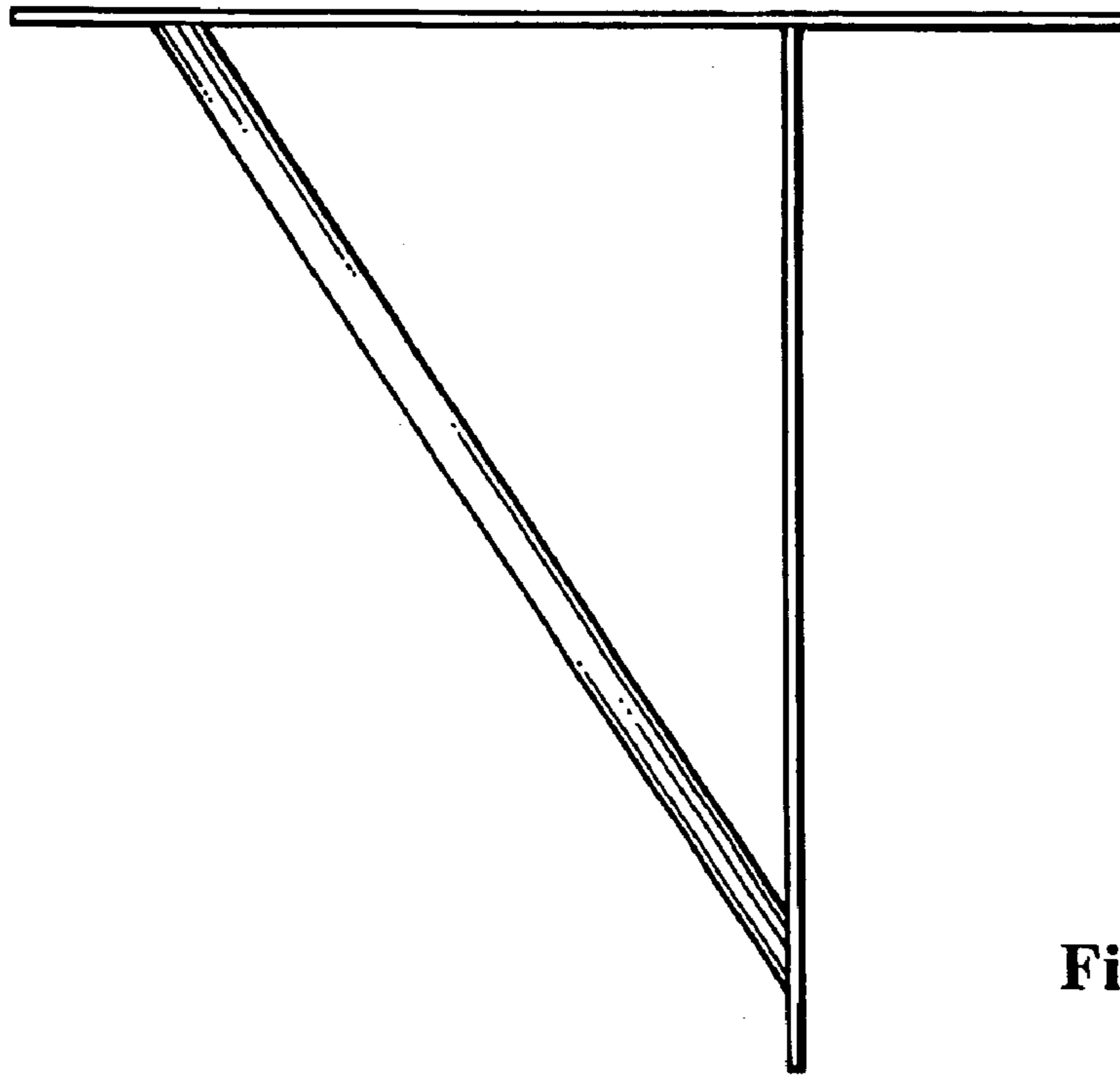


Figure 2

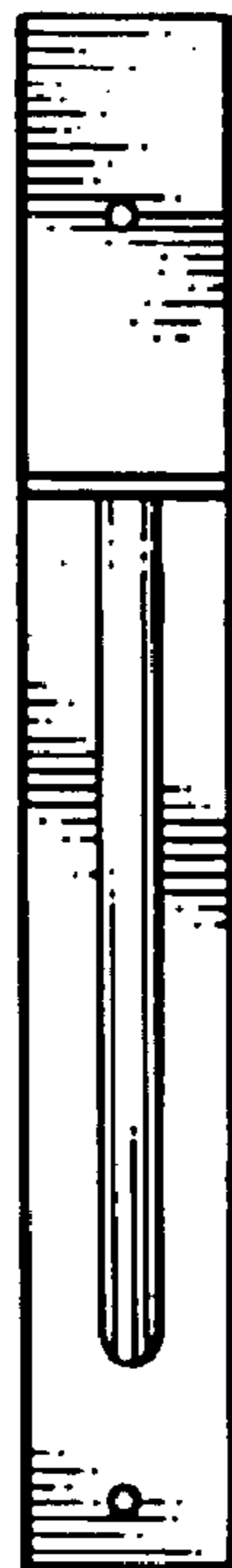


Figure 3



Figure 4



Figure 5

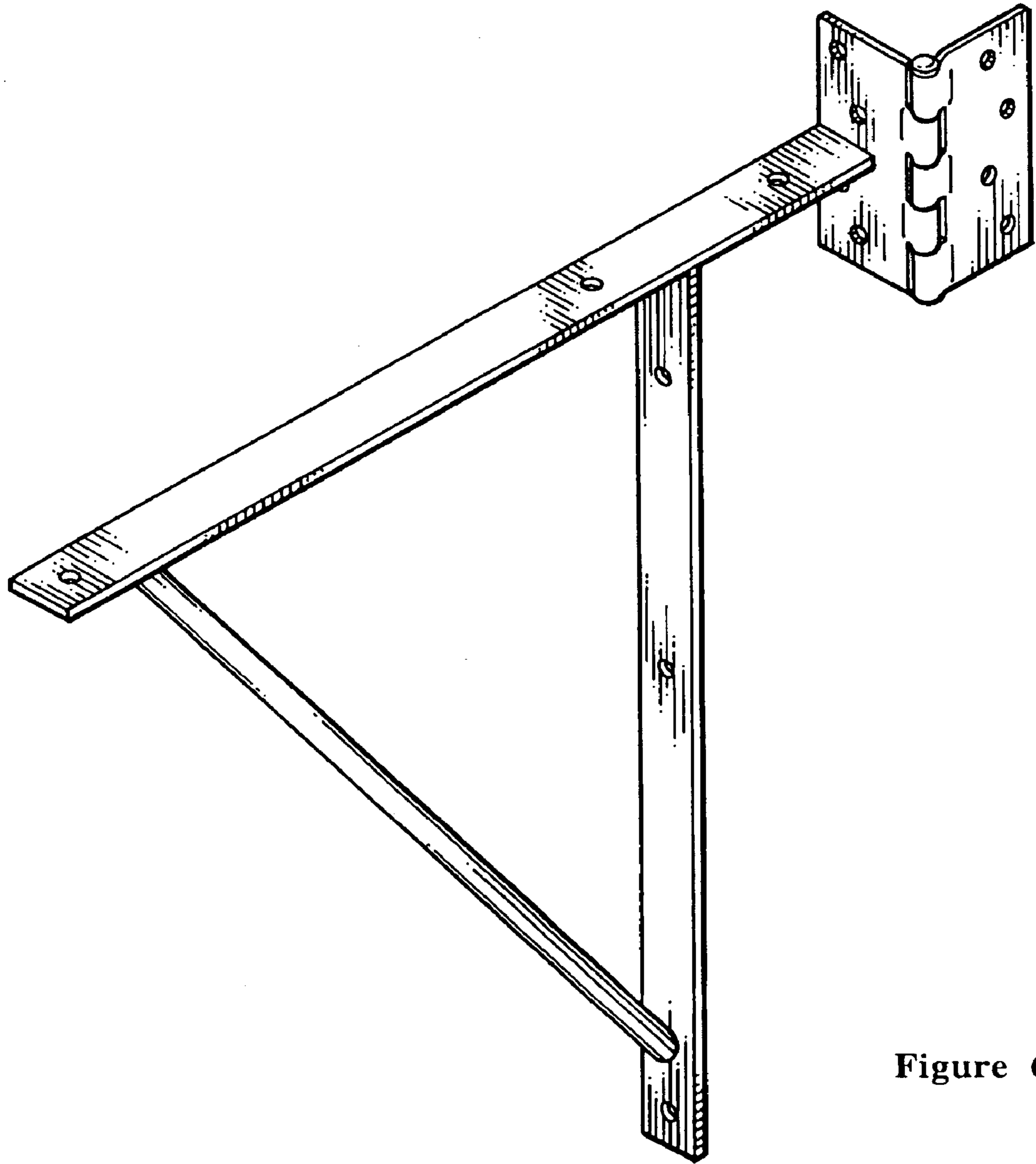


Figure 6

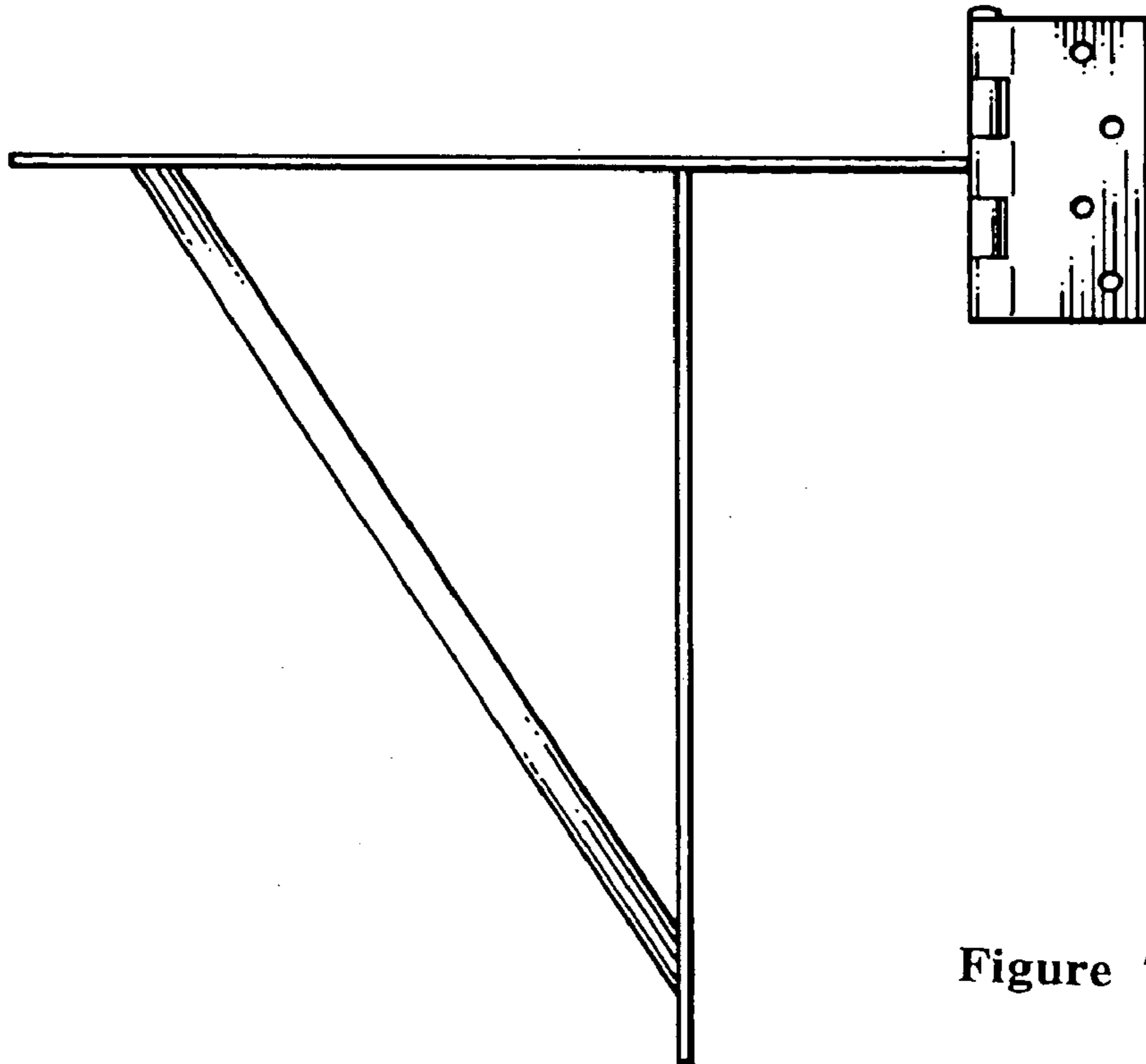


Figure 7



Figure 9

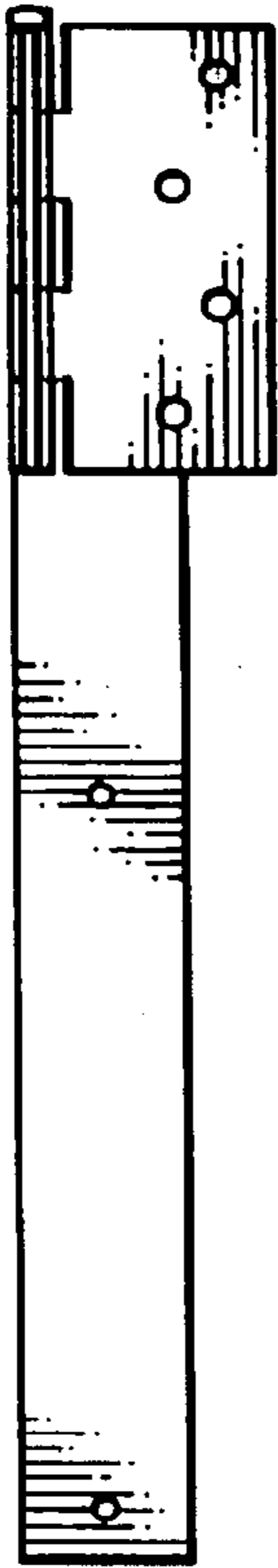


Figure 8



Figure 10