

US00D520347S

(12) **United States Design Patent**
Silzer, Jr. et al.

(10) **Patent No.:** **US D520,347 S**

(45) **Date of Patent:** **** May 9, 2006**

(54) **MOUNTING BRACKET**

(75) Inventors: **Robert Curtis Silzer, Jr.**, Langley (CA); **Alexandru Cezar Doaga**, Richmond (CA)

(73) Assignee: **GPS Industries, Inc.**, Surrey (CA)

(**) Term: **14 Years**

(21) Appl. No.: **29/202,575**

(22) Filed: **Apr. 1, 2004**

(51) **LOC (8) Cl.** **08-05**

(52) **U.S. Cl.** **D8/363**

(58) **Field of Classification Search** D8/349,
D8/354, 363, 373; D14/377, 432; 248/278.1,
248/309.1

See application file for complete search history.

(56) **References Cited**

U.S. PATENT DOCUMENTS

D199,391 S	*	10/1964	Van Riper	D8/363
D247,738 S	*	4/1978	Rynearson	D8/354
D384,980 S		10/1997	Willems et al.		
D389,195 S		1/1998	Willems et al.		
D419,955 S		2/2000	Silzer, Jr.		
D419,993 S		2/2000	Silzer, Jr.		
D426,142 S	*	6/2000	Moore	D8/363

* cited by examiner

Primary Examiner—Holly H. Baynham

(74) *Attorney, Agent, or Firm*—Fitch, Even, Tabin & Flannery

(57) **CLAIM**

We claim the ornamental design for a mounting bracket, as shown and described.

DESCRIPTION

FIG. 1 is a perspective view of a mounting bracket showing our new design;

FIG. 2 is front elevational view of the mounting bracket of FIG. 1;

FIG. 3 is a rear elevational view of the mounting bracket of FIG. 1;

FIG. 4 is a left side elevational view of the mounting bracket of FIG. 1;

FIG. 5 is right side elevational view of the mounting bracket of FIG. 1;

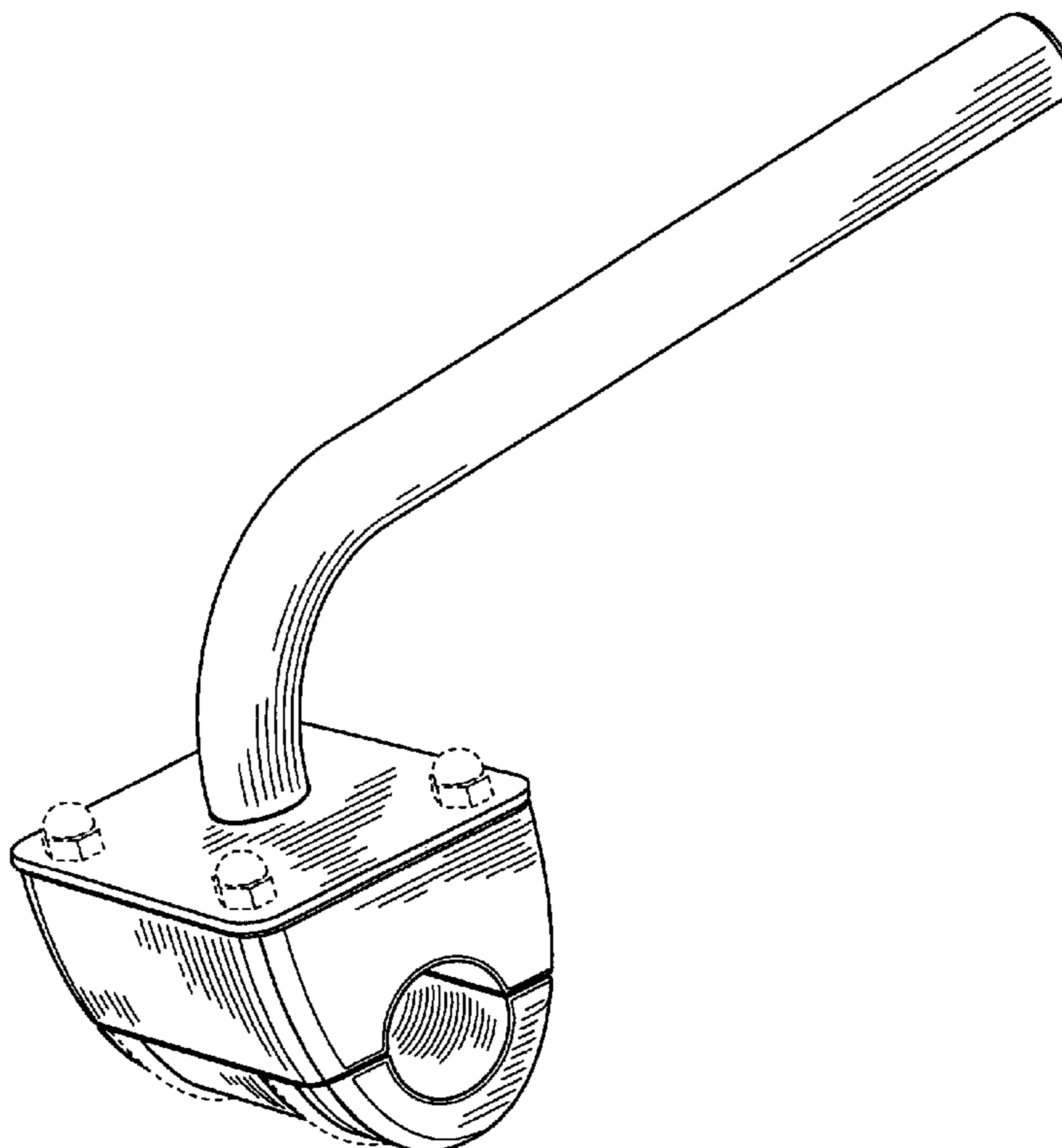
FIG. 6 is a plan view of the mounting bracket of FIG. 1;

FIG. 7 is a bottom view of the mounting bracket of FIG. 1; and,

FIG. 8 is an additional perspective view showing an electronic component connected to the mounting bracket of FIG. 1.

The broken lines of the mounting bracket are for illustrative purposes only and form no part of the claimed design.

1 Claim, 5 Drawing Sheets



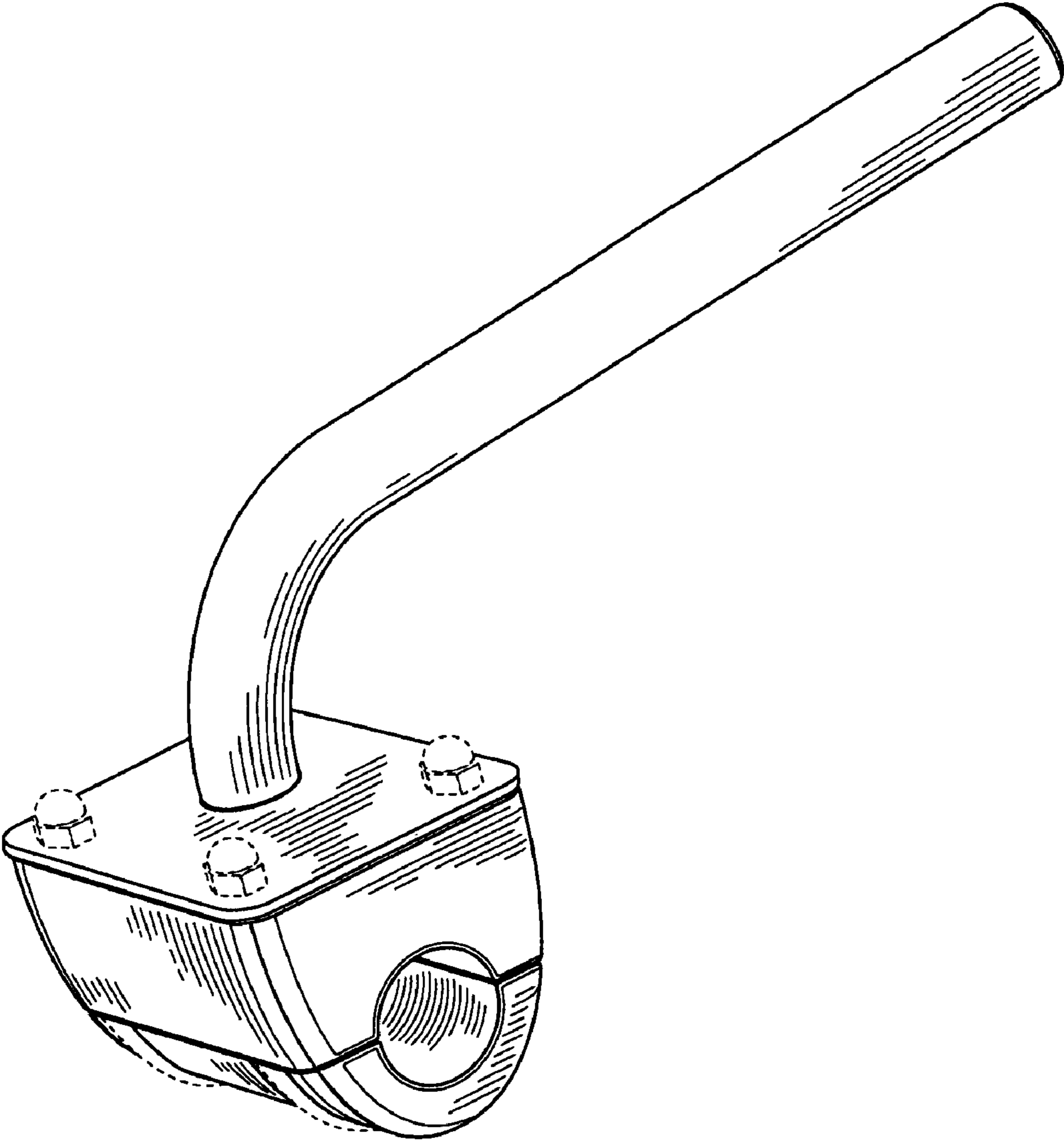


FIG. 1

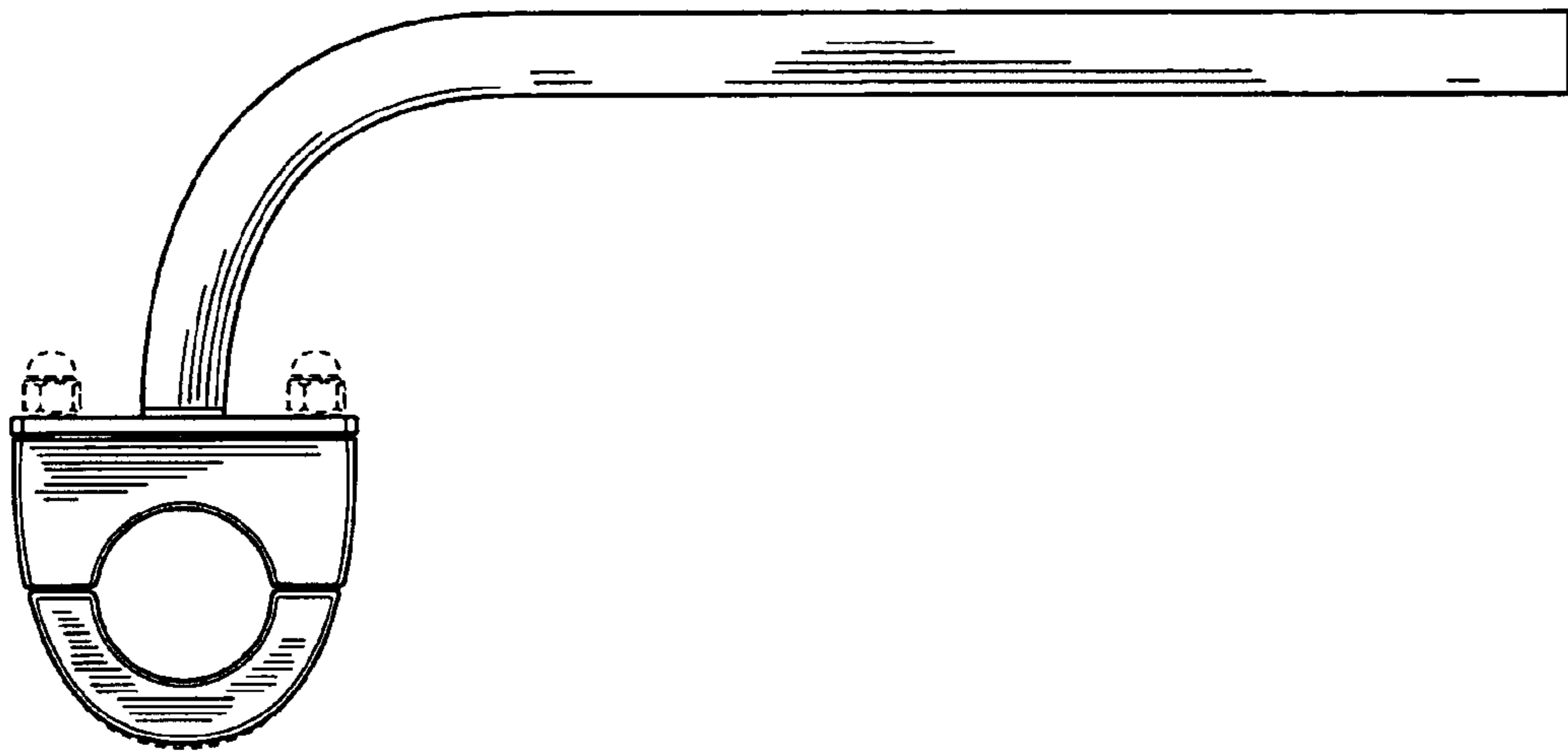


FIG. 2

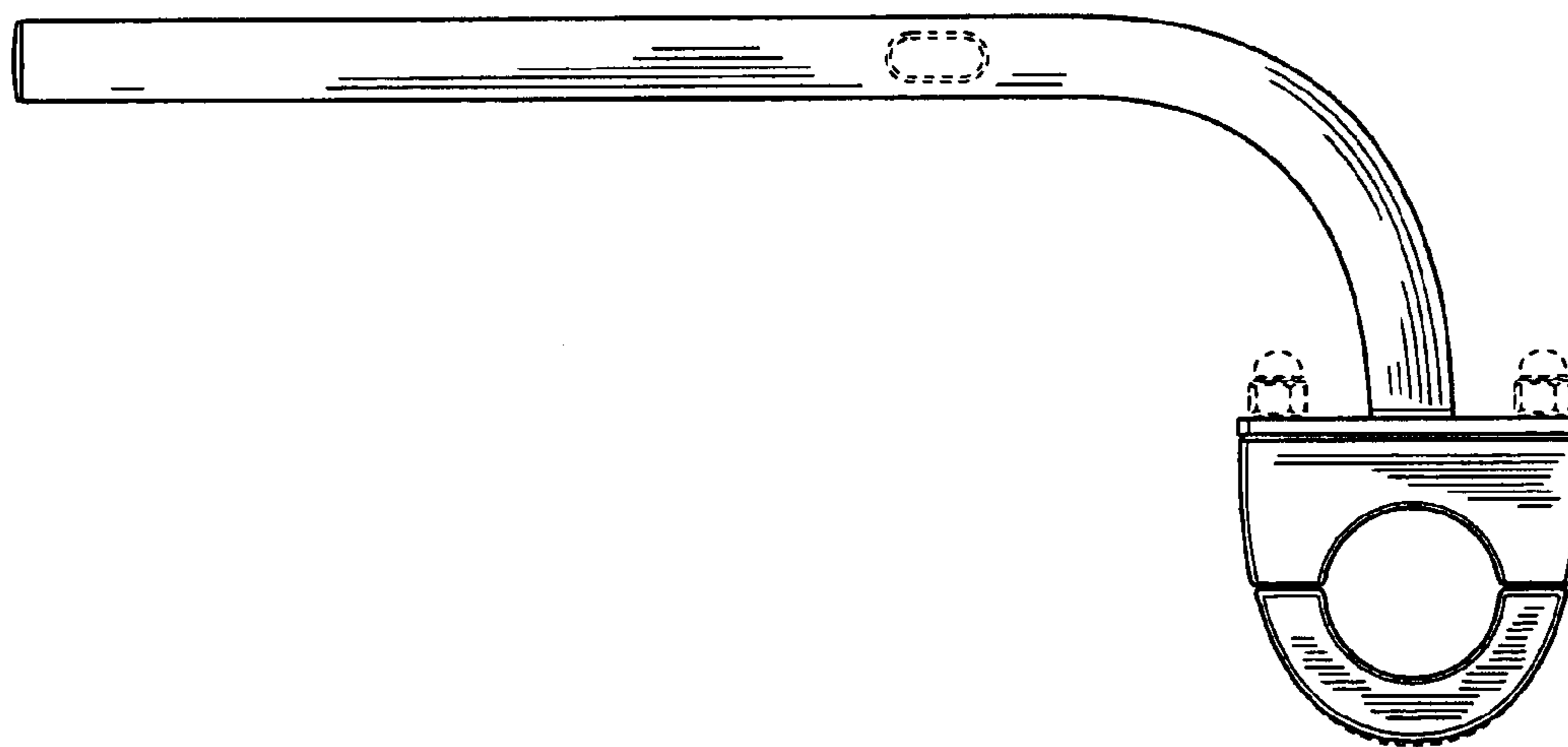


FIG. 3

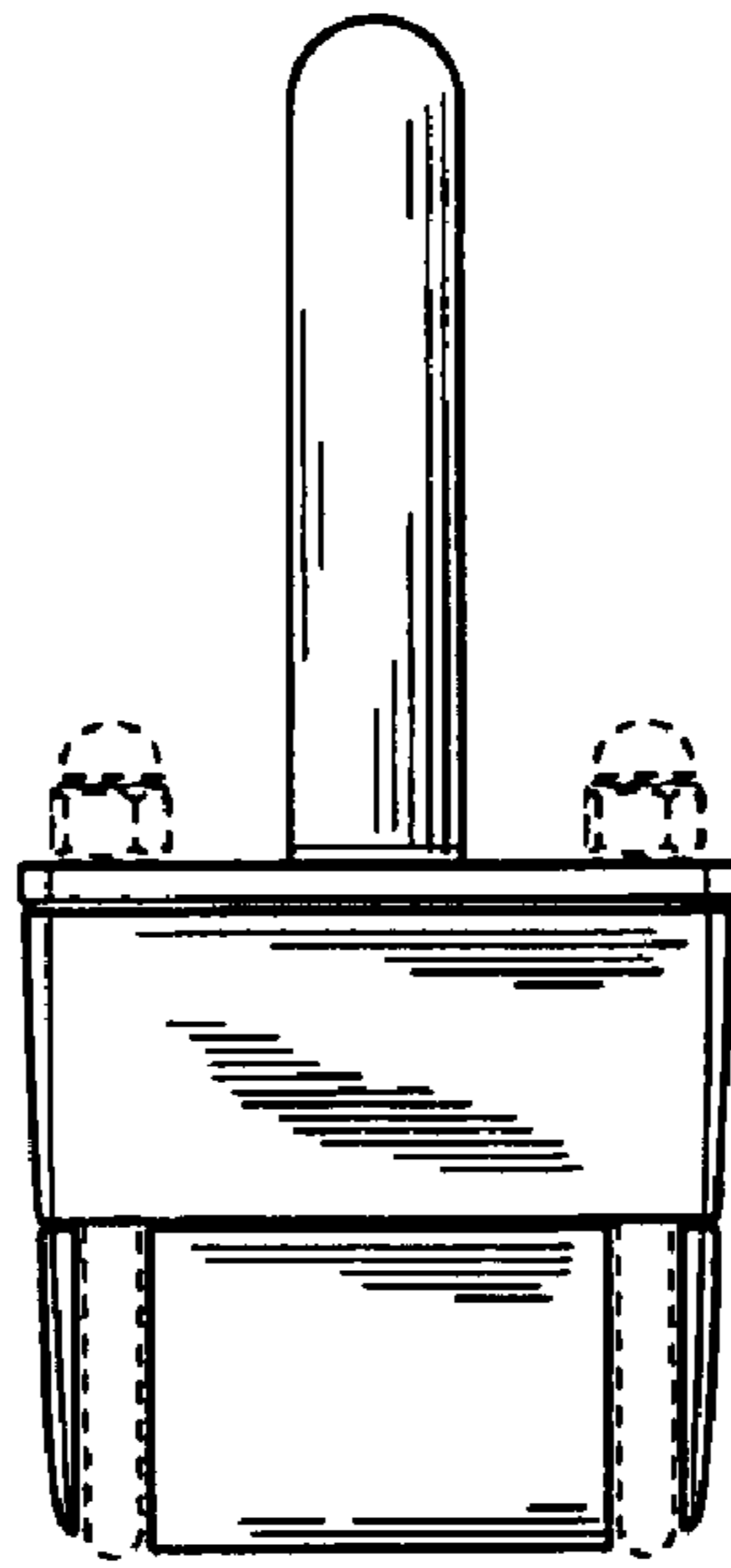


FIG. 4

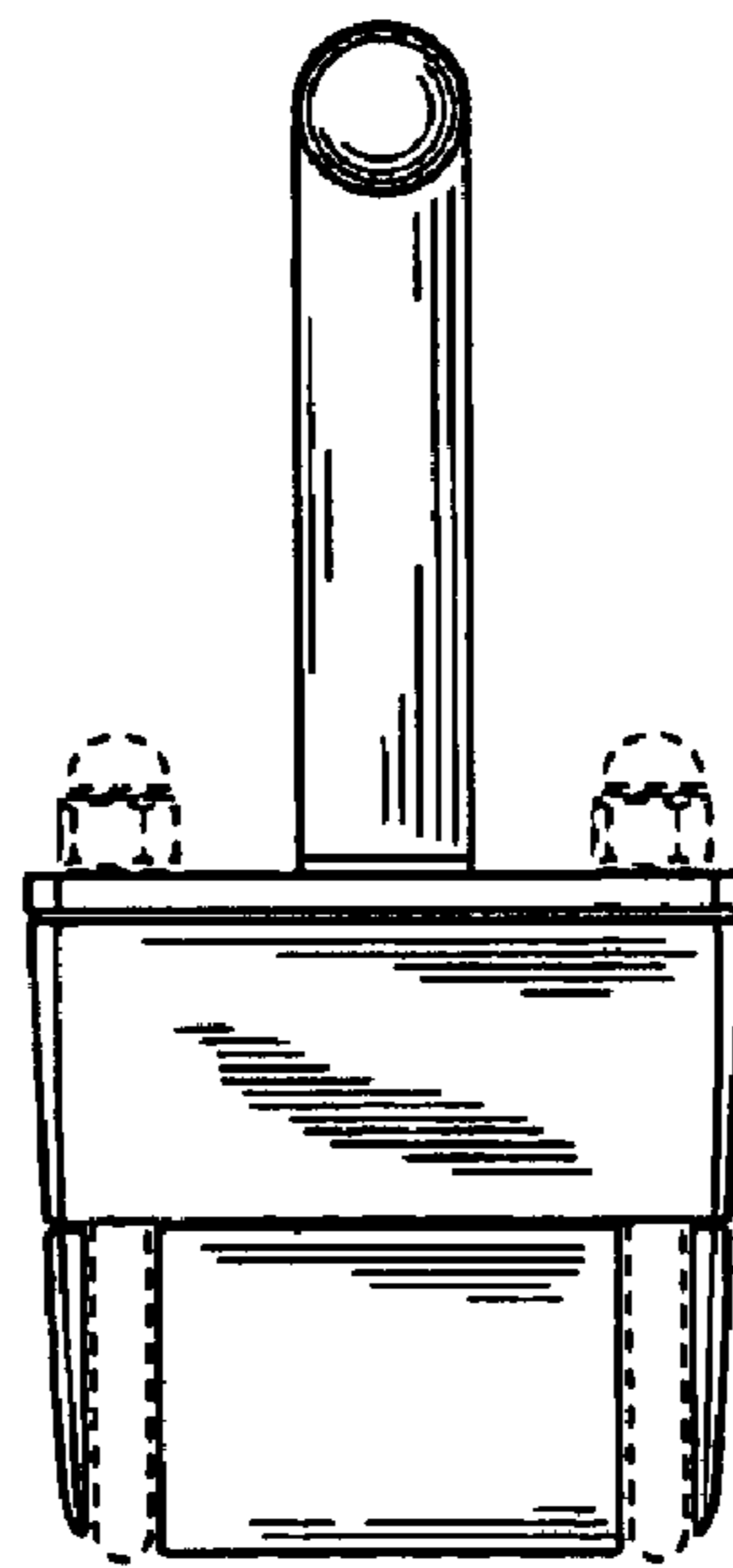


FIG. 5

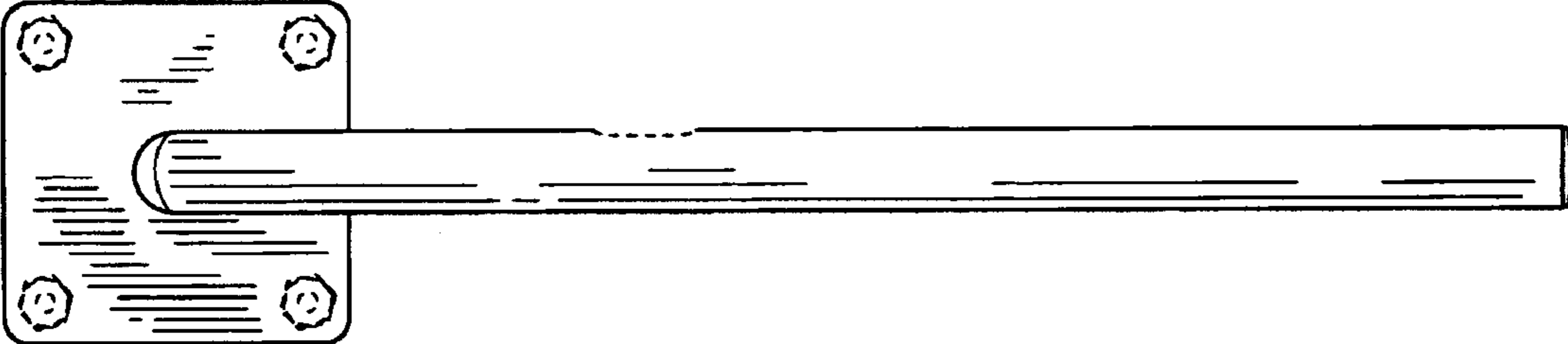


FIG. 6

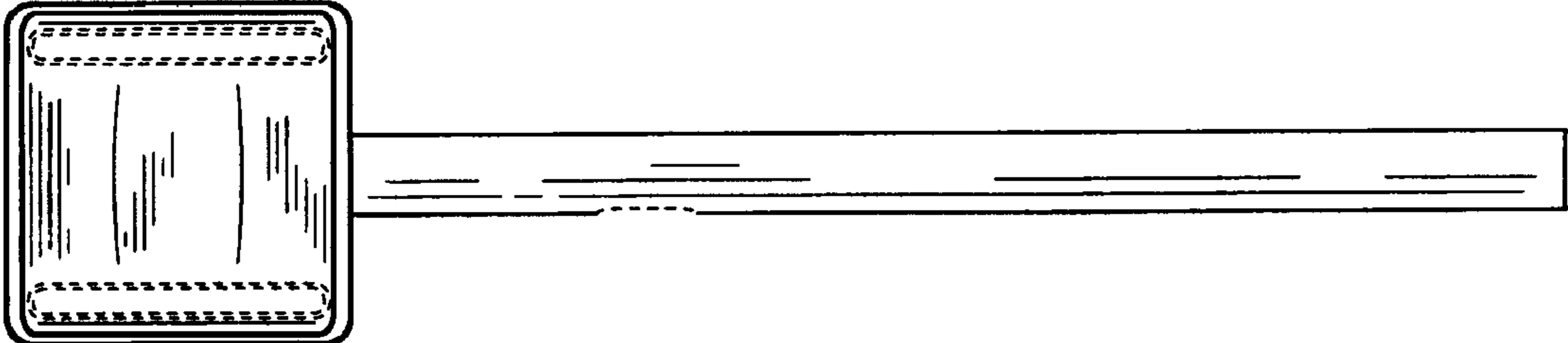


FIG. 7

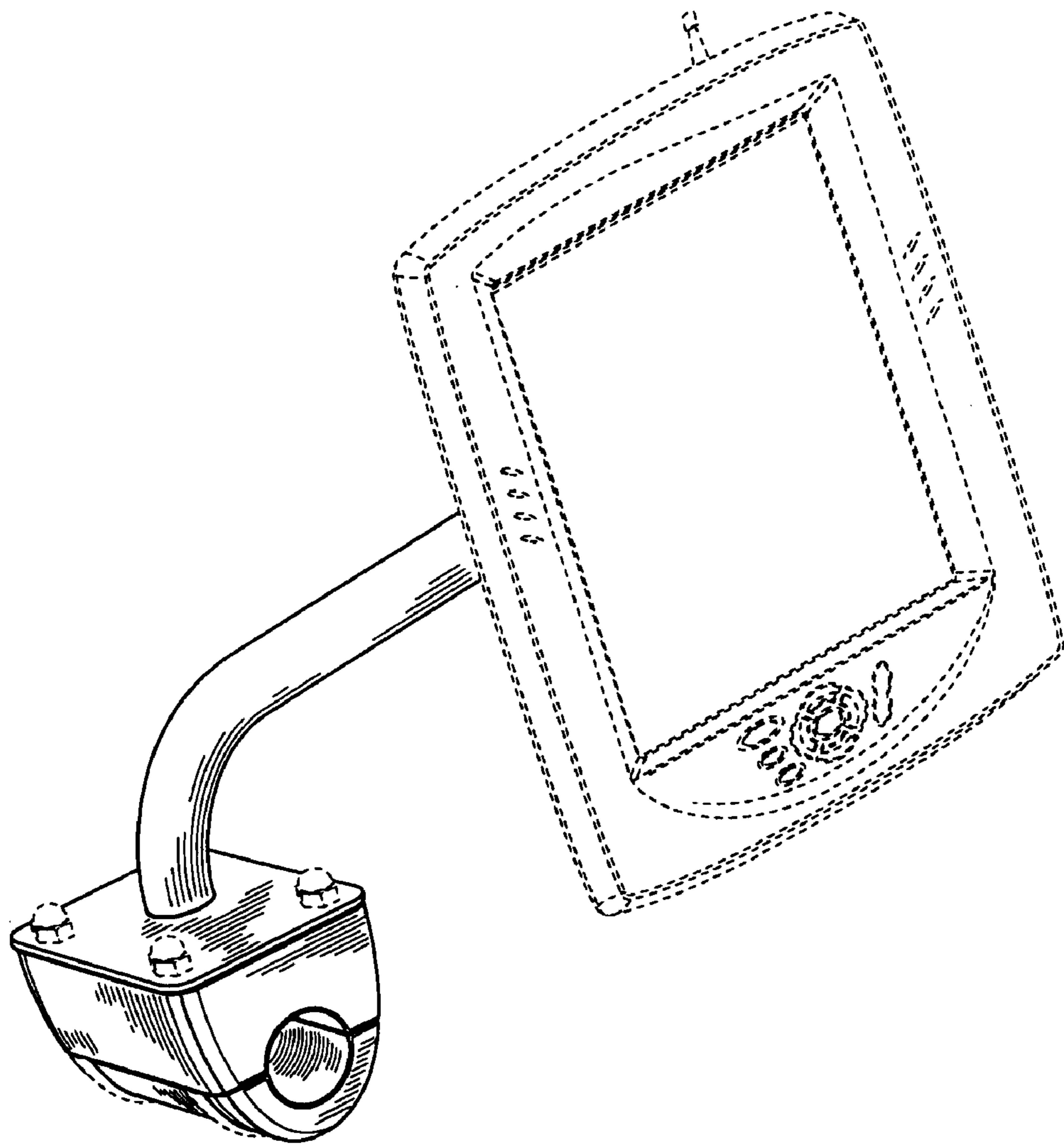


FIG. 8