



US00D520344S

(12) **United States Design Patent**  
**Vejmarker**

(10) **Patent No.:** **US D520,344 S**

(45) **Date of Patent:** **\*\* May 9, 2006**

(54) **NOGGIN HEAD BRACE**

(75) Inventor: **Bo Vejmarker**, Trelleborg (SE)

(73) Assignee: **BPB plc**, Slough (GB)

(\*\*) Term: **14 Years**

(21) Appl. No.: **29/201,151**

(22) Filed: **Mar. 11, 2004**

(30) **Foreign Application Priority Data**

Sep. 12, 2003 (SE) ..... 03-0822

(51) **LOC (8) Cl.** ..... **08-05**

(52) **U.S. Cl.** ..... **D8/354**

(58) **Field of Classification Search** ..... D8/354,  
D8/349, 292, 363, 366, 380; 403/403, 231;  
D25/126, 131, 134; 49/50, 57, 463; 52/202;  
182/87, 112, 113; 248/220.1, 247; 256/65.03  
See application file for complete search history.

(56) **References Cited**

**U.S. PATENT DOCUMENTS**

- 2,235,761 A \* 3/1941 Goldsmith ..... 52/292
- 2,369,687 A \* 2/1945 Ralston ..... 403/403
- D272,414 S \* 1/1984 Barnes ..... D8/363
- D468,191 S \* 1/2003 Burke ..... D8/363
- D472,793 S \* 4/2003 Callahan et al. .... D8/349
- D483,651 S \* 12/2003 Sander ..... D8/349

- D487,391 S \* 3/2004 Balaban ..... D8/354
- D492,189 S \* 6/2004 Weremchuk et al. .... D8/354
- D492,888 S \* 7/2004 Wilson ..... D8/349
- D500,666 S \* 1/2005 Murphy et al. .... D8/354
- D500,667 S \* 1/2005 Murphy et al. .... D8/354
- D503,330 S \* 3/2005 Murphy et al. .... D8/354

\* cited by examiner

*Primary Examiner*—Holly H. Baynham

(74) *Attorney, Agent, or Firm*—Vangelis Economou

(57) **CLAIM**

The ornamental design for the noggin head brace, as shown and described.

**DESCRIPTION**

FIG. 1 is a perspective view of the noggin head brace showing my new design;

FIG. 2 is a perspective view thereof, shown from an alternate angle;

FIG. 3 is an enlarged front elevational view thereof;

FIG. 4 is an enlarged back elevational view thereof;

FIG. 5 is an enlarged left side view thereof;

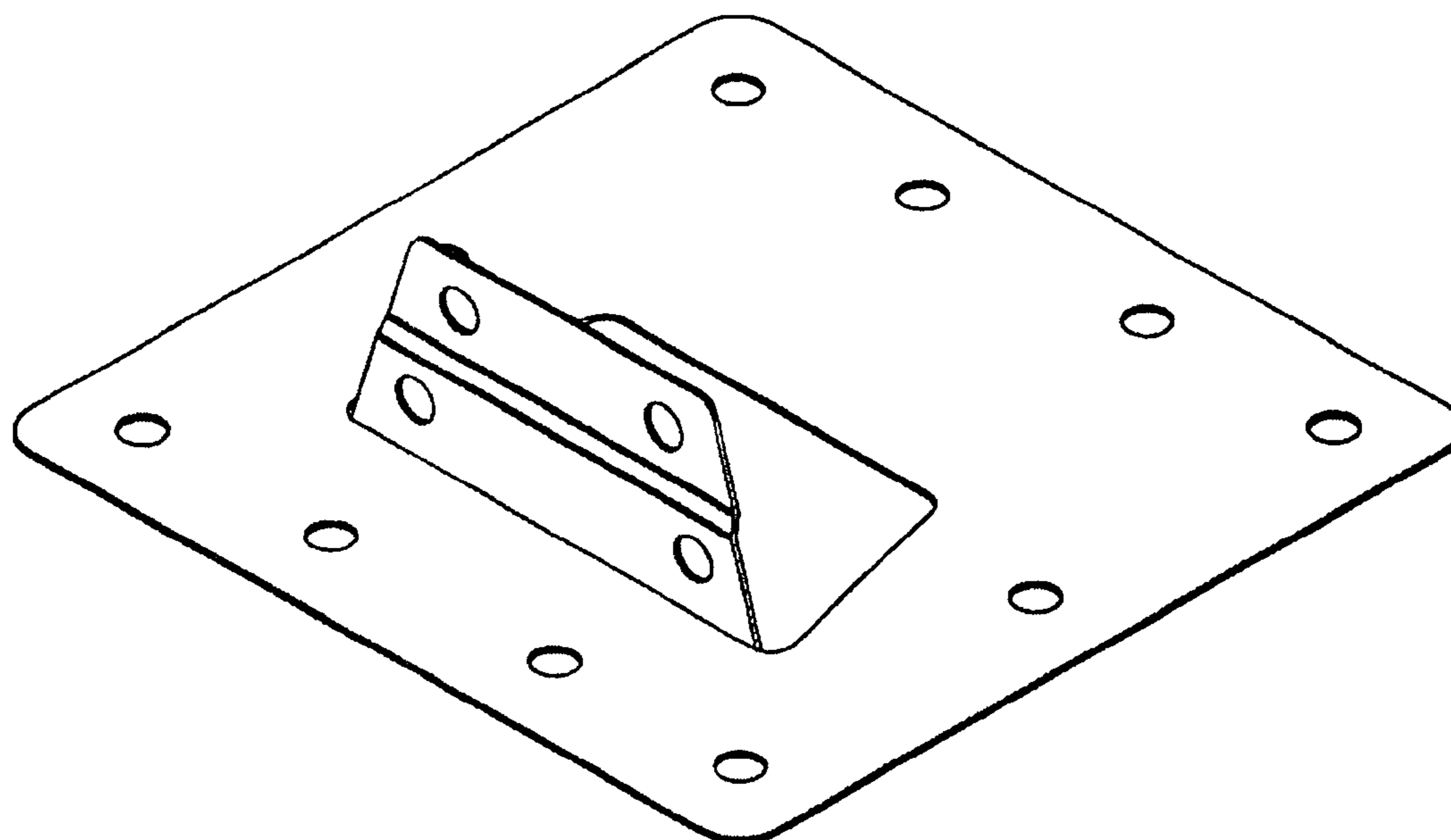
FIG. 6 is an enlarged right side view thereof;

FIG. 7 is an enlarged top view thereof; and,

FIG. 8 is an enlarged bottom view thereof.

FIGS. 3–8 have been shown on an enlarged scale in respect to FIGS. 1 and 2.

**1 Claim, 4 Drawing Sheets**



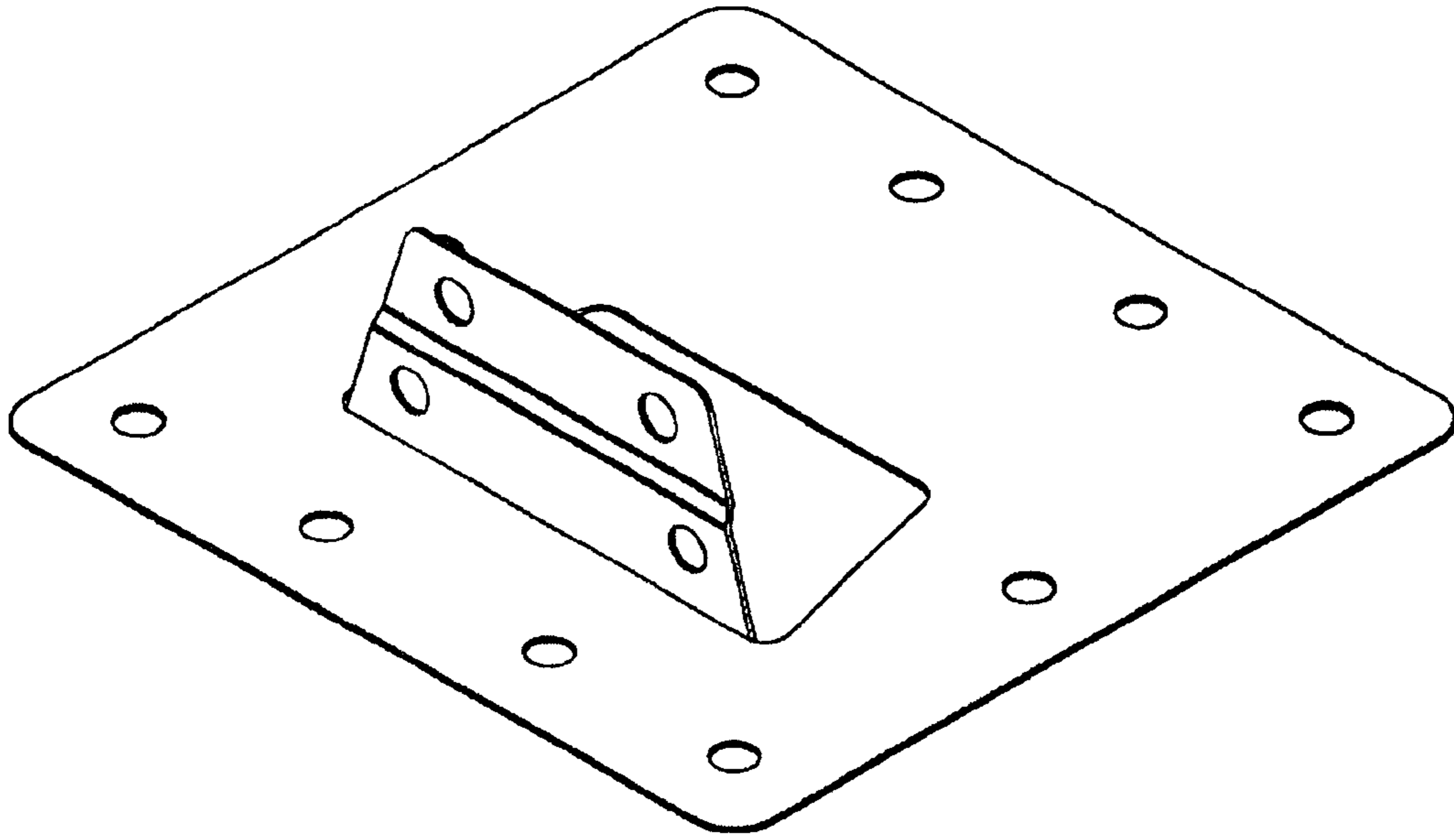


FIG. 1

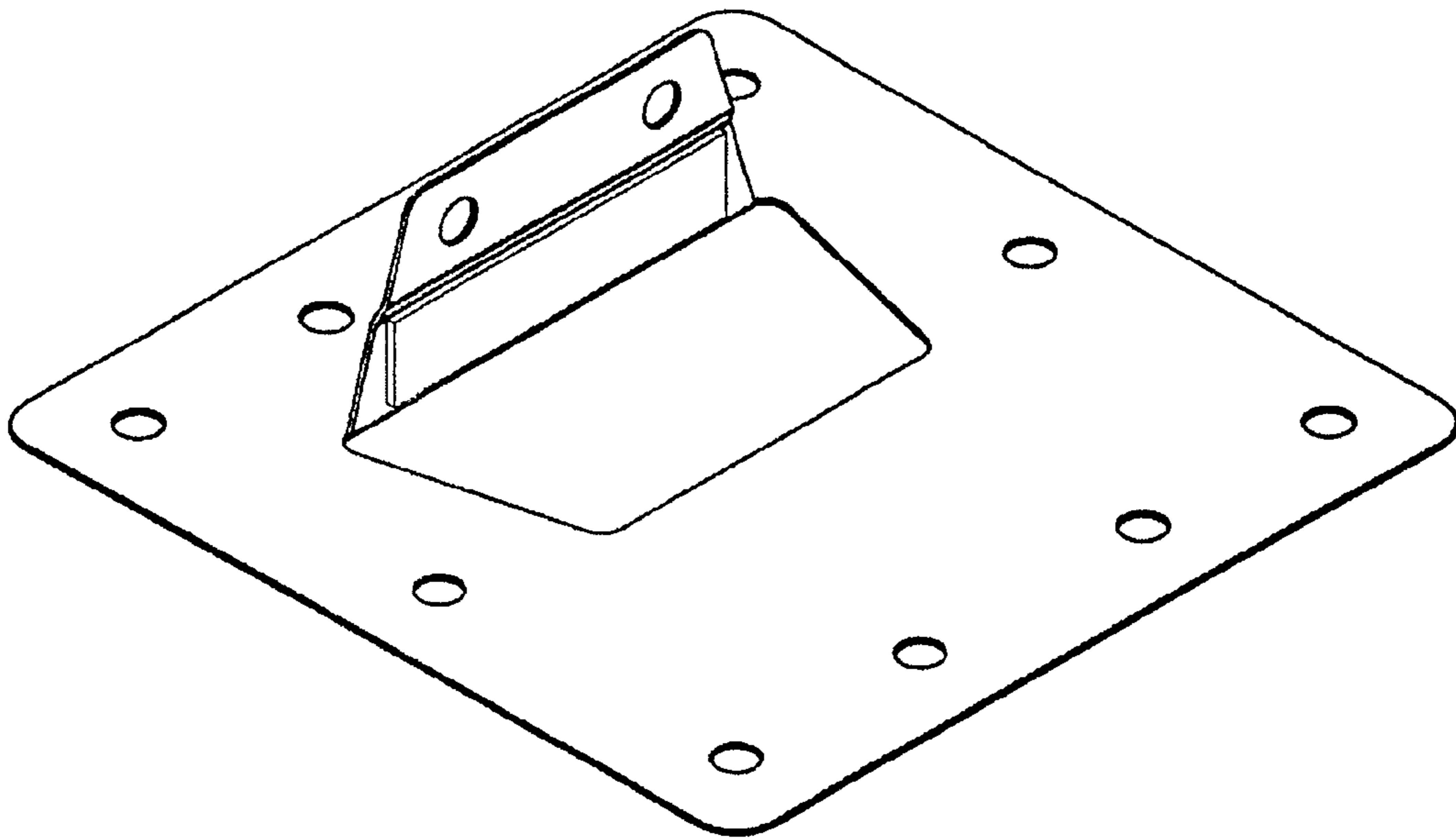


FIG. 2

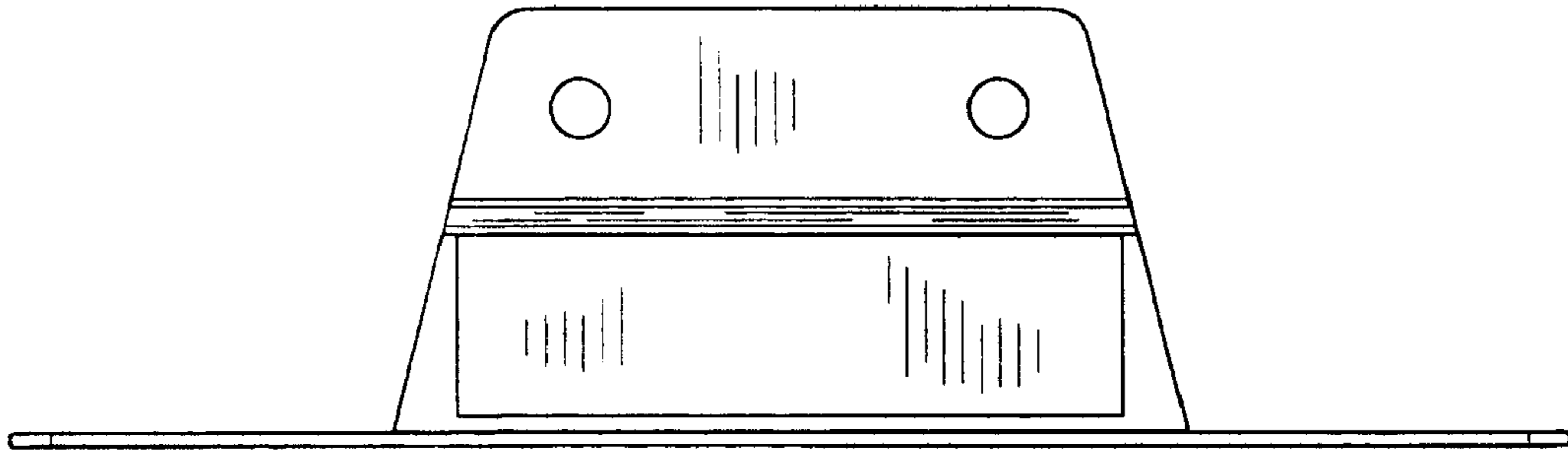


FIG. 3

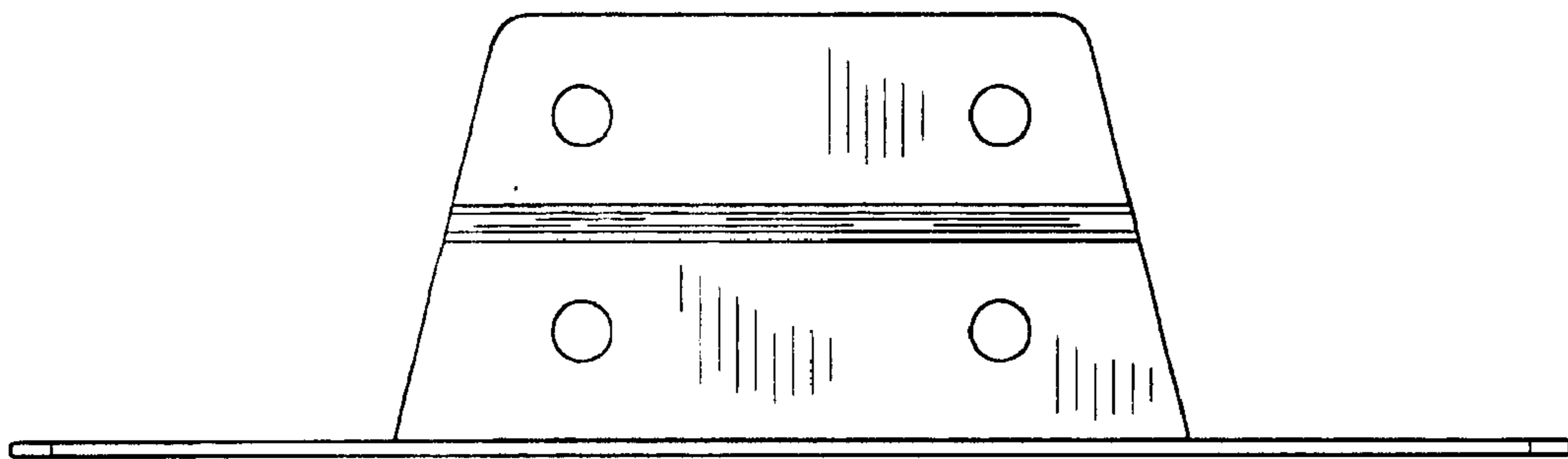


FIG. 4

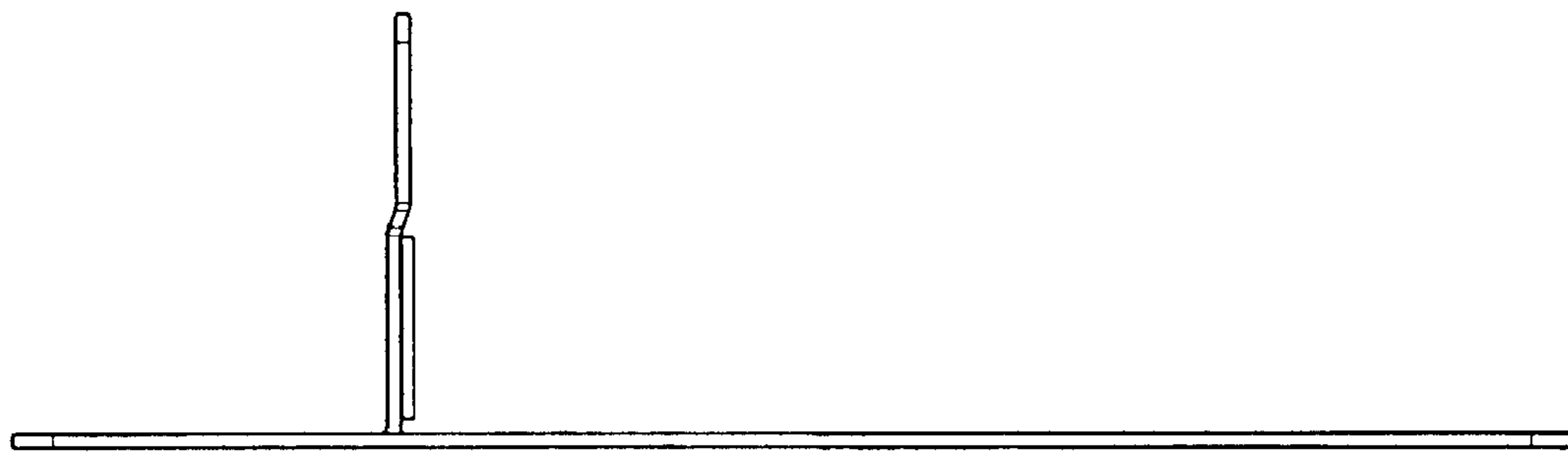


FIG. 5

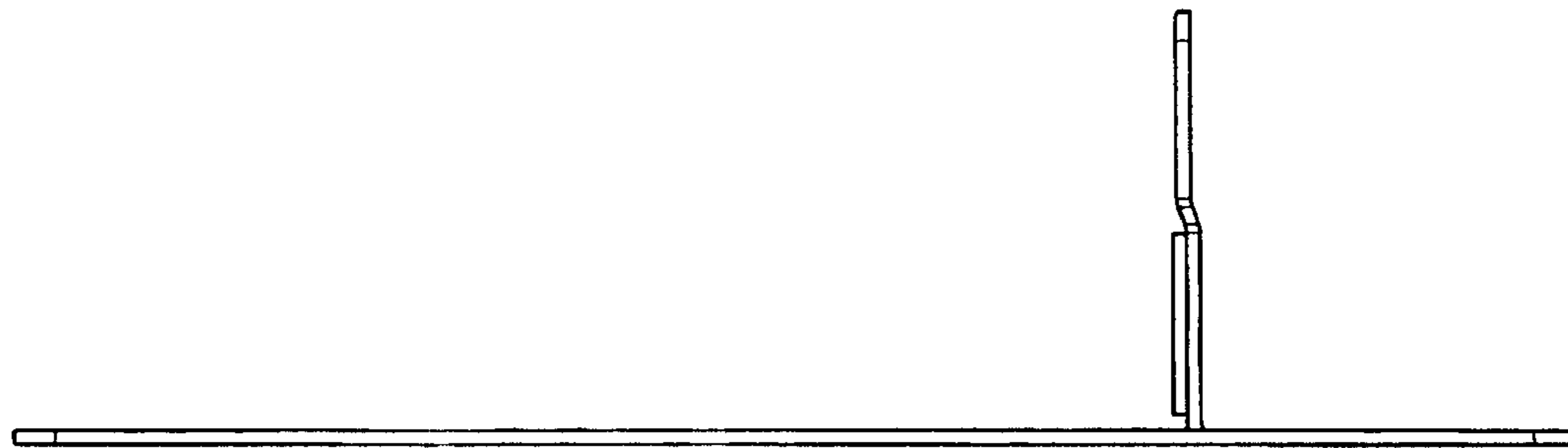


FIG. 6

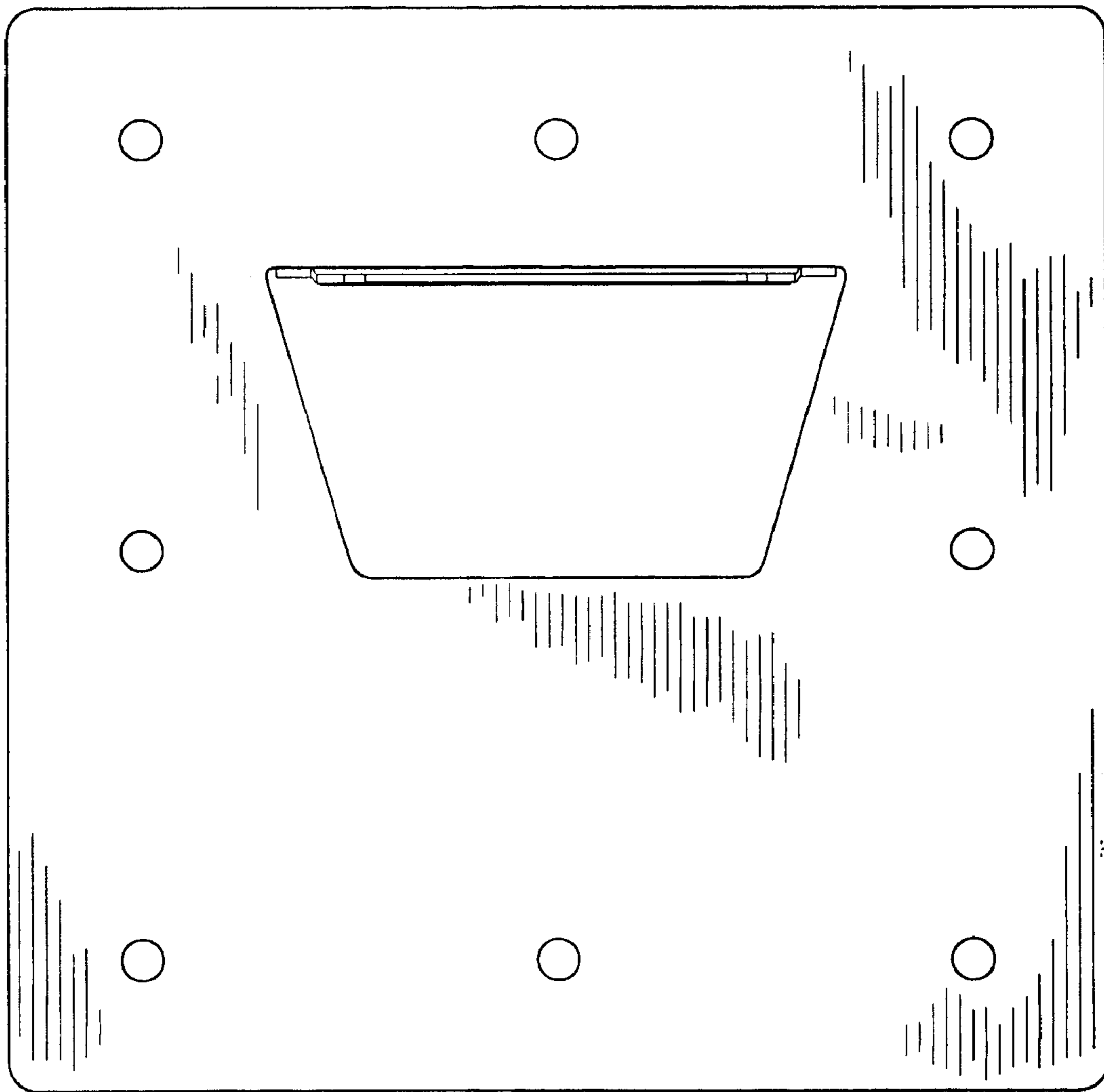


FIG. 7

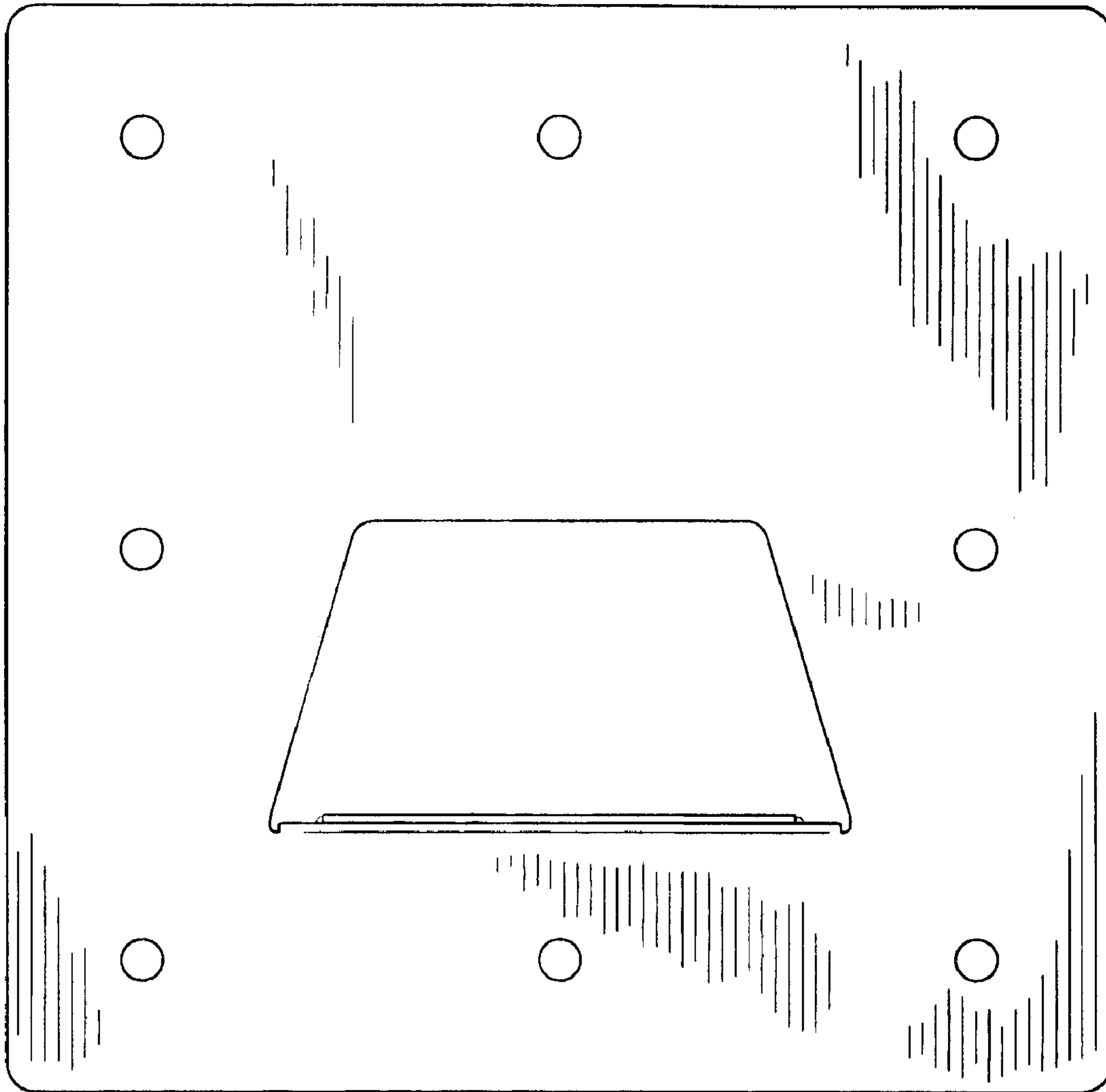


FIG. 8