



US00D520343S

(12) **United States Design Patent**  
**Powell**

(10) **Patent No.:** **US D520,343 S**

(45) **Date of Patent:** **\*\* May 9, 2006**

(54) **ANCHORING DEVICE**

(75) Inventor: **Michael John Powell**, Priorslee (GB)

(73) Assignee: **Access To Design Limited**, Shropshire (GB)

(\*\*) Term: **14 Years**

(21) Appl. No.: **29/192,298**

(22) Filed: **Oct. 22, 2003**

(30) **Foreign Application Priority Data**

Apr. 23, 2003 (GB) ..... 3012277

(51) **LOC (8) Cl.** ..... **08-05**

(52) **U.S. Cl.** ..... **D8/349**

(58) **Field of Classification Search** ..... D8/349,  
D8/42, 34, 382, 387, 18, 33-37; 81/3.37,  
81/3.29; D11/79; D3/62, 64; 7/152, 156  
See application file for complete search history.

(56) **References Cited**

**U.S. PATENT DOCUMENTS**

2,115,289	A	*	4/1938	Smythe	.....	81/3.37
D283,591	S	*	4/1986	Swanstrom	.....	D8/387
D335,072	S	*	4/1993	Gourhant	.....	D8/42
D347,775	S	*	6/1994	Seiler	.....	D8/34
D358,744	S	*	5/1995	Entwistle	.....	D8/42

D391,844	S	*	3/1998	Ropponen et al.	.....	D8/382
D392,179	S	*	3/1998	Ropponen et al.	.....	D8/387
D430,469	S	*	9/2000	Thuma	.....	D8/42
6,151,992	A	*	11/2000	Larimer	.....	81/3.29
6,823,760	B1	*	11/2004	Kilduff	.....	81/3.37

\* cited by examiner

*Primary Examiner*—Holly H. Baynham

(74) *Attorney, Agent, or Firm*—Nicholas A. Kees; Godfrey & Kahn, S.C.

(57) **CLAIM**

The ornamental design for an anchoring device, as shown and described.

**DESCRIPTION**

FIG. 1 is a perspective view of an anchoring device showing the new design in a first position;

FIG. 2 is a perspective view thereof, showing the new design in a second position;

FIG. 3 is a top plan view of the anchoring device shown in the first position;

FIG. 4 is a bottom plan view thereof;

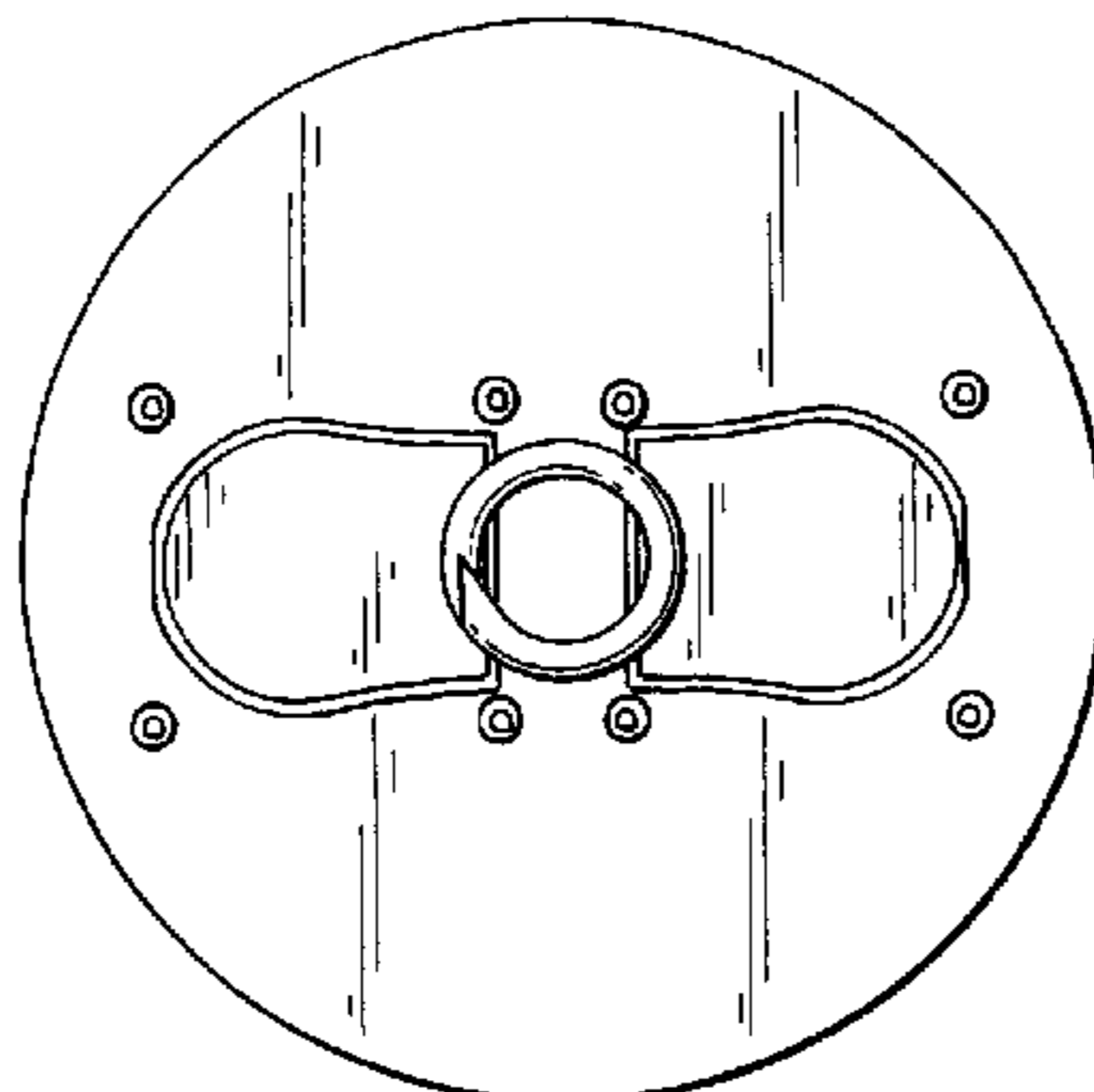
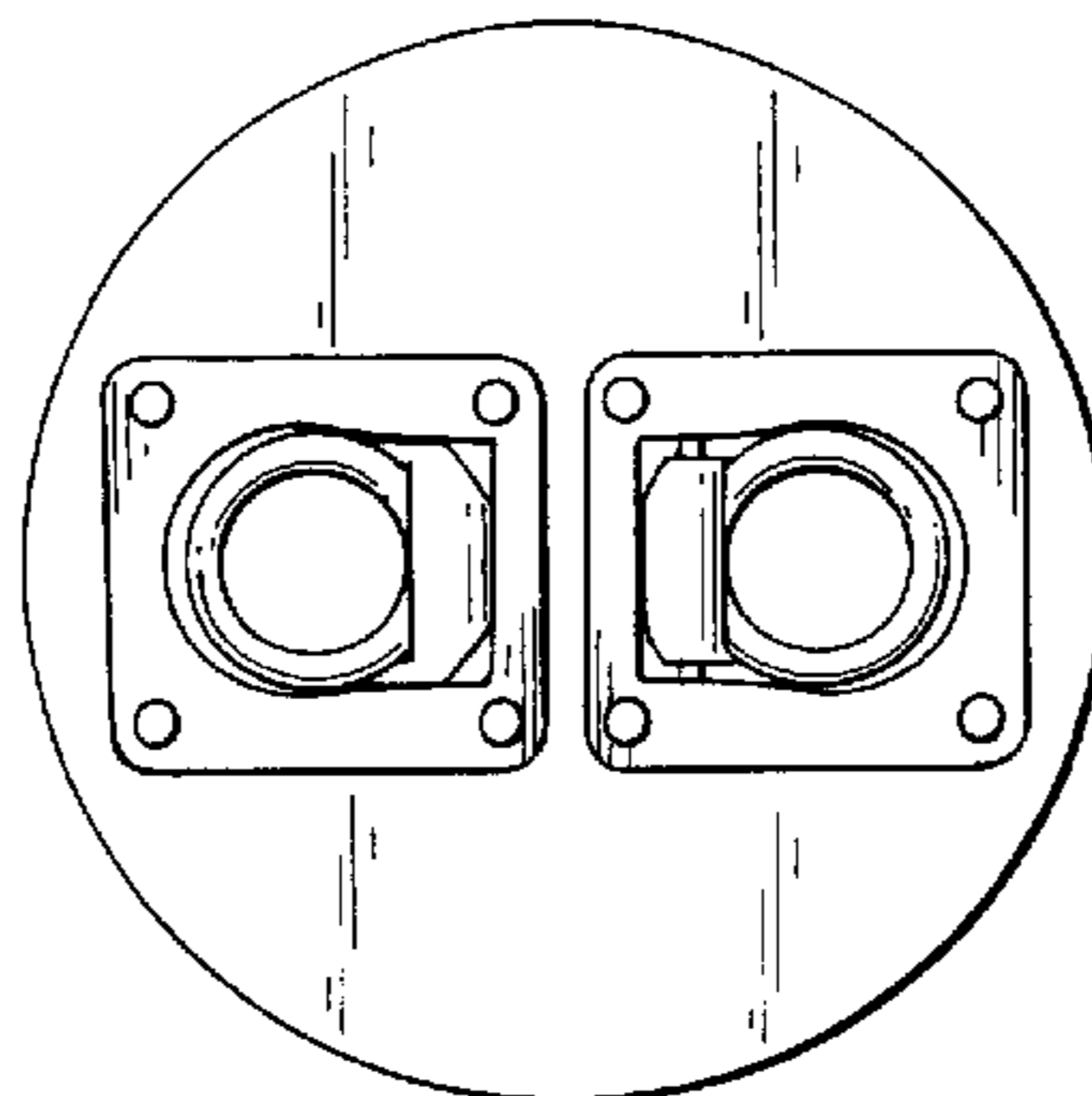
FIG. 5 is a front view thereof;

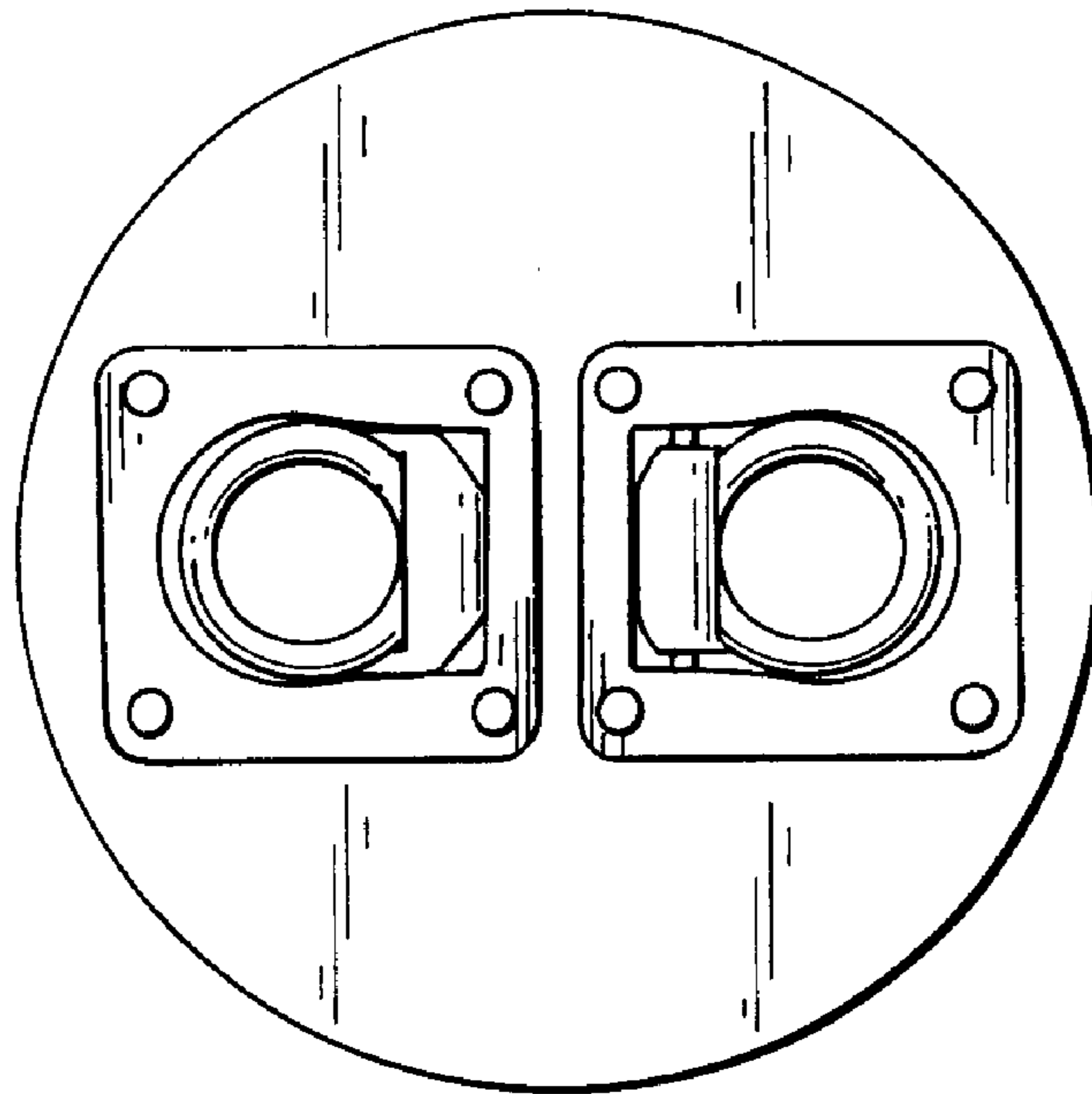
FIG. 6 is a right side view;

FIG. 7 is a rear side view of the anchoring device shown in the second position; and,

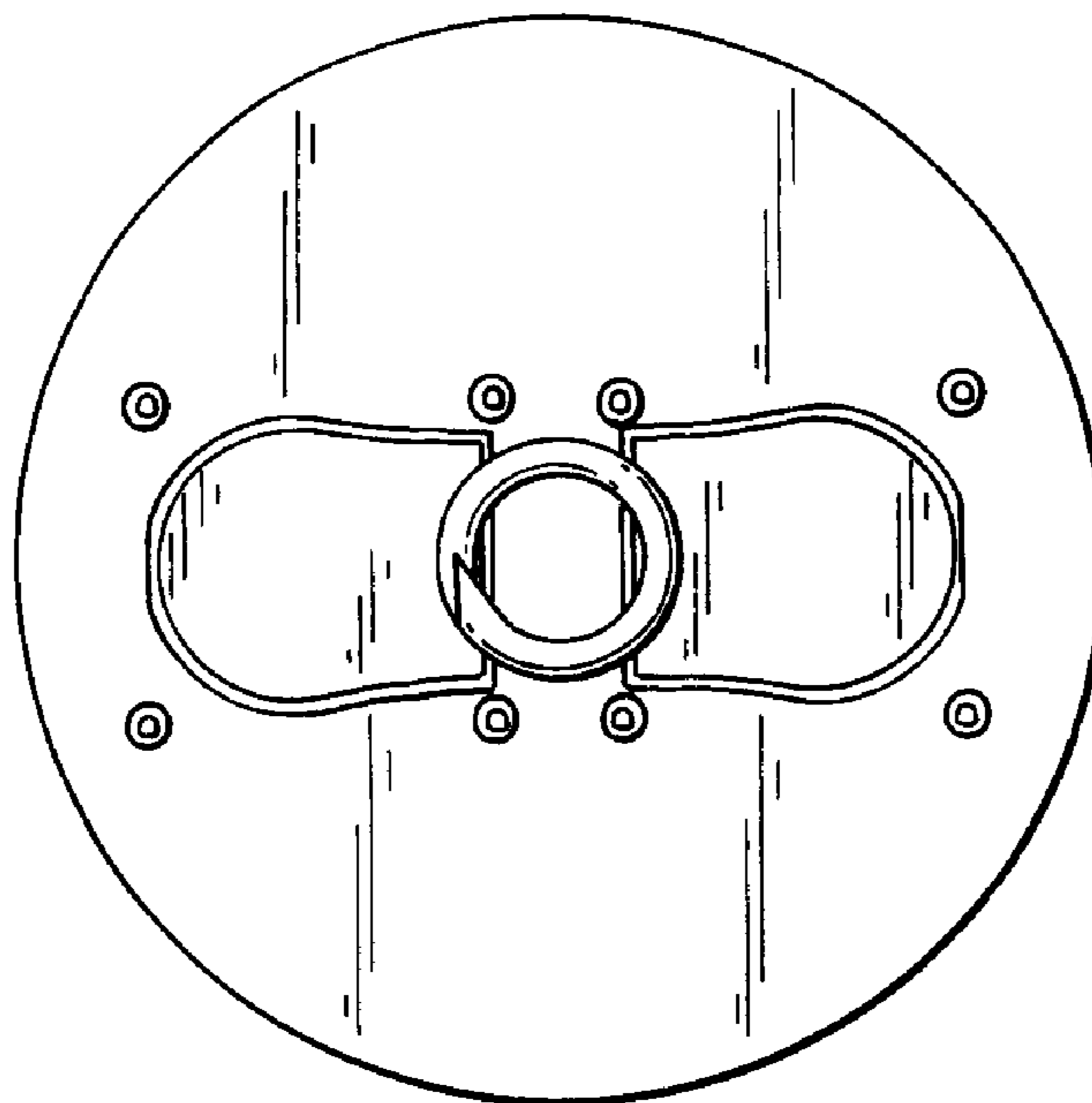
FIG. 8 is a left side view thereof.

**1 Claim, 4 Drawing Sheets**

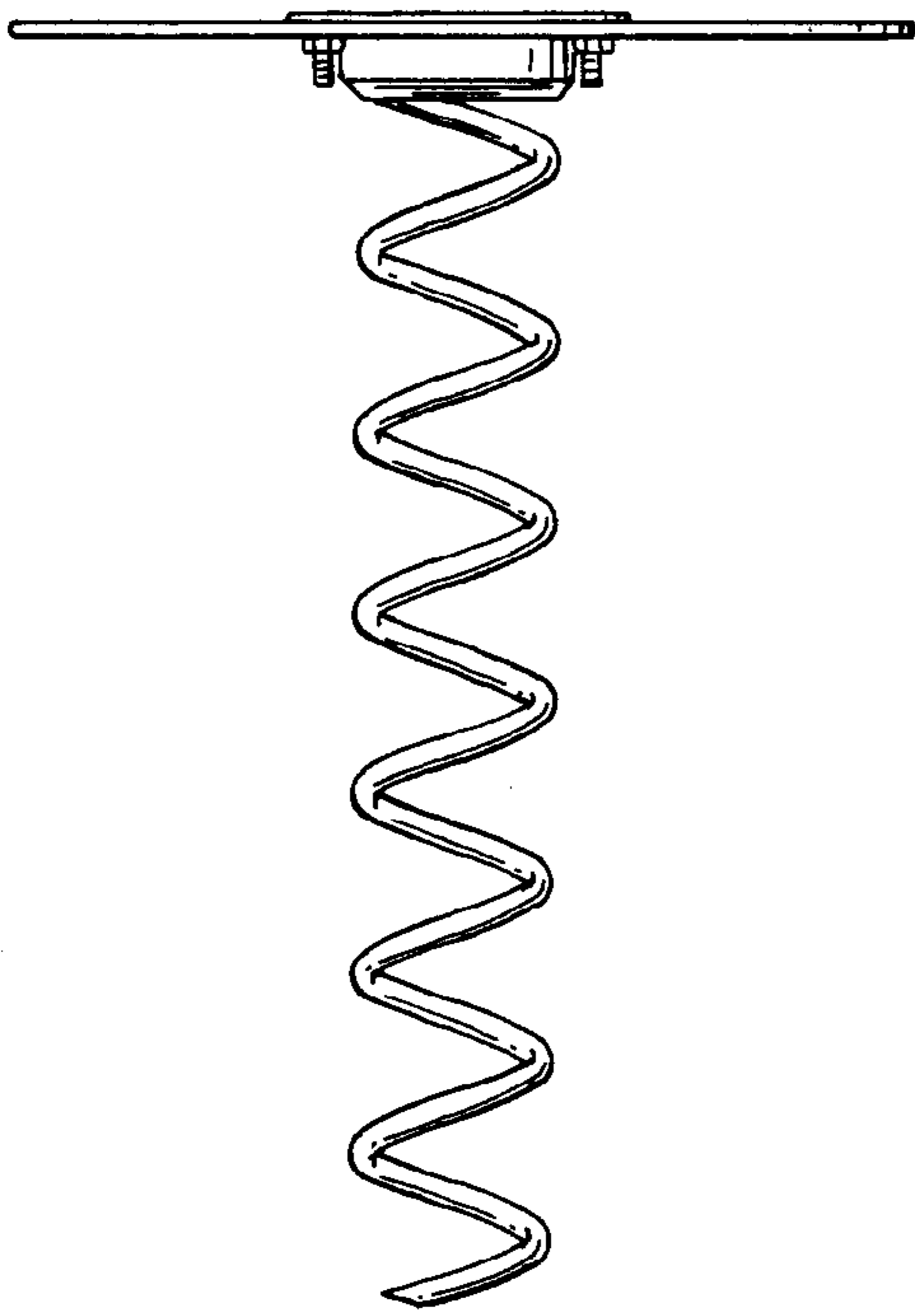




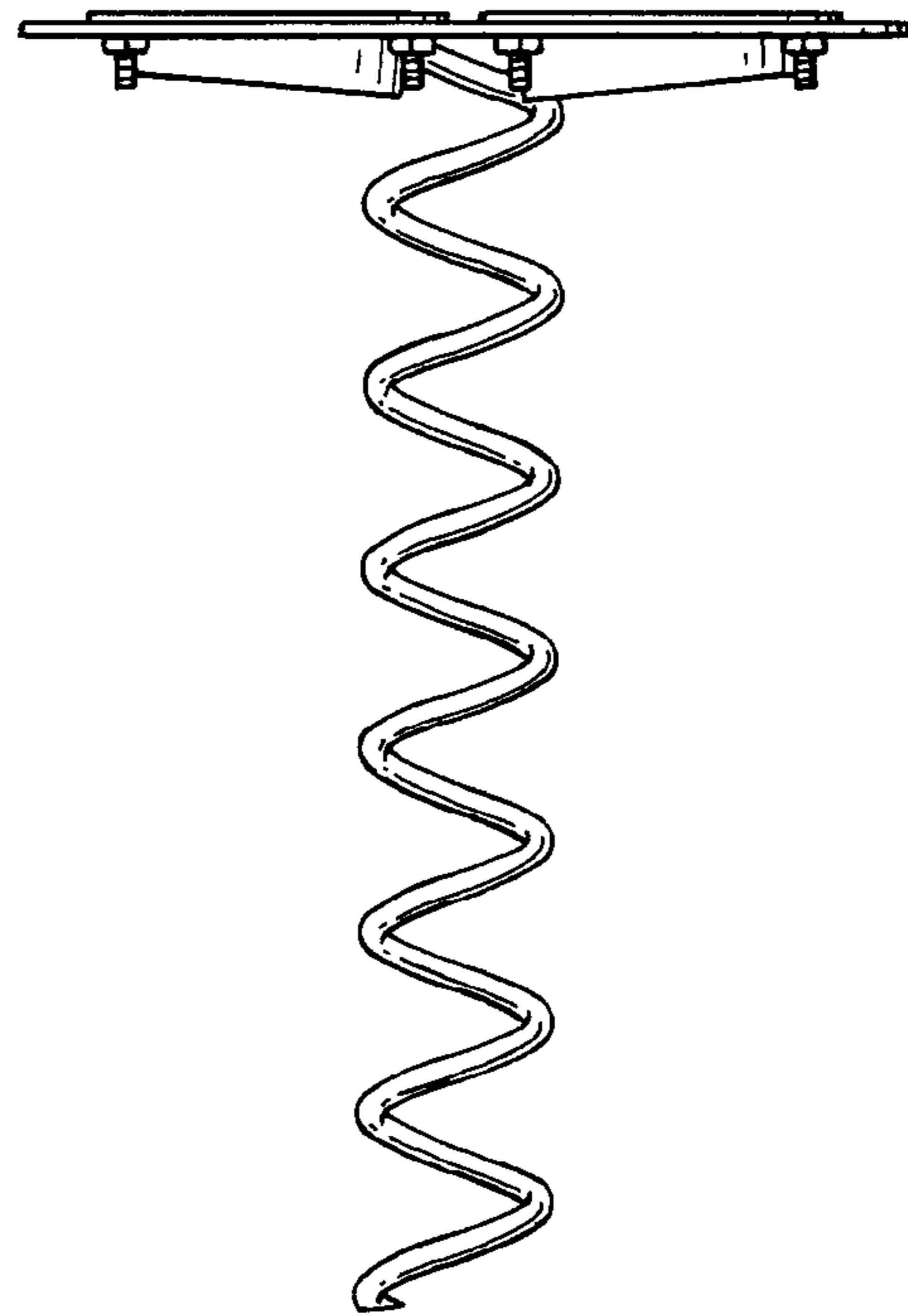
*Fig. 1*



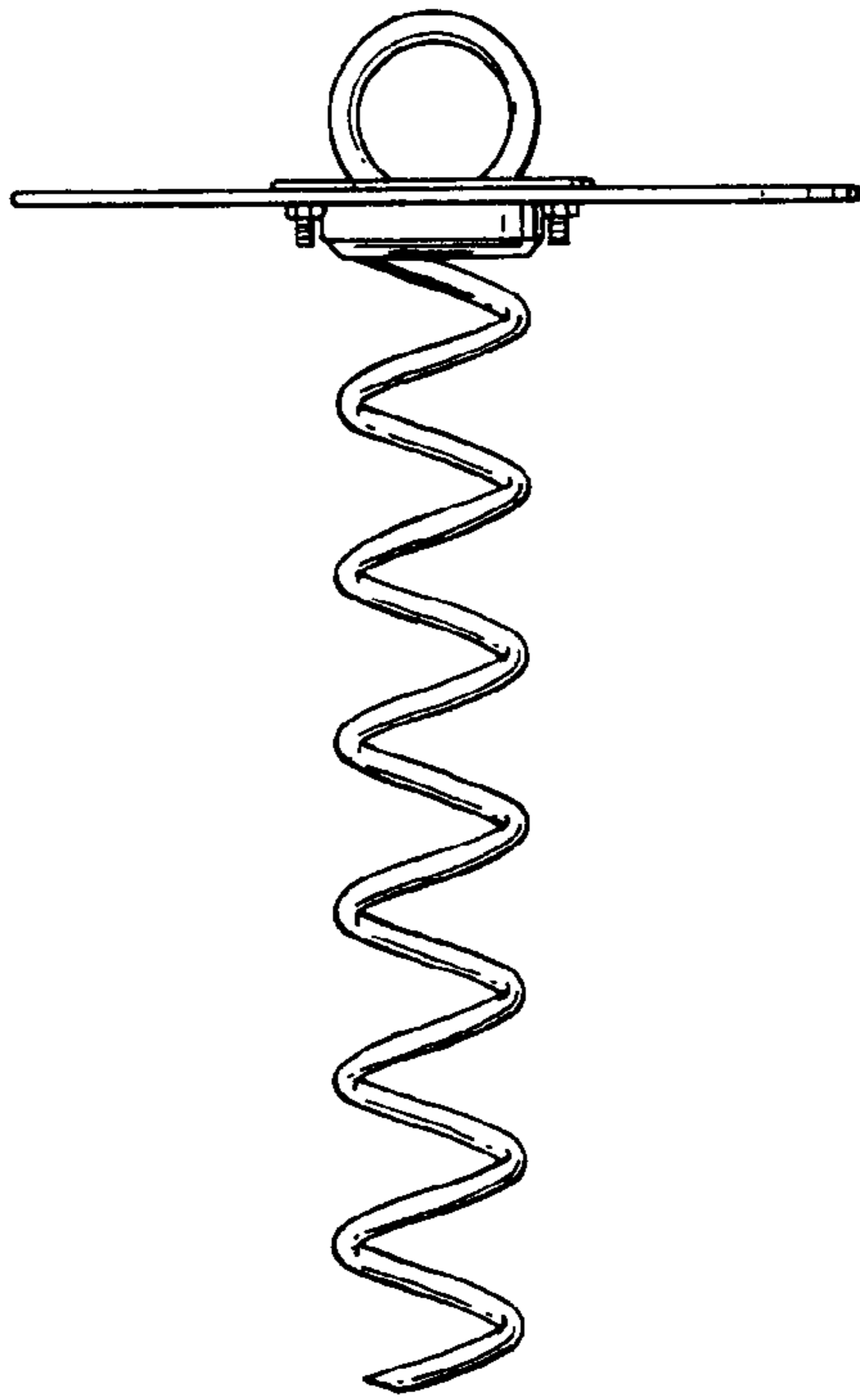
*Fig. 2*



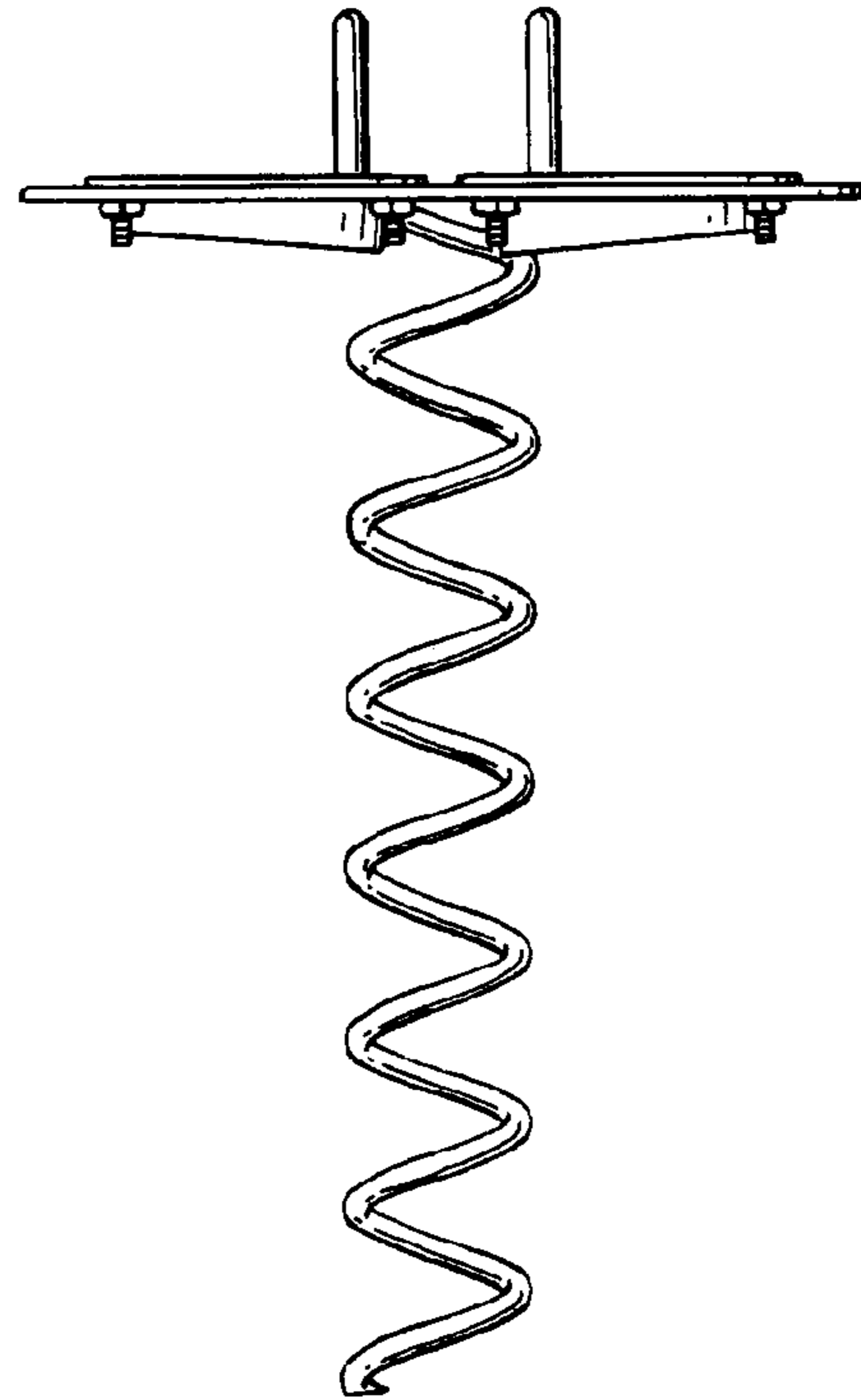
*Fig. 3*



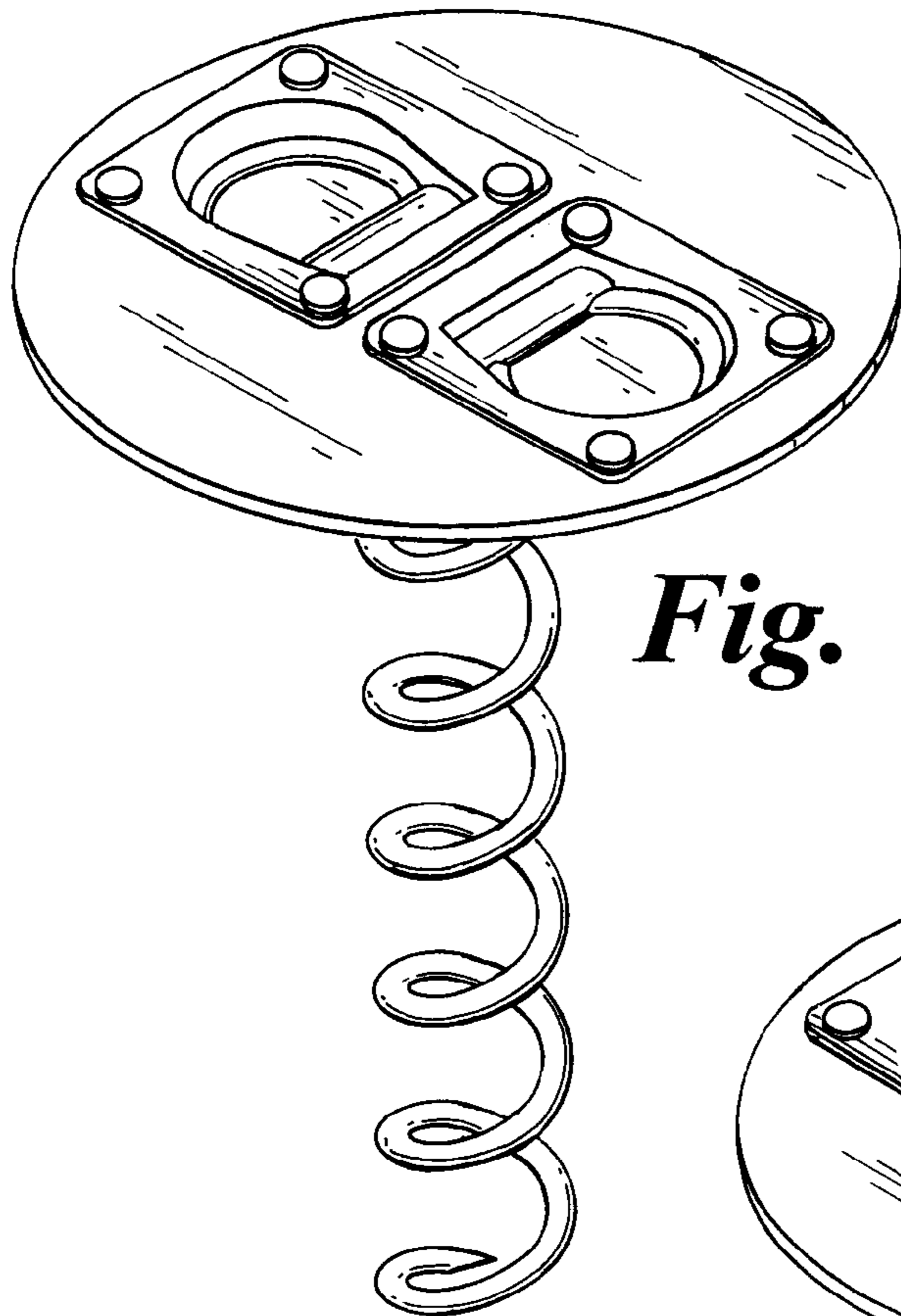
*Fig. 4*



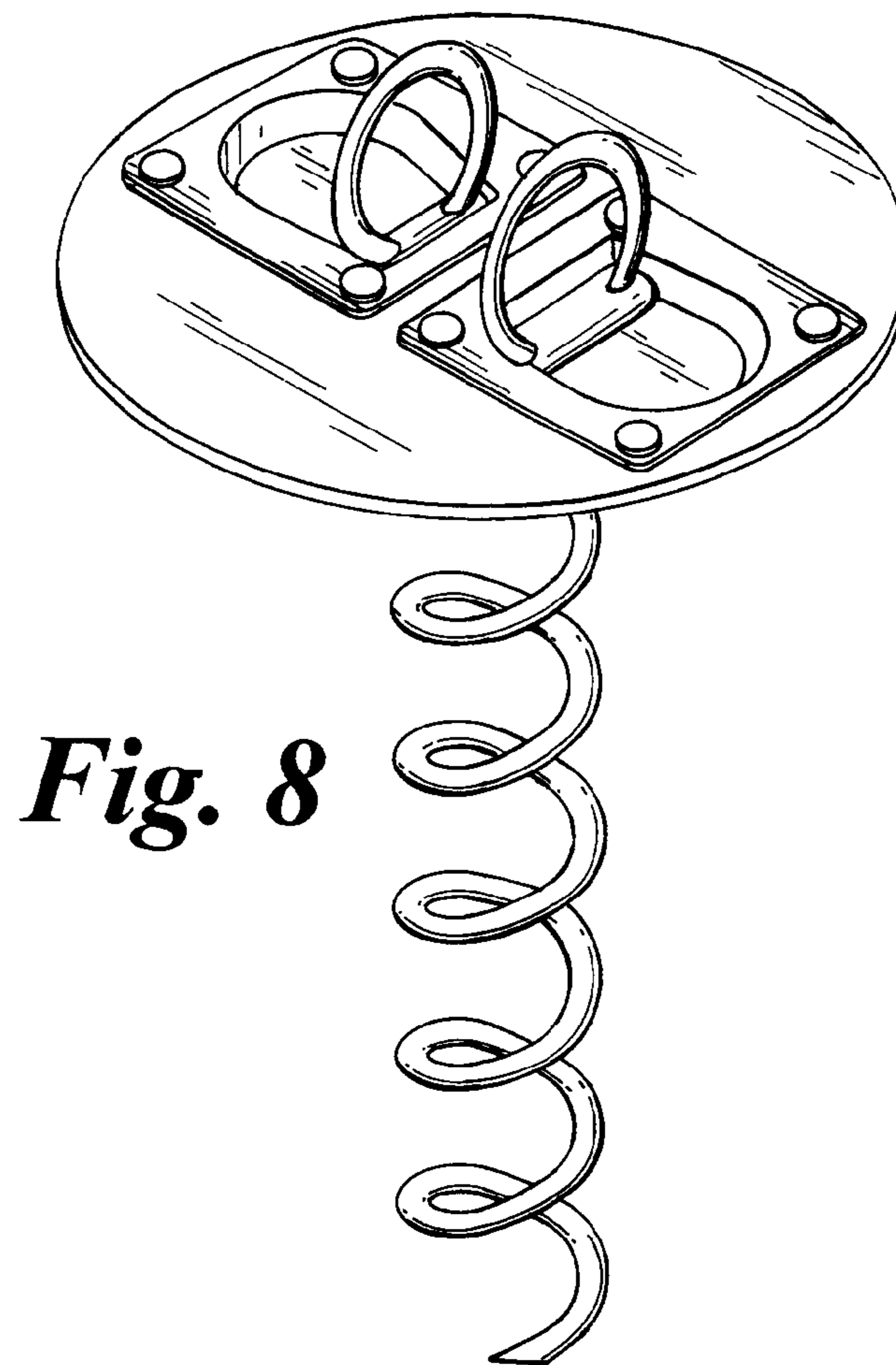
*Fig. 5*



*Fig. 6*



***Fig. 7***



***Fig. 8***