



US00D520341S

(12) **United States Design Patent**
Eenigenburg

(10) **Patent No.:** **US D520,341 S**

(45) **Date of Patent:** **** May 9, 2006**

(54) **TILT-LATCH**

(75) Inventor: **Mark B. Eenigenburg**, Lansing, IL
(US)

(73) Assignee: **Newell Operating Company**, Atlanta,
GA (US)

(**) Term: **14 Years**

(21) Appl. No.: **29/236,852**

(22) Filed: **Aug. 23, 2005**

Related U.S. Application Data

(62) Division of application No. 29/198,912, filed on Feb. 6,
2004.

(51) **LOC (8) Cl.** **08-07**

(52) **U.S. Cl.** **D8/343; D8/339**

(58) **Field of Classification Search** D8/339-343,
D8/331, 336, 300, 306, 307; 292/32, 42,
292/33, 35, 153, 138, 175, 283, 163-165,
292/DIG. 35, DIG. 30, DIG. 42; 70/51, 71,
70/74; 49/149, 153, 161, 180, 183, 176, 453
See application file for complete search history.

(56) **References Cited**

U.S. PATENT DOCUMENTS

16,228 A	12/1856	Copeland
1,781,729 A	11/1930	Major
2,568,273 A	9/1951	Major
2,965,935 A	12/1960	Olsen
3,080,621 A	3/1963	Mendelsohn
3,122,797 A	3/1964	Segre
3,841,674 A	10/1974	Bisbing et al.
3,850,464 A	11/1974	Bisbing et al.
4,167,835 A	9/1979	Nobes et al.
4,400,026 A	8/1983	Brown, Jr.
4,475,311 A	10/1984	Gibson
4,553,353 A	11/1985	Simpson
4,578,903 A	4/1986	Simpson
4,581,850 A	4/1986	Simpson
4,622,778 A	11/1986	Simpson
4,640,048 A	2/1987	Winner et al.

4,669,765 A	6/1987	Ullman
4,790,579 A	12/1988	Maxwell et al.
4,791,756 A	12/1988	Simpson
4,824,154 A	4/1989	Simpson
4,837,975 A	6/1989	Simpson
4,901,475 A	2/1990	Simpson
4,917,413 A	4/1990	Jason et al.
D313,161 S	12/1990	Westphal et al.
5,028,083 A	7/1991	Mischenko
5,068,932 A	12/1991	Chang
5,096,240 A	3/1992	Schultz
5,121,951 A	6/1992	Harbom et al.
5,121,952 A	6/1992	Jason
5,139,291 A	8/1992	Schultz
5,165,737 A	11/1992	Riegelman
5,301,989 A	4/1994	Dallmann et al.
D371,502 S	7/1996	Morris
5,536,052 A	7/1996	Maier
5,618,067 A	4/1997	Carlson et al.
D380,137 S	6/1997	Carlson et al.
D380,138 S *	6/1997	Carlson et al. D8/343
D380,370 S	7/1997	Carlson et al.

(Continued)

Primary Examiner—Prabhakar Deshmukh
(74) *Attorney, Agent, or Firm*—Wallenstein Wagner &
Rockey, Ltd.

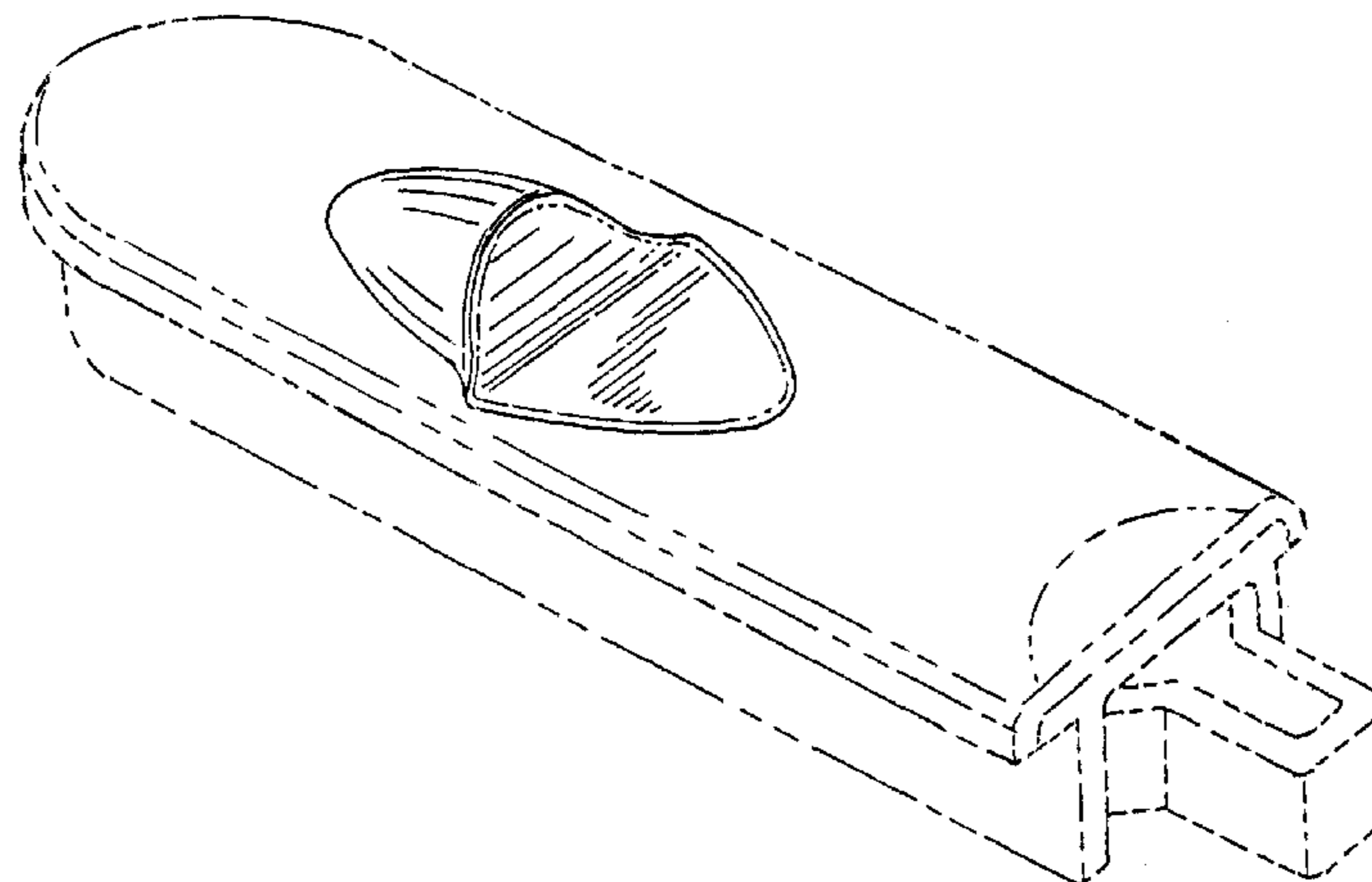
(57) **CLAIM**

I claim the ornamental design for a tilt-latch, as shown and
described.

DESCRIPTION

FIG. 1 is a perspective view of a tilt-latch showing my new
design;
FIG. 2 is a top plan view thereof;
FIG. 3 is a side elevational view thereof, the opposite side
elevational view being identical;
FIG. 4 is a front elevational view thereof; and,
FIG. 5 is a rear elevational view thereof.
The undisclosed bottom portion is plain and unornamented
and the broken lines are for illustrative purpose only and
form no part of the claimed design.

1 Claim, 1 Drawing Sheet



US D520,341 S

Page 2

U.S. PATENT DOCUMENTS

5,669,639	A	9/1997	Lawrence			
5,671,958	A	9/1997	Szapucki et al.			
D396,397	S	7/1998	Swan			
5,806,900	A	9/1998	Bratcher et al.			
5,829,196	A	* 11/1998	Maier	49/181		
D409,473	S	* 5/1999	Tieu	D8/342		
D411,094	S	6/1999	Schultz			
D411,095	S	6/1999	Schultz			
D411,797	S	7/1999	Schultz			
D414,674	S	10/1999	Schultz			
D415,671	S	10/1999	Schultz			
5,970,656	A	10/1999	Maier			
D416,468	S	11/1999	Schultz			
D416,780	S	11/1999	Schultz			
5,996,283	A	12/1999	Maier			
6,021,603	A	2/2000	Prete et al.			
6,155,615	A	12/2000	Schultz			
D442,847	S	5/2001	Schultz et al.			
D442,848	S	5/2001	Schultz et al.			
D444,373	S	7/2001	Schultz et al.			
D452,810	S	* 1/2002	Anderson	D8/339		
D456,688	S	* 5/2002	Polowinczak et al.	D8/302		
D465,401	S	* 11/2002	Polowinczak	D8/350		
D495,237	S	* 8/2004	Tozer	D8/343		
D503,083	S	* 3/2005	Schlack	D8/331		

* cited by examiner

