



US00D520338S

(12) **United States Design Patent**
Robert et al.

(10) **Patent No.:** **US D520,338 S**

(45) **Date of Patent:** **** May 9, 2006**

(54) **SLIDING LOCK**

(75) Inventors: **Hélène Robert**, Drummondville (CA);
Guillaume Audet, Drummondville
(CA)

(73) Assignee: **Canimex, Inc.**, Quebec (CA)

(**) Term: **14 Years**

(21) Appl. No.: **29/225,614**

(22) Filed: **Mar. 18, 2005**

(51) **LOC (8) Cl.** **08-07**

(52) **U.S. Cl.** **D8/339**

(58) **Field of Classification Search** D8/330,
D8/331, 336, 339-343, 301; 70/14, 114,
70/117, 118, 129, 57, 57.1, 58, 232, 236;
292/4, 32, 33, 57, 137, 292

See application file for complete search history.

(56) **References Cited**

U.S. PATENT DOCUMENTS

4,553,353	A	*	11/1985	Simpson	49/161
D294,454	S	*	3/1988	Loudenslager	D8/341
5,139,291	A	*	8/1992	Schultz	292/42
5,307,653	A	*	5/1994	Davis	70/56
D354,428	S	*	1/1995	Magnusson	D8/331
D381,253	S	*	7/1997	Guidotti	D8/331
D424,405	S	*	5/2000	Schlack et al.	D8/331

6,247,341	B1	*	6/2001	Prevot et al.	70/101
6,351,975	B1	*	3/2002	Valdes	70/56
D455,063	S	*	4/2002	Anderson	D8/339
6,477,872	B1	*	11/2002	Denton, Jr.	70/129
D485,154	S	*	1/2004	Chen	D8/331
D490,685	S		6/2004	Beaudoin et al.		
D498,407	S	*	11/2004	Layton	D8/331

* cited by examiner

Primary Examiner—Prabhakar Deshmukh

(74) *Attorney, Agent, or Firm*—Merchant & Gould P.C.

(57) **CLAIM**

The ornamental design for a sliding lock, as shown and described.

DESCRIPTION

FIG. 1 is a front perspective view of a sliding lock showing our new design, the sliding lock being shown with its latch in a locking configuration.

FIG. 2 is a rear perspective view thereof.

FIG. 3 is a front side view thereof.

FIG. 4 is a rear side view thereof.

FIG. 5 is a bottom plan view thereof.

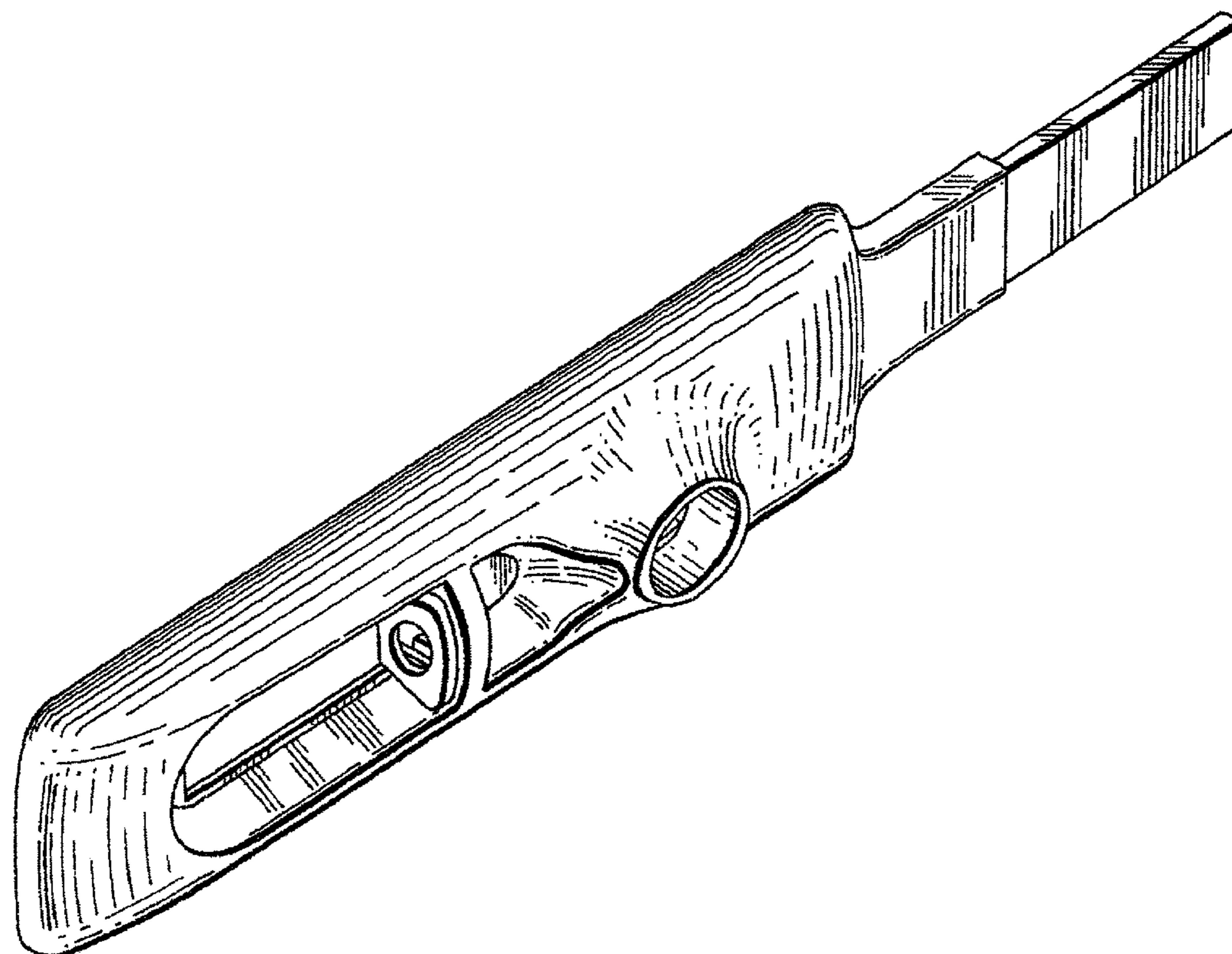
FIG. 6 is a top plan view thereof.

FIG. 7 is a right side view thereof; and,

FIG. 8 is a left side view thereof.

FIGS. 2 and 3 are drawn in an enlarged scale for clarity.

1 Claim, 7 Drawing Sheets



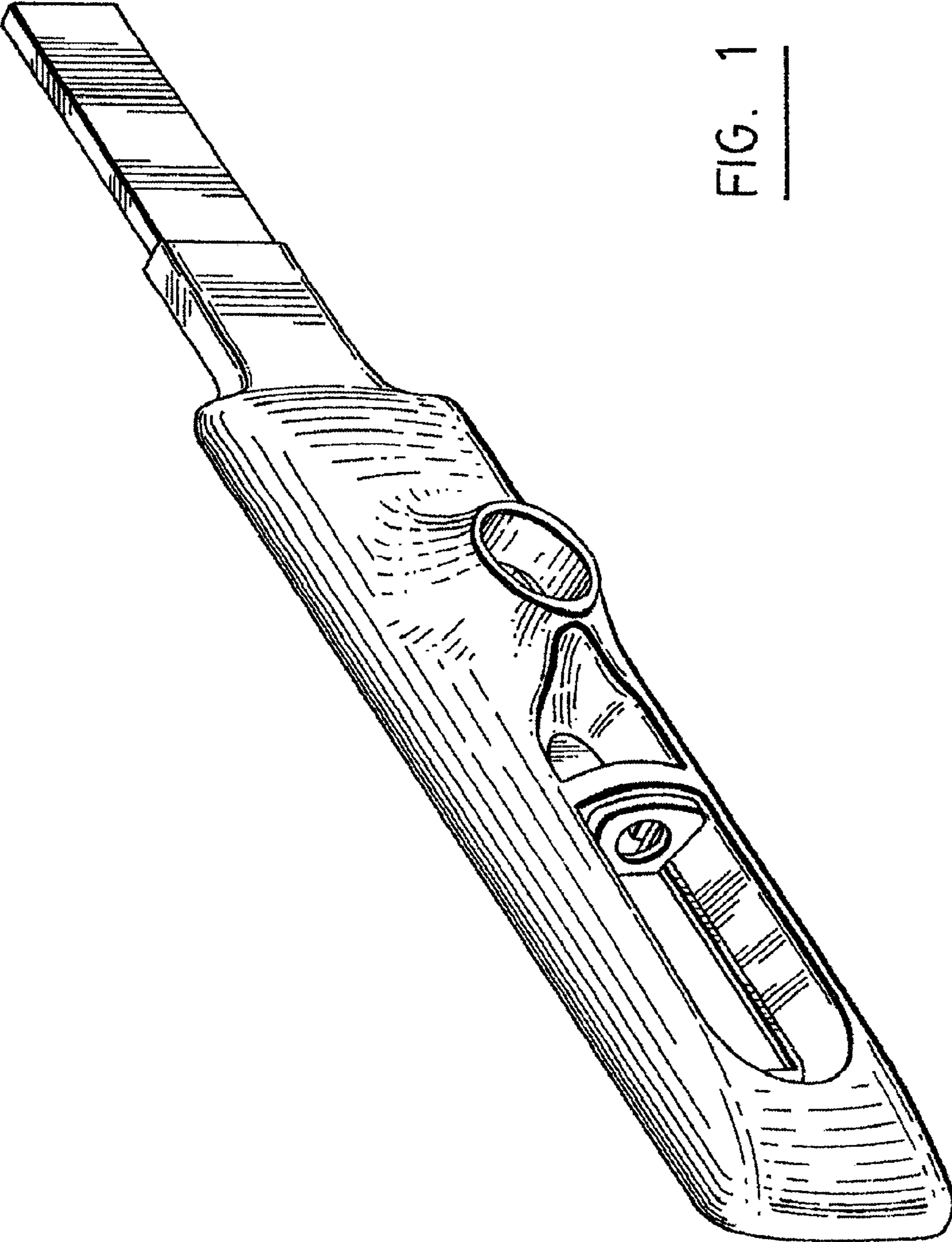


FIG. 1

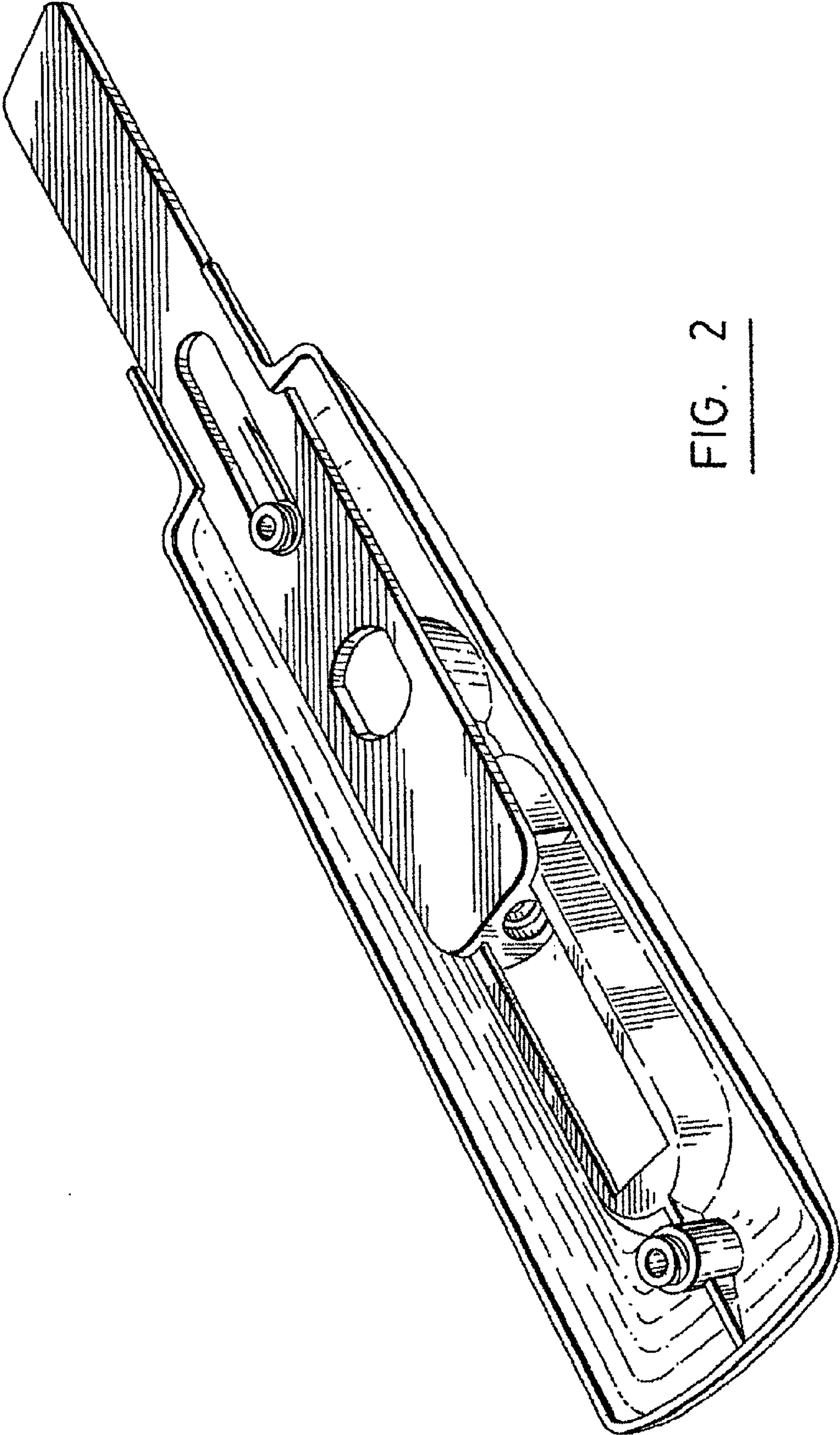


FIG. 2

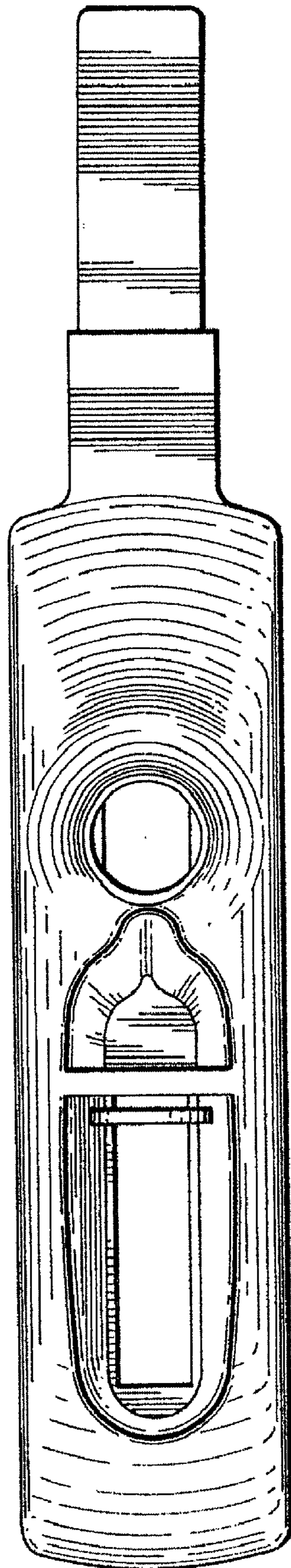


FIG. 3

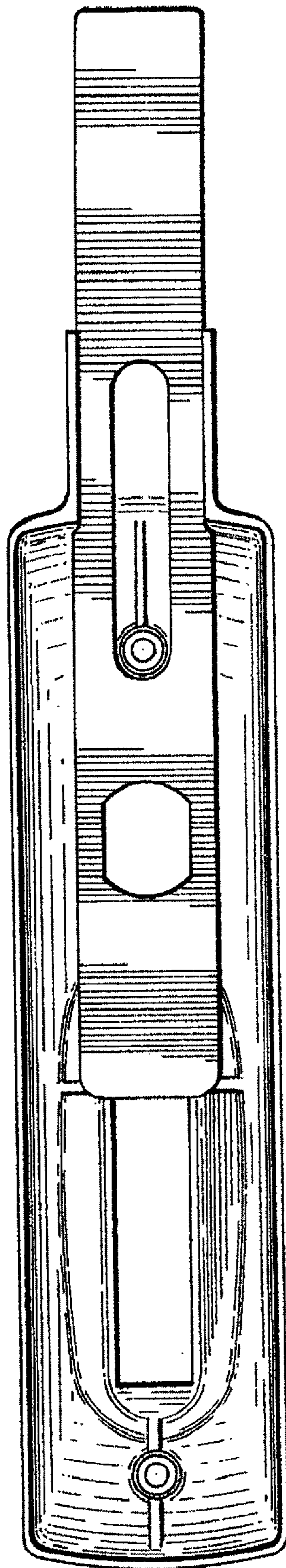


FIG. 4

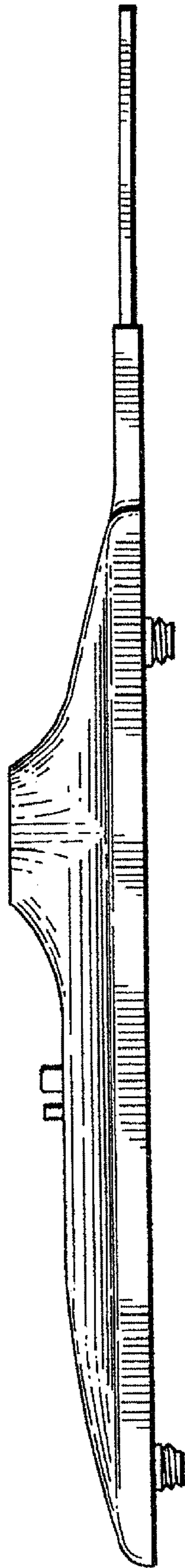


FIG. 5

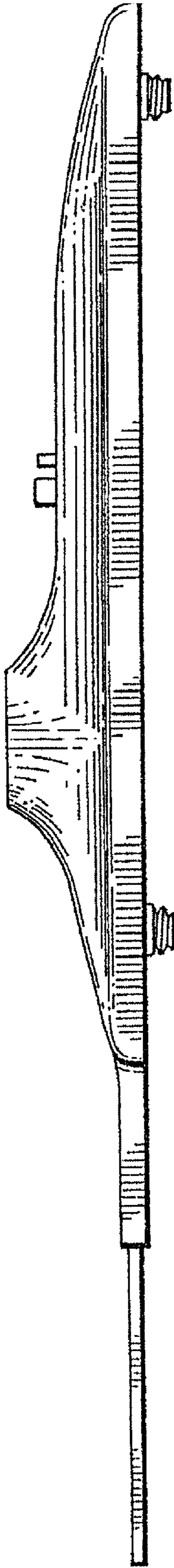


FIG. 6

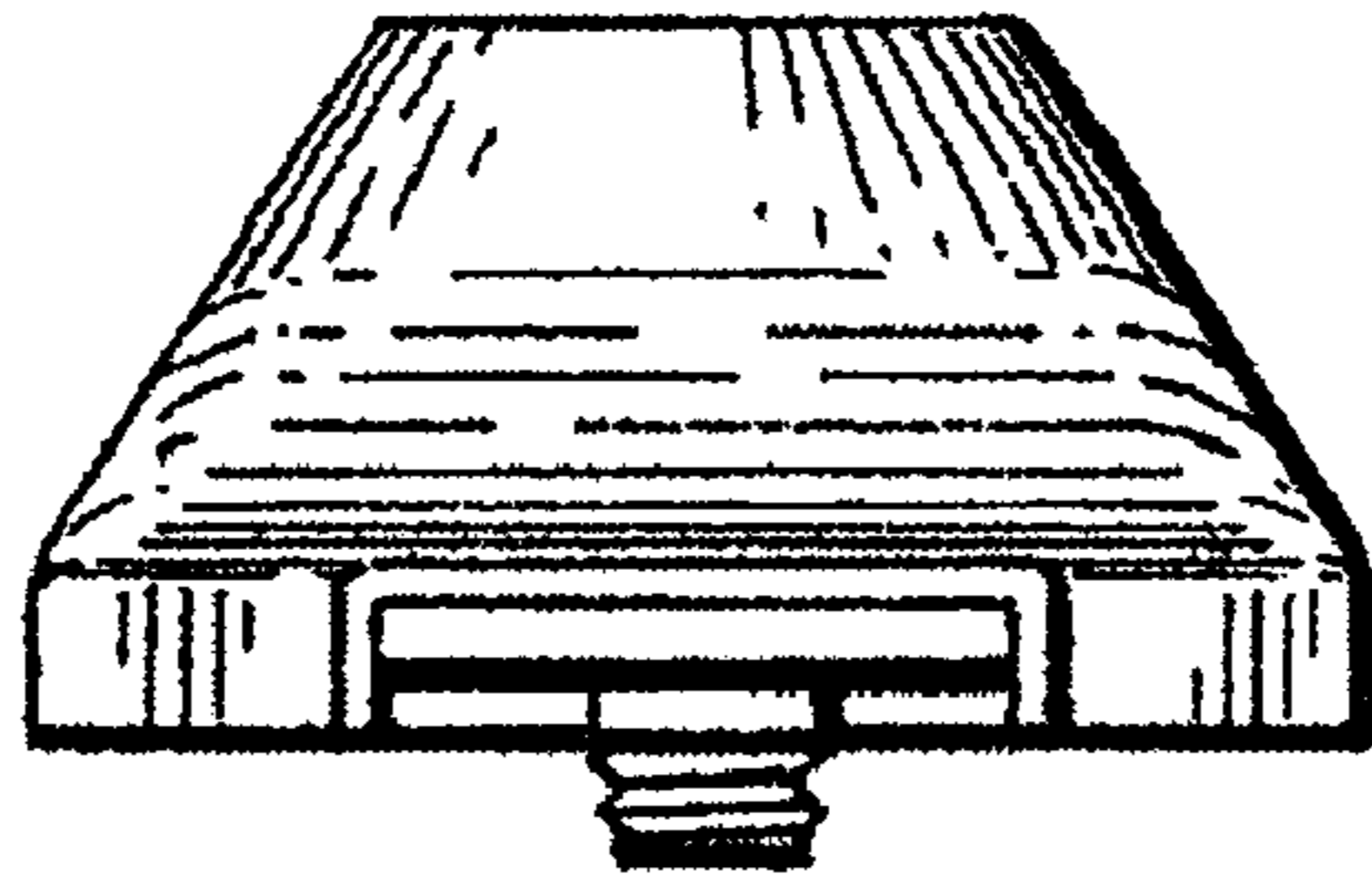


FIG. 7

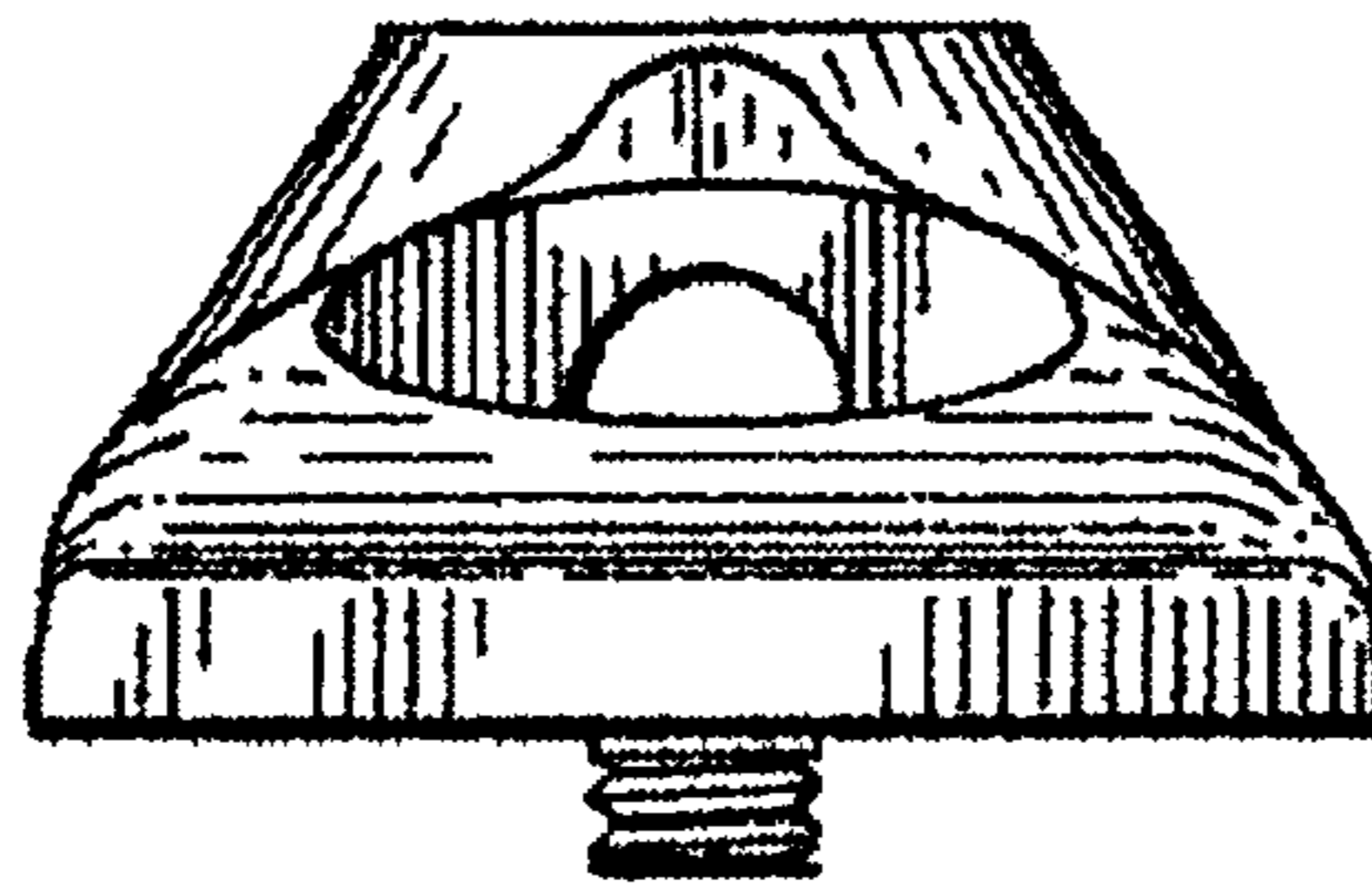


FIG. 8
