



US00D520337S

(12) **United States Design Patent**
Alvarado

(10) **Patent No.:** **US D520,337 S**

(45) **Date of Patent:** **** May 9, 2006**

(54) **FLUSH HINGE BASE**

(75) Inventor: **George Alvarado**, Whittier, CA (US)

(73) Assignee: **S.P.E.P. Acquisition Corp.**, Rancho Dominguez, CA (US)

(**) Term: **14 Years**

(21) Appl. No.: **29/146,562**

(22) Filed: **Aug. 10, 2001**

(51) **LOC (8) Cl.** **08-06**

(52) **U.S. Cl.** **D8/323**

(58) **Field of Classification Search** D8/323-329;
16/387, DIG. 13, DIG. 24, DIG. 40, DIG. 43,
16/231, 241, 380, 50; 4/236, 240
See application file for complete search history.

(56) **References Cited**

U.S. PATENT DOCUMENTS

1,009,108	A	*	11/1911	Soss	16/366
D111,157	S	*	9/1938	Schrader	D8/329
2,566,872	A	*	9/1951	Bernhardt	16/387
3,972,090	A	*	8/1976	Holmes	16/50
4,314,382	A	*	2/1982	Ginsburg et al.	4/236
4,881,298	A	*	11/1989	Turnbull	16/380

6,484,363 B1 * 11/2002 Chung 16/241

* cited by examiner

Primary Examiner—Louis S. Zarfes

Assistant Examiner—Deanne Levy

(74) *Attorney, Agent, or Firm*—Christie, Parker & Hale, LLP

(57) **CLAIM**

The ornamental design for flush hinge base, as shown and described.

DESCRIPTION

FIG. 1 is a top left perspective view of the flush hinge base of the invention;

FIG. 2 is a top plan view of the flush hinge base of FIG. 1. FIG. 3 is a left side view of the flush hinge base of FIG. 1, the right side view being a mirror image thereof.

FIG. 4 is a bottom plan view of the flush hinge base of FIG. 1.

FIG. 5 is a rear view of the flush hinge base of FIG. 1.

FIG. 6 is a front view of the flush hinge base of FIG. 1; and, FIG. 7 is a top left perspective view of the flush hinge base of the invention, showing a latch portion in phantom connected thereto.

The broken line showing of the latch portion is for illustrative purposes only and forms no part of the claimed design.

1 Claim, 5 Drawing Sheets

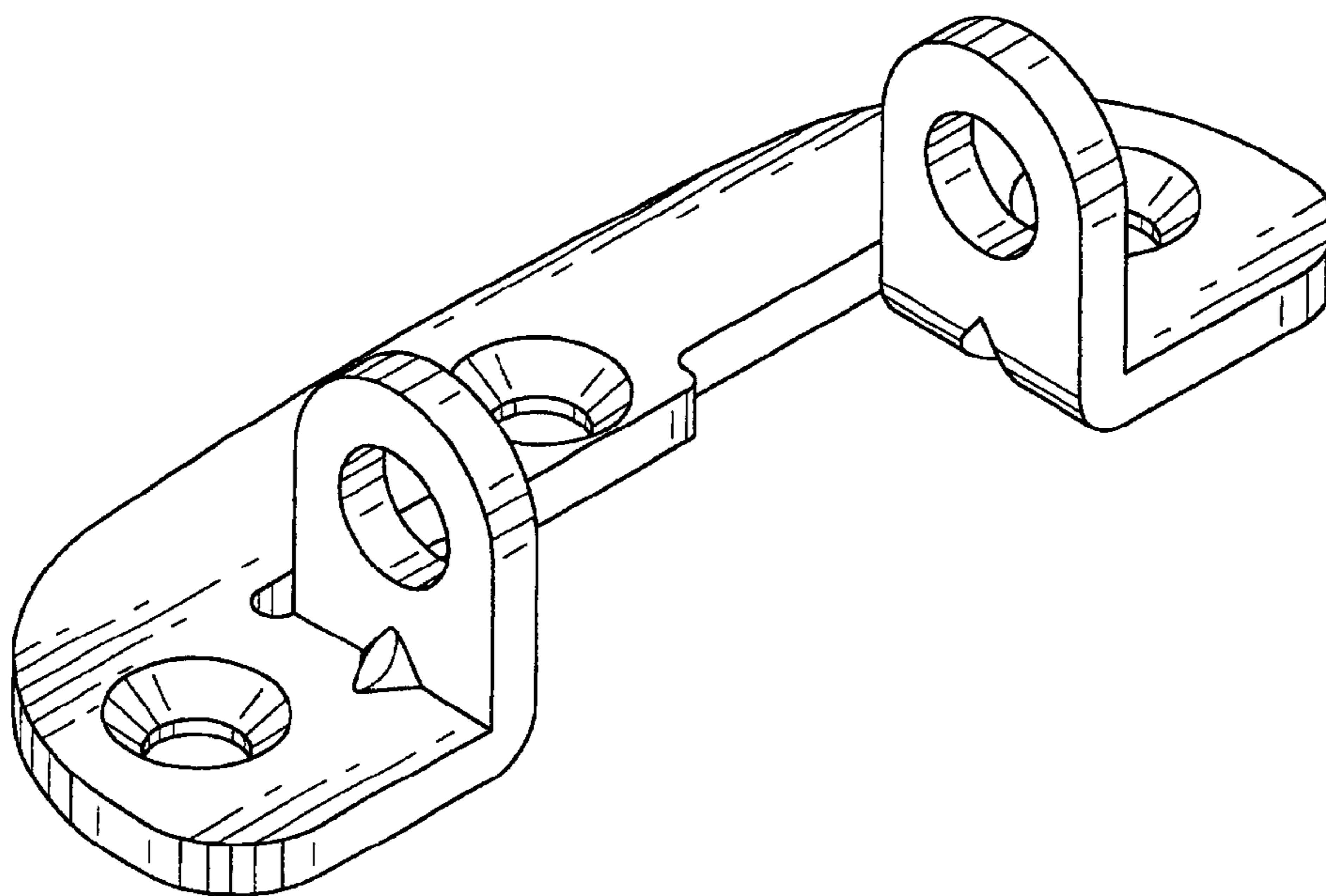


FIG. 1

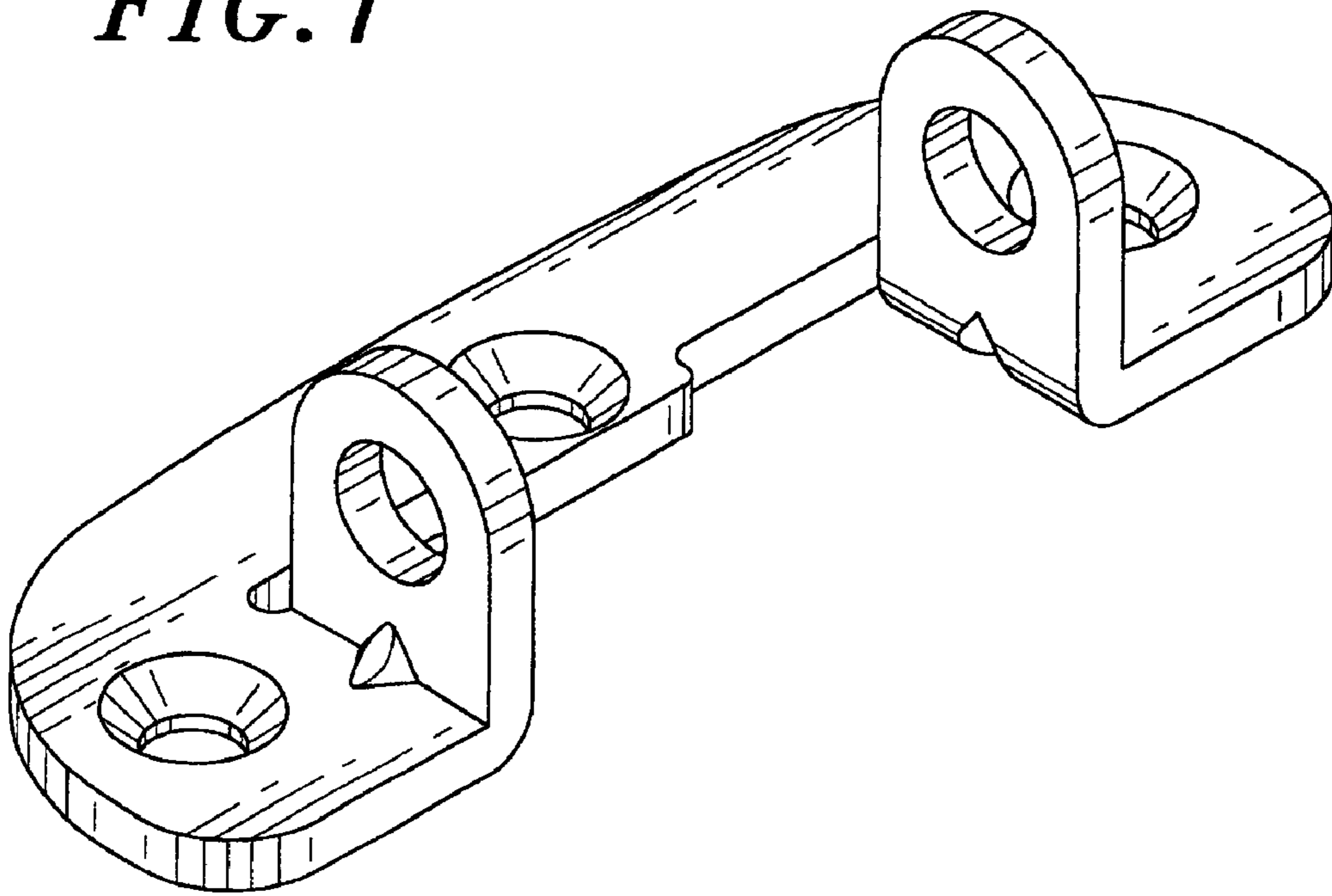


FIG. 2

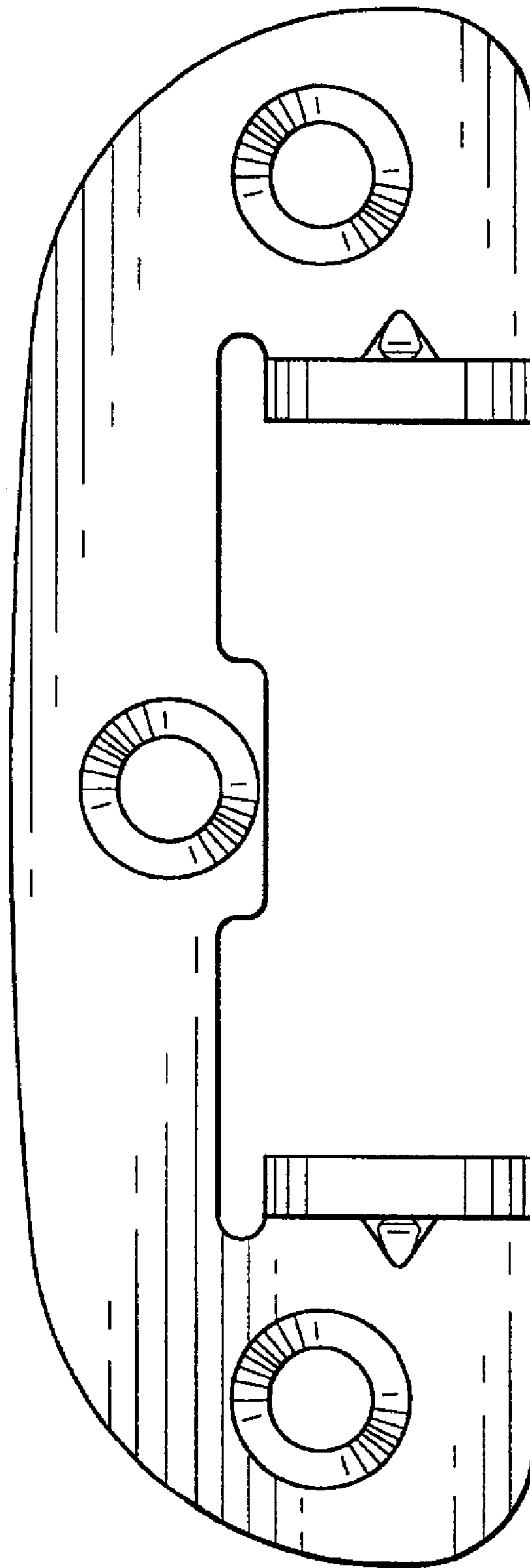


FIG. 3

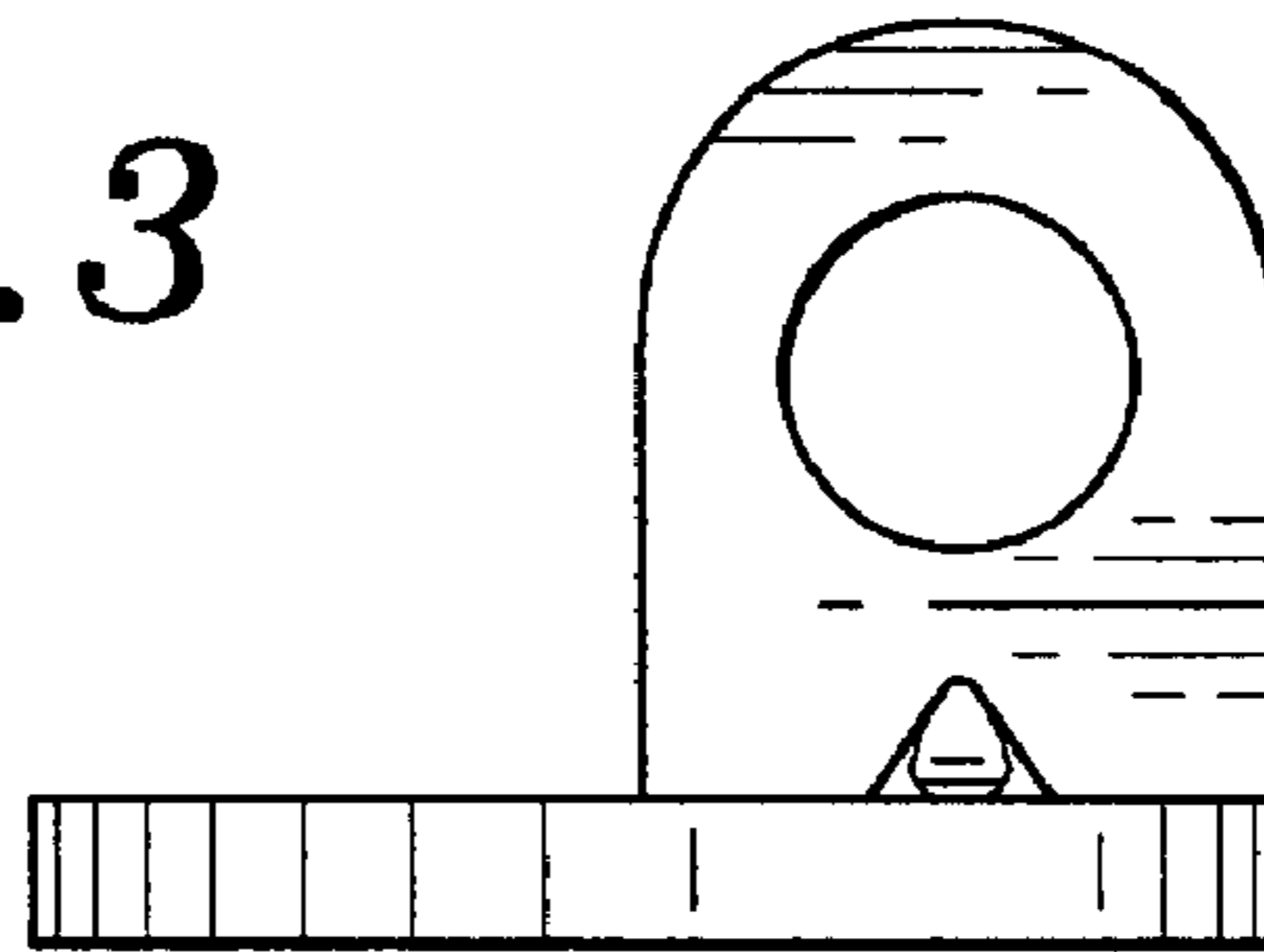
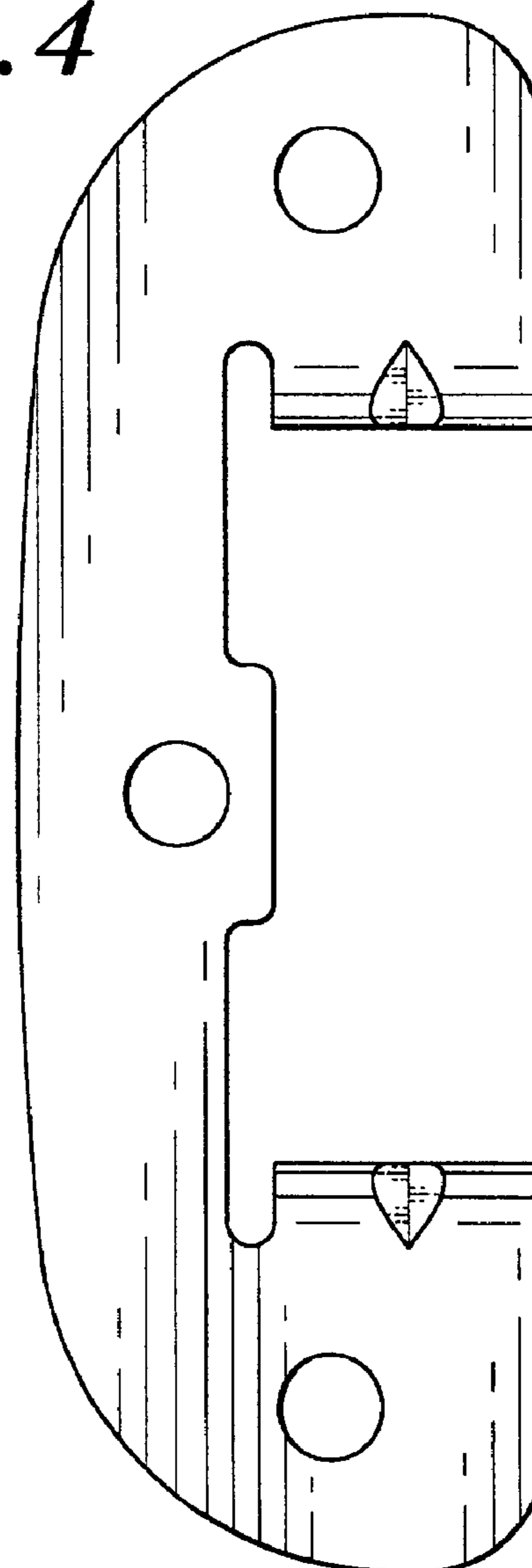


FIG. 4



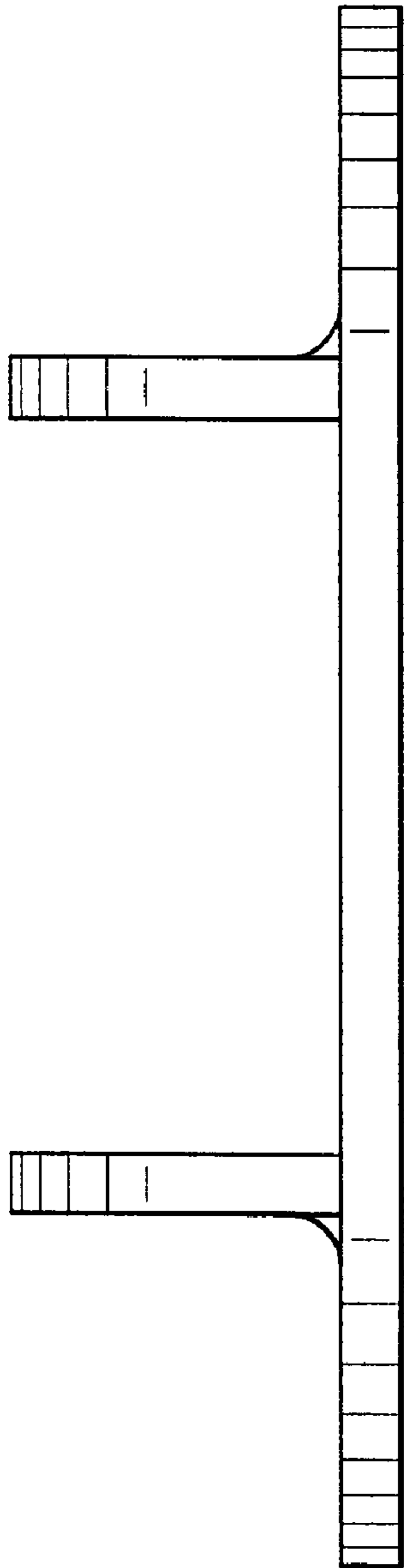


FIG. 5

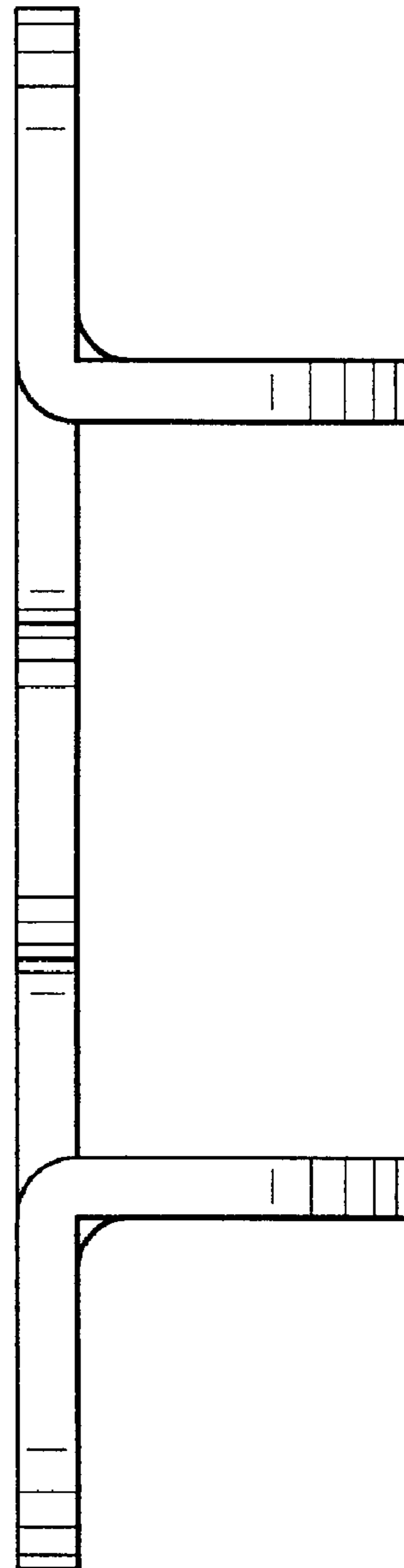


FIG. 6

FIG. 7

