



US00D520335S

(12) **United States Design Patent**
Gorman

(10) **Patent No.:** **US D520,335 S**

(45) **Date of Patent:** **** May 9, 2006**

(54) **COMBINED PUSHDOWN/KEEPER FOR DOUBLE HUNG WINDOW**

(75) Inventor: **Christopher Gorman**, Puyallup, WA (US)

(73) Assignee: **Milgard Manufacturing Incorporated**, Tacoma, WA (US)

(**) Term: **14 Years**

(21) Appl. No.: **29/188,687**

(22) Filed: **Aug. 21, 2003**

(51) **LOC (8) Cl.** **08-06**

(52) **U.S. Cl.** **D8/314**

(58) **Field of Classification Search** D8/400, D8/499, 313, 314, 300, 305; 16/11 R, 124
See application file for complete search history.

(56) **References Cited**

U.S. PATENT DOCUMENTS

D187,463 S	*	3/1960	Murphy	D8/314
D369,087 S	*	4/1996	Decursu et al.	D8/314
D414,100 S	*	9/1999	O'Neil	D8/314
D429,140 S	*	8/2000	Schacht et al.	D8/314

* cited by examiner

Primary Examiner—Brian N Vinson

(74) *Attorney, Agent, or Firm*—Carlson, Gaskey & Olds

(57) **CLAIM**

The ornamental design for a combined pushdown/keeper for double hung window, as shown and described.

DESCRIPTION

FIG. 1 is a perspective view of the combined pushdown/keeper;

FIG. 2 is a top view of the of the combined pushdown/keeper for double hung window;

FIG. 3 is a lower view of the combined pushdown/keeper for double hung window;

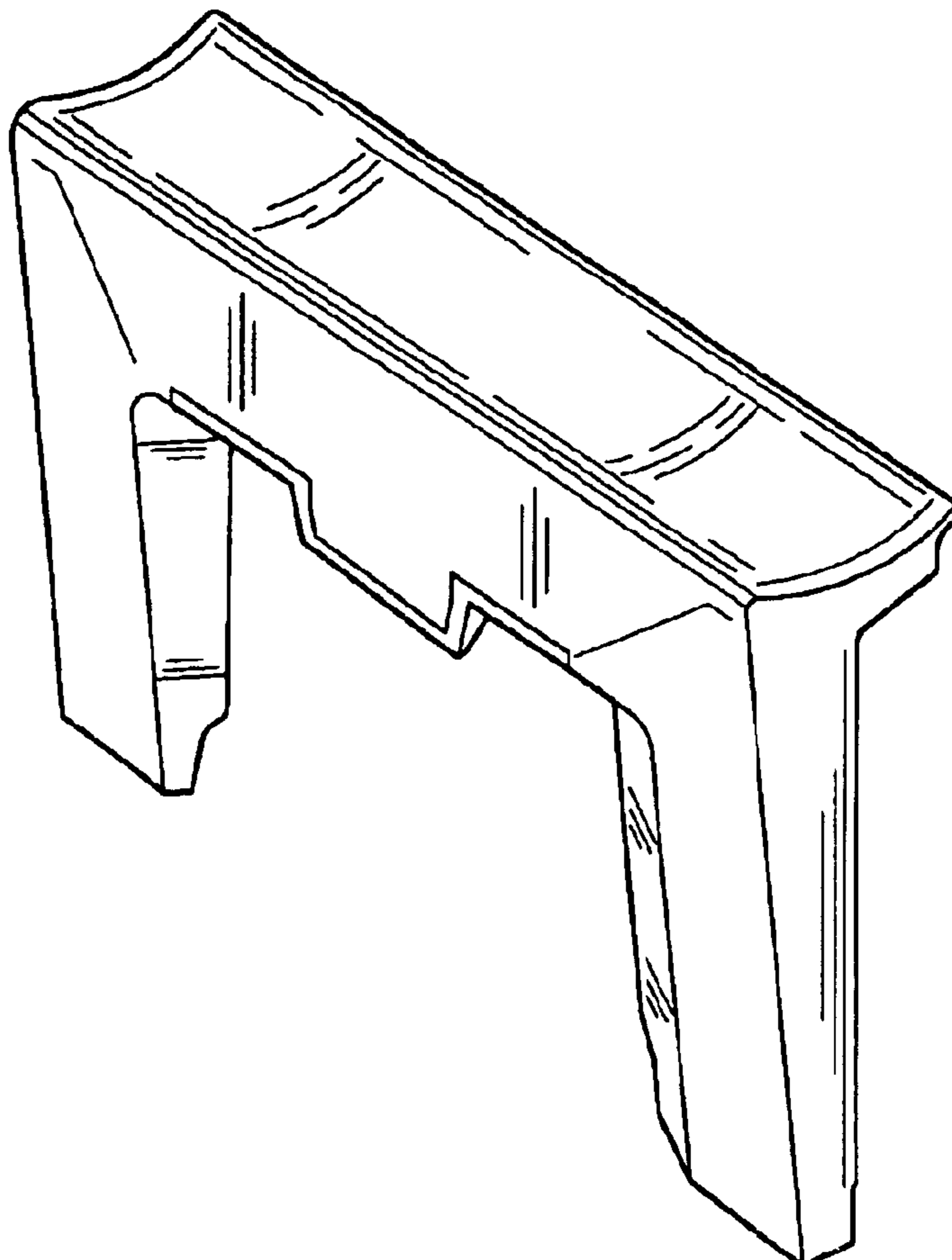
FIG. 4 is a front view of the combined pushdown/keeper for double hung window;

FIG. 5 is a rear view of the combined pushdown/keeper for double hung window;

FIG. 6 shows one side of the combined pushdown/keeper for double hung window; and,

FIG. 7 shows the opposed side of the combined pushdown/keeper for double hung window.

1 Claim, 2 Drawing Sheets



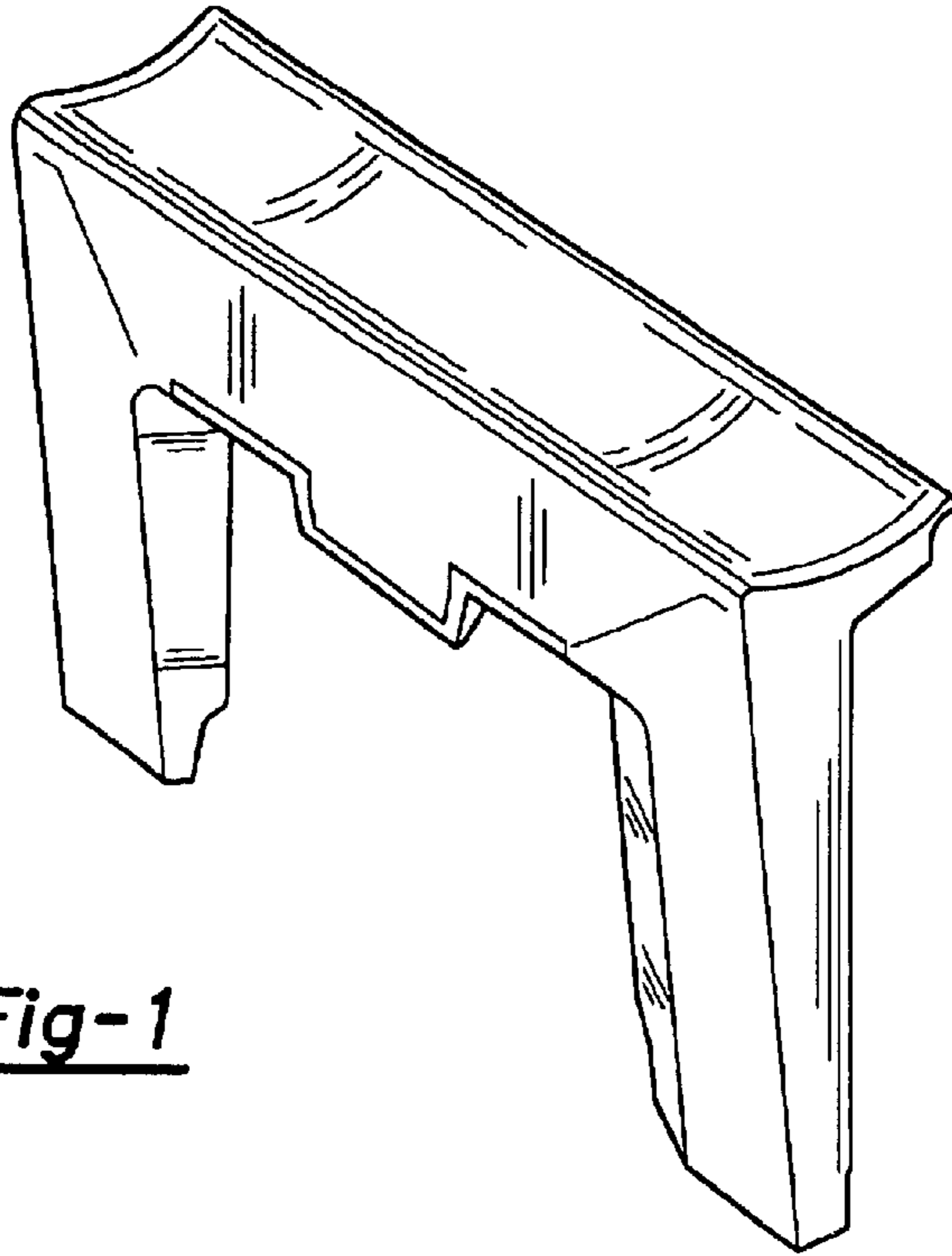


Fig-1

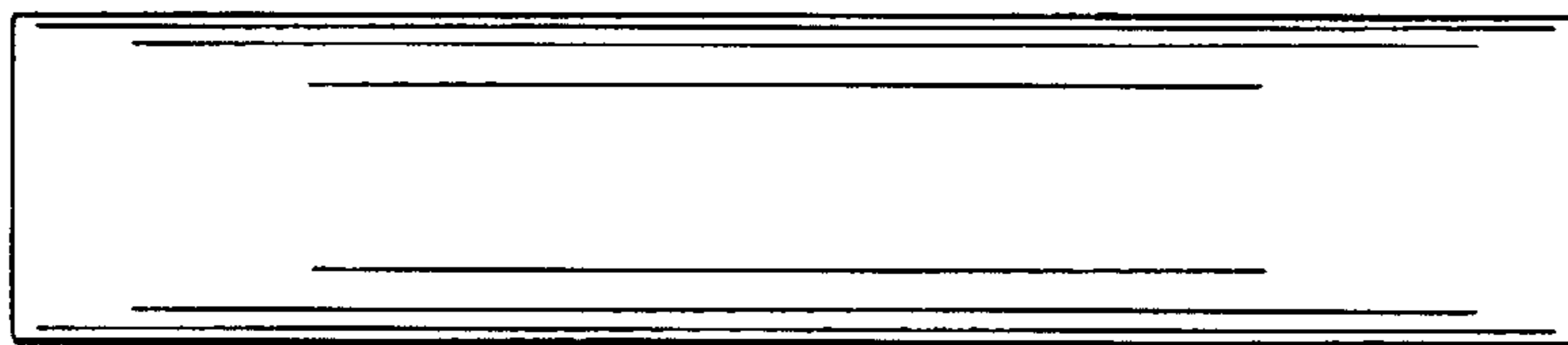


Fig-2

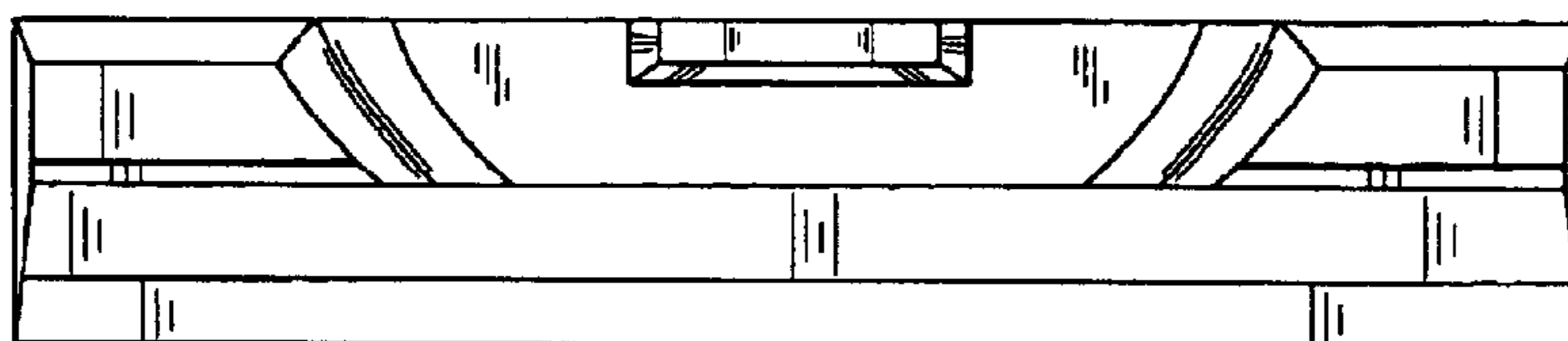


Fig-3

