



US00D520328S

(12) **United States Design Patent**
Hansen

(10) **Patent No.:** **US D520,328 S**

(45) **Date of Patent:** **** May 9, 2006**

(54) **HANDLE ASSEMBLY FOR VEHICLES**

D389,393 S * 1/1998 Hansen
D390,443 S 2/1998 Zenner
D413,056 S 8/1999 Sokurenko et al.
6,109,669 A 8/2000 Pinkow

(76) Inventor: **Randall C. Hansen**, 6 Old Mill Ct.,
Columbia, SC (US) 29206

(**) Term: **14 Years**

(21) Appl. No.: **29/134,618**

(22) Filed: **Dec. 22, 2000**

OTHER PUBLICATIONS

Design News; p. 12; cup and drop handle.*
Eberhard, Industrial and Vehicular Hardware Brochure, pp.
56-57 and pp. 59-60, 1994, 1991, Eberhard Manufacturing
Company, Division of The Eastern Company.

* cited by examiner

Primary Examiner—Paula A. Greene

Related U.S. Application Data

(63) Continuation of application No. 29/072,573, filed on Jun.
20, 1997, now abandoned.

(51) **LOC (8) Cl.** **08-06**

(52) **U.S. Cl.** **D8/301**

(58) **Field of Classification Search** D8/301,
D8/306, 310, 315-320, 350, 341, 302, 336,
D8/331, 338, 339; 292/336.3, DIG. 3, DIG. 23,
292/DIG. 67, DIG. 68, DIG. 31; 70/91, 308,
70/159

See application file for complete search history.

(57) **CLAIM**

The ornamental design for handle assembly for vehicles, as
shown and described.

DESCRIPTION

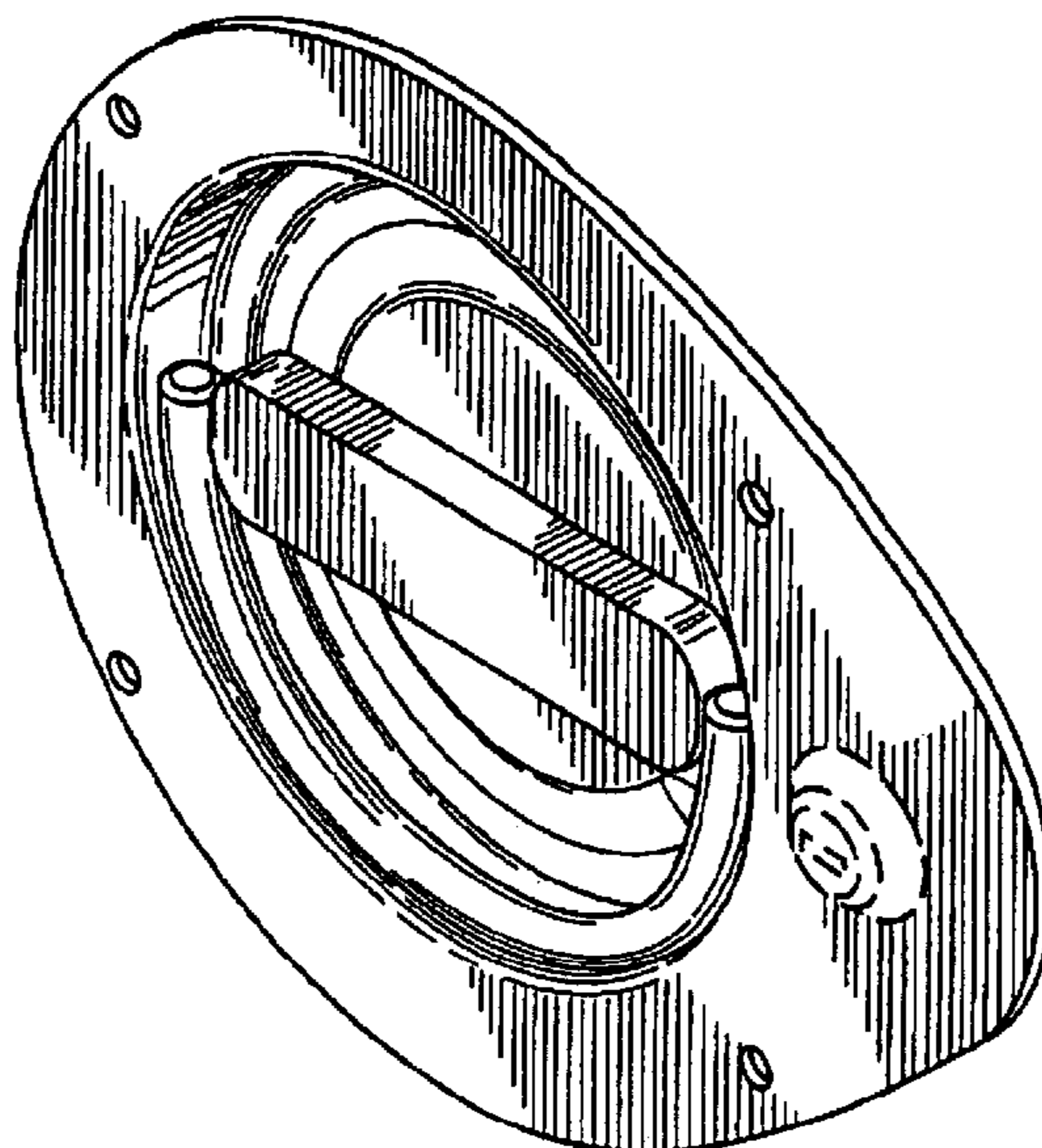
FIG. 1 is a perspective view of a handle assembly for
vehicles according to the present invention;
FIG. 2 is a front view of the handle design of FIG. 1;
FIG. 3 is a right side view of the handle design of FIG. 1;
FIG. 4 is a left side view of the handle design of FIG. 1;
FIG. 5 is a top side view of the handle design of FIG. 1;
FIG. 6 is a rear view of the handle design of FIG. 1;
FIG. 7 is a bottom side view of the handle design of FIG. 1;
and,
FIG. 8 is a front view of the handle design of FIG. 1 in an
alternate position, with the mounting plate rotated relative to
the handle 90 degrees from the position shown in FIG. 2.
The broken lines (specifically those showing mounting
holes, the key cylinder, and the drive shaft) are provided to
show the bounds of the claimed design and thus form no part
of the claimed design.

(56) **References Cited**

U.S. PATENT DOCUMENTS

2,402,348 A * 6/1946 Schroeder
2,615,744 A * 10/1952 Colonna
2,666,319 A * 1/1954 Price
2,744,406 A * 5/1956 Labrie
2,923,145 A * 2/1960 Labrie
3,209,564 A * 10/1965 Delcin 70/208
4,989,907 A * 2/1991 Edmonds
D316,365 S 4/1991 Hansen et al.
D317,398 S 6/1991 Hansen et al.
D323,970 S * 2/1992 Schlack
D324,636 S 3/1992 Schlack et al.
D364,329 S 11/1995 Ziemer et al.
D370,620 S 6/1996 Ziemer

1 Claim, 3 Drawing Sheets



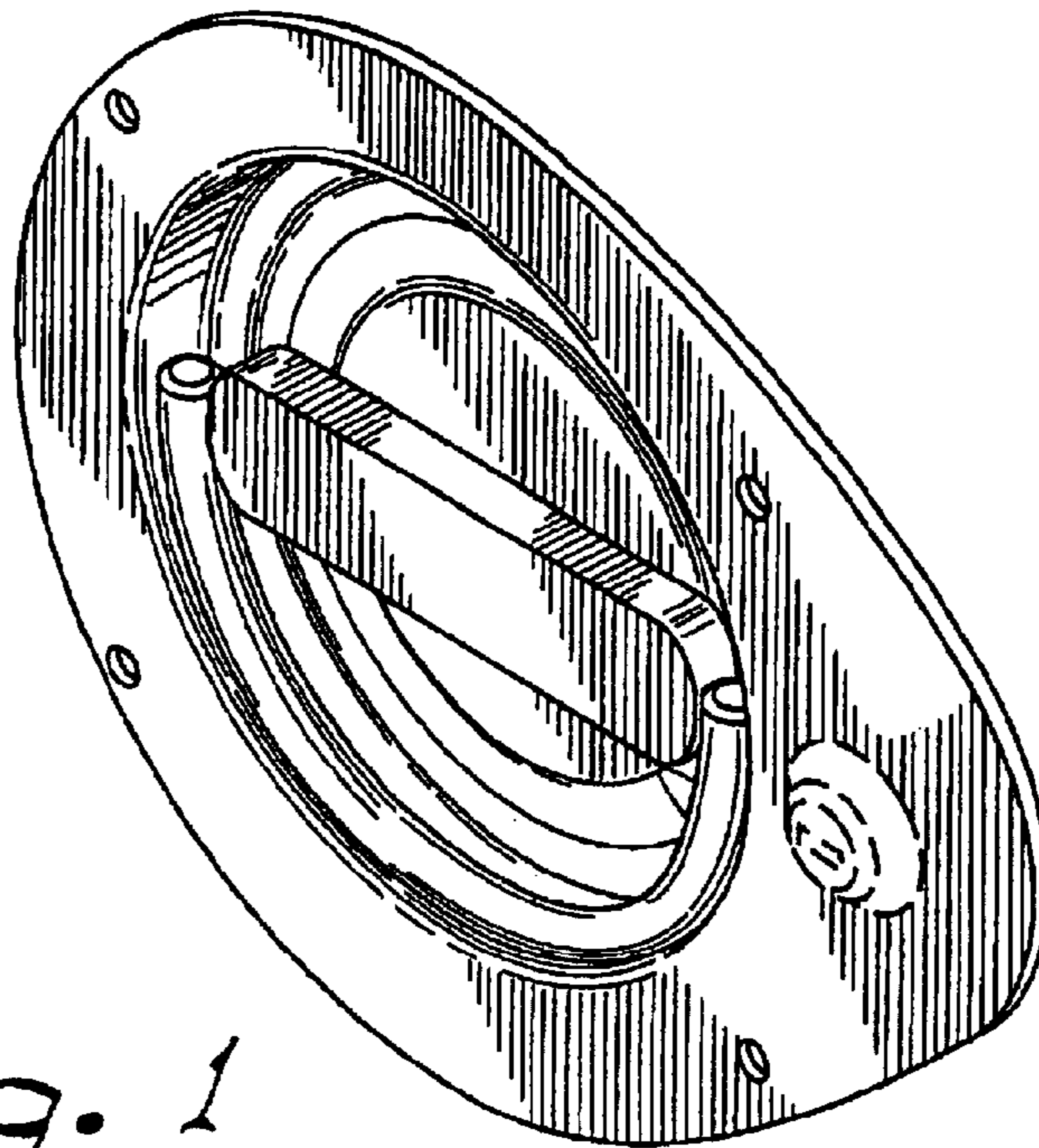


Fig. 1

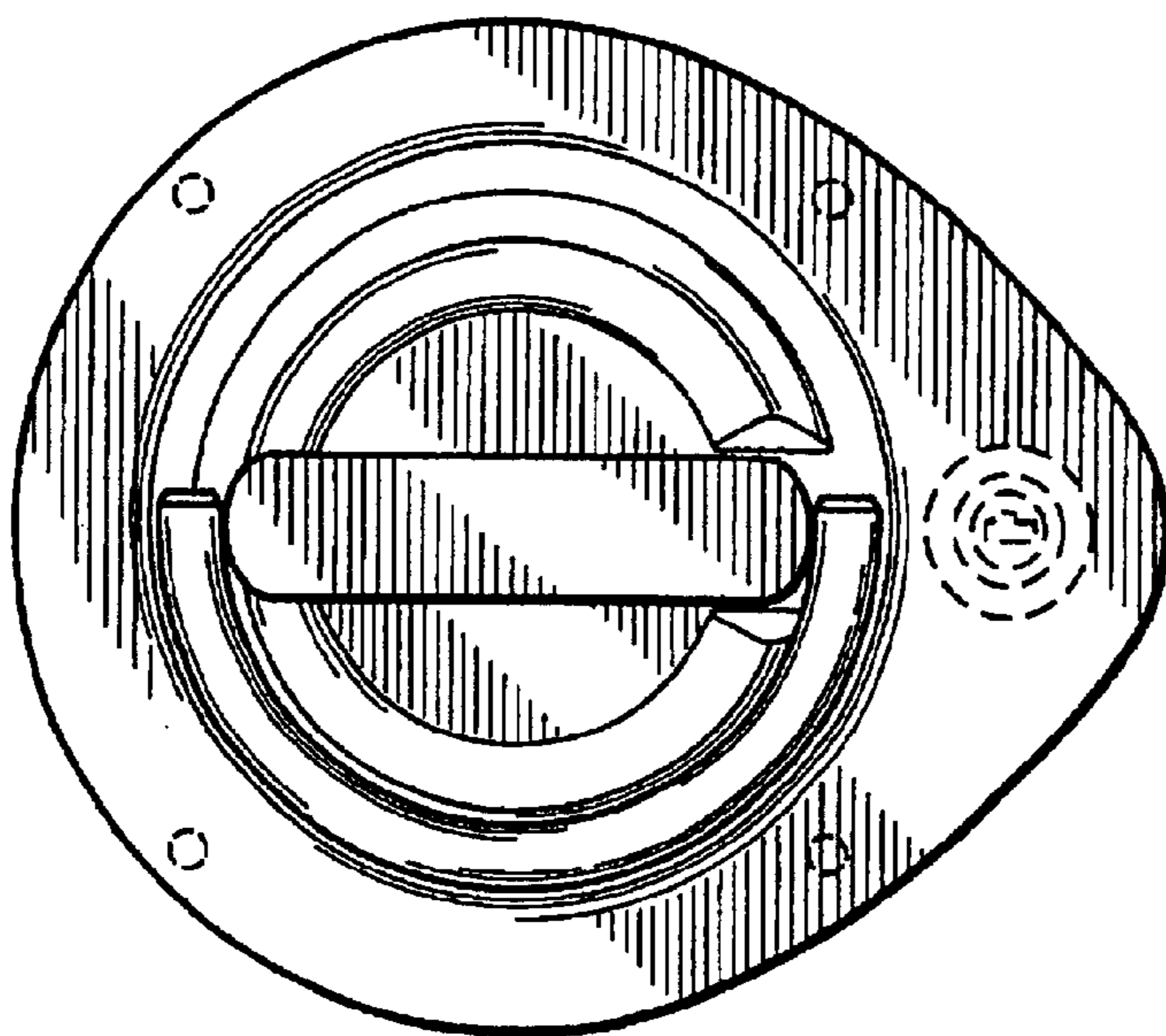


Fig. 2

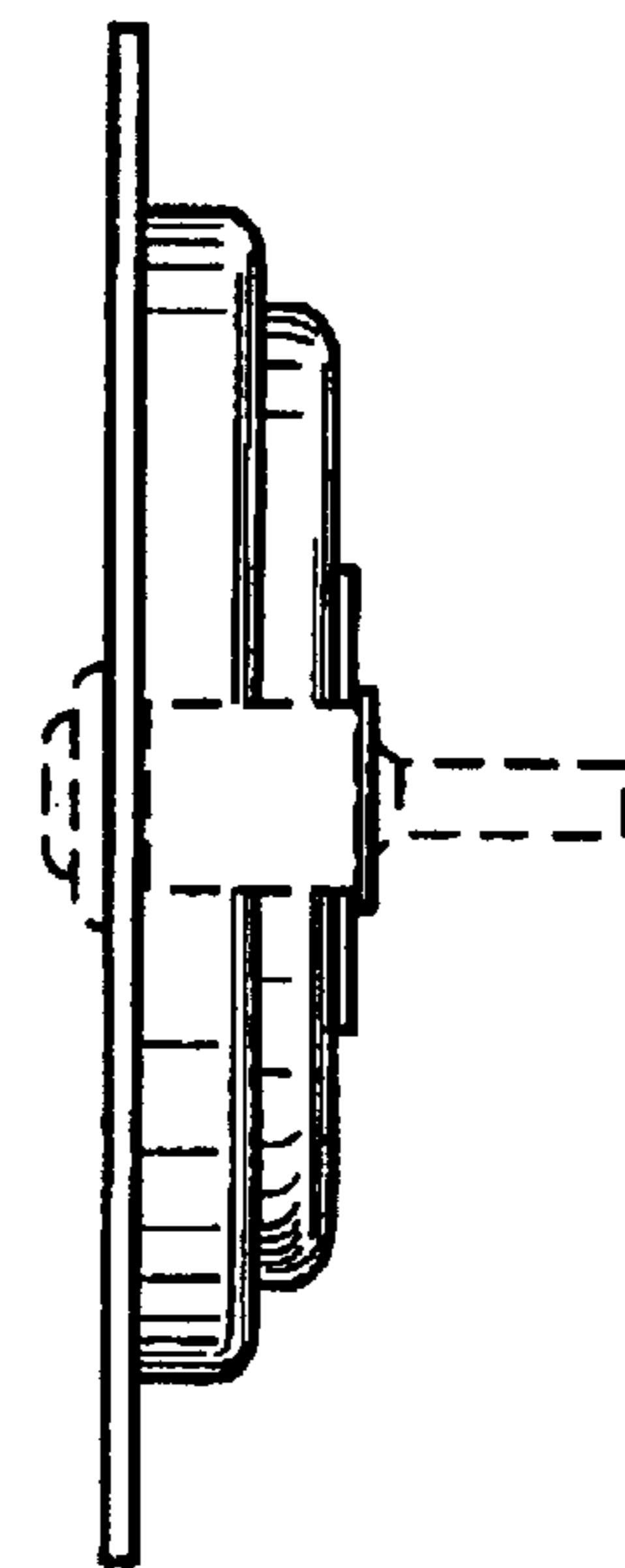


Fig. 3

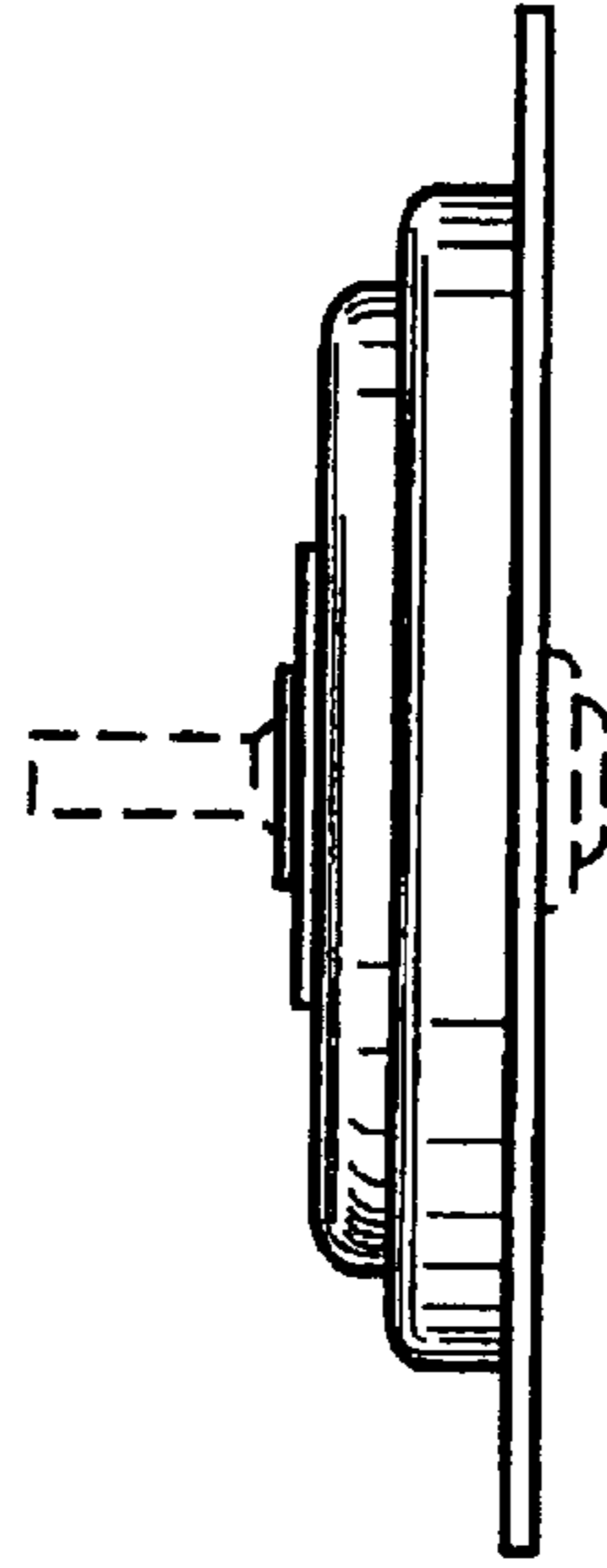


Fig. 4

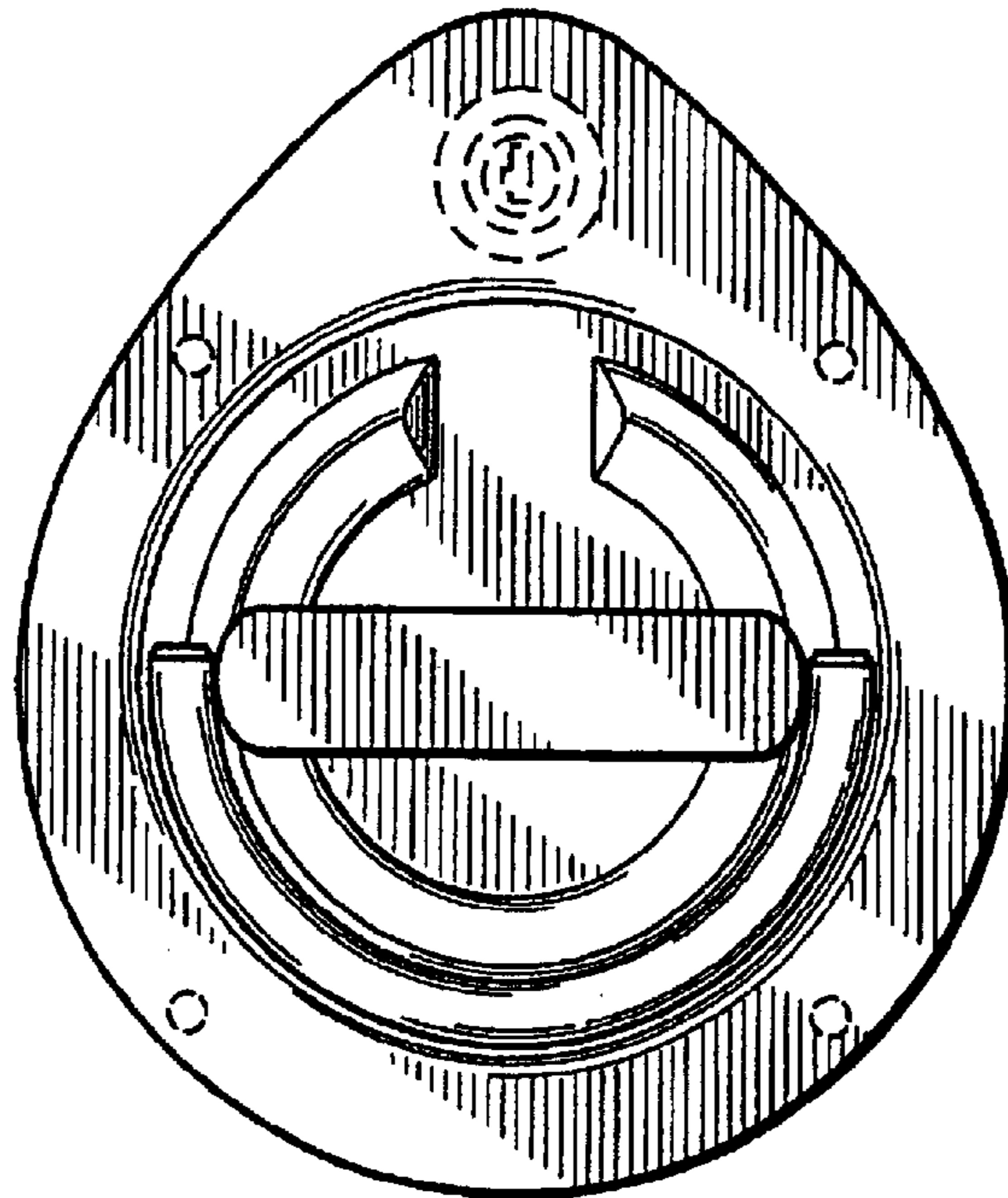


Fig. 8

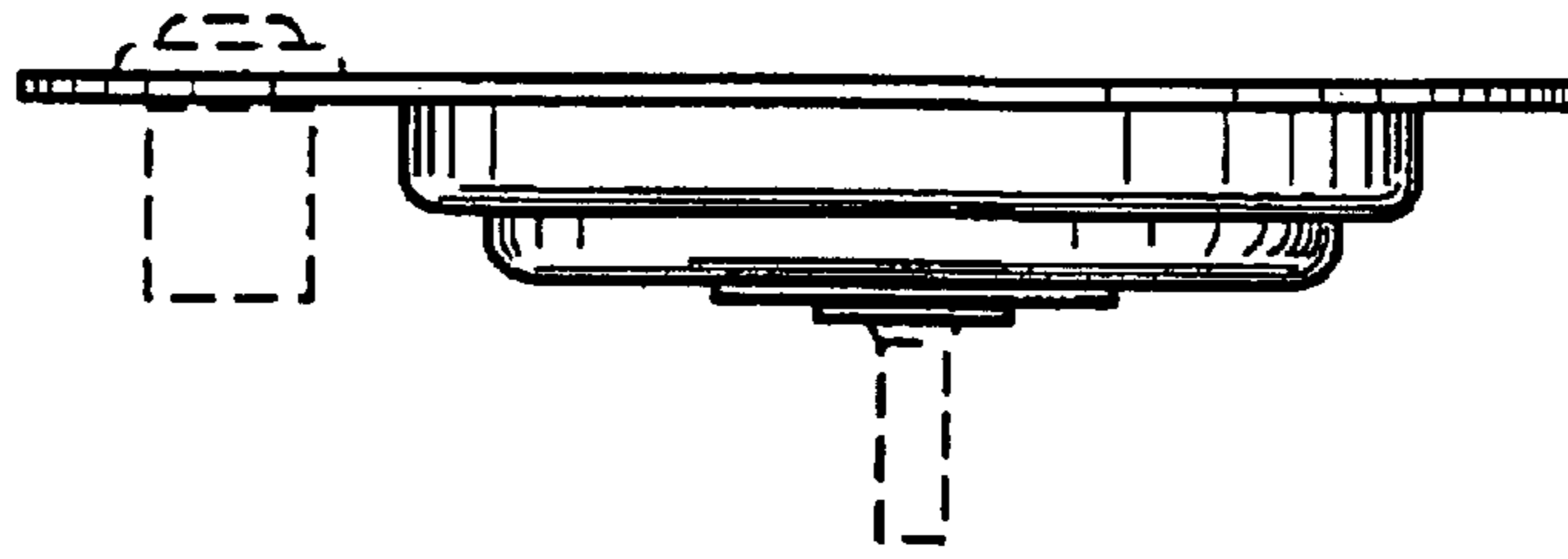


Fig. 5

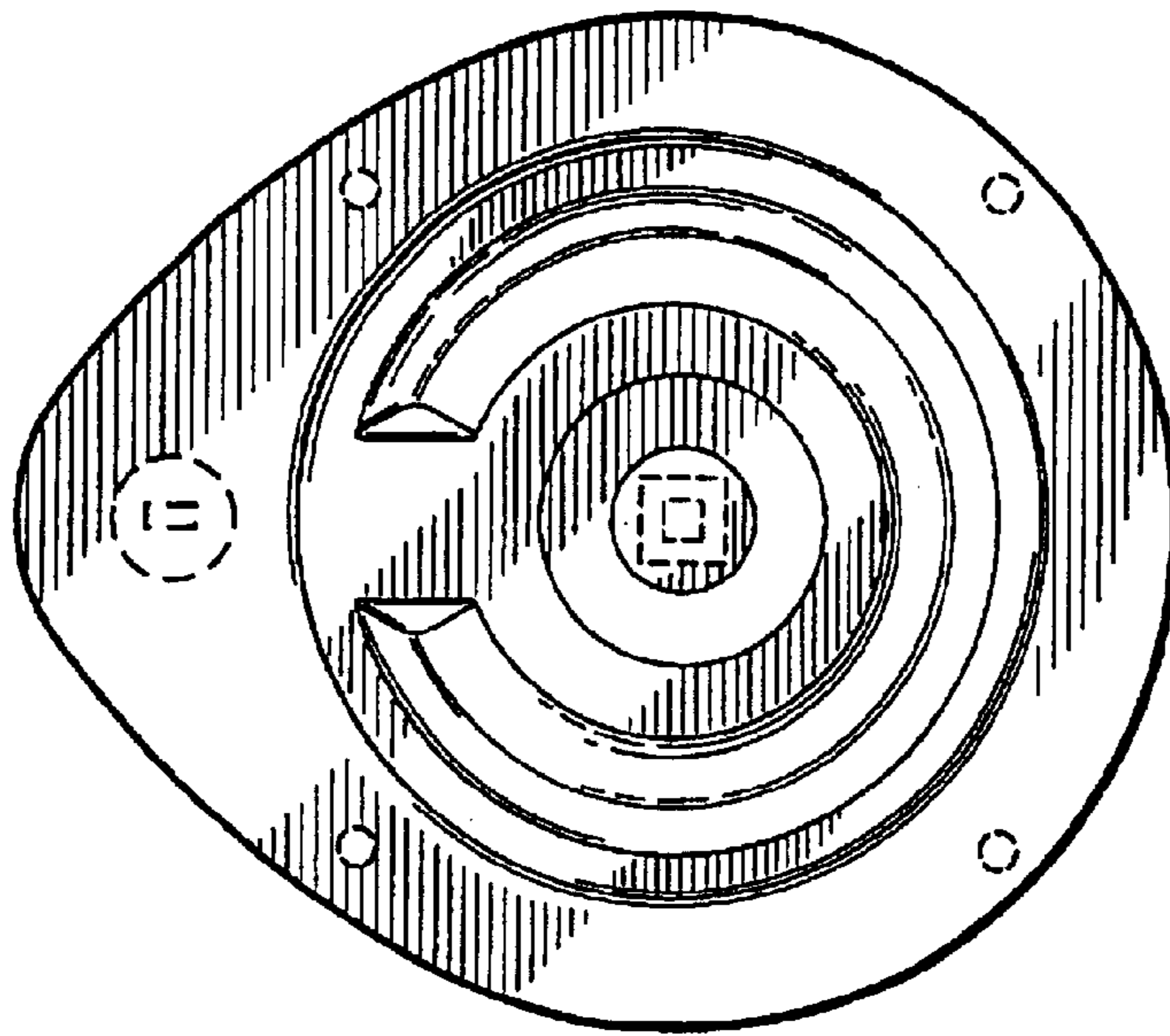


Fig. 6

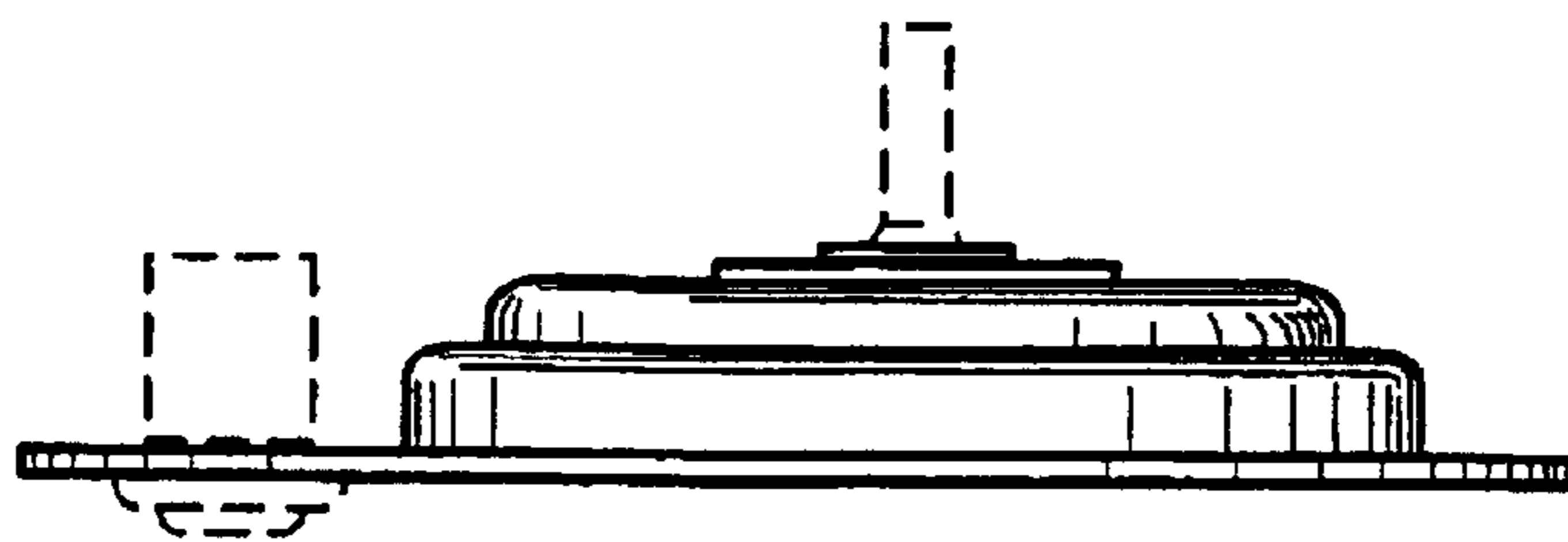


Fig. 7