



US00D520324S

(12) **United States Design Patent**  
**Yaksich et al.**

(10) **Patent No.:** **US D520,324 S**

(45) **Date of Patent:** **\*\* May 9, 2006**

(54) **CHUCK**

D461,696 S \* 8/2002 Chunn et al. .... D8/70  
D462,249 S \* 9/2002 Chunn et al. .... D8/70

(75) Inventors: **Theodore G. Yaksich**, Seneca, SC (US); **David Myers**, Seneca, SC (US); **Gregg Draudt**, Stowe, MA (US); **Gordon Row**, Groton, MA (US); **Tim Proulx**, Nashua, NH (US)

\* cited by examiner

*Primary Examiner*—Gary D. Watson  
*Assistant Examiner*—T. Chase Nelson  
(74) *Attorney, Agent, or Firm*—Nelson Mullins Riley & Scarborough, LLP

(73) Assignee: **Jacobs Chuck Manufacturing Company**, Clemson, SC (US)

(57) **CLAIM**

(\*\*) Term: **14 Years**

The ornamental design for a chuck, substantially as shown and described.

(21) Appl. No.: **29/223,903**

**DESCRIPTION**

(22) Filed: **Feb. 22, 2005**

(51) **LOC (8) Cl.** ..... **08-05**

(52) **U.S. Cl.** ..... **D8/70**

(58) **Field of Classification Search** ..... D8/61, D8/62, 63, 64, 65, 66, 67, 68, 69, 70; D15/140; 279/60, 61, 62, 63, 64, 65, 66, 157, 901, 279/902; 408/56, 240

See application file for complete search history.

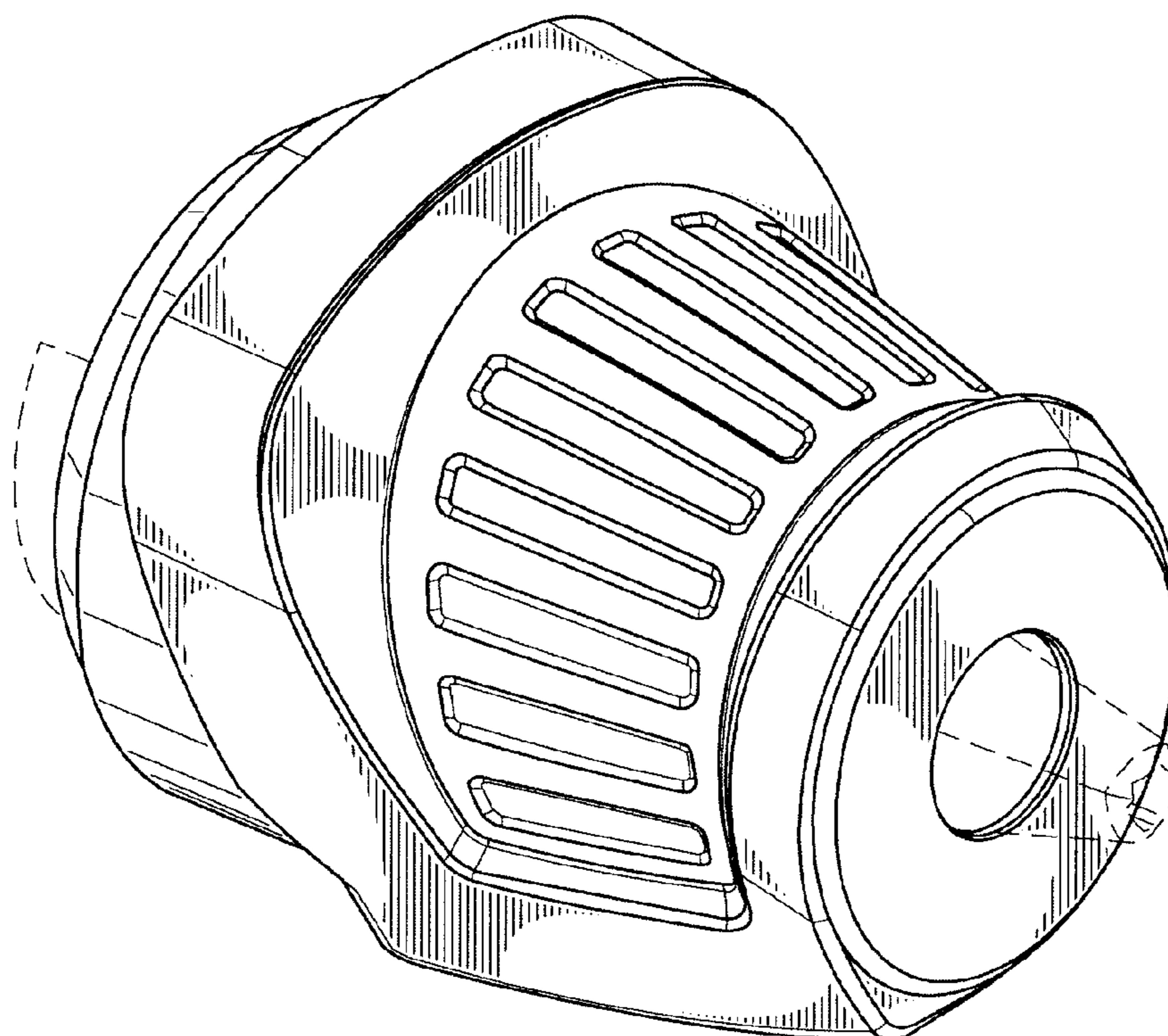
FIG. 1 is a perspective view of a chuck embodying the design of the present invention;  
FIG. 2 is top elevational view of the chuck illustrated in FIG. 1;  
FIG. 3 is a bottom elevational view of the chuck illustrated in FIG. 1;  
FIG. 4 is a left side elevational view of the chuck illustrated in FIG. 1;  
FIG. 5 is a right side elevational view of the chuck illustrated in FIG. 1  
FIG. 6 is a front view of the chuck illustrated in FIG. 1; and, FIG. 7 is a rear view of the chuck illustrated in FIG. 1.  
Broken lines are for illustrative purposes and form no part of the claim.

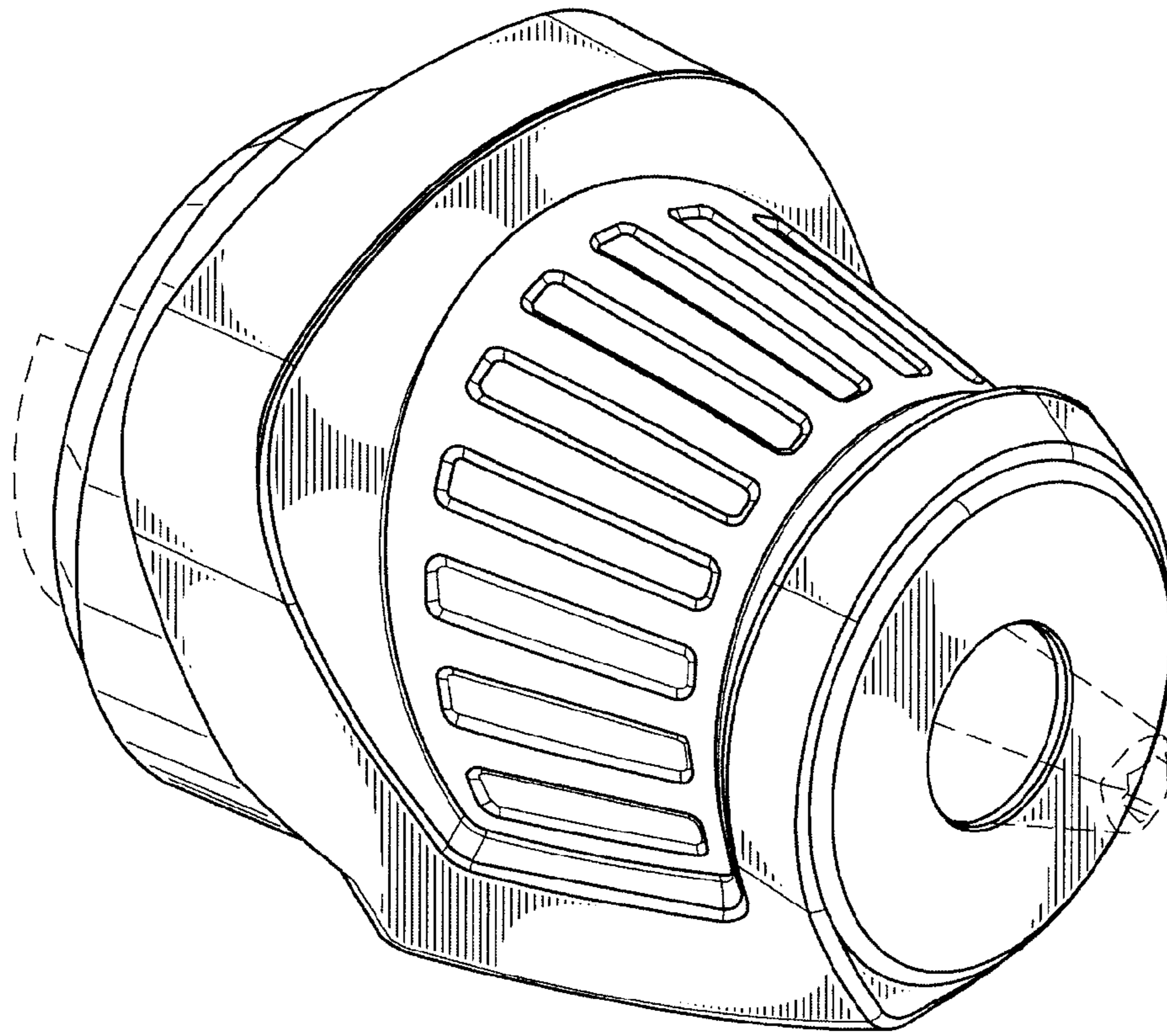
(56) **References Cited**

**U.S. PATENT DOCUMENTS**

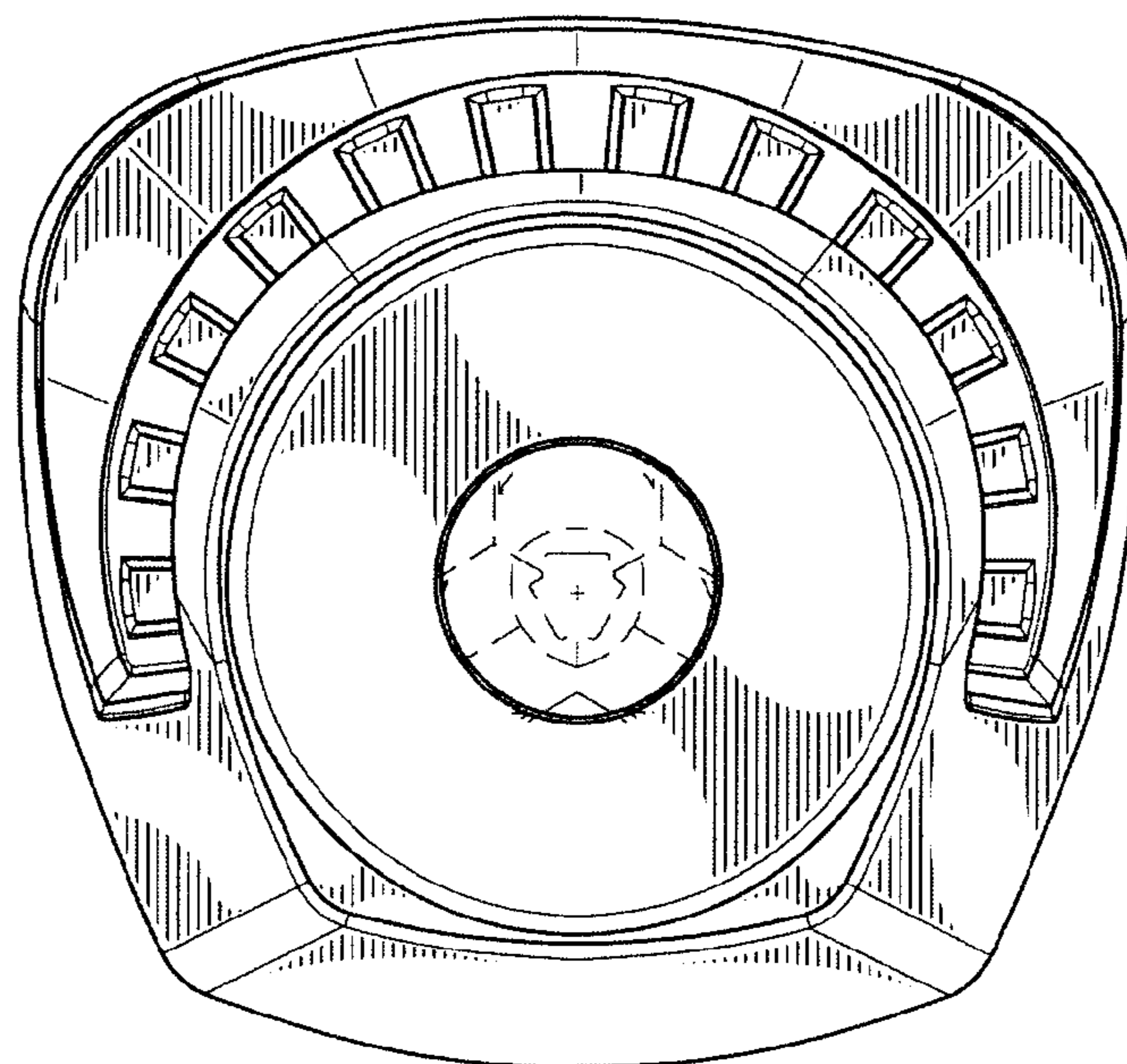
D167,473 S \* 8/1952 Muller-Munk ..... D15/140  
D403,222 S \* 12/1998 Lui ..... D8/70  
D440,851 S \* 4/2001 Sakai et al. .... D8/69  
D458,101 S \* 6/2002 Hartman et al. .... D8/61

**1 Claim, 4 Drawing Sheets**



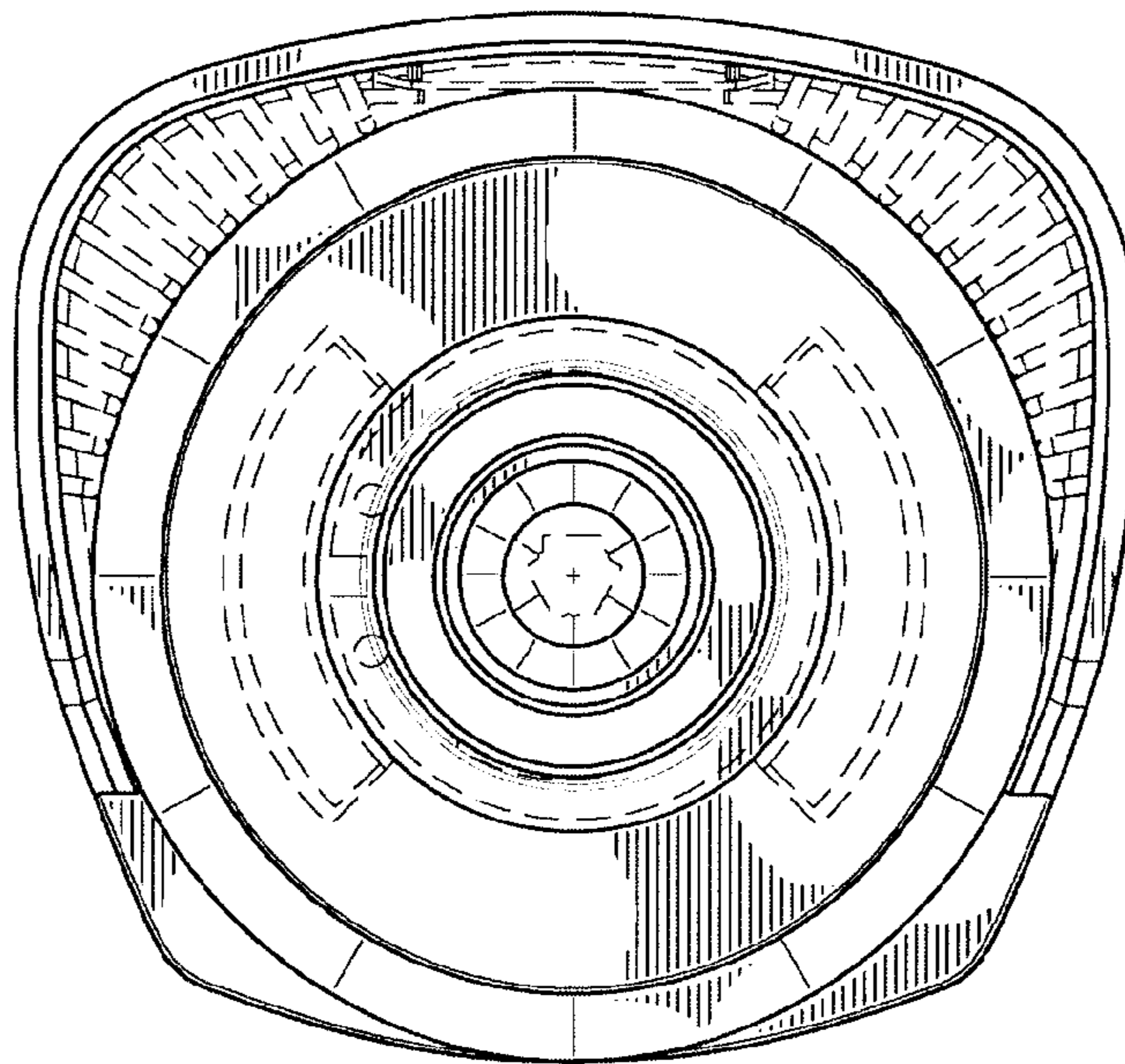


**Fig. 1**

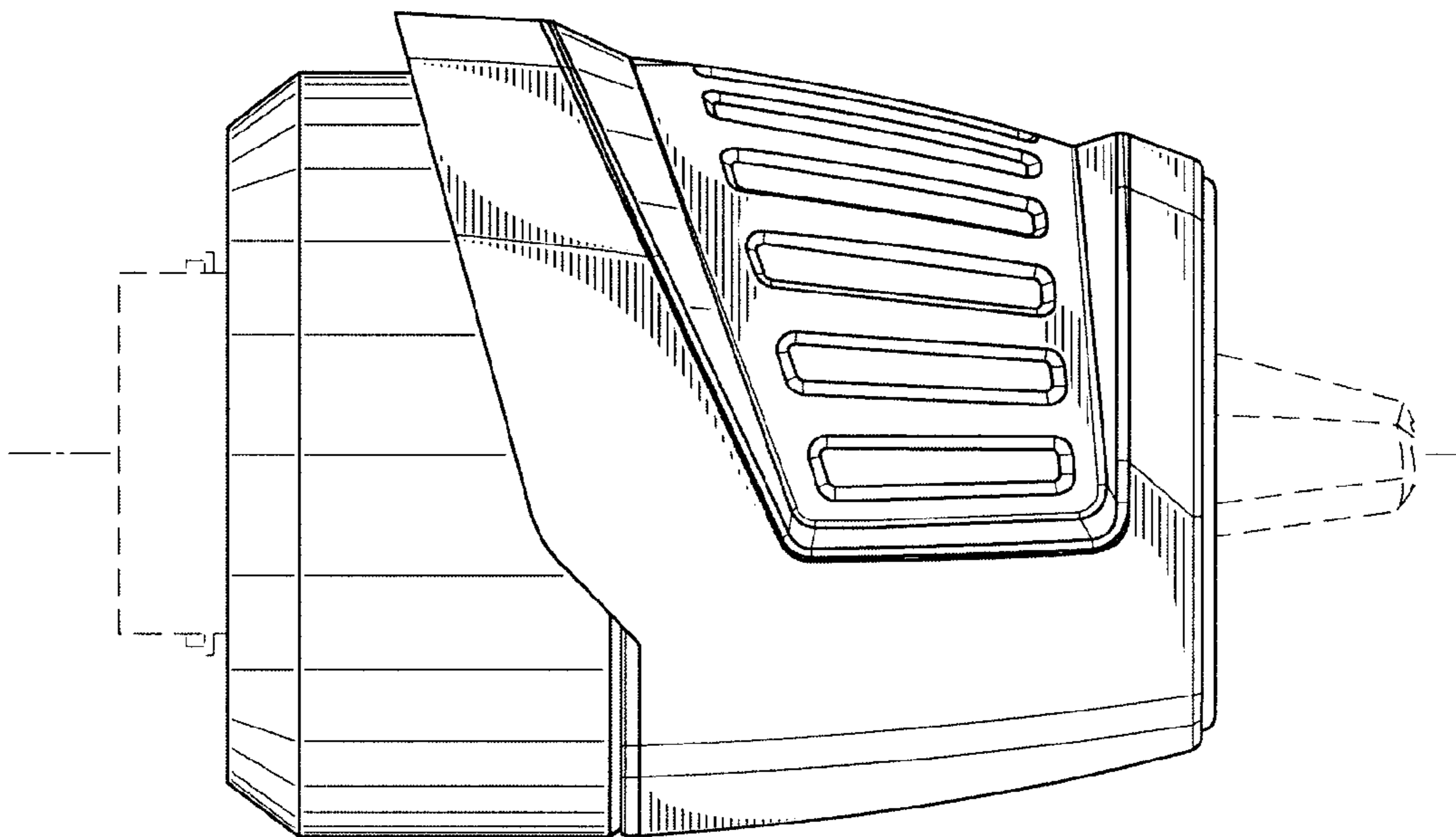


**Fig. 2**

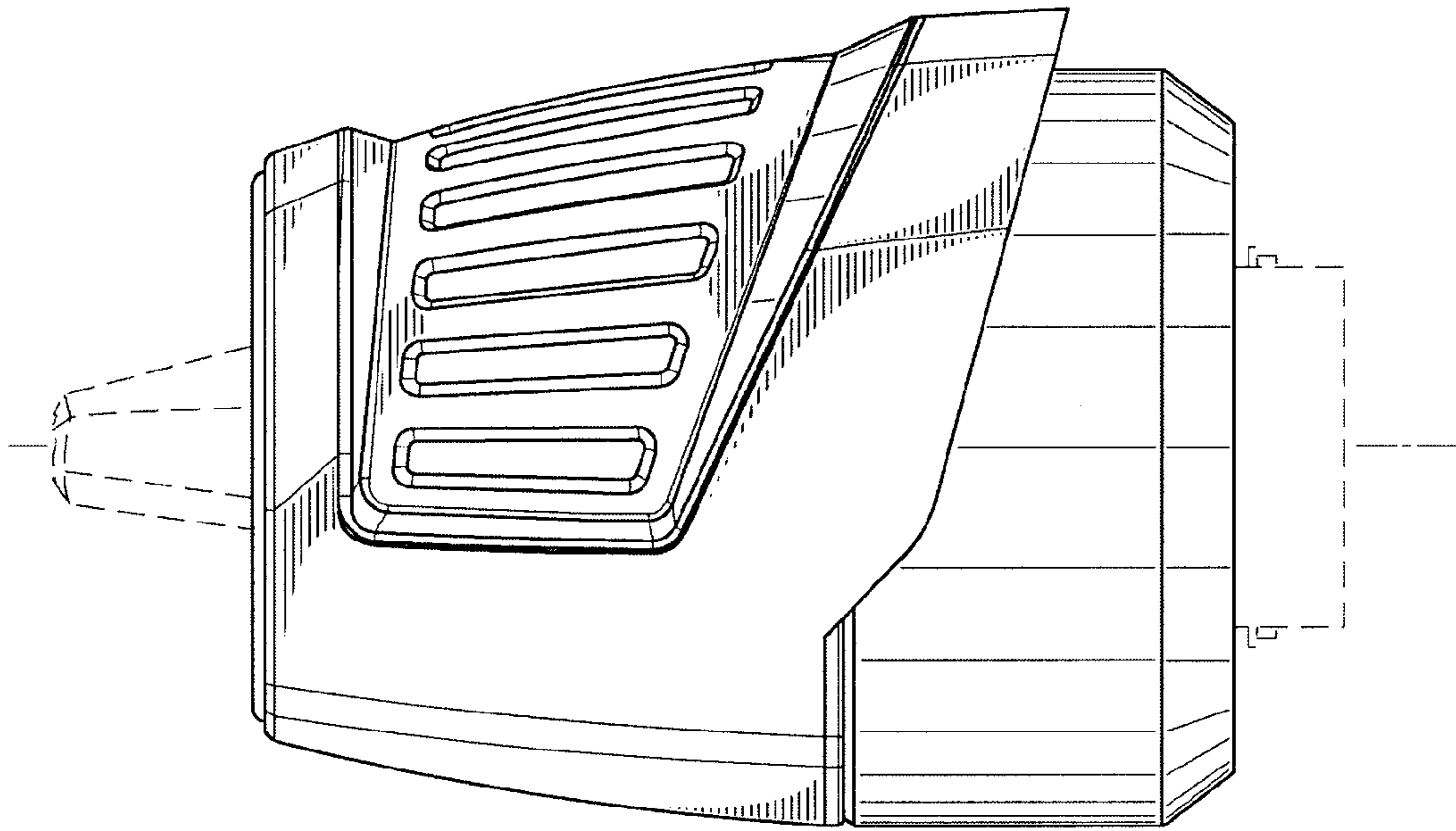




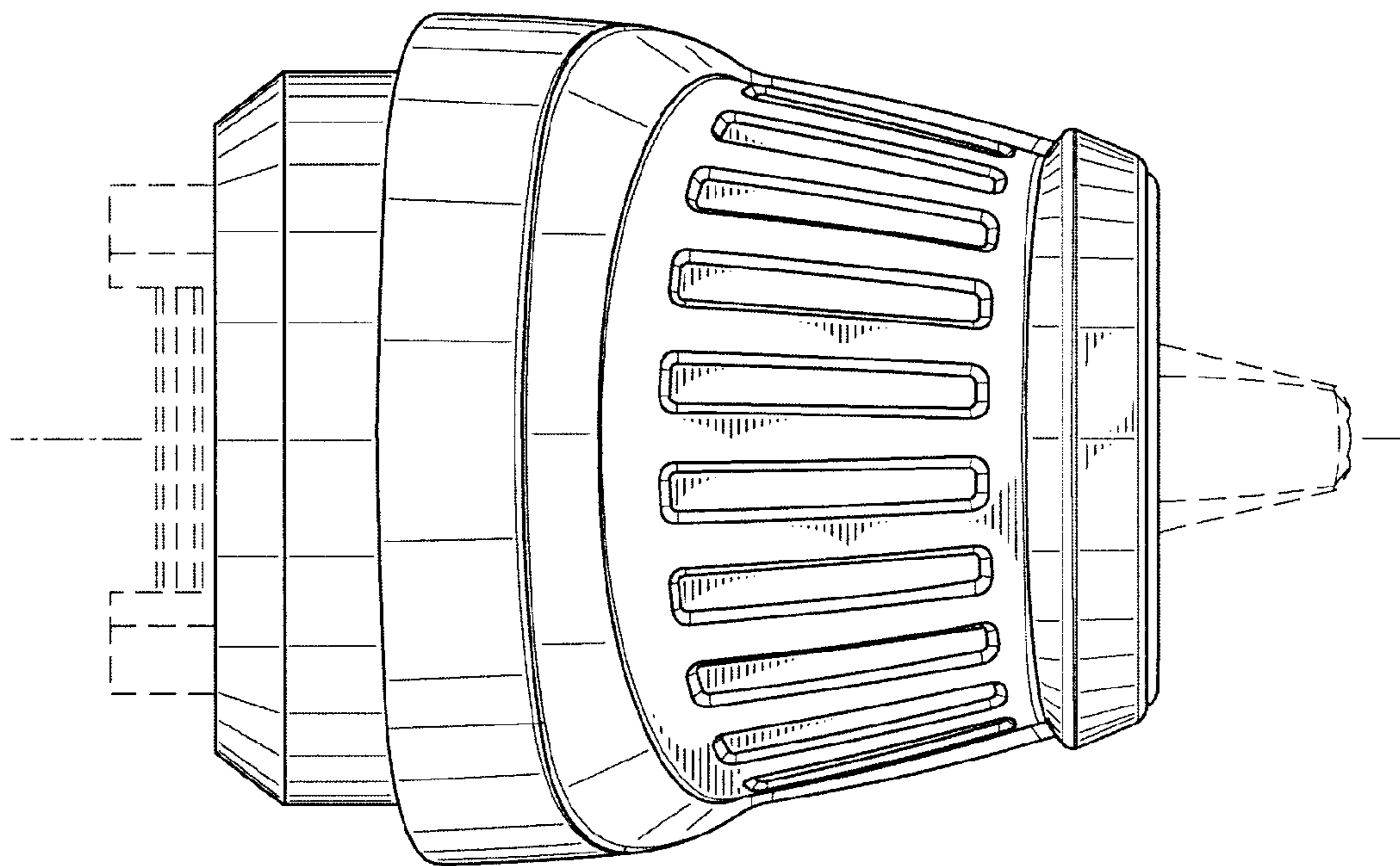
**Fig. 3**



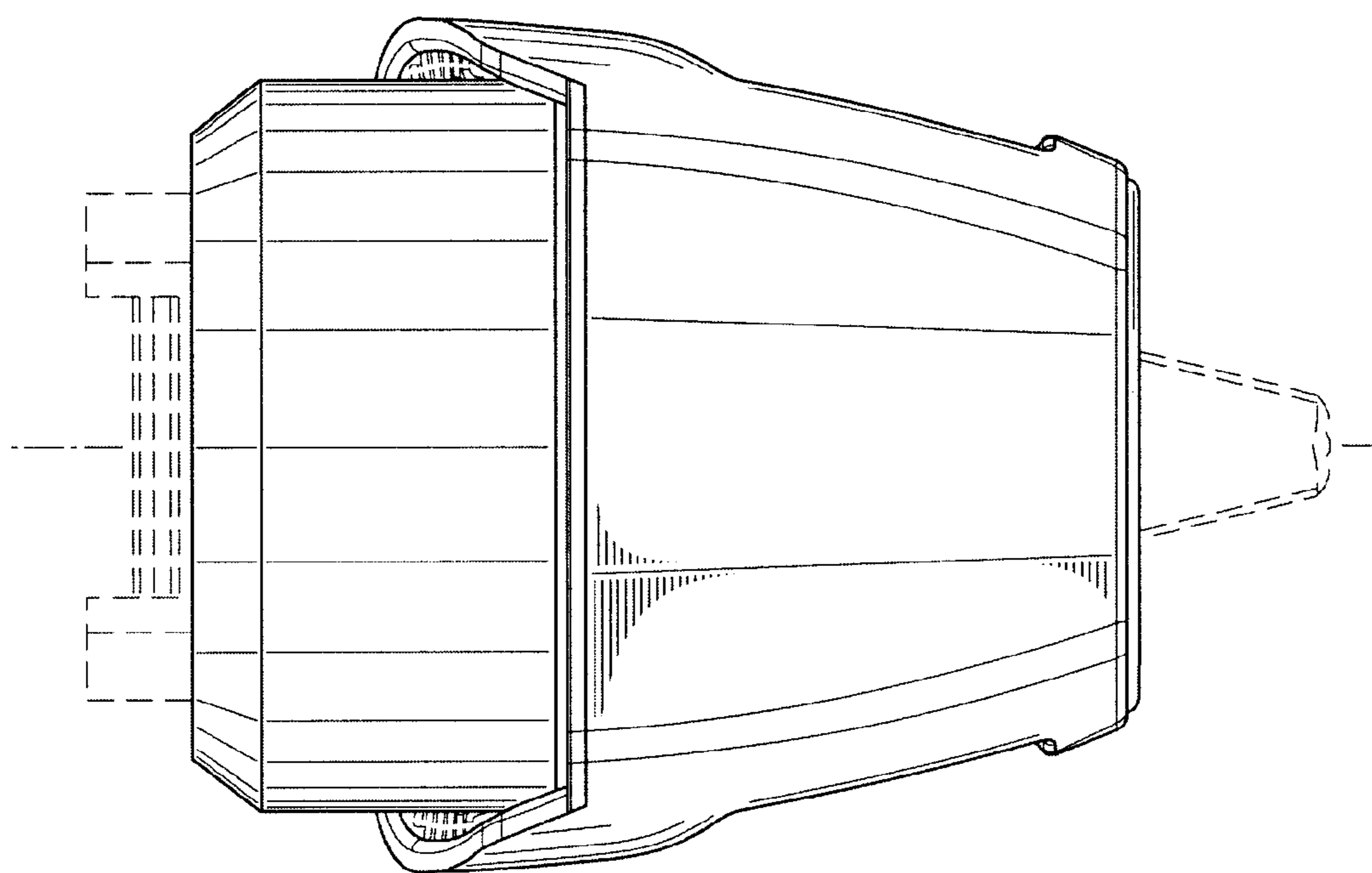
**Fig. 4**



**Fig. 5**



**Fig. 6**



**Fig. 7**