

US00D520323S

(12) **United States Design Patent**  
**Wang**

(10) **Patent No.:** **US D520,323 S**

(45) **Date of Patent:** **\*\* May 9, 2006**

(54) **GRIP SLEEVE FOR AN AIR TOOL**

(75) Inventor: **Michael Wang**, Dali (TW)

(73) Assignee: **Master Air Tool Co., Ltd.**, Taichung (TW)

(\*\*) Term: **14 Years**

(21) Appl. No.: **29/221,106**

(22) Filed: **Jan. 12, 2005**

(51) **LOC (8) Cl.** ..... **08-05**

(52) **U.S. Cl.** ..... **D8/70**

(58) **Field of Classification Search** ..... D8/61,  
D8/62, 63, 64, 65, 66, 67, 68, 69, 70, 14,  
D8/80, 105, 107, 303, 312, 313, 314; D15/133,  
D15/138, 139, 140; D22/104, 108; 42/71.02,  
42/74; 81/177.1, 177.4, 489  
See application file for complete search history.

(56) **References Cited**

**U.S. PATENT DOCUMENTS**

D296,350 S	*	6/1988	Cellini	.....	D22/108
5,235,784 A	*	8/1993	Oki et al.	.....	451/355
D377,304 S	*	1/1997	Hogue et al.	.....	D8/70
D382,458 S	*	8/1997	Hogue et al.	.....	D8/70

D393,194 S	*	4/1998	Hogue et al.	.....	D8/70
6,158,459 A	*	12/2000	Chang	.....	81/489
D435,773 S	*	1/2001	Lin	.....	D8/107
D461,388 S	*	8/2002	Giardino	.....	D8/107
6,594,863 B1	*	7/2003	Spooner	.....	81/177.1
D486,717 S	*	2/2004	Chen	.....	D8/107

\* cited by examiner

*Primary Examiner*—Holly Baynham

*Assistant Examiner*—T. Chase Nelson

(74) *Attorney, Agent, or Firm*—Troxell Law Office, PLLC

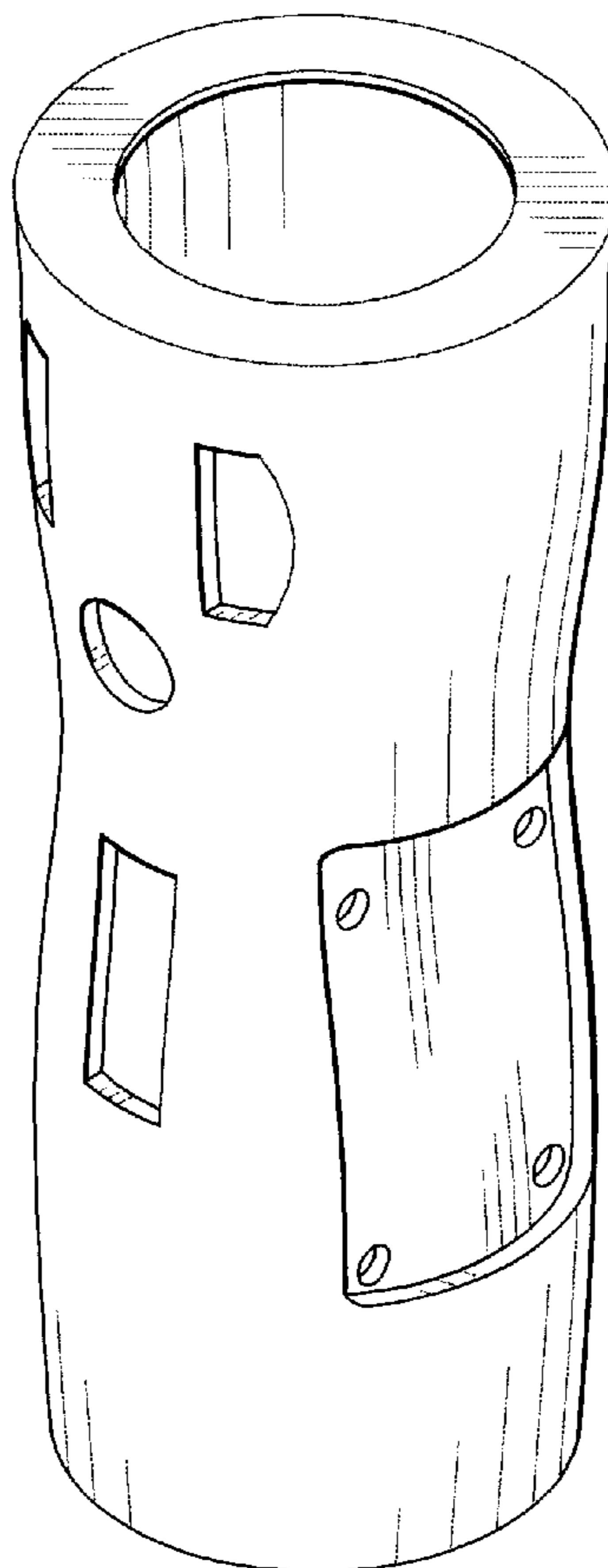
(57) **CLAIM**

I claim the ornamental design for a grip sleeve for an air tool, as shown and described.

**DESCRIPTION**

FIG. 1 is a front perspective view of a grip sleeve for an air tool showing my new design;  
FIG. 2 is a front elevational view thereof;  
FIG. 3 is a rear elevational view thereof;  
FIG. 4 is a left side elevational view thereof;  
FIG. 5 is a right side elevational view thereof;  
FIG. 6 is a top plan view thereof; and,  
FIG. 7 is a bottom plan view thereof.

**1 Claim, 6 Drawing Sheets**



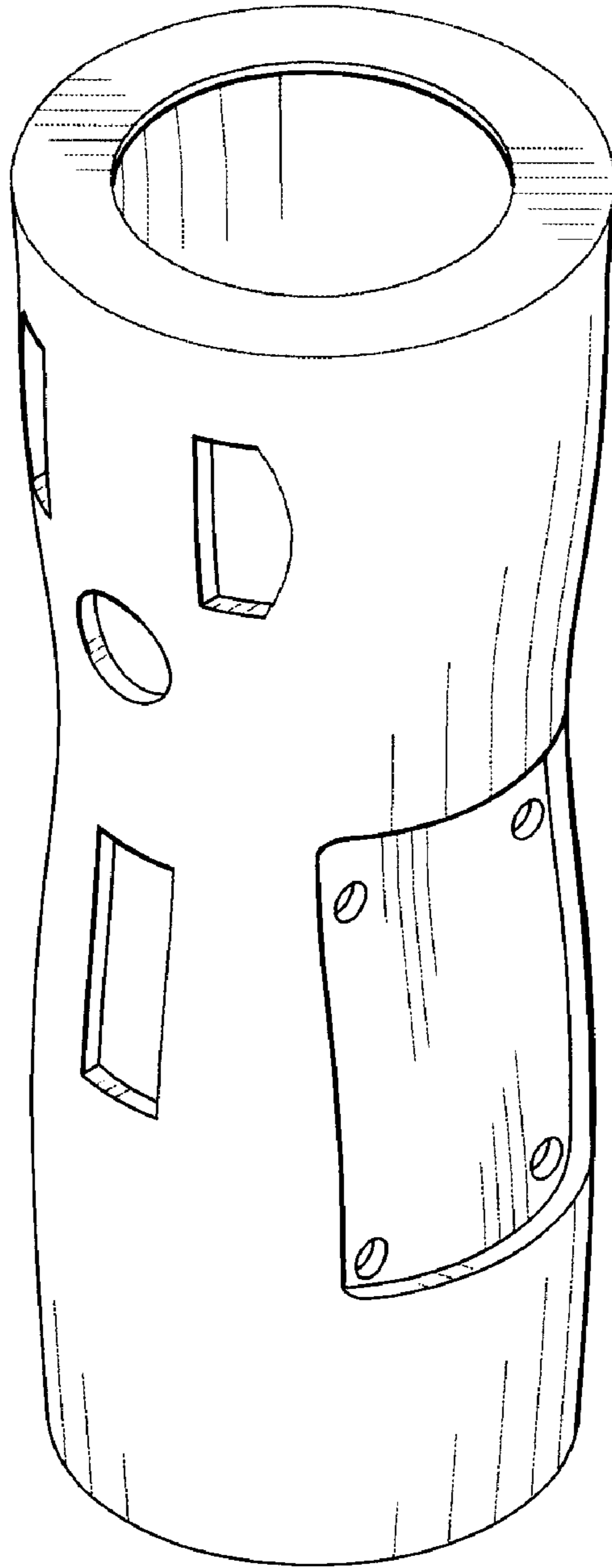


FIG. 1

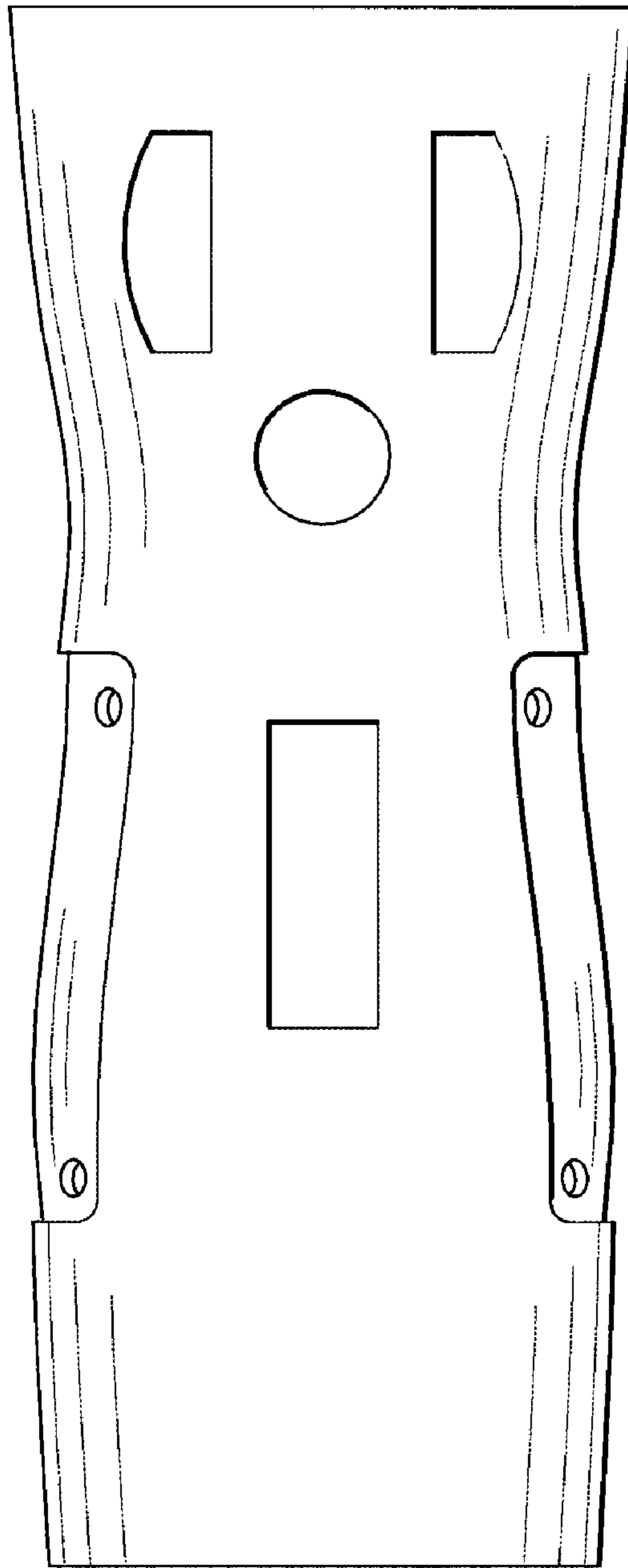


FIG. 2

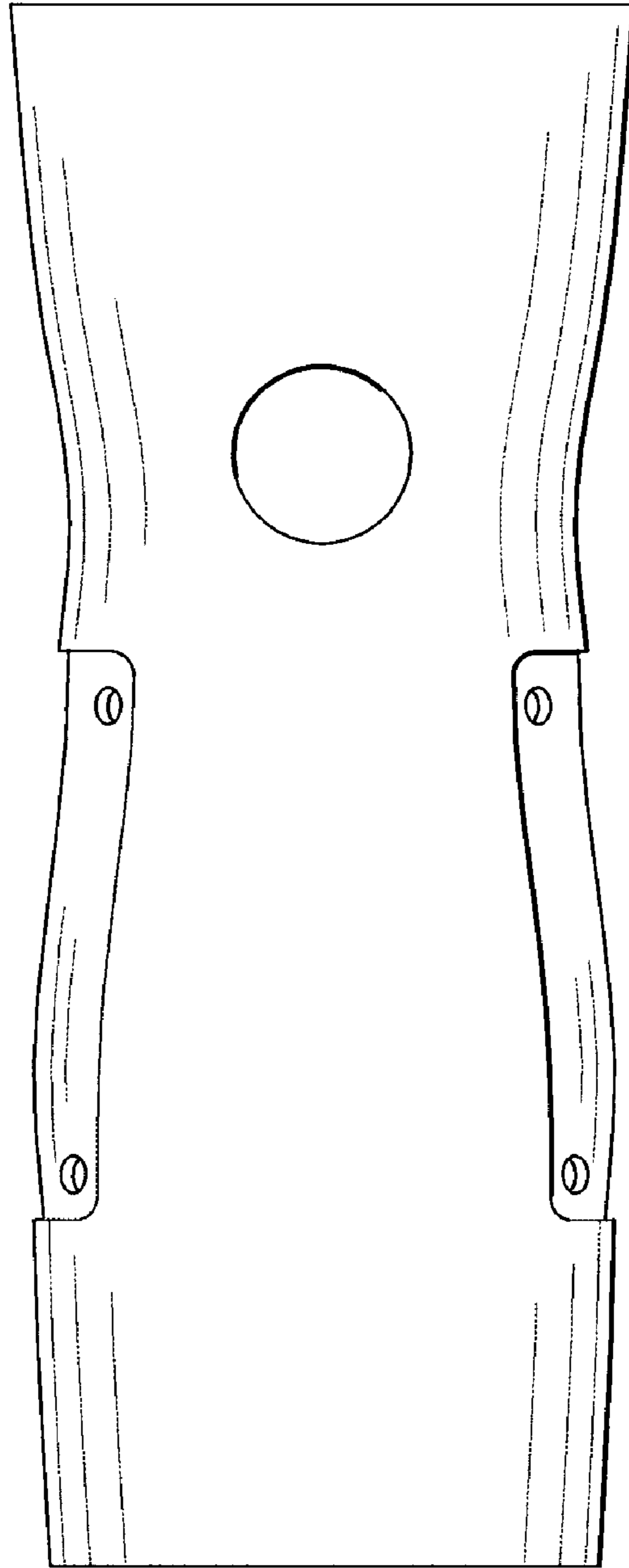


FIG. 3

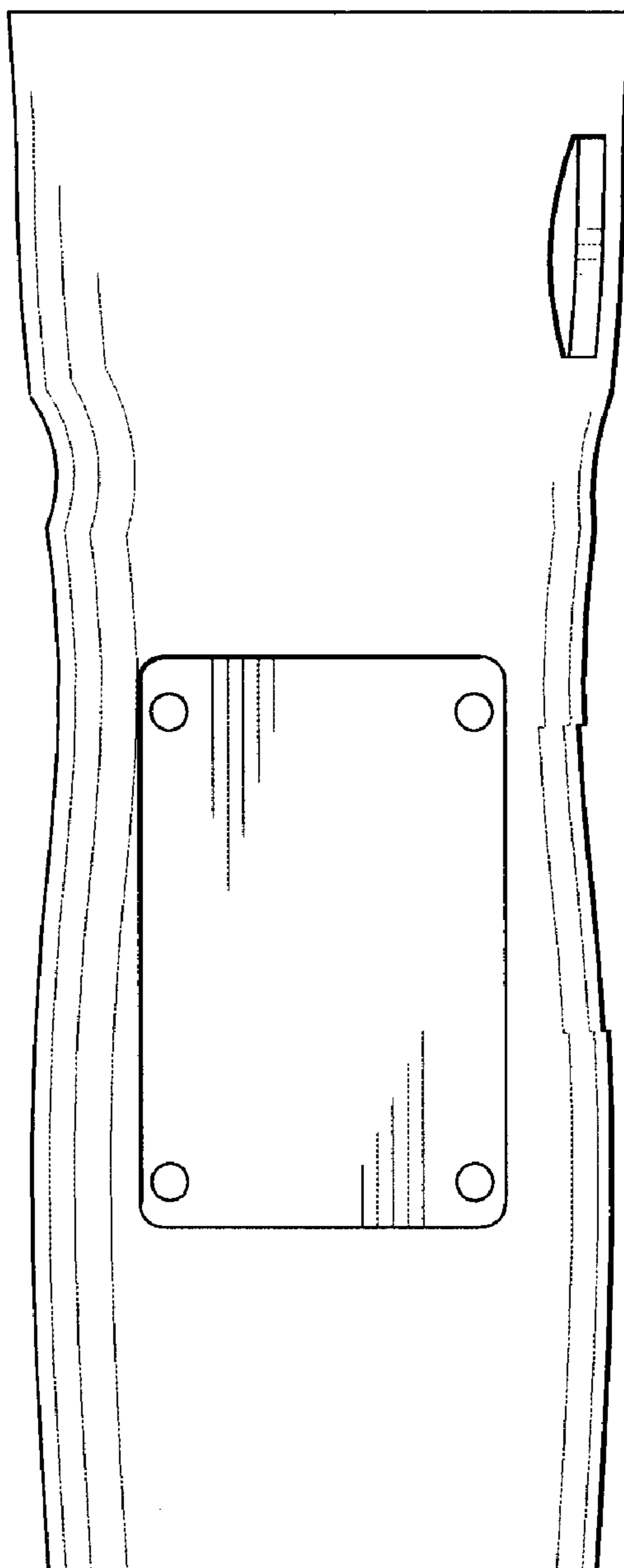


FIG. 4

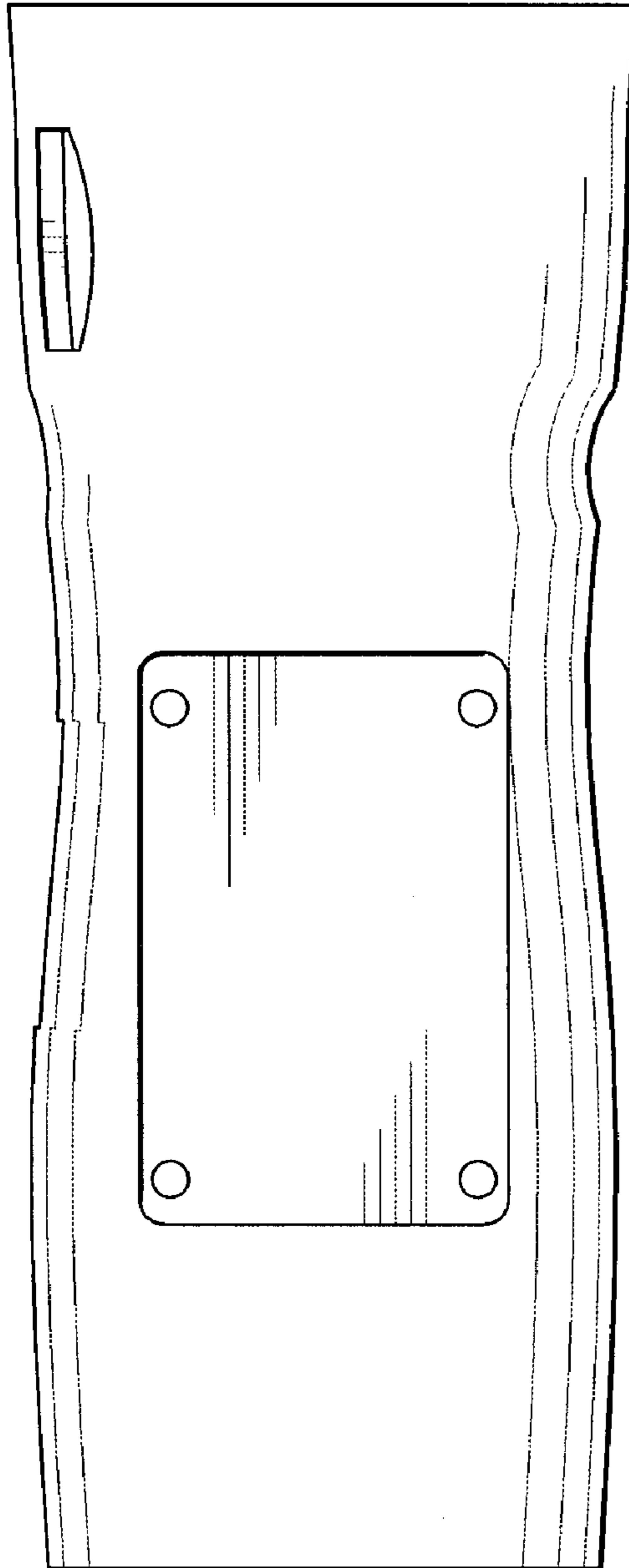


FIG. 5

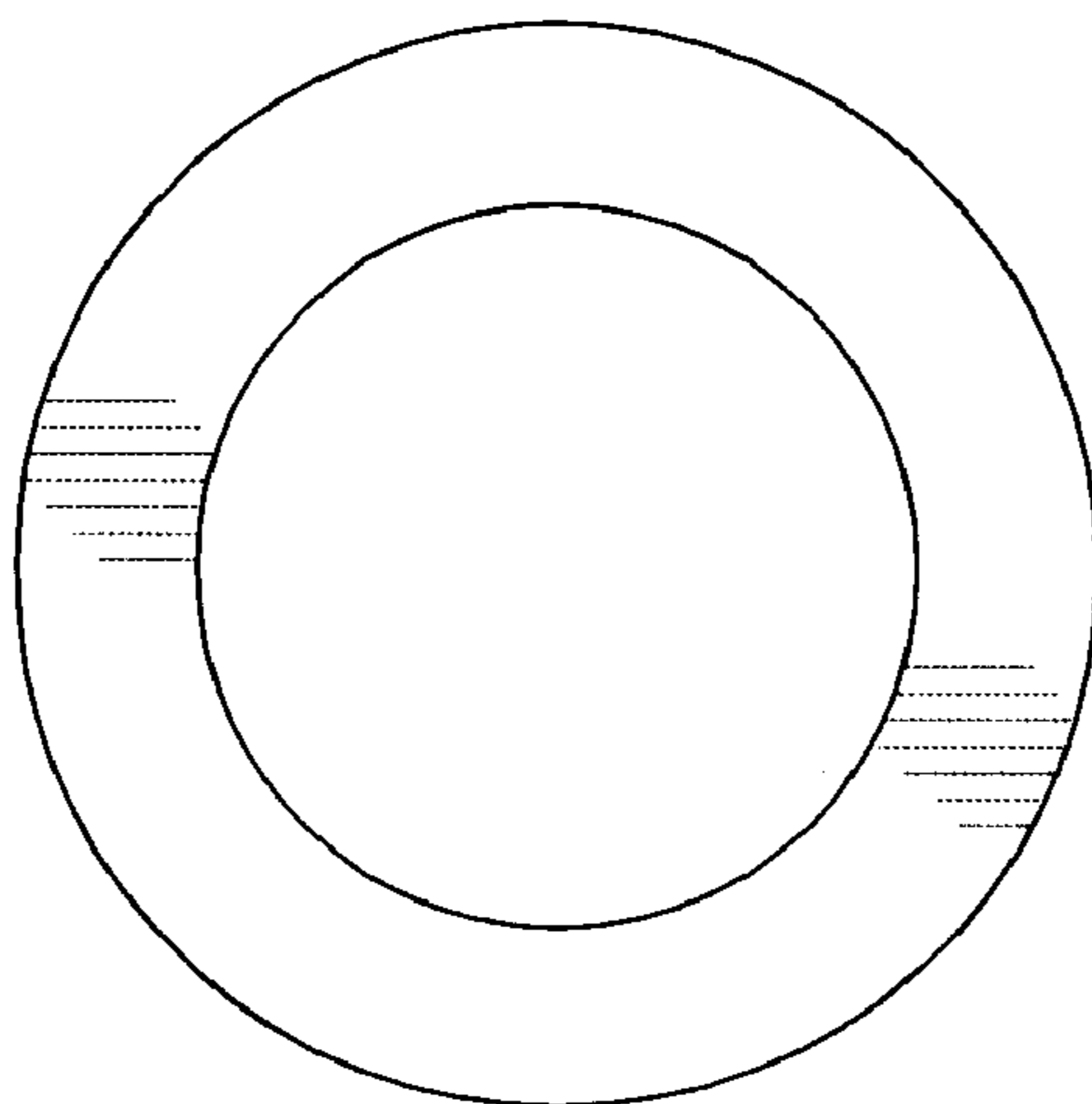


FIG. 6

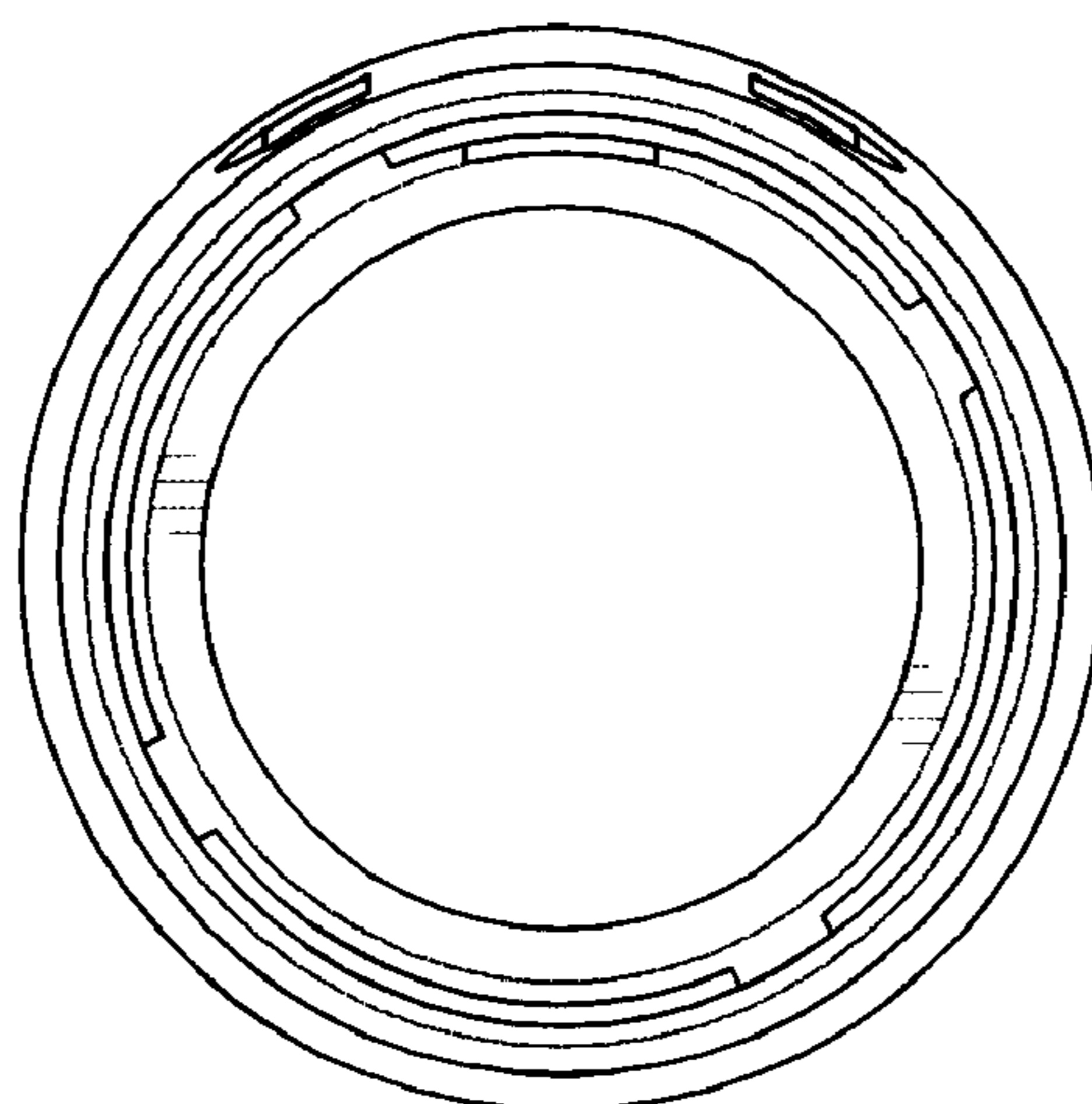


FIG. 7