



US00D520320S

(12) **United States Design Patent**
Corcoran

(10) **Patent No.:** **US D520,320 S**

(45) **Date of Patent:** **** May 9, 2006**

(54) **DRILL**

(75) Inventor: **Michael Corcoran**, Hexam (GB)

(73) Assignee: **Black & Decker Inc.**, Newark, DE (US)

(**) Term: **14 Years**

(21) Appl. No.: **29/222,144**

(22) Filed: **Jan. 26, 2005**

(30) **Foreign Application Priority Data**

Jul. 29, 2004 (EM) 000207188

(51) **LOC (8) Cl.** **08-01**

(52) **U.S. Cl.** **D8/68**

(58) **Field of Classification Search** D8/14.1,
D8/61, 62, 63, 64, 65, 66, 67, 68, 69, 70;
81/57.11, 429, 464, 465, 466, 469, 489; 173/13,
173/169, 178, 213, 217; 227/8, 114, 120,
227/130, 136, 142; 310/50; 408/20, 124,
408/125, 234, 241 R; 451/358

See application file for complete search history.

(56) **References Cited**

U.S. PATENT DOCUMENTS

4,098,351 A * 7/1978 Alessio 173/13
D279,862 S * 7/1985 Sato et al. D8/61
D280,883 S * 10/1985 Sakamoto et al. D8/68
4,689,534 A * 8/1987 Gerber et al. 310/50
D319,763 S * 9/1991 Reiferscheid D8/68
D406,742 S * 3/1999 Schoen et al. D8/68
D439,123 S * 3/2001 Sakai et al. D8/68
D441,268 S * 5/2001 Heun D8/68
D470,379 S * 2/2003 Andriolo D8/68
D486,049 S * 2/2004 Sugiura et al. D8/68

6,739,406 B1 * 5/2004 Lebisch et al. 173/213
D490,677 S * 6/2004 Chung et al. D8/68
D498,400 S * 11/2004 Wu D8/68
D502,376 S * 3/2005 Andriolo D8/68

FOREIGN PATENT DOCUMENTS

DE 000032693-0003 11/1993
DE DPMA 40008506.2 1/2001
DE 000106166-0001 3/2004
DE 000127030-0001 4/2004
EP EN 000039581-0001 10/2003
EP EN 000139266-0001 5/2004
FR 0301432 9/1991
FR 605 024 - 031 12/2000
FR 657 282 - 336 3/2002
GB 2068866 S * 3/1997
GB 2104783 S * 9/2001

* cited by examiner

Primary Examiner—Gary D. Watson

Assistant Examiner—T. Chase Nelson

(74) *Attorney, Agent, or Firm*—Bruce S. Shapiro; John Yun; Wesley W. Muller

(57) **CLAIM**

The ornamental design for a drill, as shown and described.

DESCRIPTION

FIG. 1 is a left/front perspective view of a drill showing my new design.

FIG. 2 is a front view thereof.

FIG. 3 is a rear view thereof.

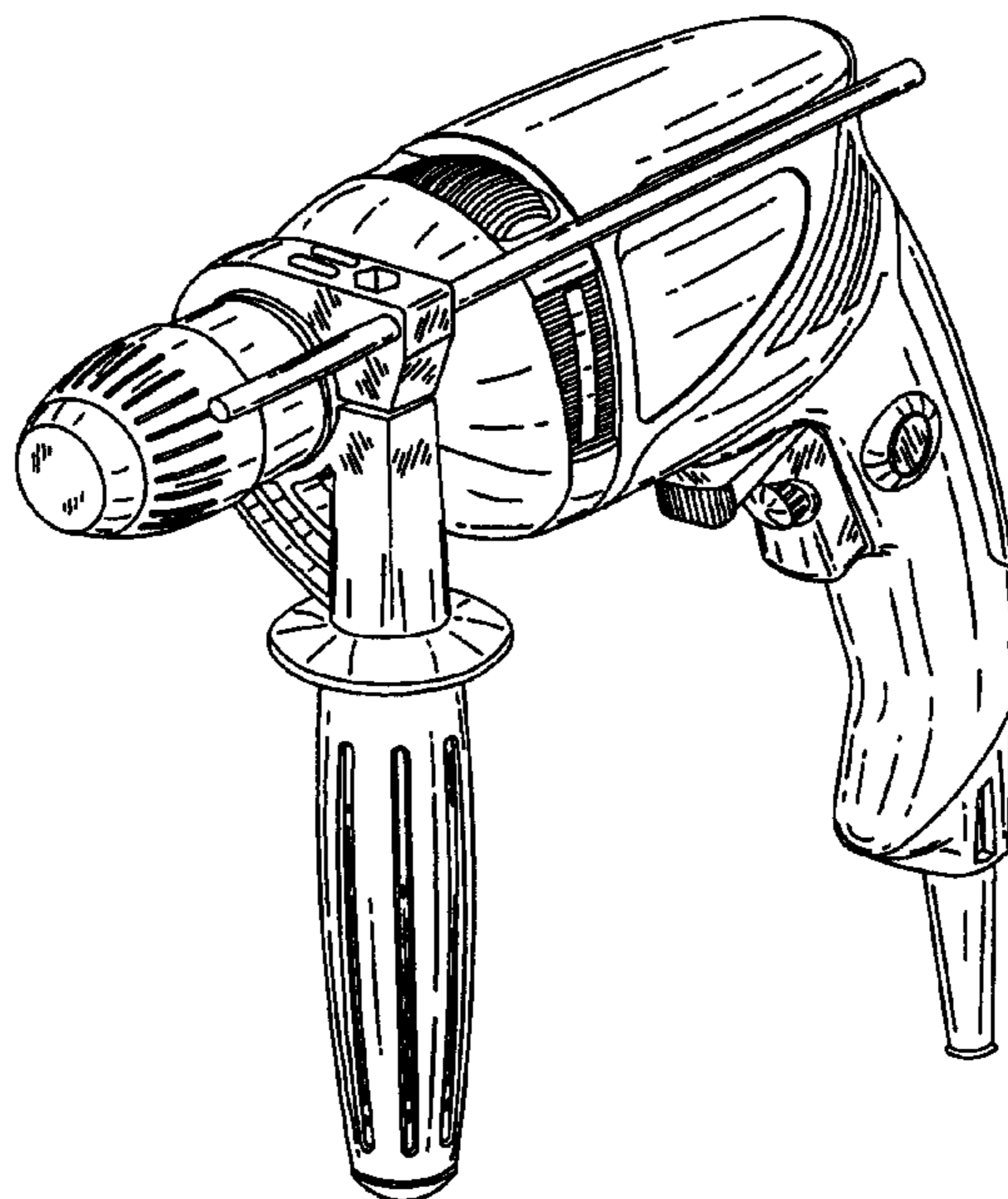
FIG. 4 is a left side view thereof.

FIG. 5 is a right side view thereof.

FIG. 6 is a top plan view thereof; and,

FIG. 7 is a bottom plan view thereof.

1 Claim, 5 Drawing Sheets



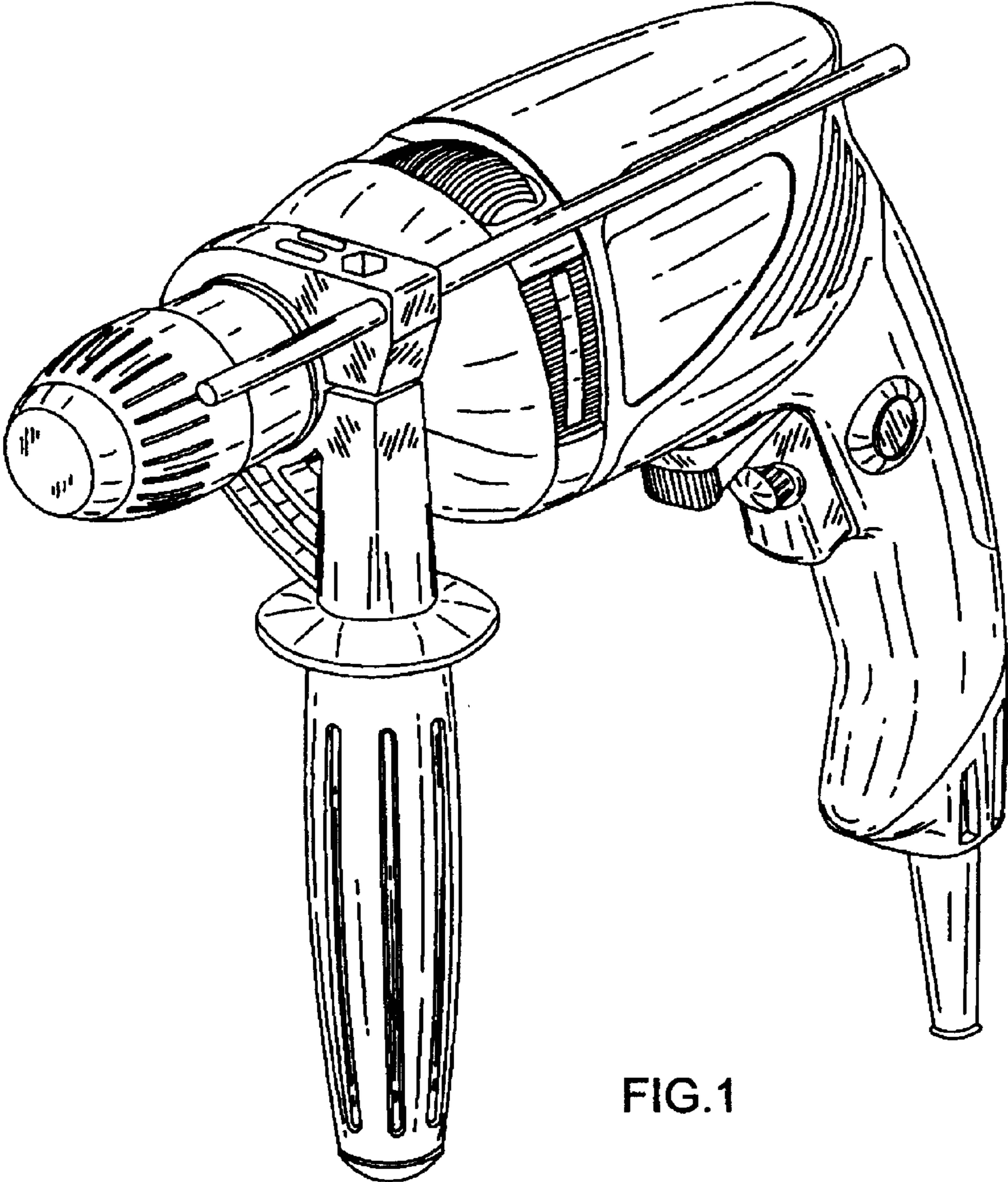


FIG. 1

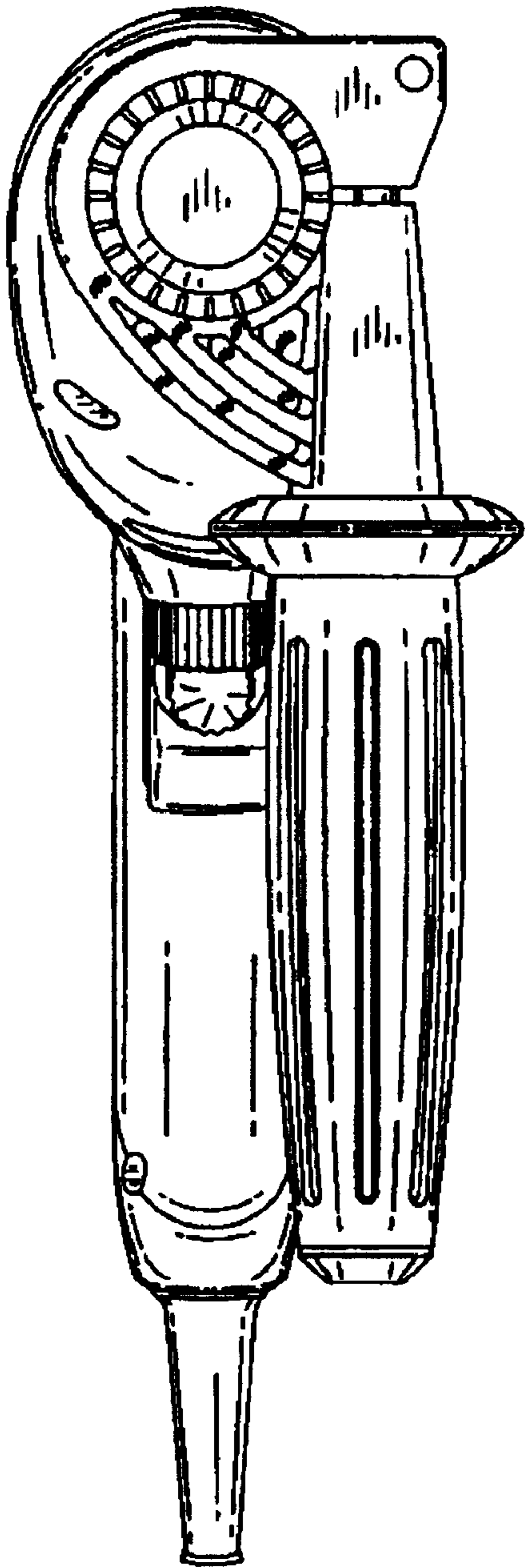


FIG. 2

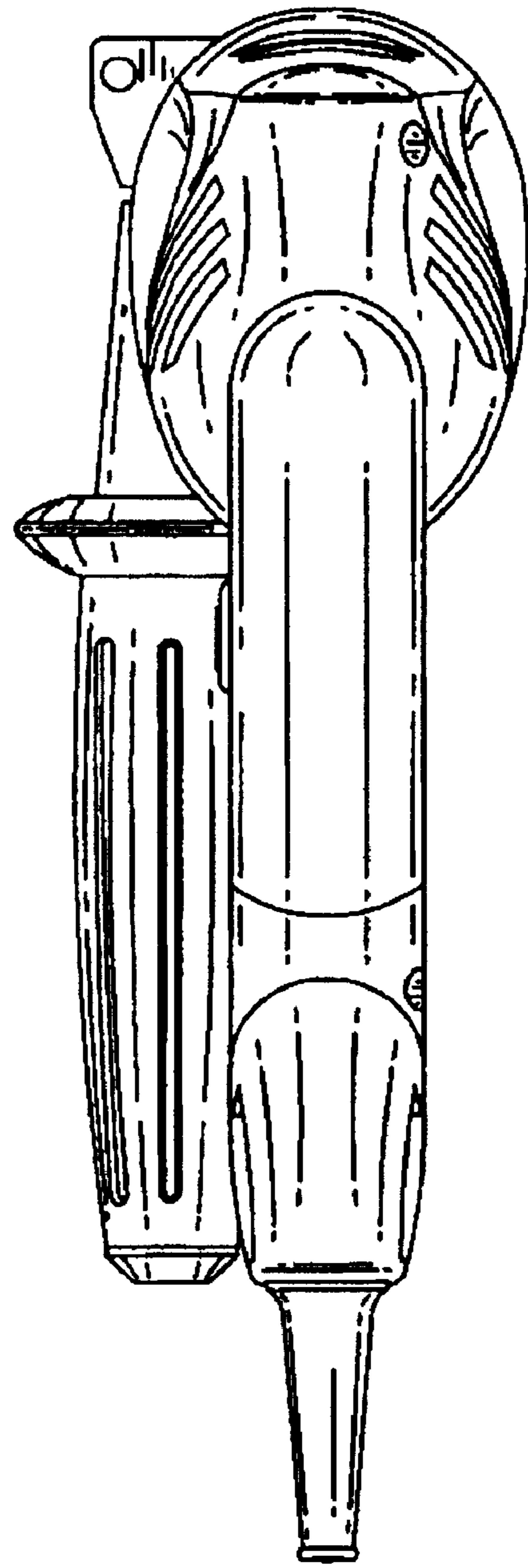


FIG. 3

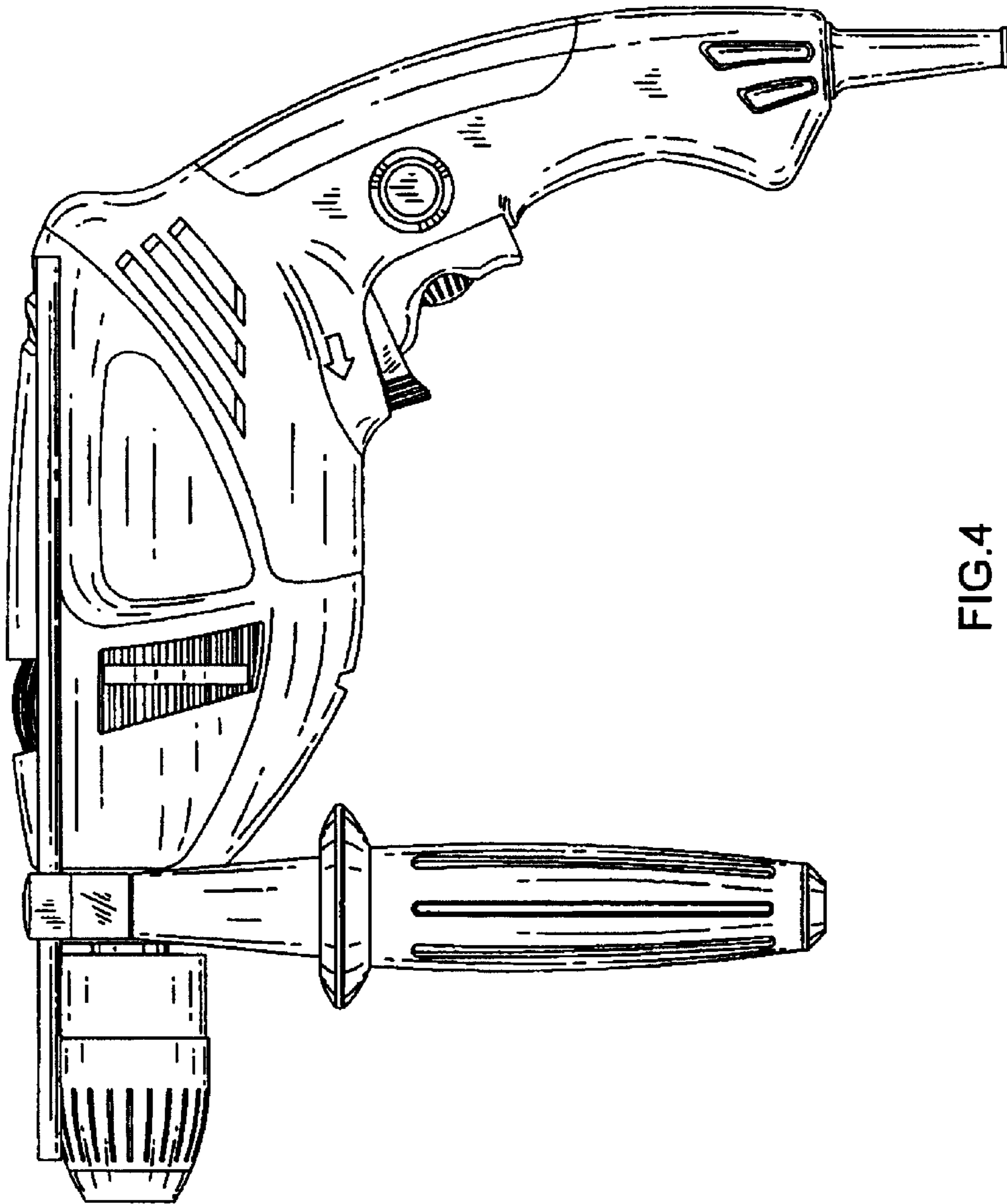


FIG.4

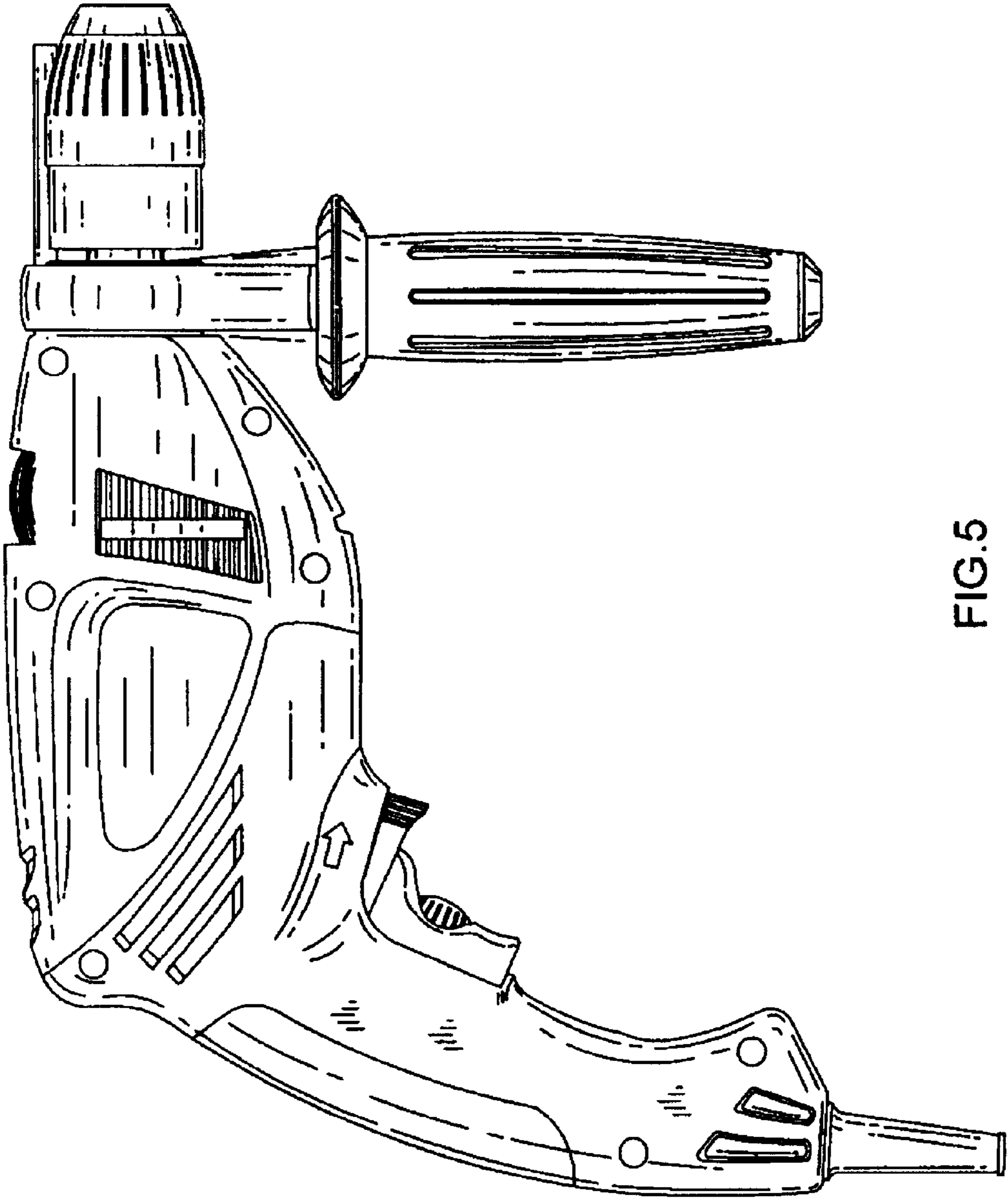


FIG.5

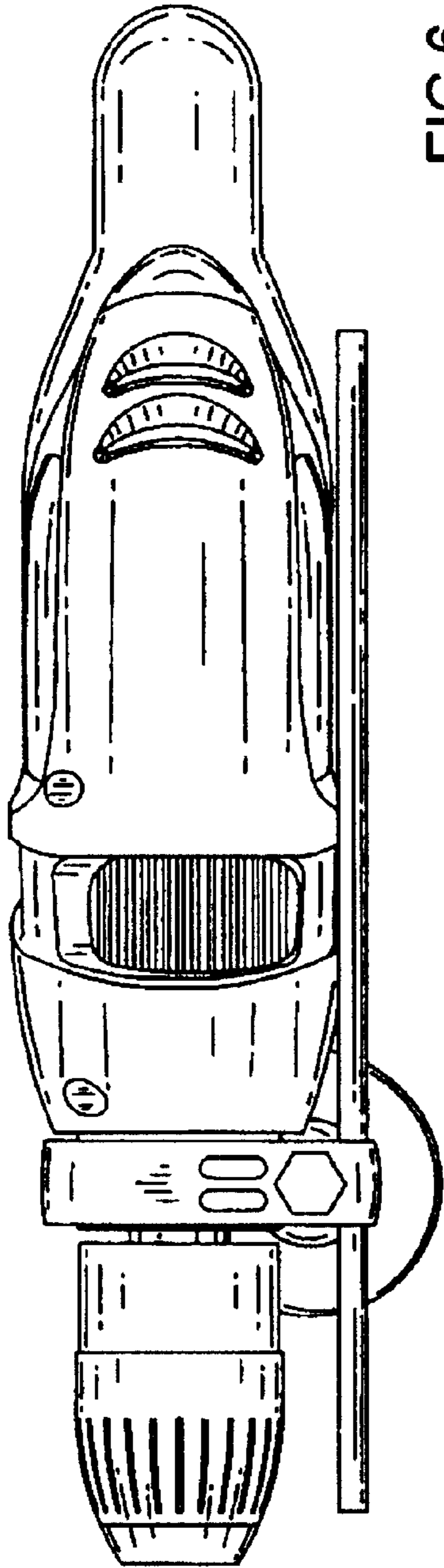


FIG. 6

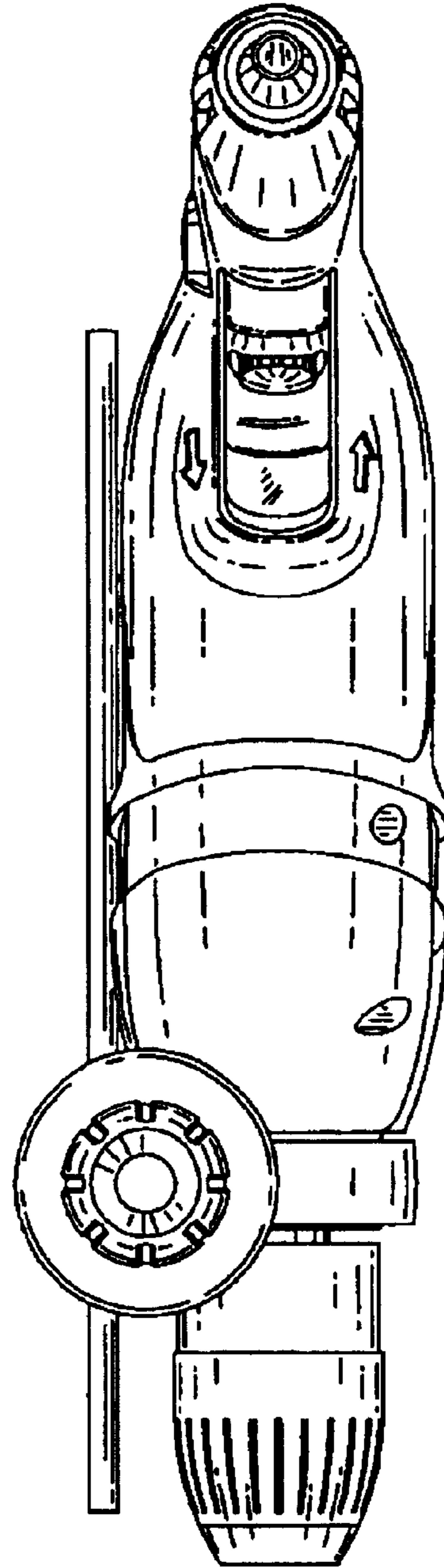


FIG. 7