



US00D520319S

(12) **United States Design Patent**  
**Aglassinger**

(10) **Patent No.:** **US D520,319 S**

(45) **Date of Patent:** **\*\* May 9, 2006**

(54) **CIRCULAR SAW**

(75) Inventor: **Hans-Peter Aglassinger**, Esslingen  
(DE)

(73) Assignee: **Robert Bosch GmbH**, Stuttgart (DE)

(\*\*) Term: **14 Years**

(21) Appl. No.: **29/228,787**

(22) Filed: **Apr. 28, 2005**

(30) **Foreign Application Priority Data**

Feb. 3, 2005 (DE) ..... 4 05 00 601

(51) **LOC (8) Cl.** ..... **08-03**

(52) **U.S. Cl.** ..... **D8/66**

(58) **Field of Classification Search** ..... D8/69,  
D8/68, 67, 66, 64, 61, 70; 83/698.41, 747;  
30/166.3, 374, 373, 375, 376, 391, 377, 390,  
30/388, 389; 125/13.01; 144/218

See application file for complete search history.

(56) **References Cited**

**U.S. PATENT DOCUMENTS**

5,121,545	A	*	6/1992	Nonaka et al.	30/376
D329,363	S	*	9/1992	Sasaki et al.	D8/66
D334,523	S	*	4/1993	Hoshino et al.	D8/66
5,327,649	A	*	7/1994	Skinner	30/124
5,873,169	A	*	2/1999	James et al.	30/391
5,924,207	A	*	7/1999	Price et al.	30/376

6,167,626	B1	*	1/2001	Doumani et al.	30/124
D453,099	S	*	1/2002	Welsh	D8/66
D474,952	S	*	5/2003	Andriolo	D8/66
6,681,493	B1	*	1/2004	Mori et al.	30/376
D499,001	S	*	11/2004	Wu	D8/66
D501,776	S	*	2/2005	Wu	D8/66
D502,373	S	*	3/2005	Wu	D8/66
D503,878	S	*	4/2005	Tillman et al.	D8/66
6,951,057	B1	*	10/2005	Yoshida et al.	30/376
2003/0024128	A1	*	2/2003	Kani	30/376
2003/0024368	A1	*	2/2003	Fukuoka	83/698.41

\* cited by examiner

*Primary Examiner*—Cathron C. Brooks

*Assistant Examiner*—Austin Murphy

(74) *Attorney, Agent, or Firm*—Michael J. Striker

(57) **CLAIM**

The ornamental design for a circular saw, as shown and described.

**DESCRIPTION**

FIG. 1 is a top perspective view of a circular saw showing my new design;

FIG. 2 is a rear view thereof;

FIG. 3 is a side view thereof;

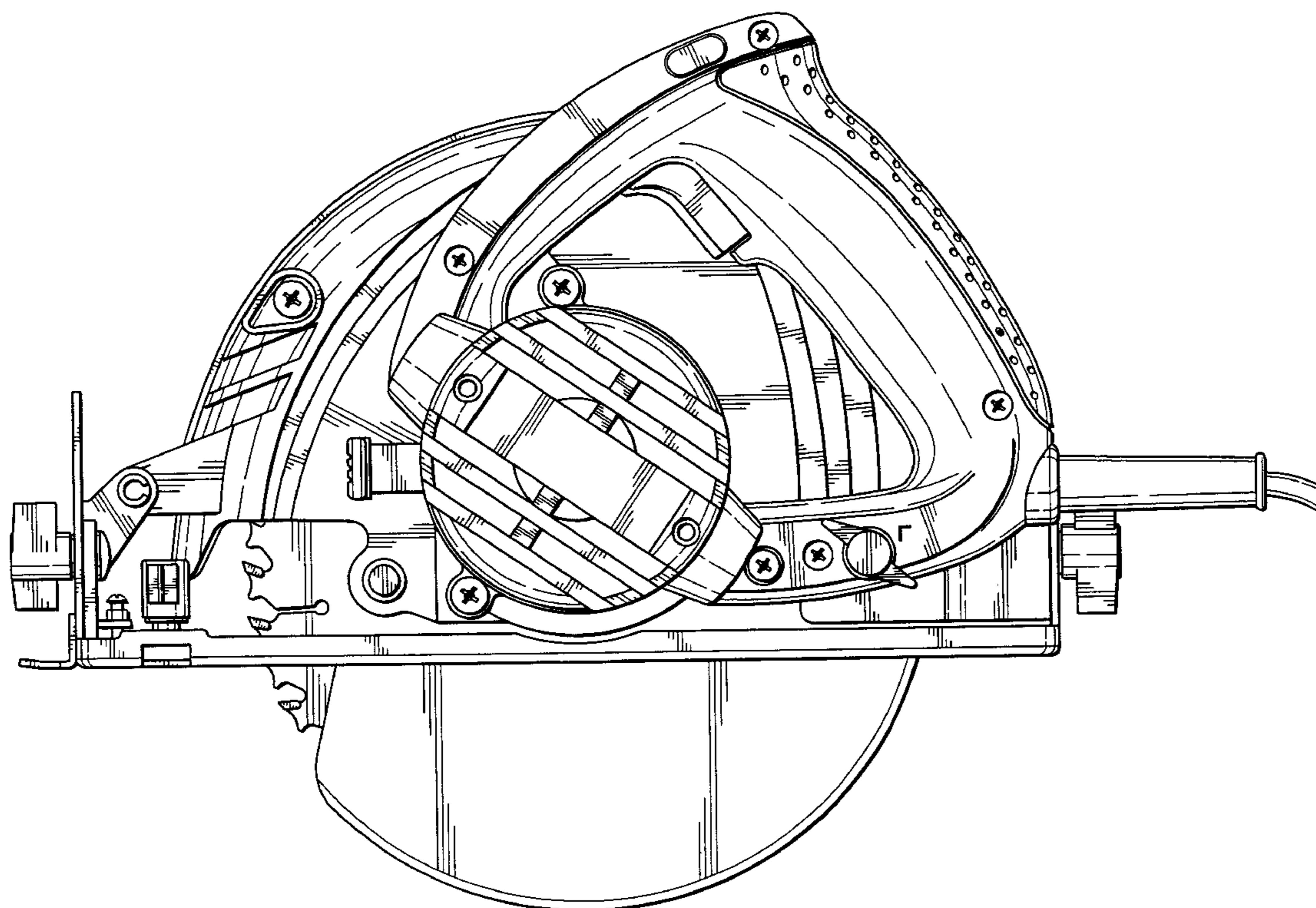
FIG. 4 is a front view thereof;

FIG. 5 is the opposite side view of FIG. 3;

FIG. 6 is a bottom view thereof; and,

FIG. 7 is a top view thereof.

**1 Claim, 7 Drawing Sheets**



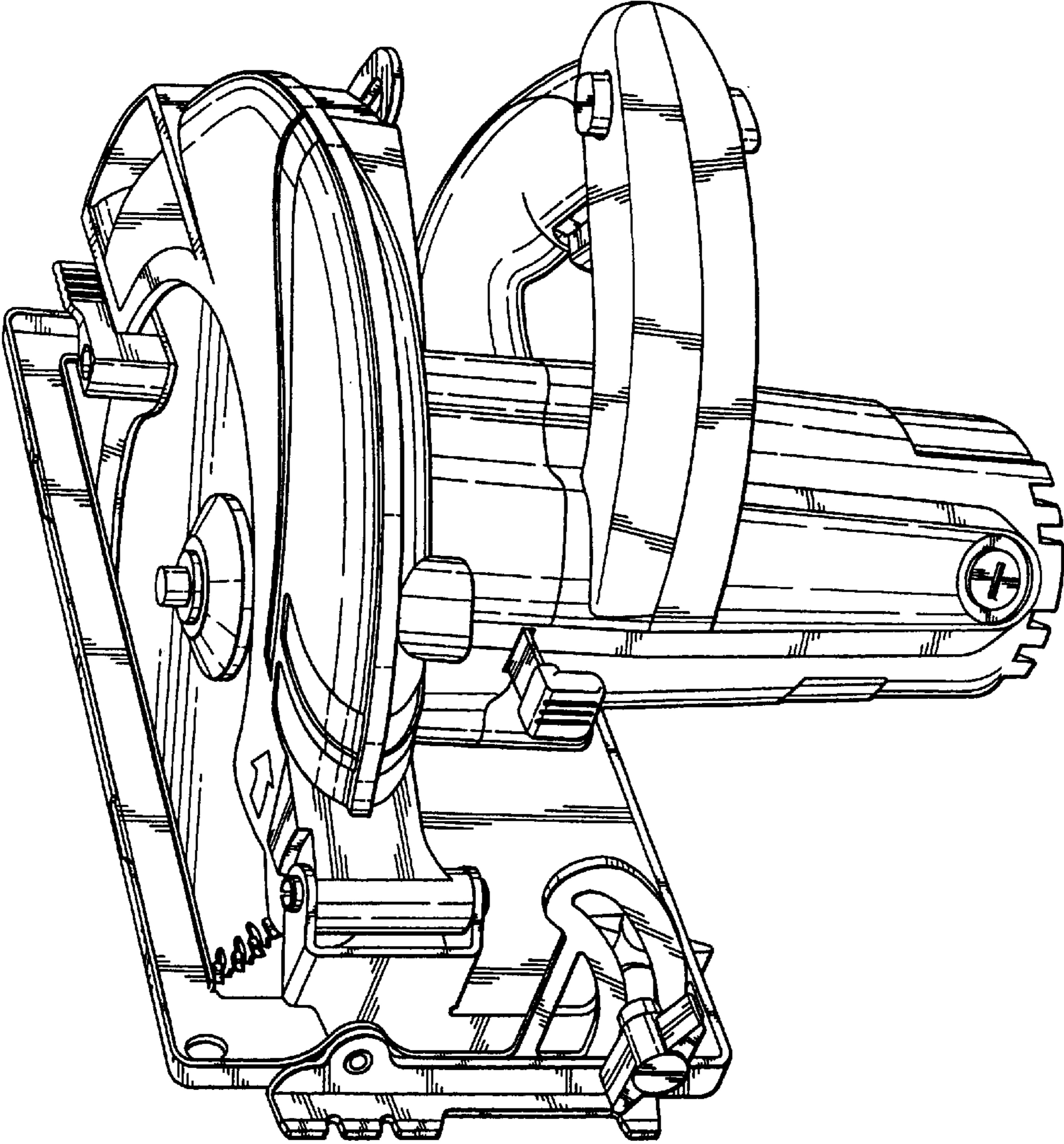


FIG. 1

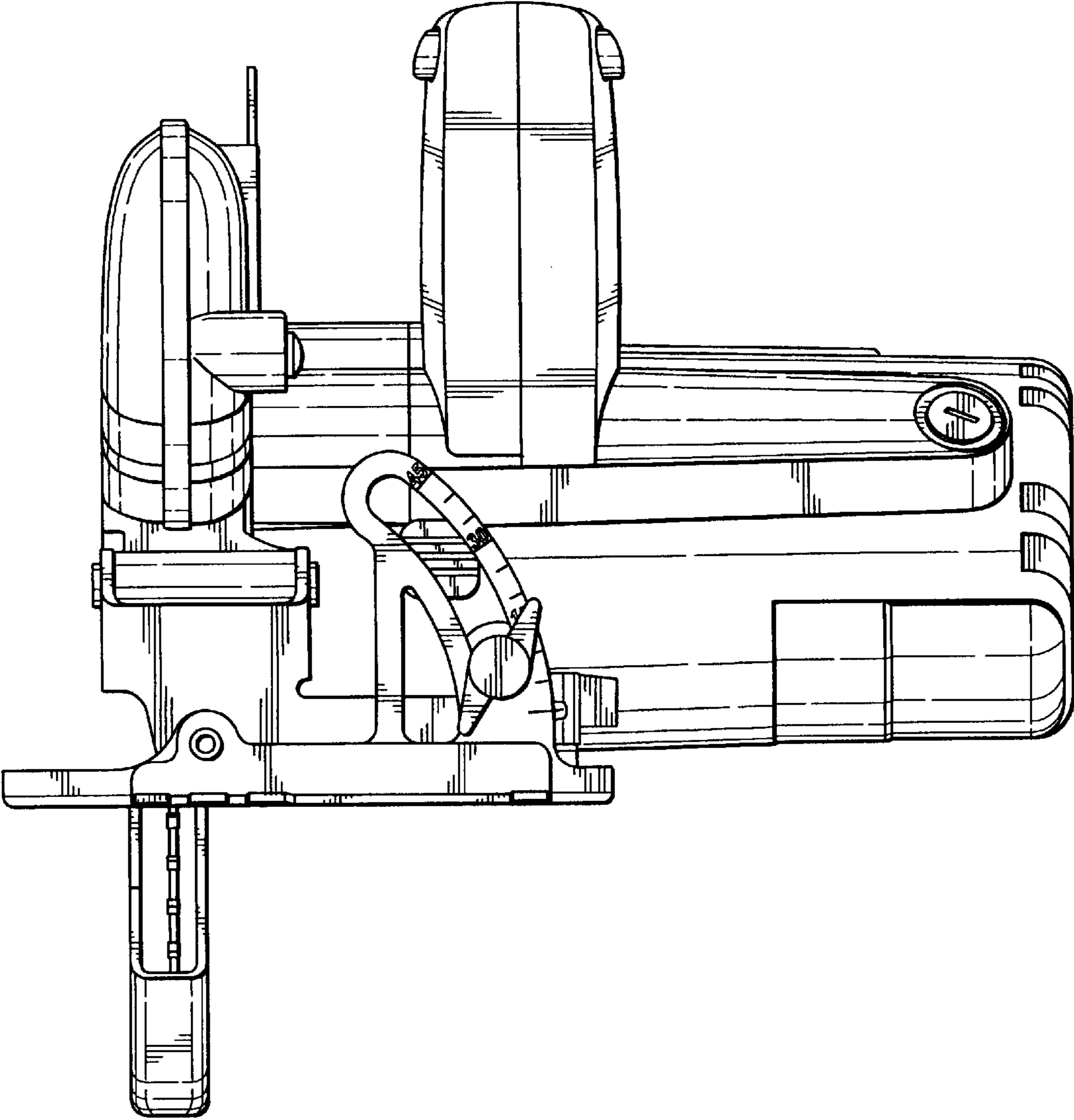


FIG. 2



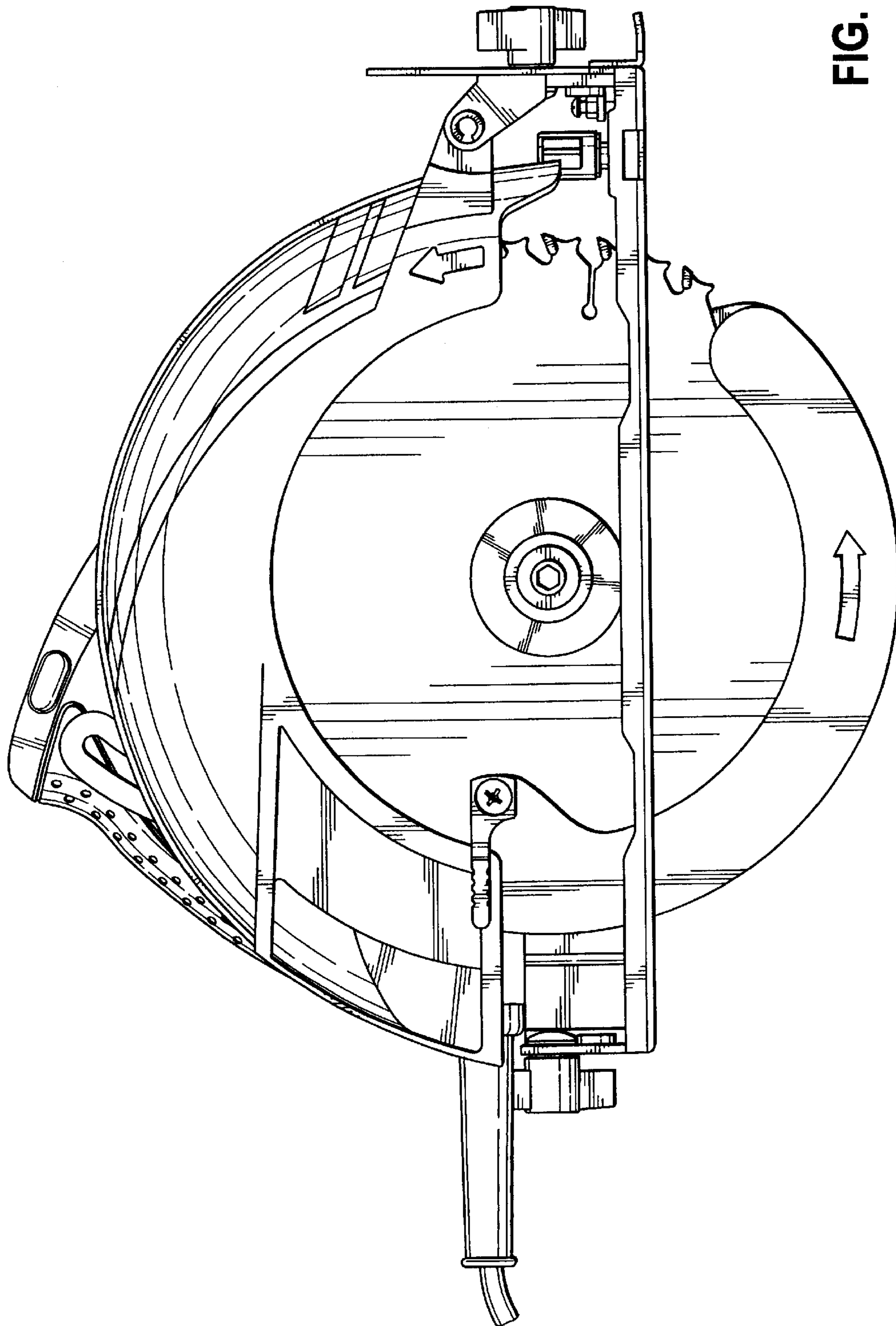


FIG. 3

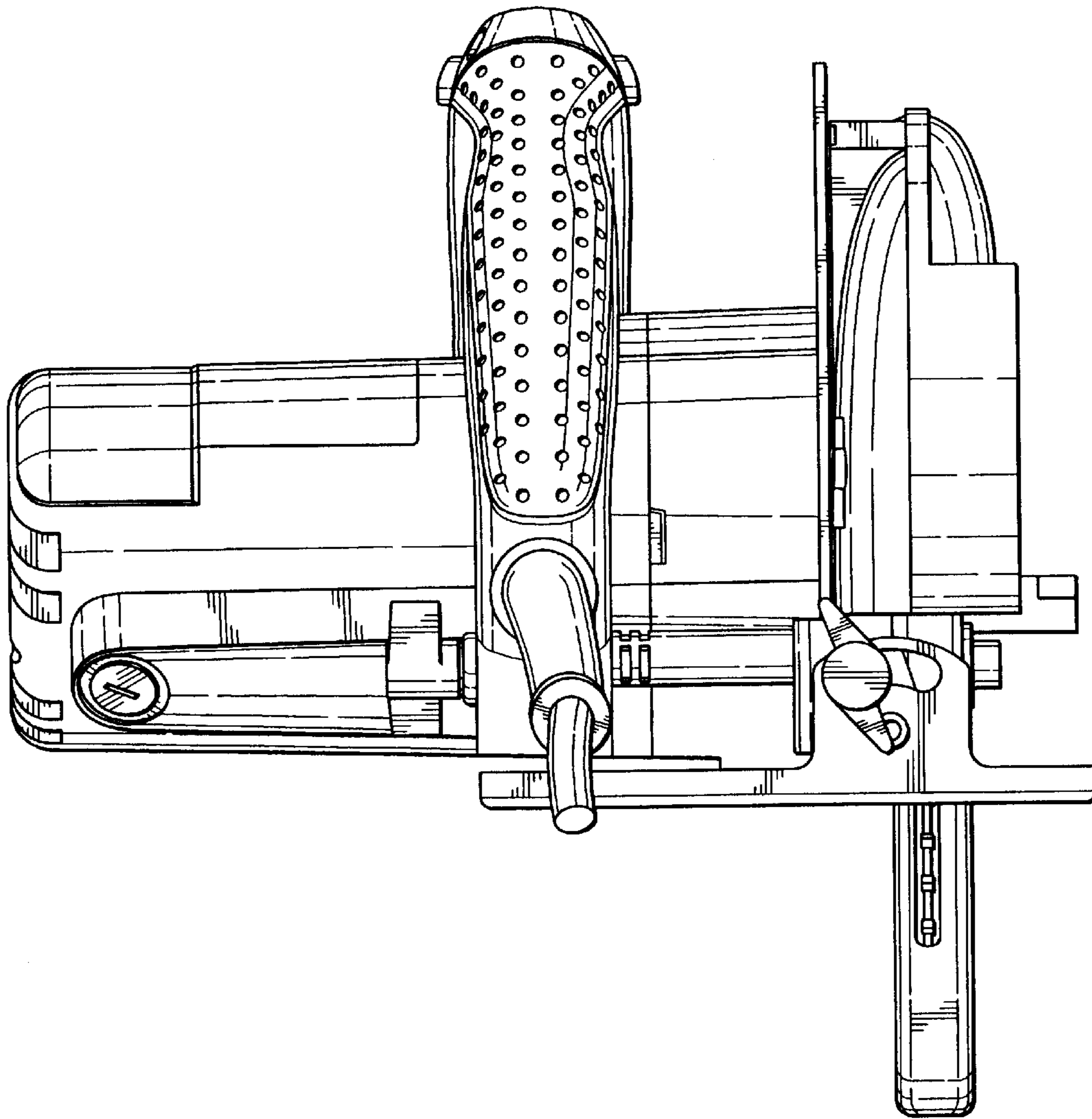


FIG. 4

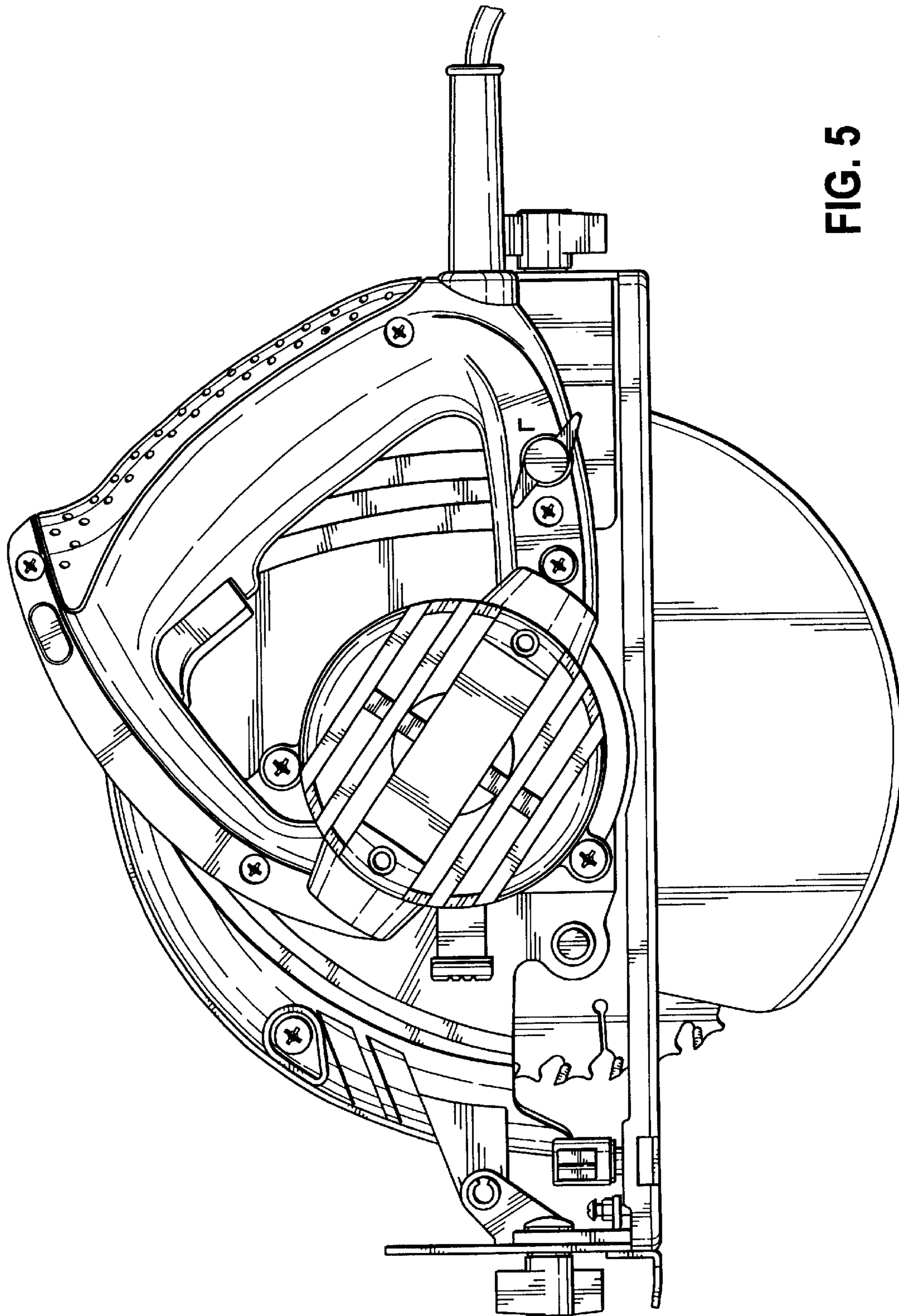


FIG. 5

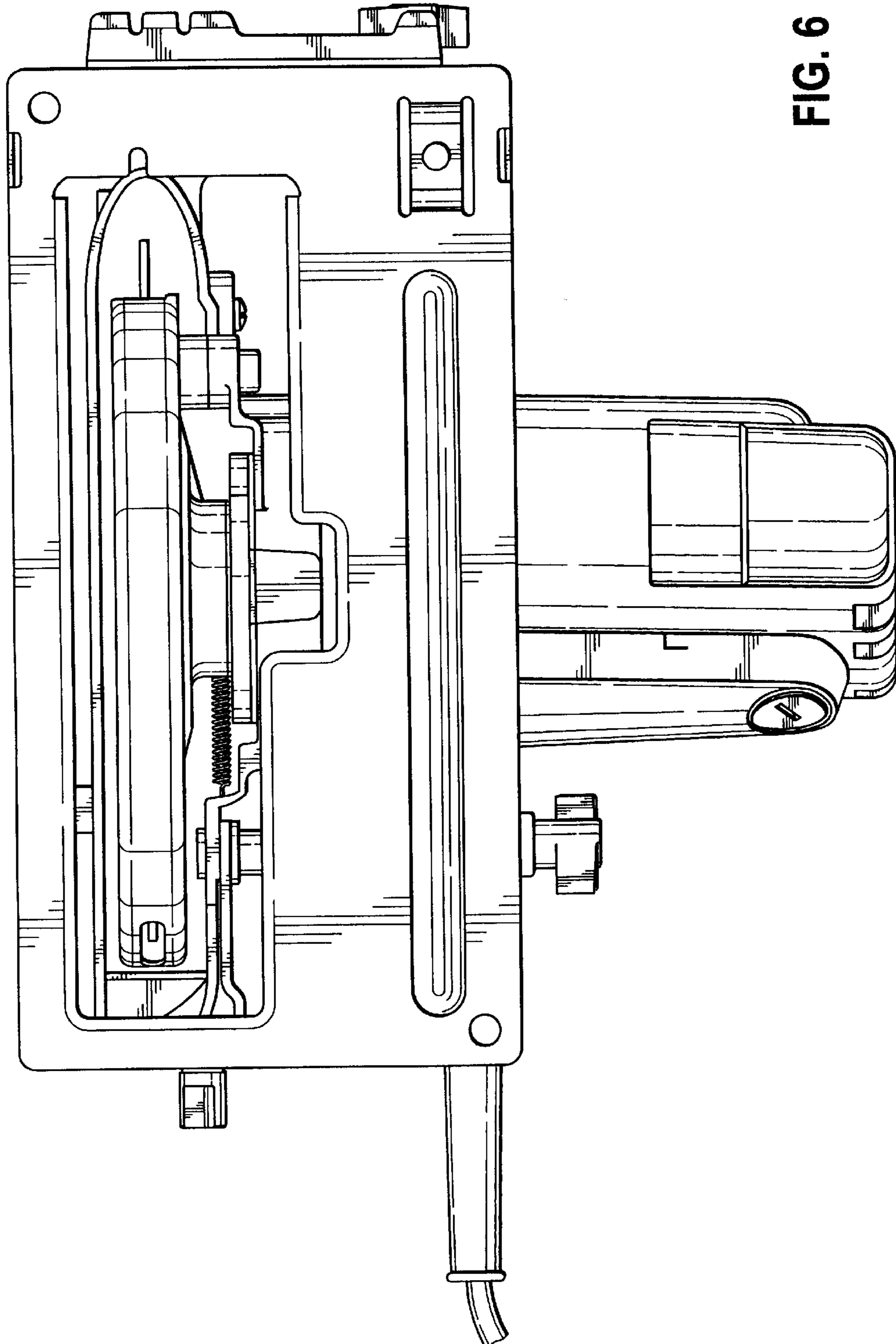


FIG. 6

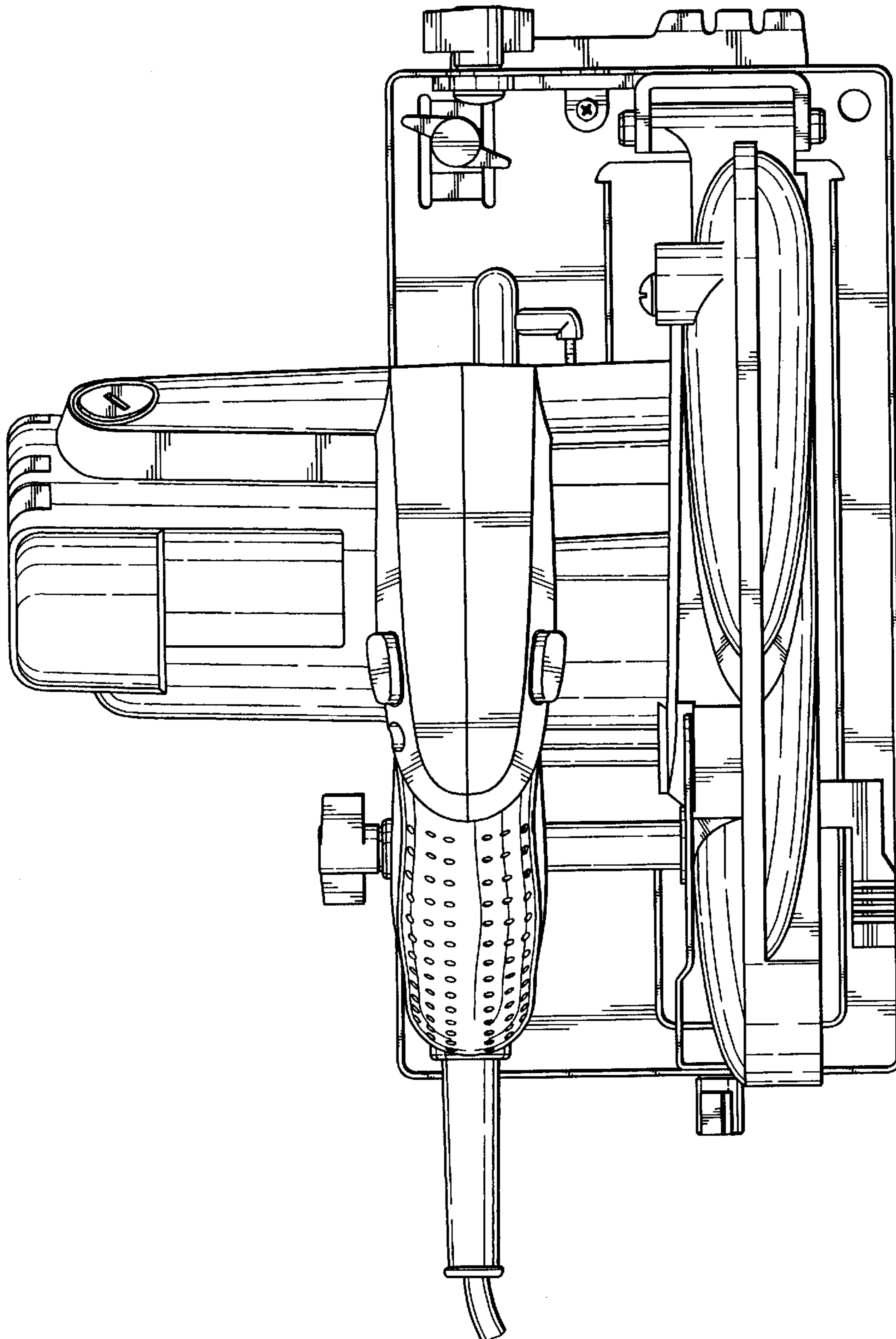


FIG. 7