



US00D520317S

(12) **United States Design Patent**  
**Robson**

(10) **Patent No.:** **US D520,317 S**  
(45) **Date of Patent:** **\*\* May 9, 2006**

(54) **BELT SANDER**

2004/0192181 A1 \* 9/2004 Bohne et al. .... 451/451

(75) Inventor: **Nigel Robson**, Gateshead (GB)

FOREIGN PATENT DOCUMENTS

(73) Assignee: **Black & Decker Inc.**, Newark, DE  
(US)

DE	M 90 05 221	4/1991
DE	498 10 112	6/1999
DE	498 12 037	8/1999
DE	401 07 535	4/2002
DE	401 09 686	7/2002
DE	402 05 807	11/2002
DE	403 03 994	11/2003
FR	DM 059818	2/2002
FR	DM 062572	11/2002

(\*\*) Term: **14 Years**

(21) Appl. No.: **29/199,558**

(22) Filed: **Feb. 17, 2004**

(51) **LOC (8) Cl.** ..... **08-01**

(52) **U.S. Cl.** ..... **D8/62**

(58) **Field of Classification Search** ..... D8/61,  
D8/62, 67, 70; 30/475, 476, 477; 81/54, 474;  
144/114.1, 117.4, 154.5; 173/170, 171, 217;  
310/50; 451/344, 351, 353, 354, 355, 356,  
451/357, 358, 359, 451, 456

See application file for complete search history.

\* cited by examiner

*Primary Examiner*—Jeffrey Asch

*Assistant Examiner*—Elizabeth Albert

(74) *Attorney, Agent, or Firm*—Bruce S. Shapiro; John Yun; Wesley W. Muller

(57) **CLAIM**

The ornamental design for a belt sander, as shown and described.

(56) **References Cited**

U.S. PATENT DOCUMENTS

D176,001 S	*	11/1955	Bentley	.....	D8/62
D305,721 S	*	1/1990	Fushiya et al.	.....	D8/62
D323,099 S		1/1992	Sakamoto et al.		
D400,073 S	*	10/1998	Hara	.....	D8/62
D420,875 S		2/2000	Okitsu et al.		
D431,438 S		10/2000	Flender et al.		
D478,261 S		8/2003	Sham		
D487,008 S		2/2004	Andriolo		
D502,072 S	*	2/2005	Wright	.....	D8/62

**DESCRIPTION**

FIG. 1 is a front perspective view of a belt sander.

FIG. 2 is a right side elevational view thereof.

FIG. 3 is a left side elevational view thereof.

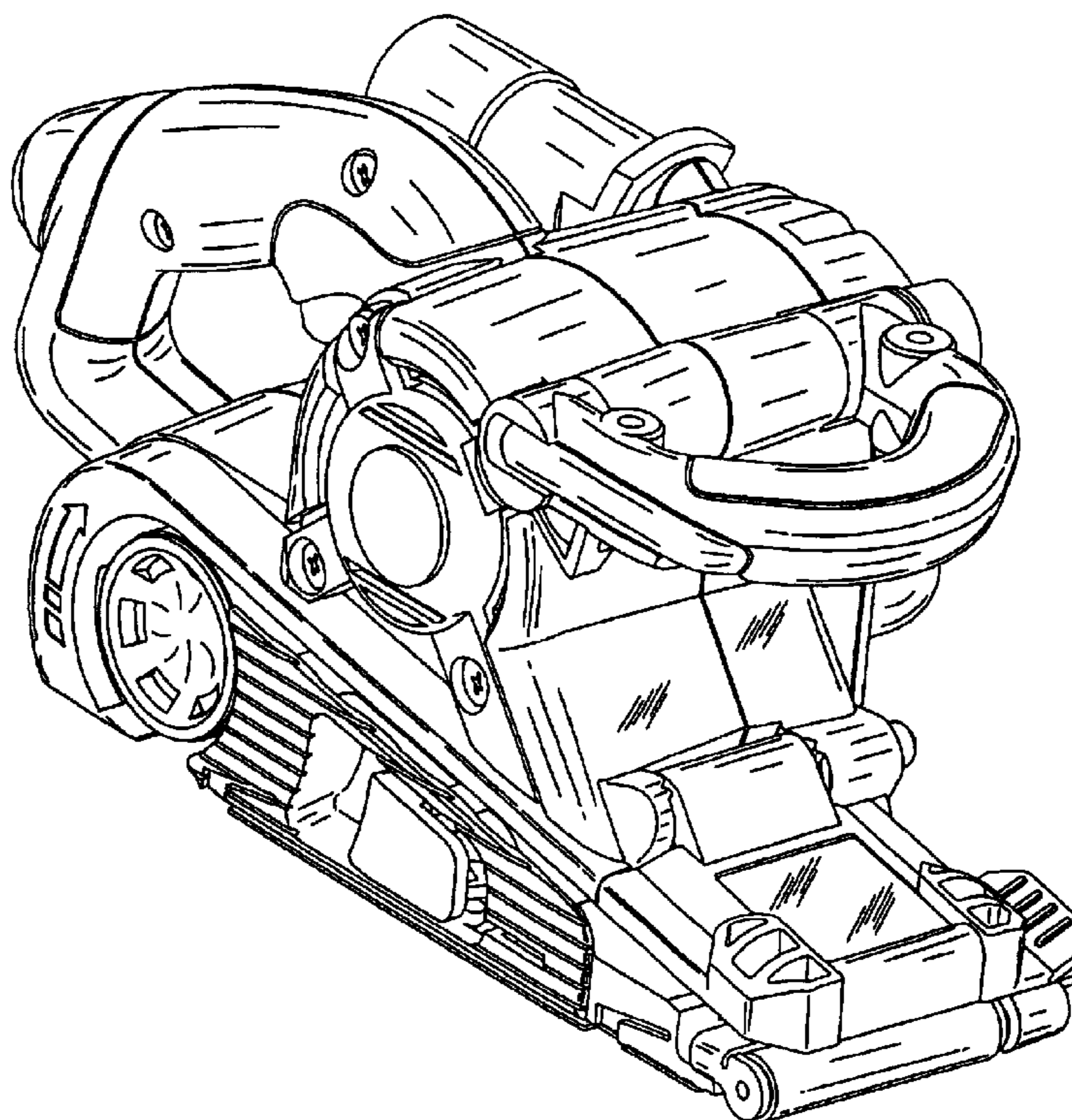
FIG. 4 is a top view thereof.

FIG. 5 is a bottom view thereof.

FIG. 6 is a front elevational view thereof; and,

FIG. 7 is a rear elevational view thereof.

**1 Claim, 7 Drawing Sheets**



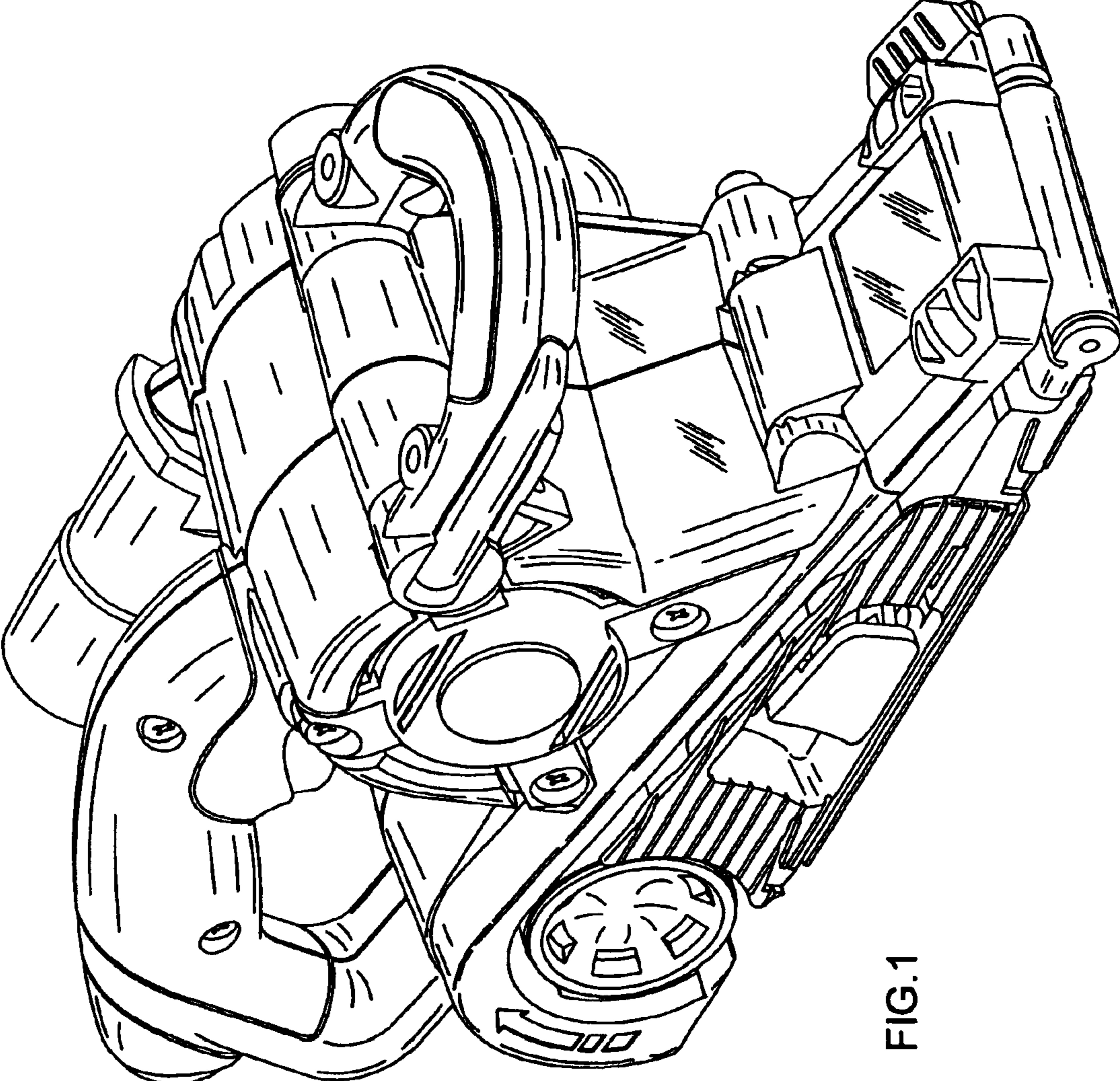


FIG.1



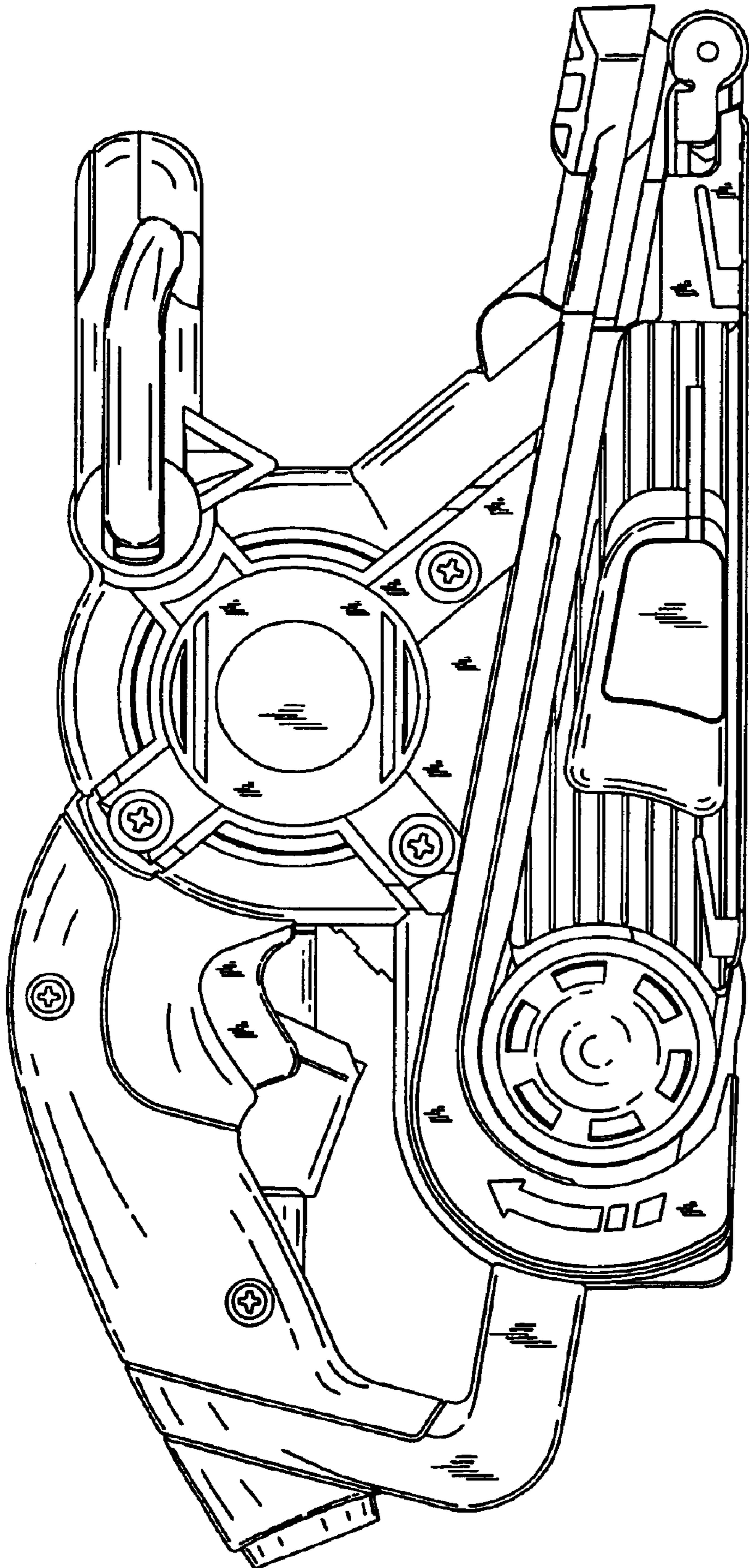


FIG.2

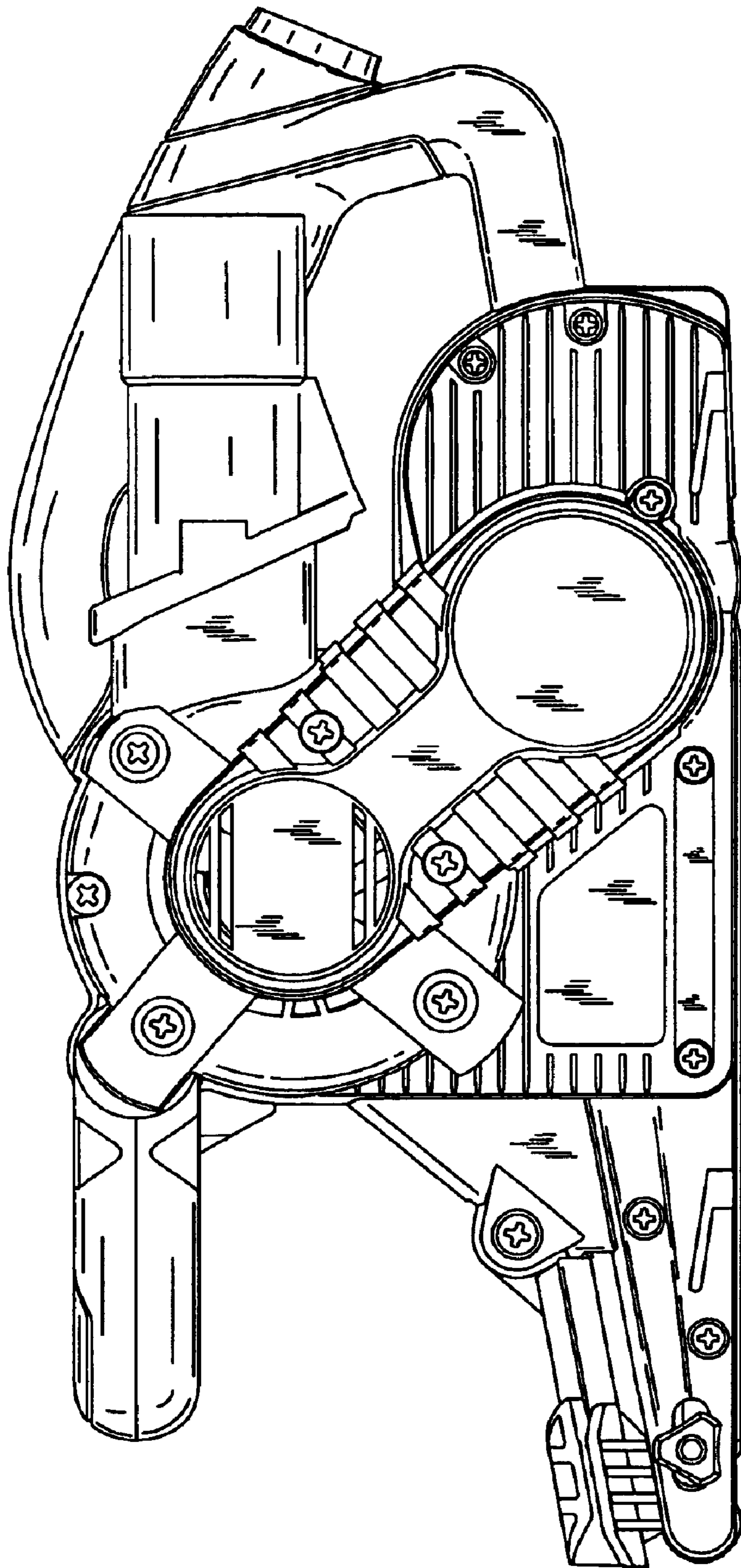


FIG.3

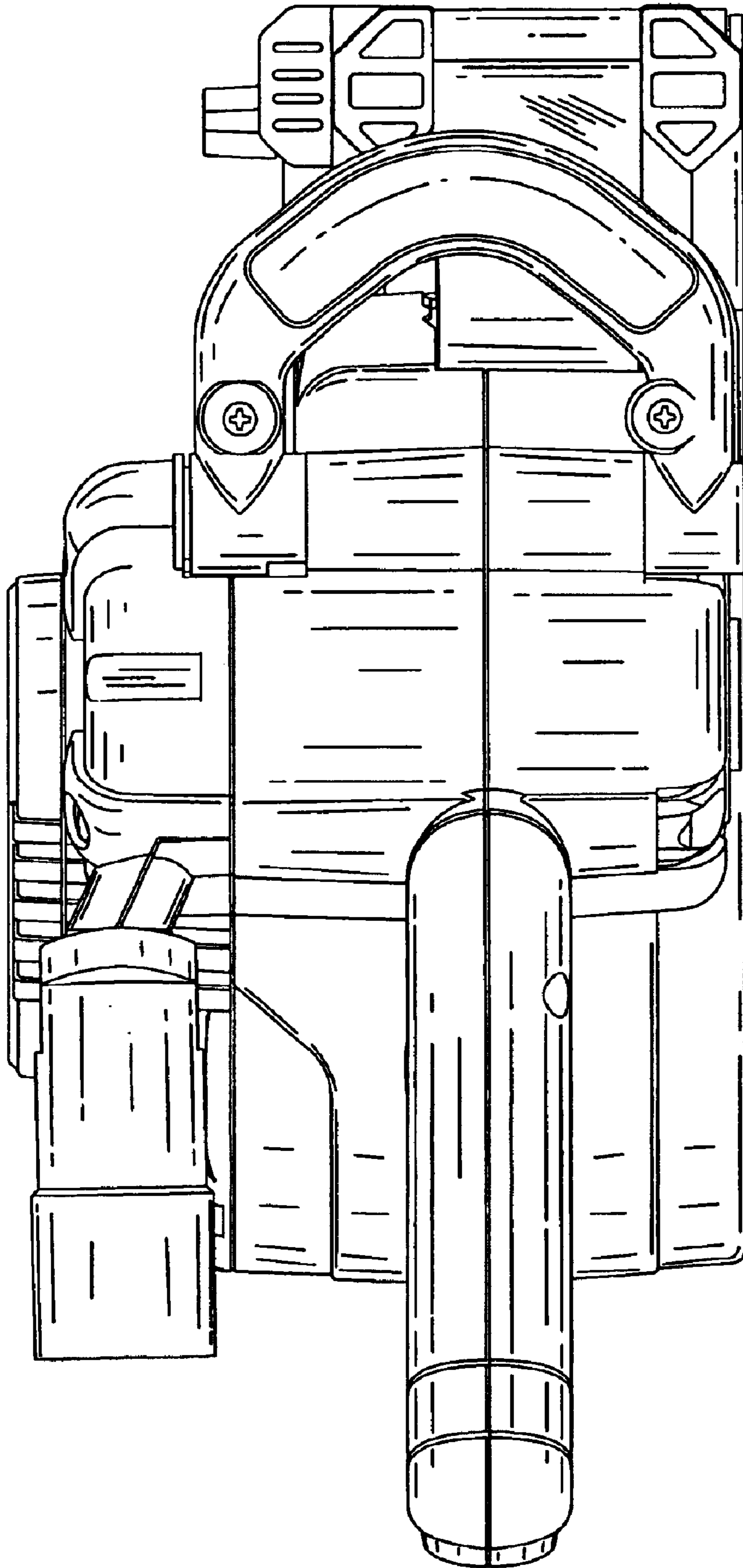


FIG.4

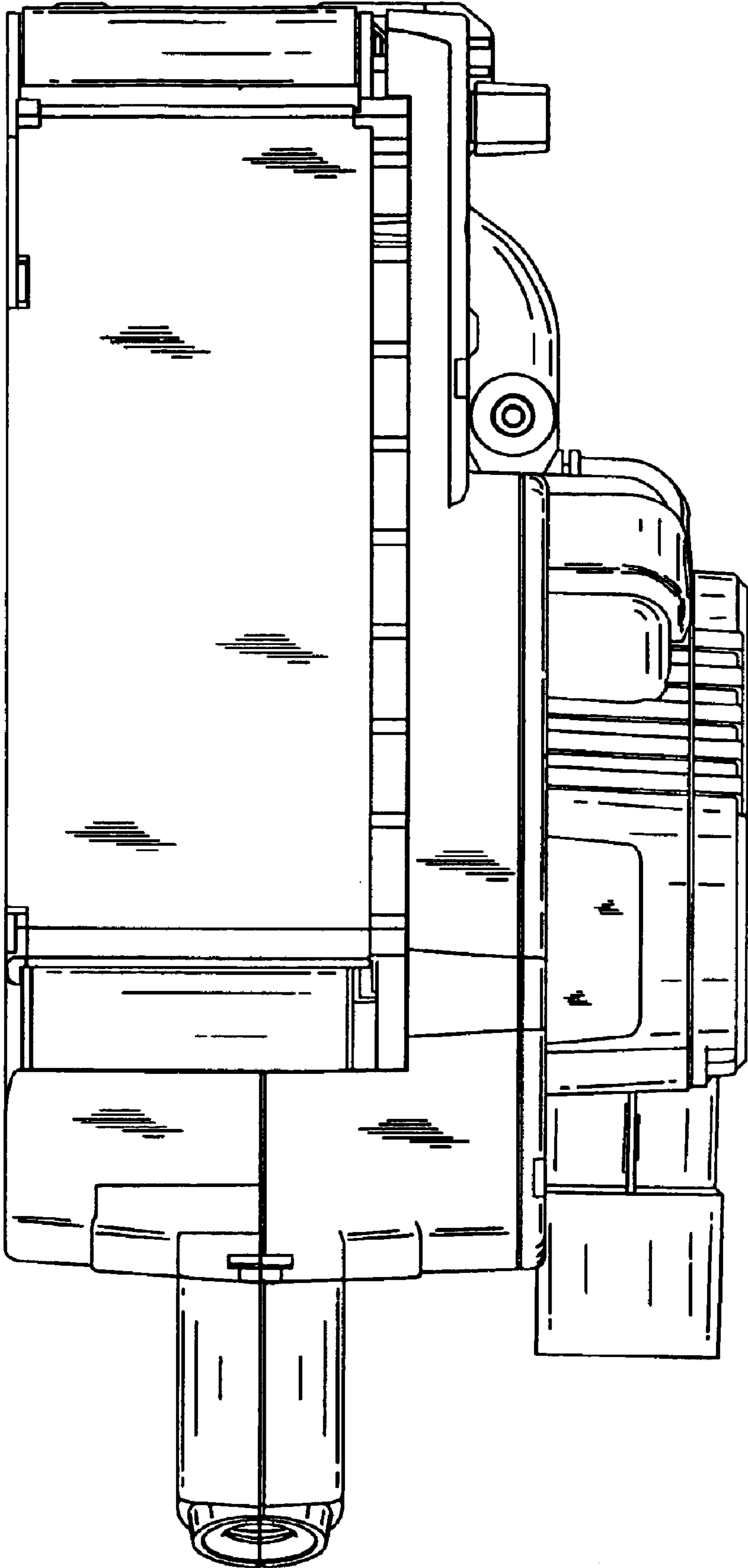


FIG.5

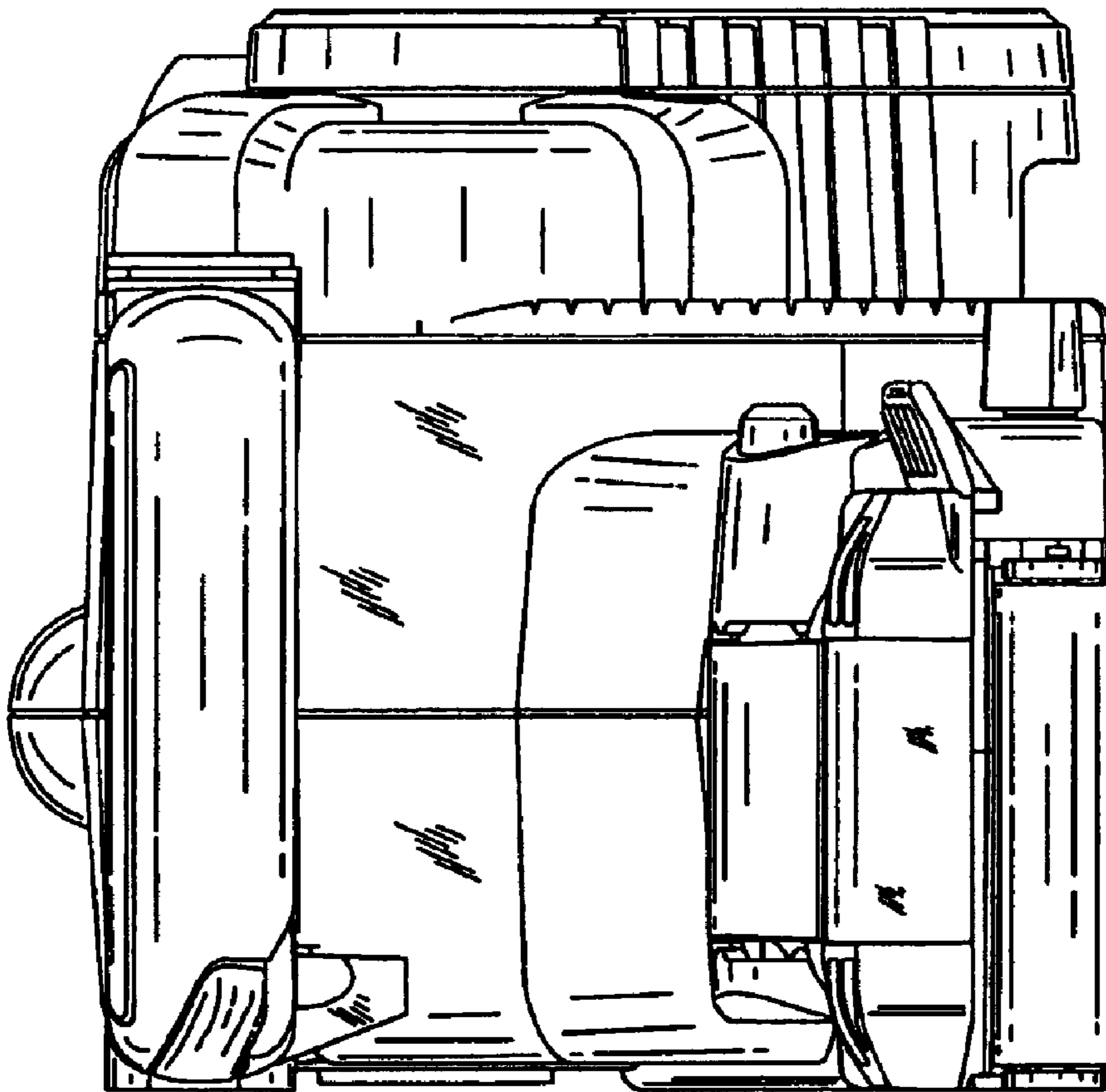


FIG.6



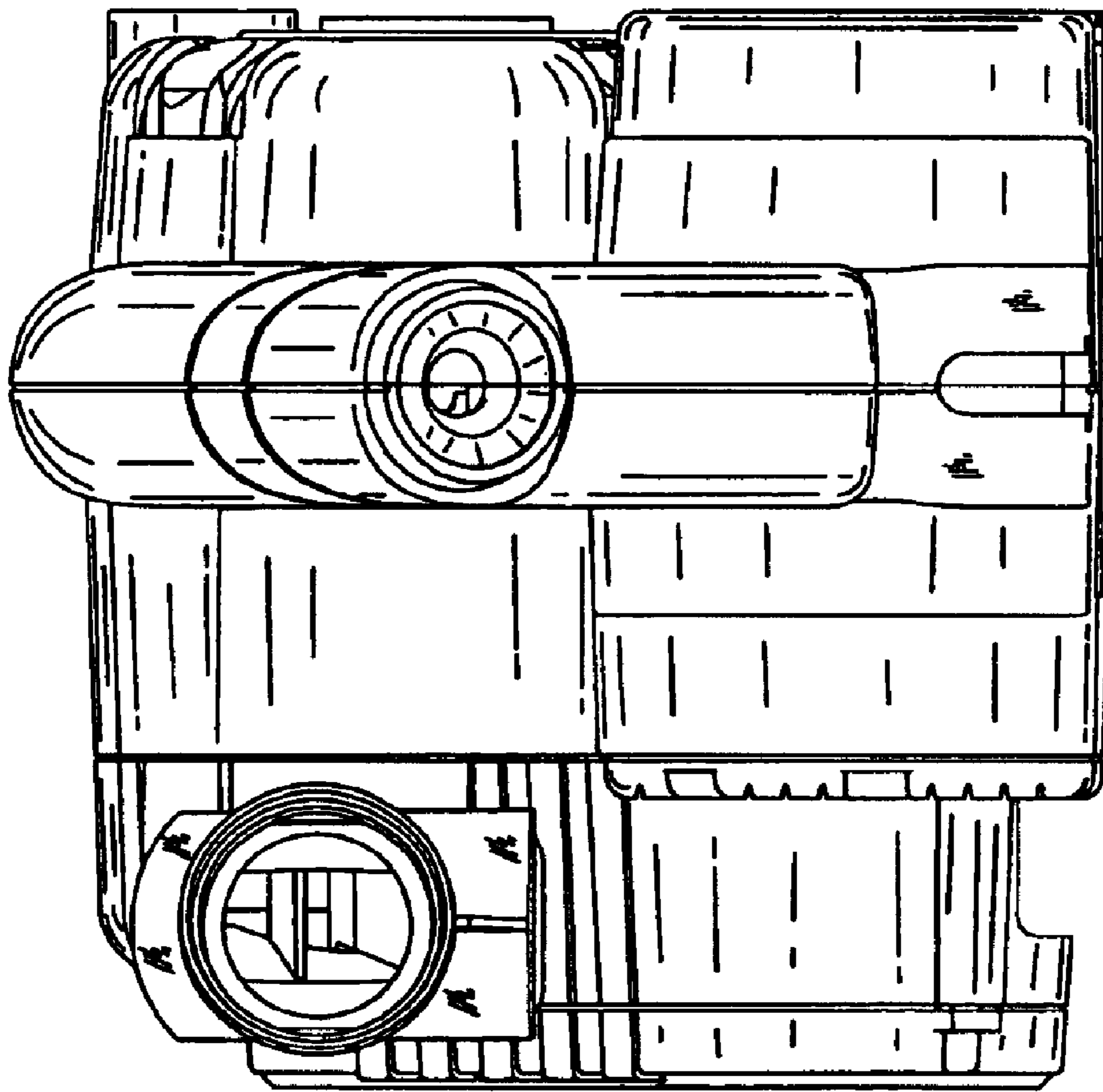


FIG.7