



US00D520316S

(12) **United States Design Patent**
Churoux

(10) **Patent No.:** **US D520,316 S**

(45) **Date of Patent:** **** May 9, 2006**

(54) **SOCKET PLIERS**

(75) Inventor: **Patrice Churoux**, Venteuil (FR)

(73) Assignee: **VIRAX, Societe Anonyme**, Epernay (FR)

(**) Term: **14 Years**

(21) Appl. No.: **29/229,669**

(22) Filed: **May 11, 2005**

(51) **LOC (8) Cl.** **08-05**

(52) **U.S. Cl.** **D8/52; D8/29**

(58) **Field of Classification Search** D8/51-55,
D8/29, 25, 105; 81/60-63, 63.1-63.2, 58.3,
81/177.1, 177.5-177.8, 177.85, 121.1; 279/102;
403/372; 72/114, 391.8; 29/243, 521, 243.528,
29/243.521

See application file for complete search history.

(56) **References Cited**

U.S. PATENT DOCUMENTS

1,523,022 A * 1/1925 Larson 81/124.6
D143,769 S * 2/1946 Stiefvater D8/55
D196,140 S * 8/1963 Pickford D8/51

5,303,748 A * 4/1994 Haldemann 140/123
5,361,474 A * 11/1994 Yang 29/243.528
D407,615 S * 4/1999 Cerulo et al. D8/51
6,115,900 A * 9/2000 Cerulo et al. 29/243.521
D465,711 S * 11/2002 Moore et al. D8/55
D479,681 S * 9/2003 Quick et al. D8/105
6,651,301 B1 * 11/2003 Liu 29/243.521

* cited by examiner

Primary Examiner—Pamela Burgess

(74) *Attorney, Agent, or Firm*—Egbert Law Offices

(57) **CLAIM**

I claim the ornamental design for socket pliers, as shown and described.

DESCRIPTION

FIG. 1 is a top perspective view of socket pliers showing my new design;

FIG. 2 is a side view thereof;

FIG. 3 is an opposite side view thereof;

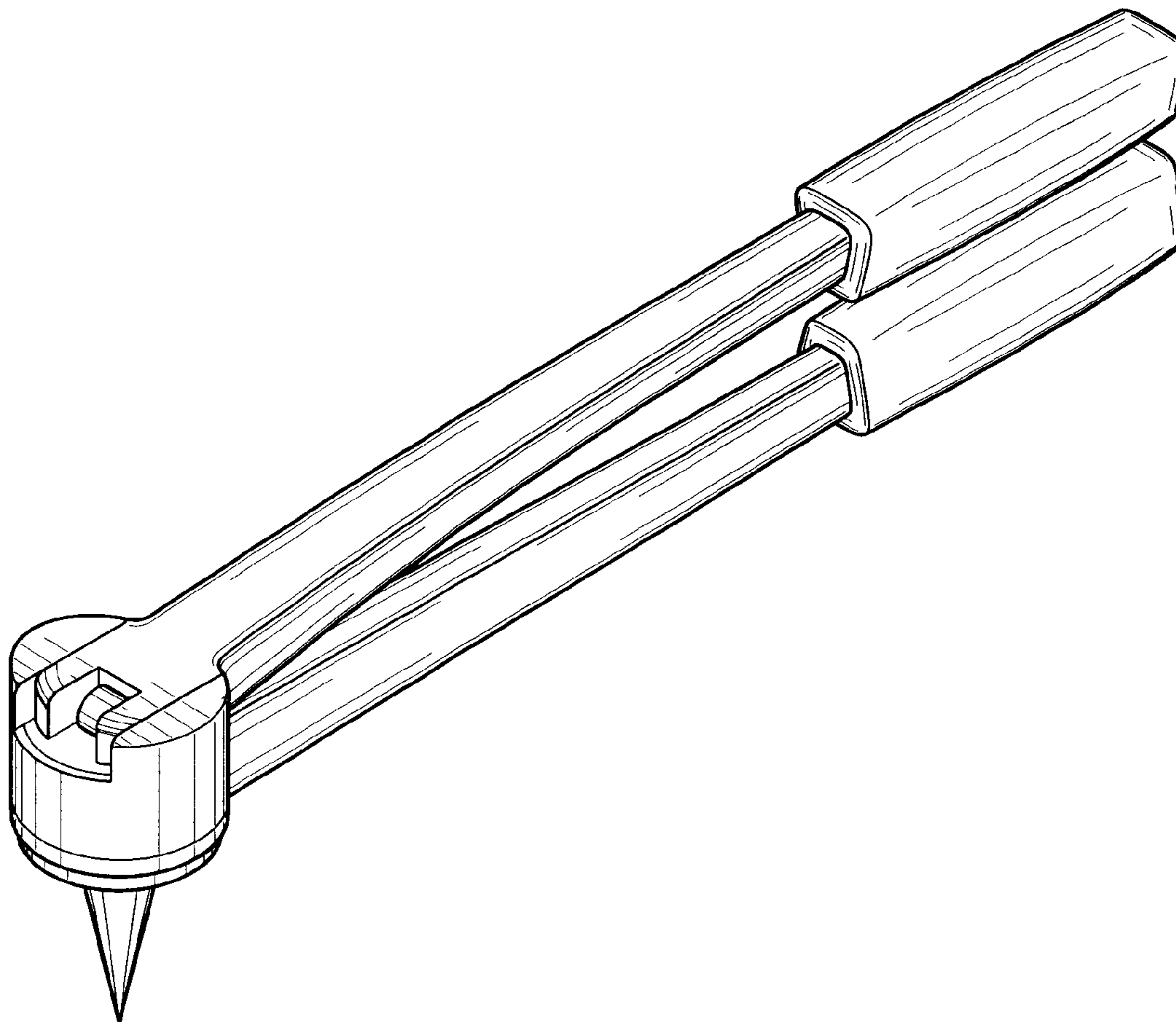
FIG. 4 is a front view thereof;

FIG. 5 is a back view thereof;

FIG. 6 is top plan view thereof; and,

FIG. 7 is a bottom plan view thereof.

1 Claim, 3 Drawing Sheets



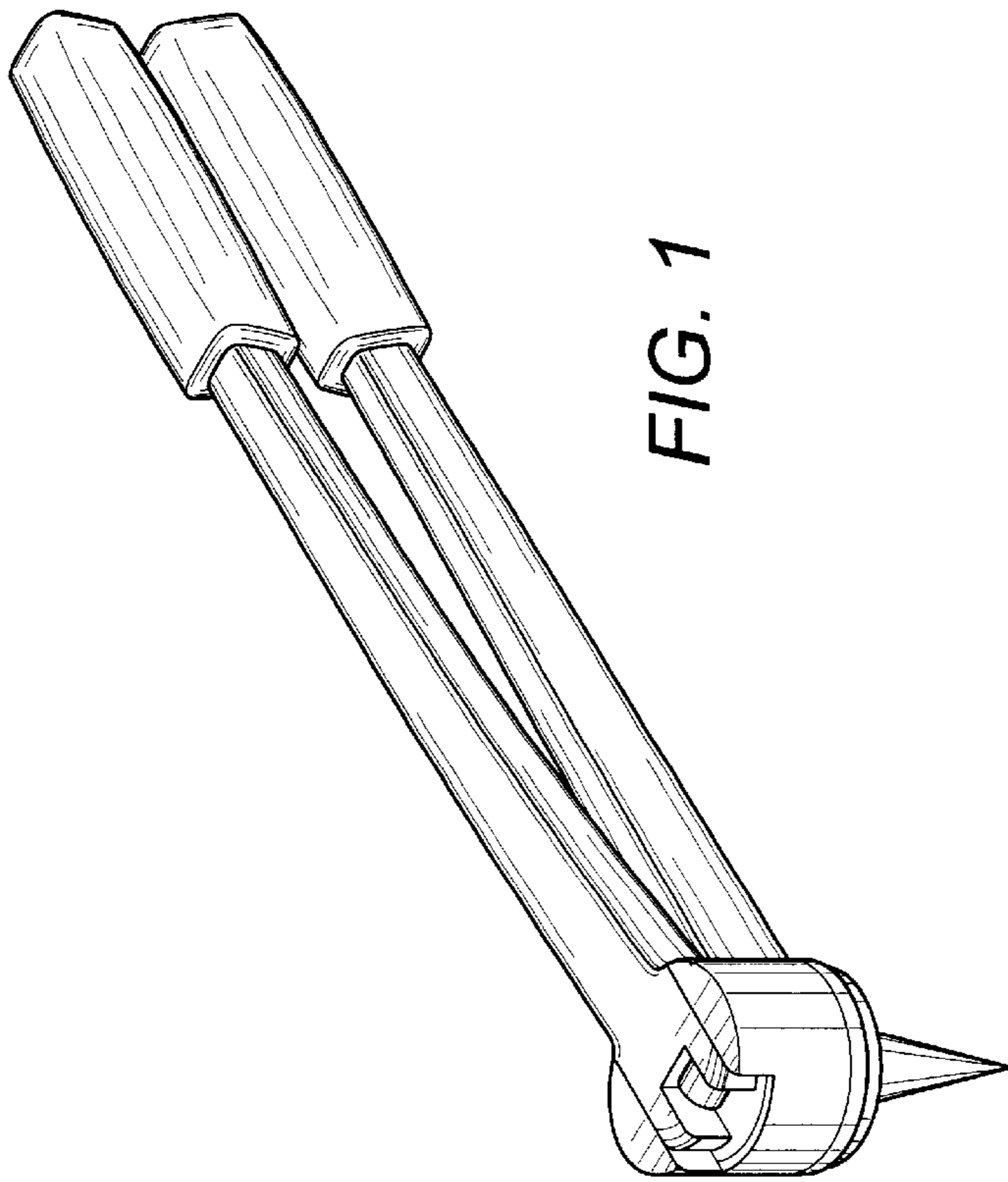


FIG. 1

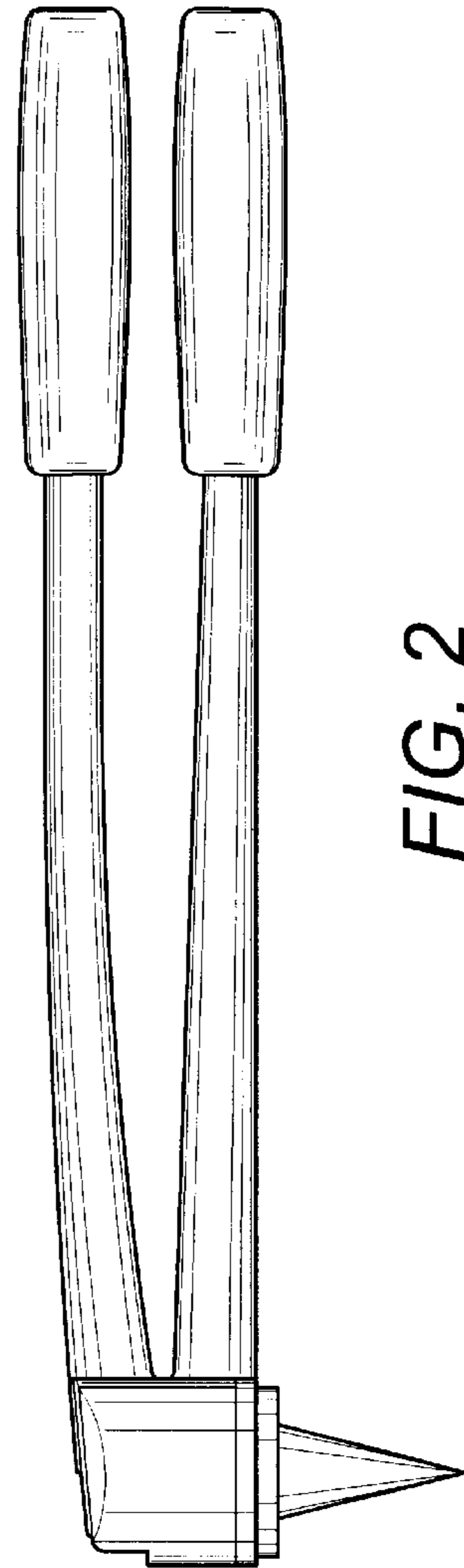


FIG. 2

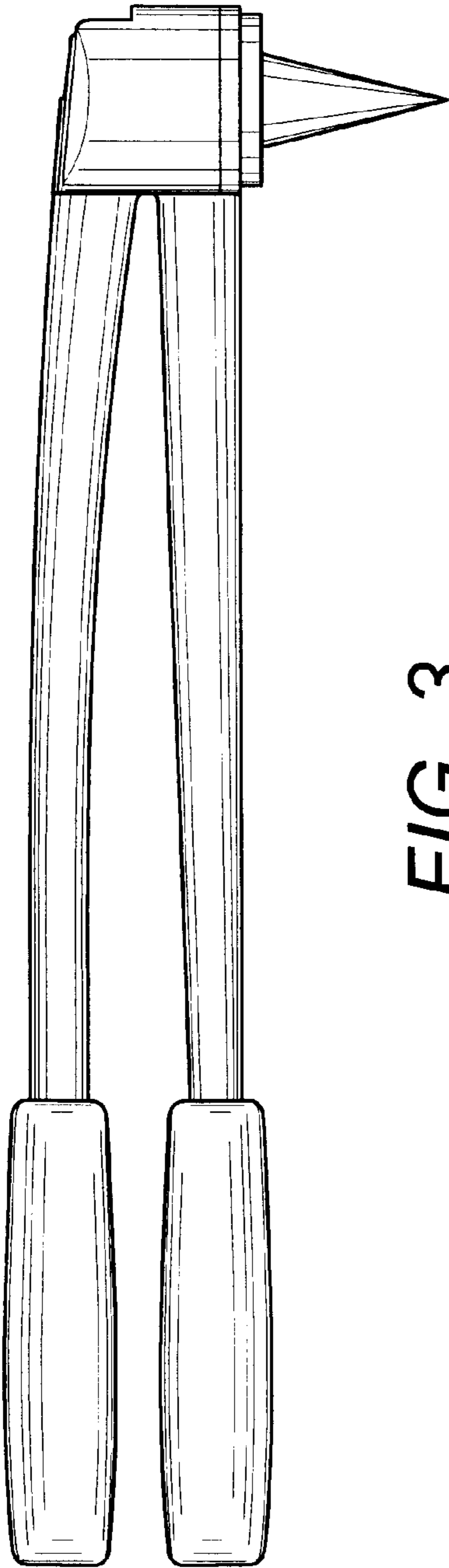


FIG. 3

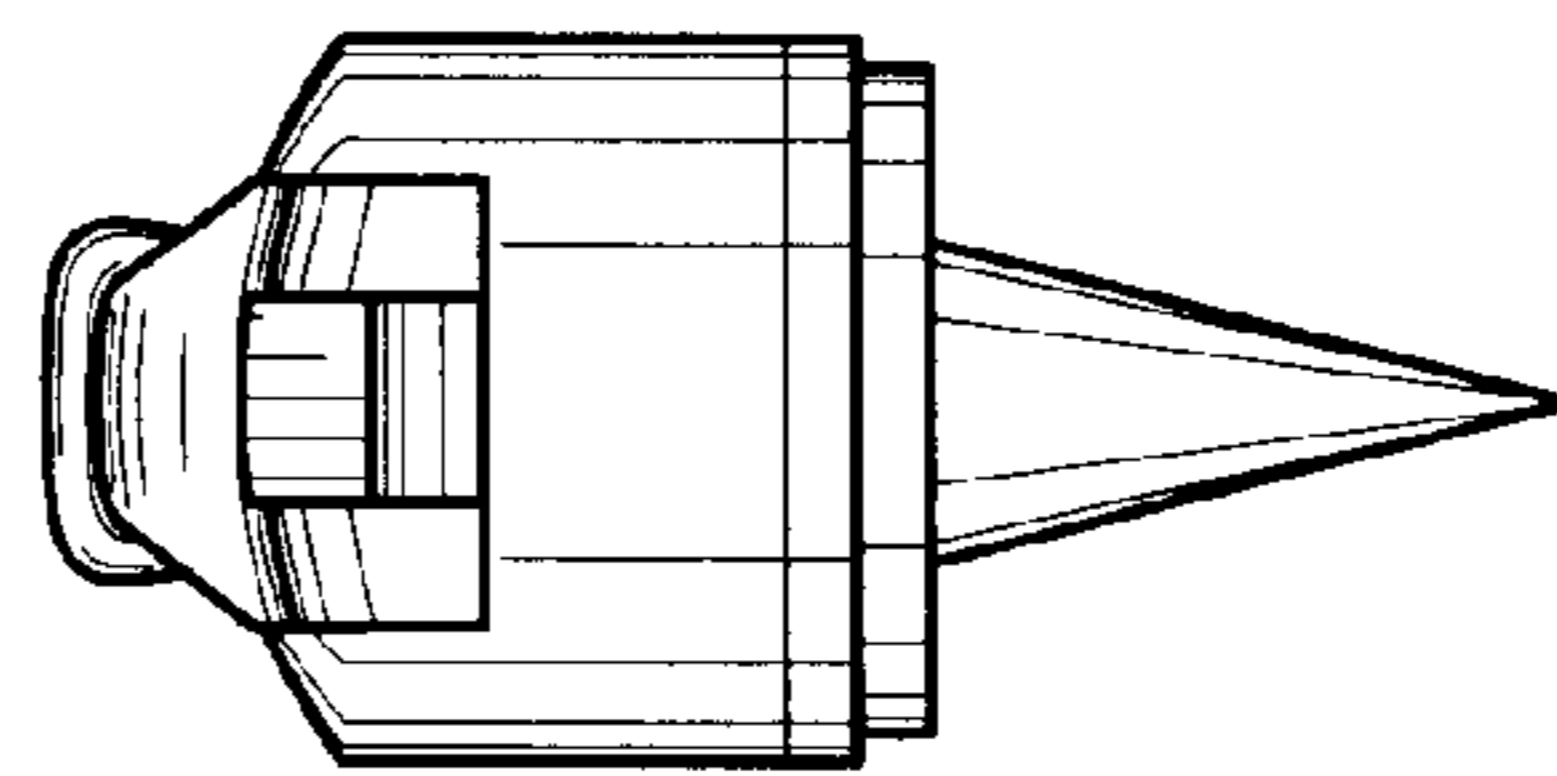


FIG. 4

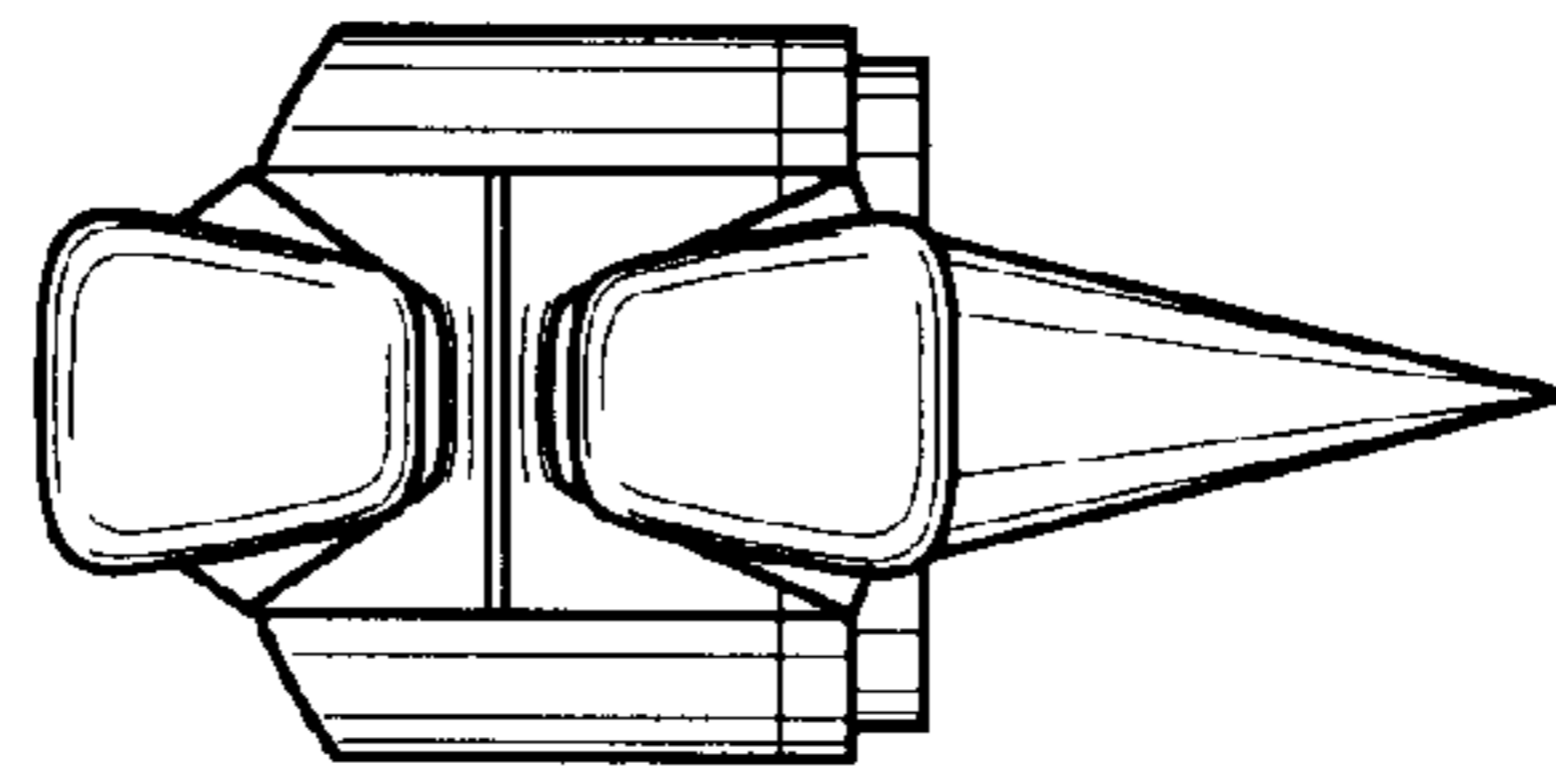


FIG. 5

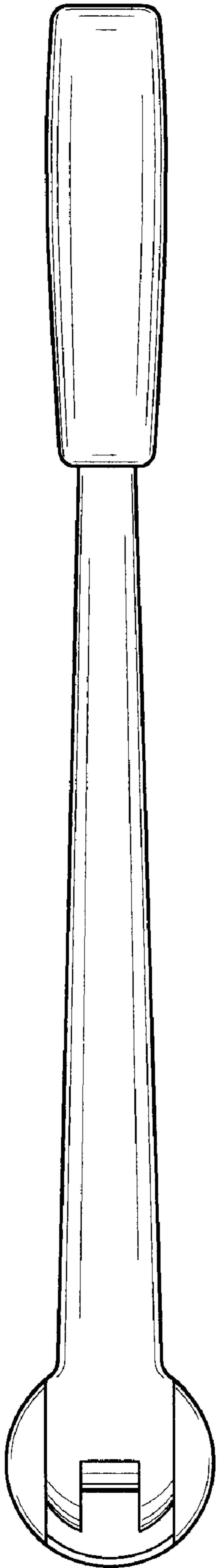


FIG. 6

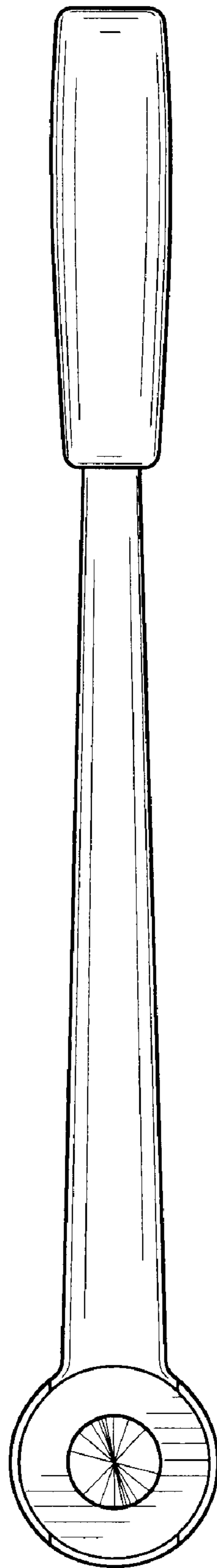


FIG. 7