



US00D520312S

(12) **United States Design Patent**  
**Roma et al.**

(10) **Patent No.:** **US D520,312 S**

(45) **Date of Patent:** **\*\* May 9, 2006**

(54) **COMBINATION BAR-B-QUE GRILL  
CLEANER AND BOTTLE OPENER**

D278,405 S \* 4/1985 Birchenall ..... D8/34  
D287,093 S \* 12/1986 Ryan ..... D8/34  
D341,455 S \* 11/1993 Roma et al. .... D32/49  
D391,134 S \* 2/1998 Laib ..... D8/40

(76) Inventors: **Sam Roma**, 1289 Briarwood La.,  
Easton, PA (US) 18040; **Nicole Roma**,  
1289 Briarwood La., Easton, PA (US)  
18040

\* cited by examiner

(\*\*) Term: **14 Years**

*Primary Examiner*—Alan P. Douglas  
*Assistant Examiner*—Lavone D. Tabor  
(74) *Attorney, Agent, or Firm*—John Lezday

(21) Appl. No.: **29/214,128**

(57) **CLAIM**

(22) Filed: **Sep. 28, 2004**

The ornamental design for a combination Bar-B-Que grill  
cleaner and bottle opener, as shown.

(51) **LOC (8) Cl.** ..... **07-99**

(52) **U.S. Cl.** ..... **D8/34; D32/42; D32/49**

(58) **Field of Classification Search** ..... D8/33,  
D8/34, 40, 41; D32/42, 46, 48, 49; 15/236.01,  
15/236.07, 236.08, 236.09; 30/169, 171,  
30/351; 81/3.09

**DESCRIPTION**

See application file for complete search history.

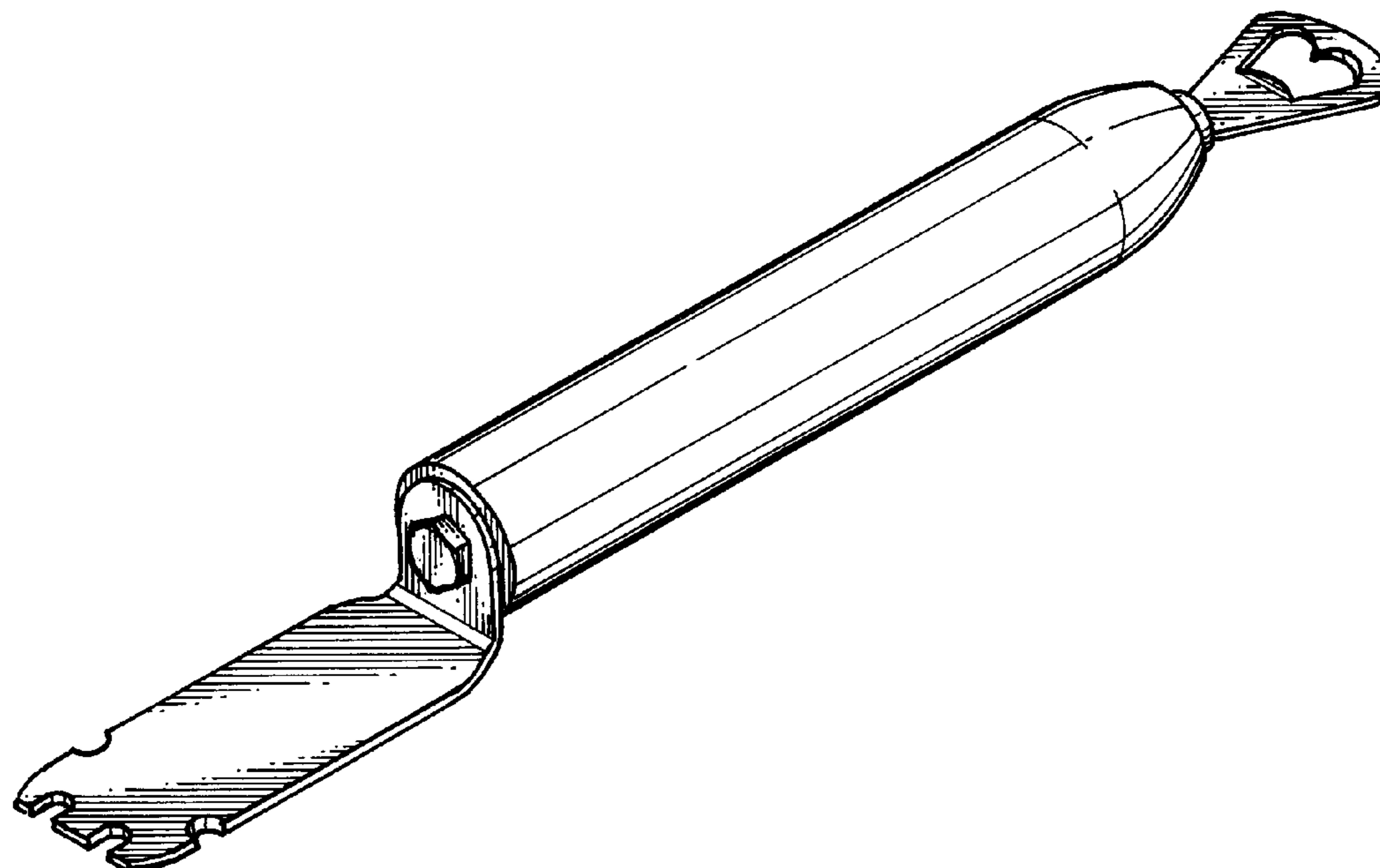
FIG. 1 is top plan view of the combination Bar-B-Que grill  
cleaner and bottle opener showing my new design;  
FIG. 2 is a bottom plan view thereof;  
FIG. 3 is a right side elevational view thereof;  
FIG. 4 is a front elevational view thereof;  
FIG. 5 is a rear elevational view thereof; and,  
FIG. 6 is a perspective view thereof.

(56) **References Cited**

**U.S. PATENT DOCUMENTS**

D254,953 S \* 5/1980 Delamater ..... D32/42 X

**1 Claim, 2 Drawing Sheets**



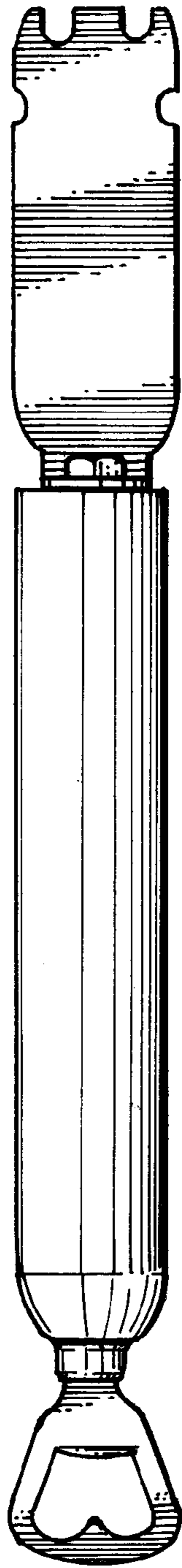


FIG. 1

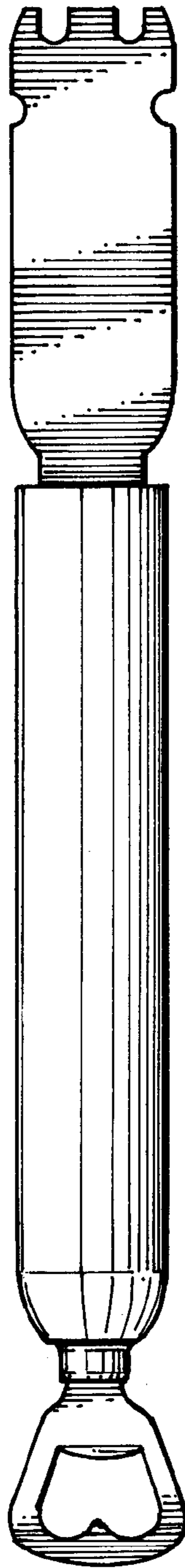


FIG. 2

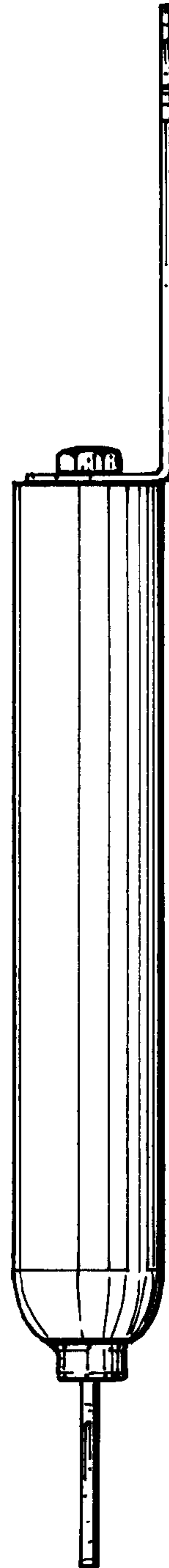
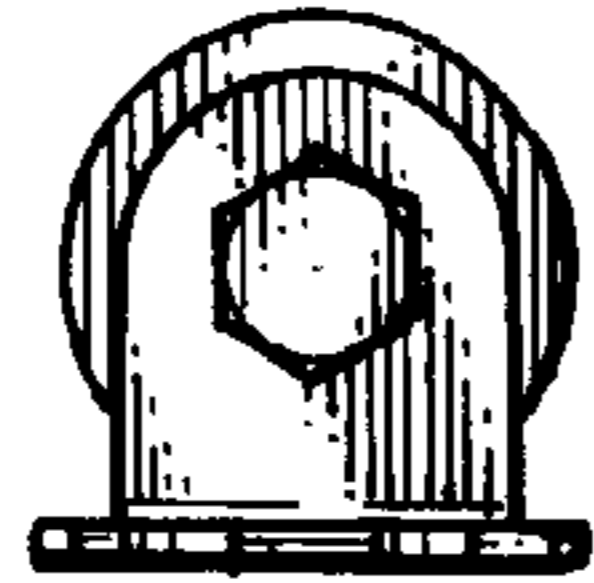
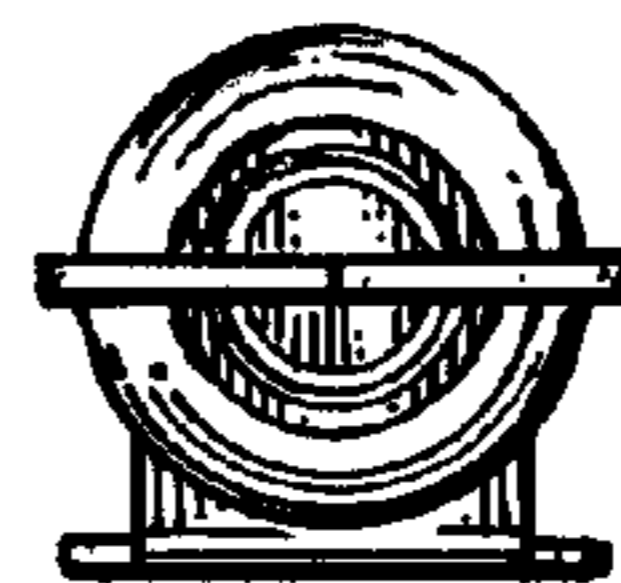


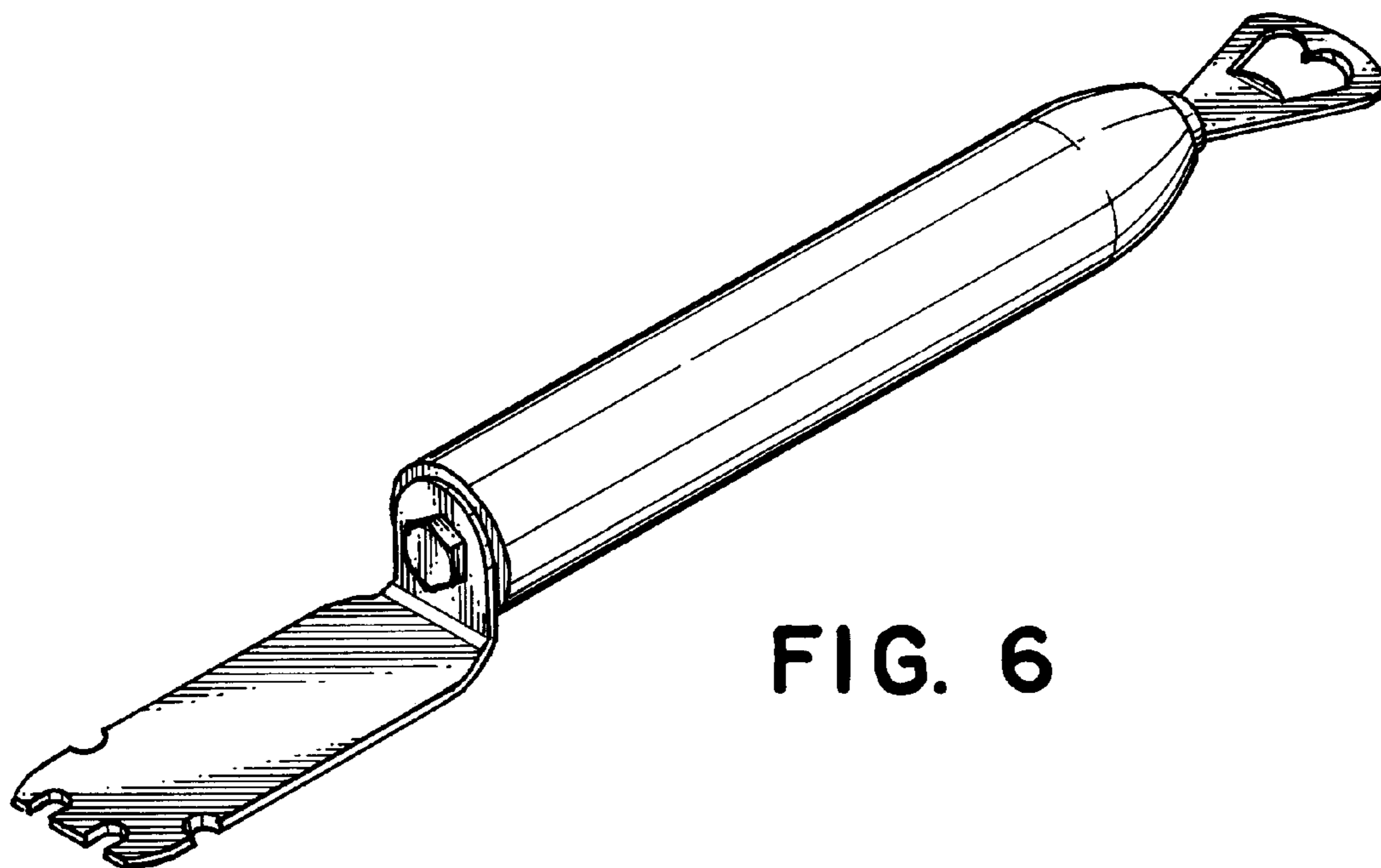
FIG. 3



**FIG. 4**



**FIG. 5**



**FIG. 6**