



US00D520309S

(12) **United States Design Patent**
Hsien

(10) **Patent No.:** **US D520,309 S**

(45) **Date of Patent:** **** May 9, 2006**

(54) **TORQUE WRENCH HANDLE**

6,722,235 B1 * 4/2004 Hsieh 81/478
D497,294 S * 10/2004 Becker et al. D8/25

(76) Inventor: **Chih-Ching Hsien**, 235 Chung-Ho Box
8-24, Taipei (TW)

* cited by examiner

(**) Term: **14 Years**

Primary Examiner—Raphael Barkai
Assistant Examiner—Randall H. Gholson

(21) Appl. No.: **29/210,588**

(57) **CLAIM**

(22) Filed: **Aug. 3, 2004**

The ornamental design for a torque wrench handle, as shown and described.

(51) **LOC (8) Cl.** **08-05**

(52) **U.S. Cl.** **D8/25**

(58) **Field of Classification Search** D8/21–29;
81/489, 490, 22, 129, 177.1, 479, 467, 471,
81/57.39

DESCRIPTION

See application file for complete search history.

FIG. 1 is a perspective view of a torque wrench handle showing my new design.

FIG. 2 is a front elevational view thereof.

FIG. 3 is a rear elevational view thereof.

FIG. 4 is a left side view thereof.

FIG. 5 is a right side view thereof.

FIG. 6 is a top plan view thereof. and

FIG. 7 is a bottom plan view thereof; and,

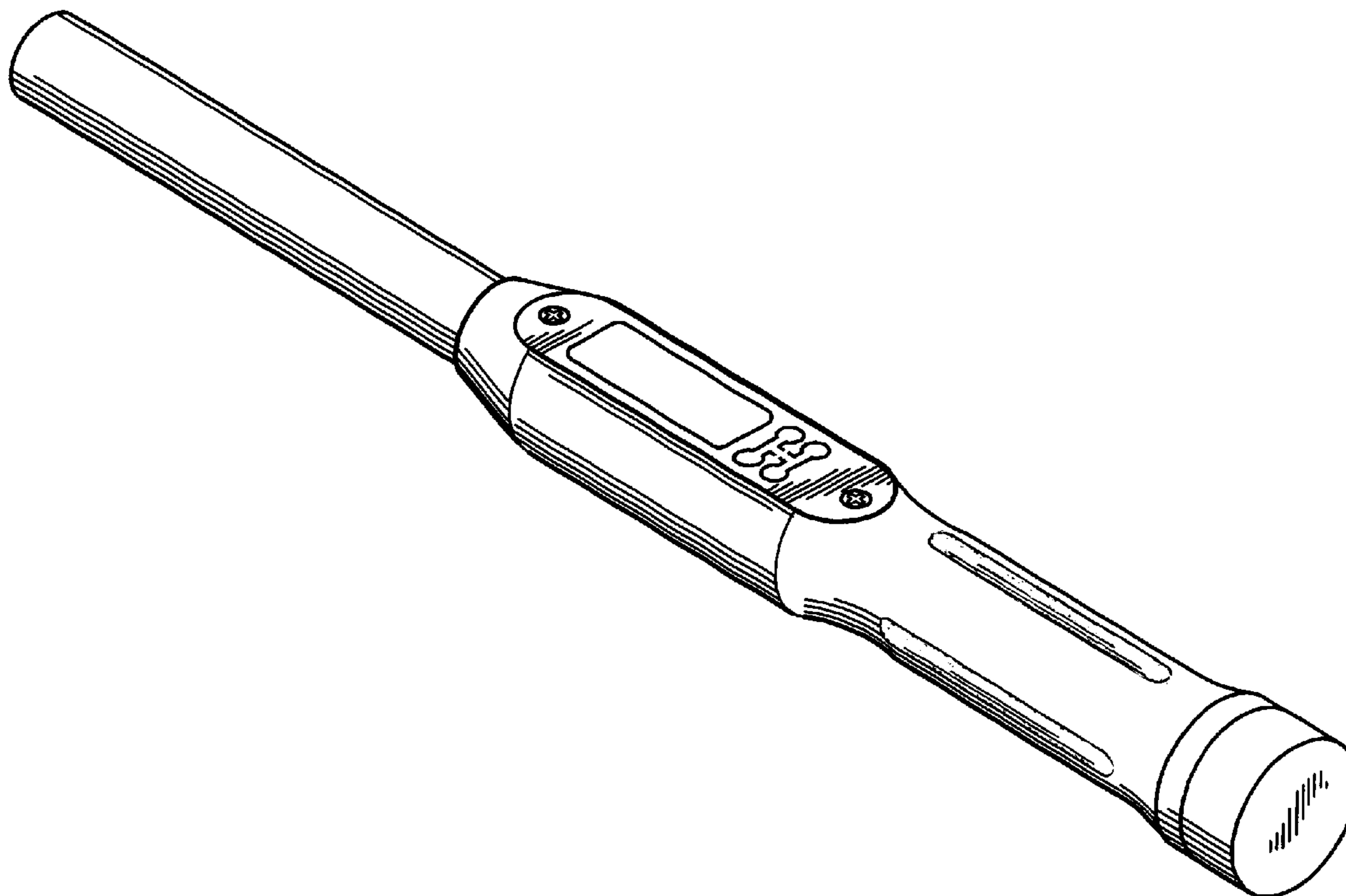
FIG. 8 is a perspective view thereof wherein the broken line showing of the adjustable wrench head is for illustrative purpose only and forms no part of the claimed design.

(56) **References Cited**

U.S. PATENT DOCUMENTS

D170,506 S	*	9/1953	Livermont	D8/24
3,272,036 A	*	9/1966	Van Hoose	81/477
D220,676 S	*	5/1971	Grabovac	D8/24
D236,079 S	*	7/1975	Grabovac	D8/24
D286,973 S	*	12/1986	Grabovac	D8/24
D295,600 S	*	5/1988	Grabovac	D8/24
6,234,051 B1	*	5/2001	Bareggi	81/479

1 Claim, 5 Drawing Sheets



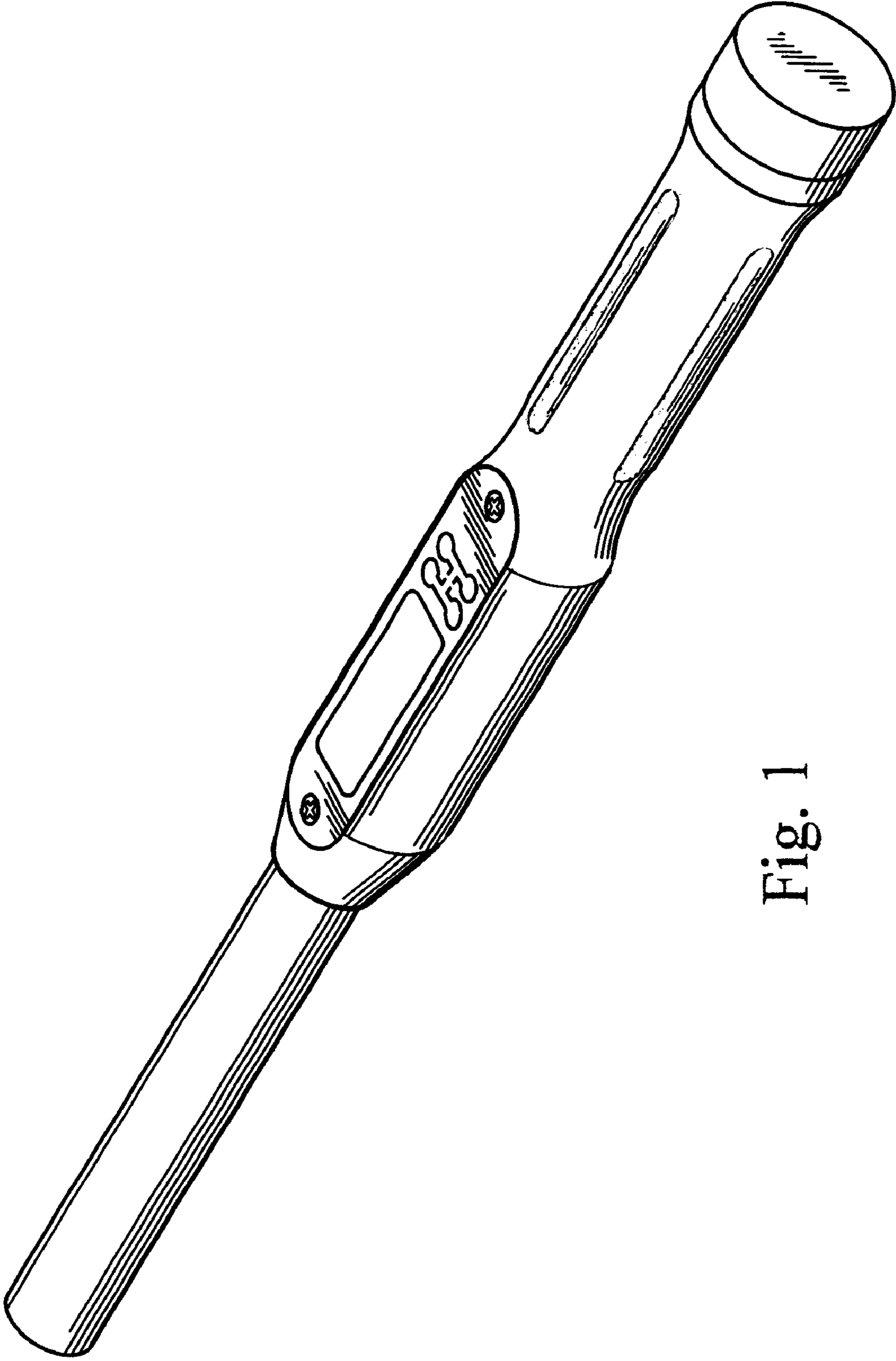


Fig. 1

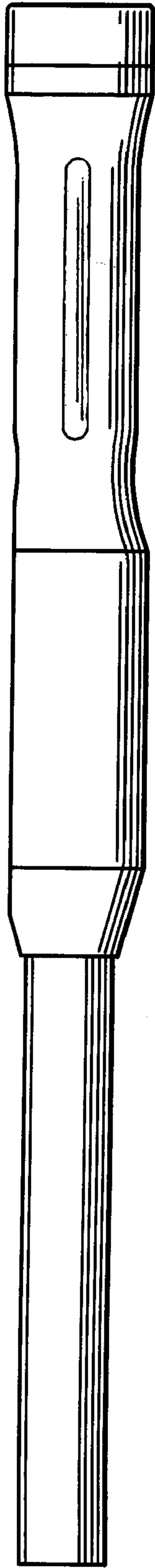


Fig. 2

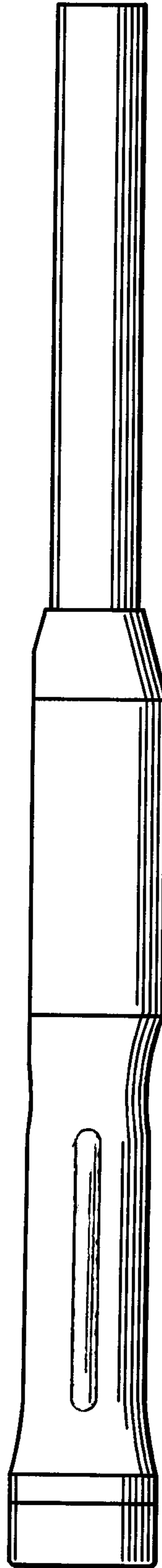


Fig. 3

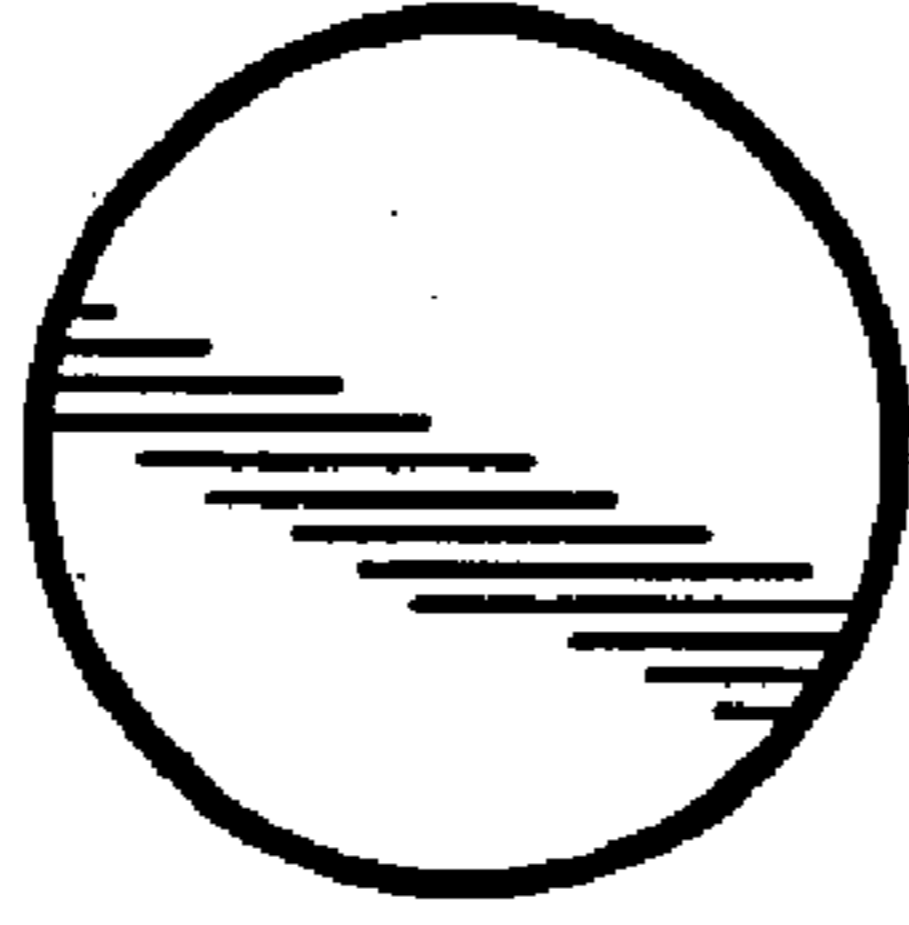


Fig. 5

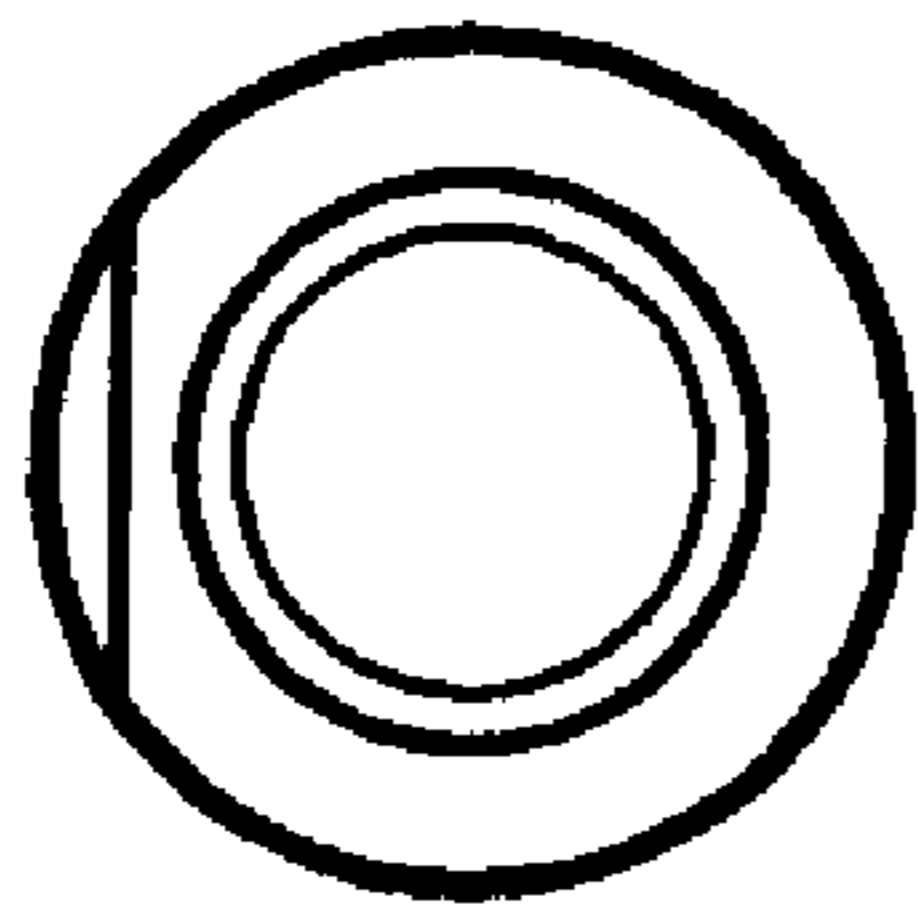


Fig. 4

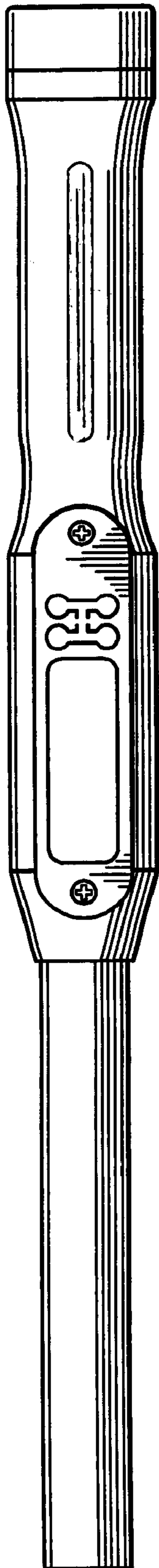


Fig. 6

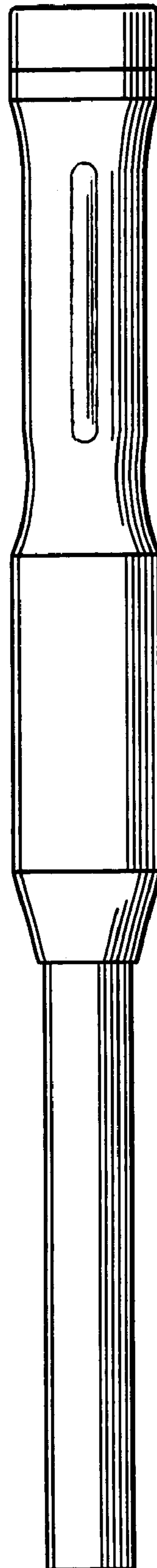


Fig. 7

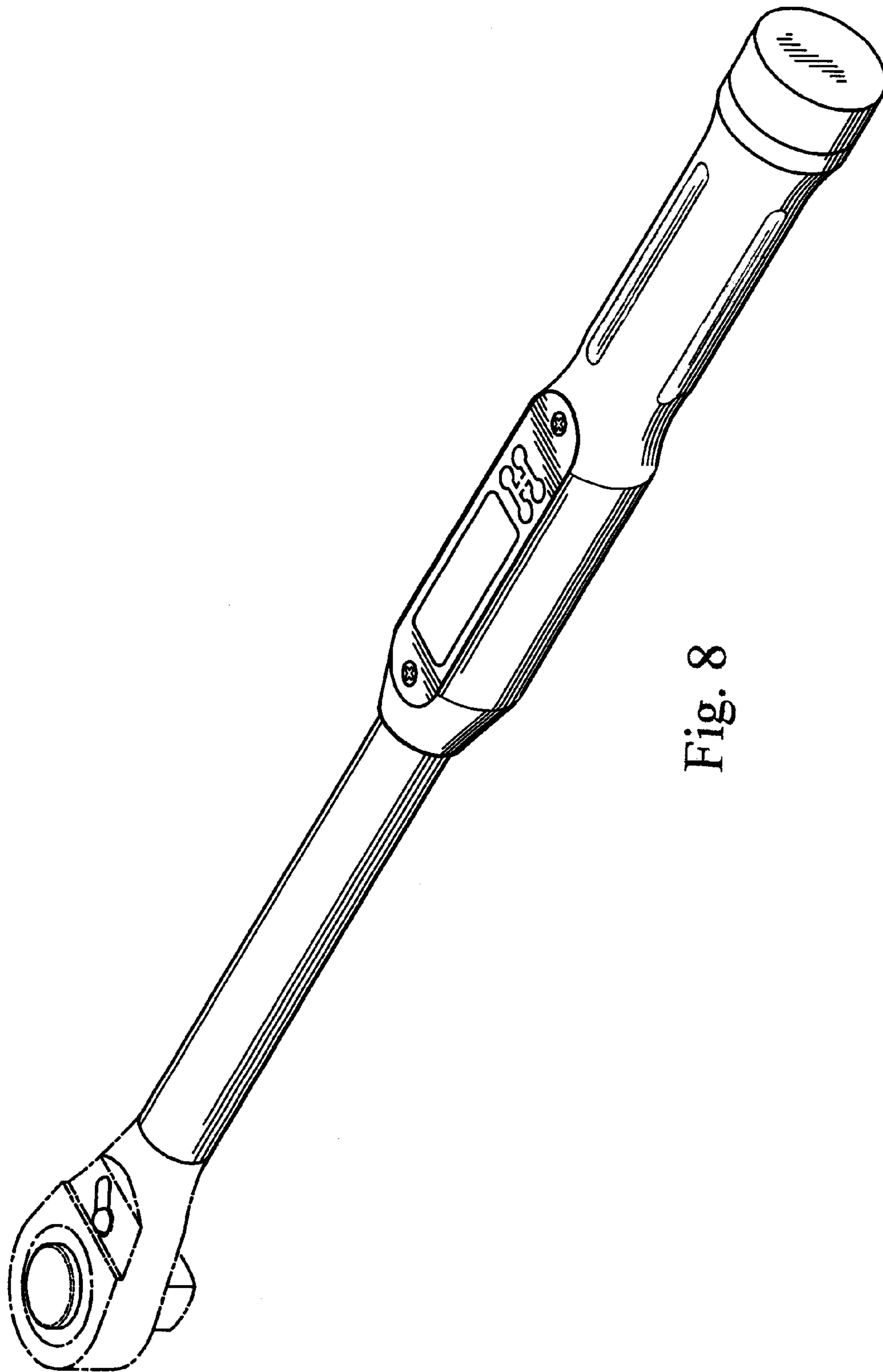


Fig. 8