

US00D520308S

(12) **United States Design Patent**  
**Burgess**

(10) **Patent No.:** **US D520,308 S**

(45) **Date of Patent:** **\*\* May 9, 2006**

(54) **JAPANESE KNOTWEED INJECTOR**

D421,204 S \* 2/2000 McBride ..... D8/2

(76) Inventor: **Philip David Burgess**, 28207 NE. 74th Ct., Battle Ground, WA (US) 98604

\* cited by examiner

(\*\*) Term: **14 Years**

*Primary Examiner*—Holly H. Baynham  
(74) *Attorney, Agent, or Firm*—Rylander & Associates;  
Kurt M. Rylander

(21) Appl. No.: **29/232,525**

(57) **CLAIM**

(22) Filed: **Jun. 20, 2005**

The ornamental design for a japanese knotweed injector, as shown and described.

**Related U.S. Application Data**

**DESCRIPTION**

(63) Continuation of application No. 10/464,200, filed on Jun. 18, 2003.

(51) **LOC (8) Cl.** ..... **08-01**

(52) **U.S. Cl.** ..... **D8/2**

(58) **Field of Classification Search** ..... D8/2;  
111/7.1; 222/461, 536, 529

See application file for complete search history.

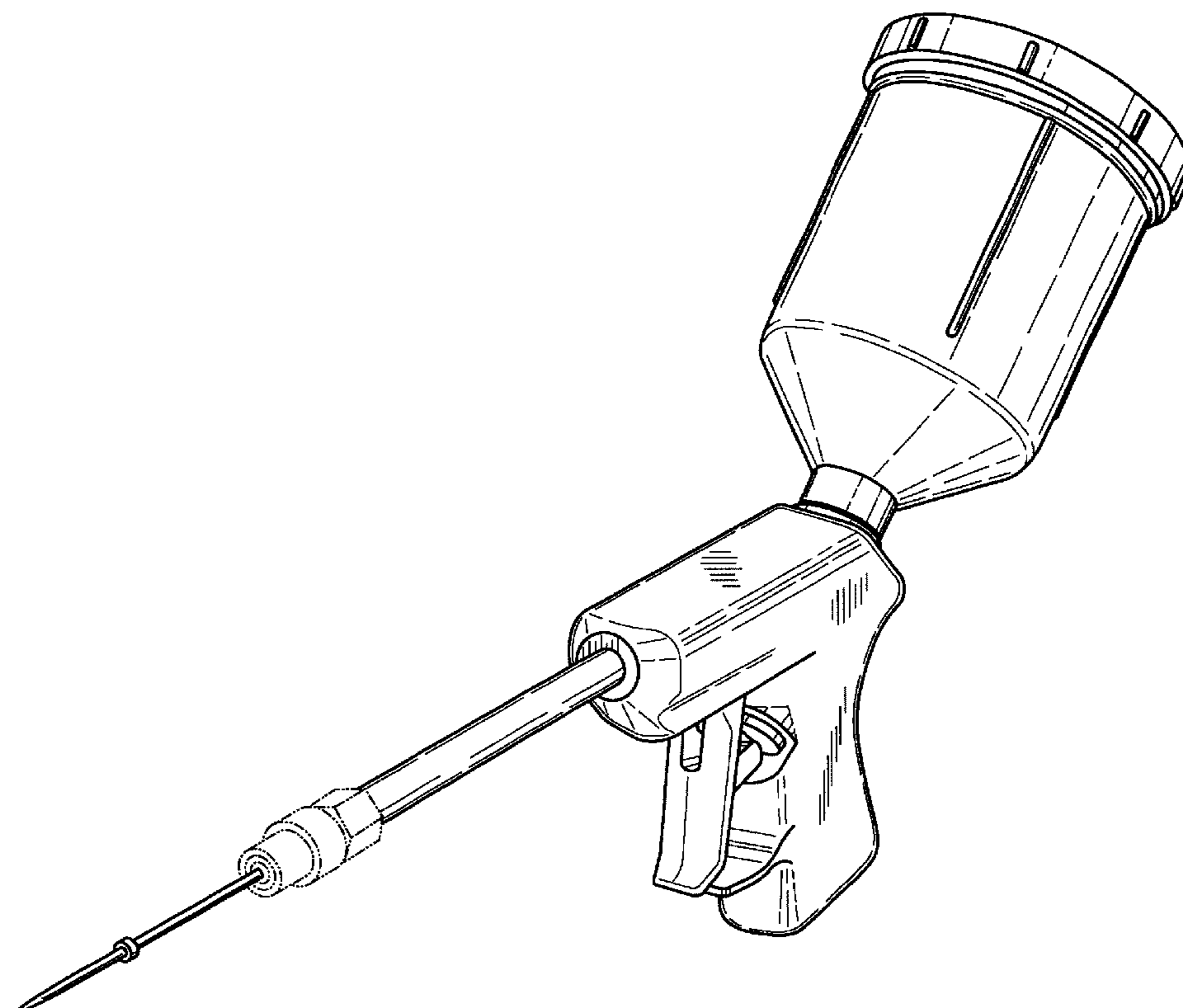
FIG. 1 shows a perspective embodiment of my design.  
FIG. 2 shows a side layout view of the embodiment of my design.  
FIG. 3 is a top plan view of the embodiment of my design;  
FIG. 4 is a bottom plan view of the embodiment of my design;  
FIG. 5 shows a front view of the embodiment of my design;  
and,  
FIG. 6 shows a rear view of the embodiment of my design.  
The broken line showing is for illustrative purposes only and forms no part of the claimed design.

(56) **References Cited**

**U.S. PATENT DOCUMENTS**

- D236,939 S \* 9/1975 Pial ..... D8/2
- D273,266 S \* 4/1984 Souza ..... D8/2
- D366,192 S \* 1/1996 Dunning et al. .... D8/2

**1 Claim, 4 Drawing Sheets**



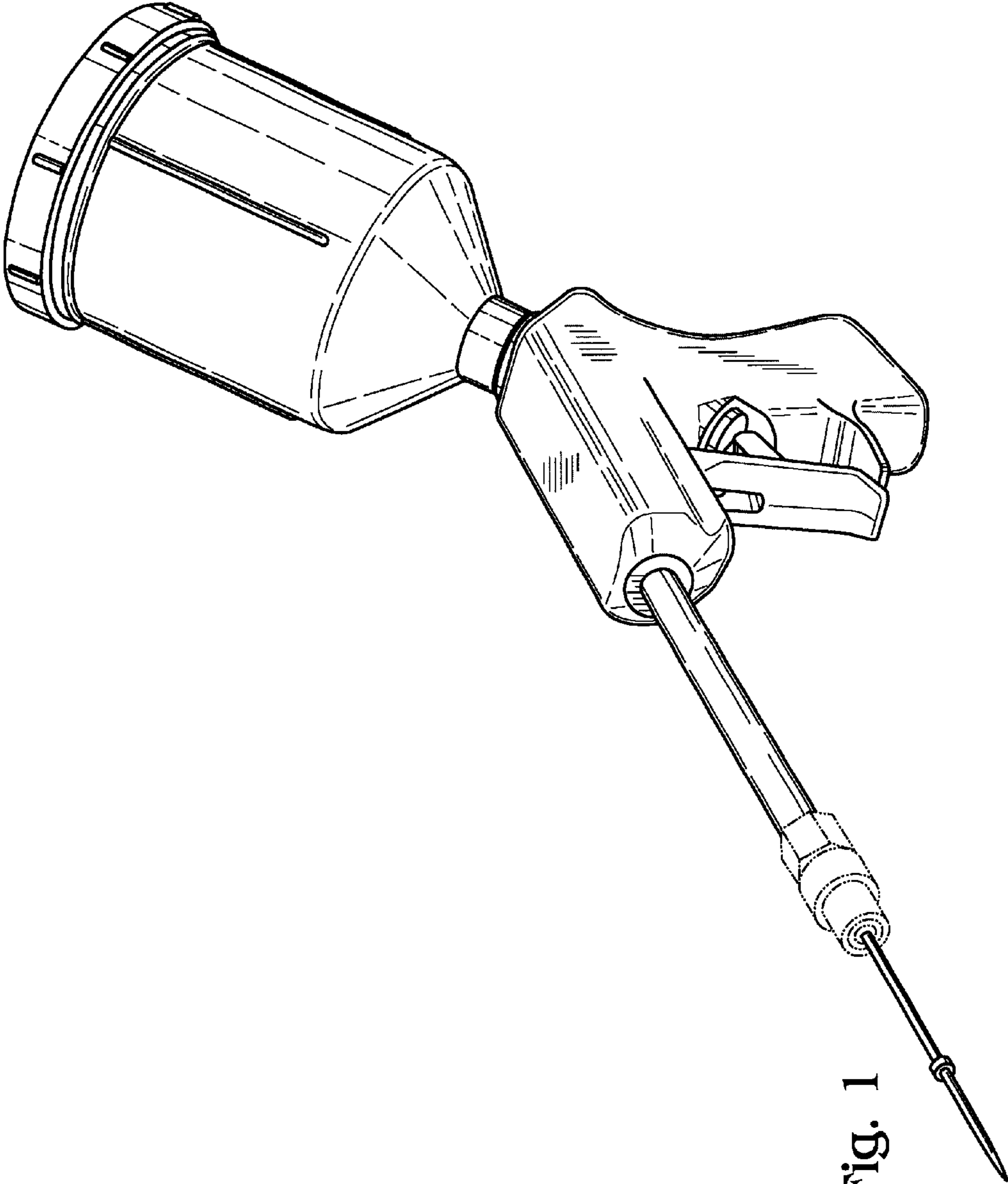


Fig. 1

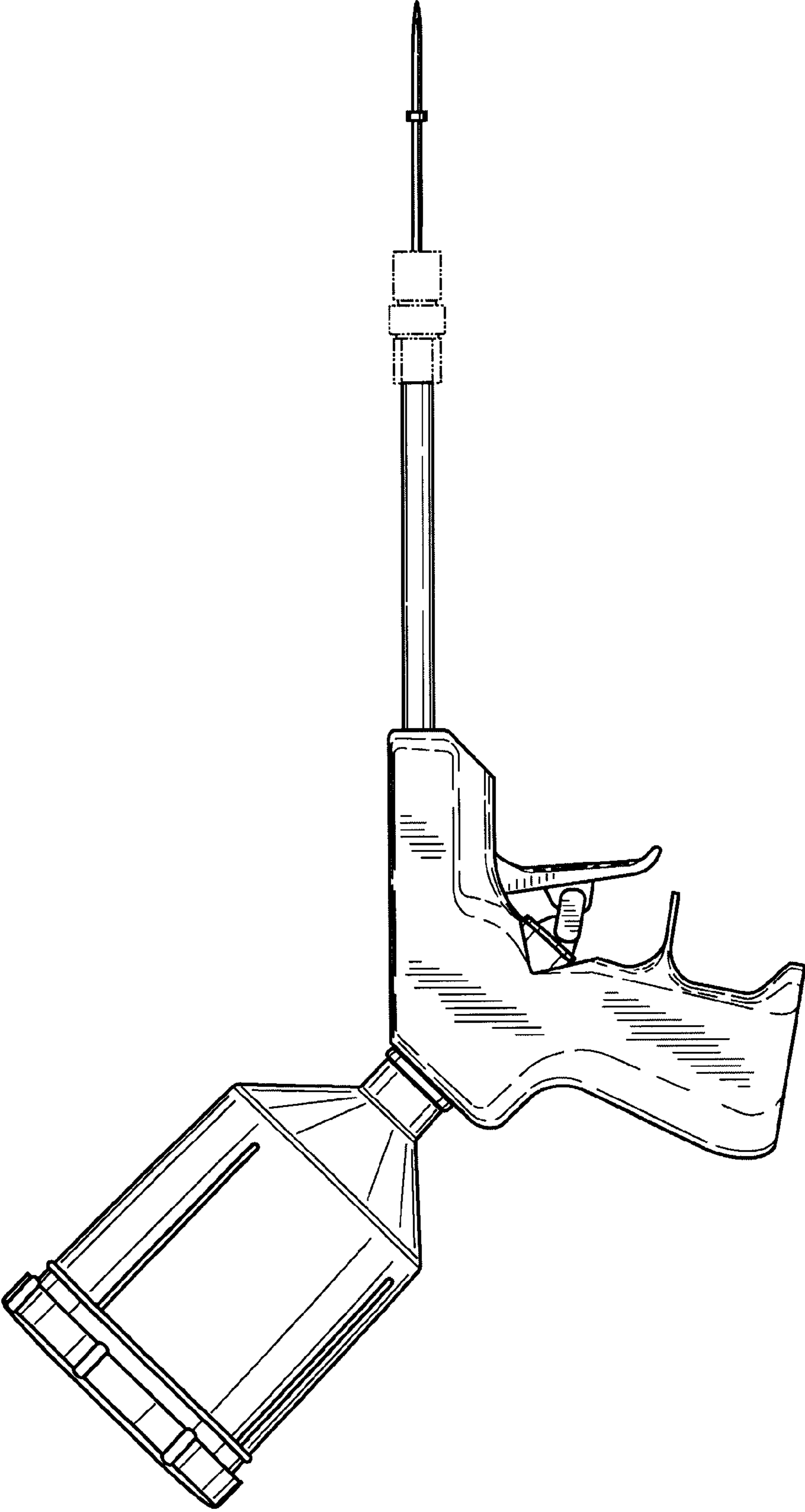


Fig. 2

Fig. 3

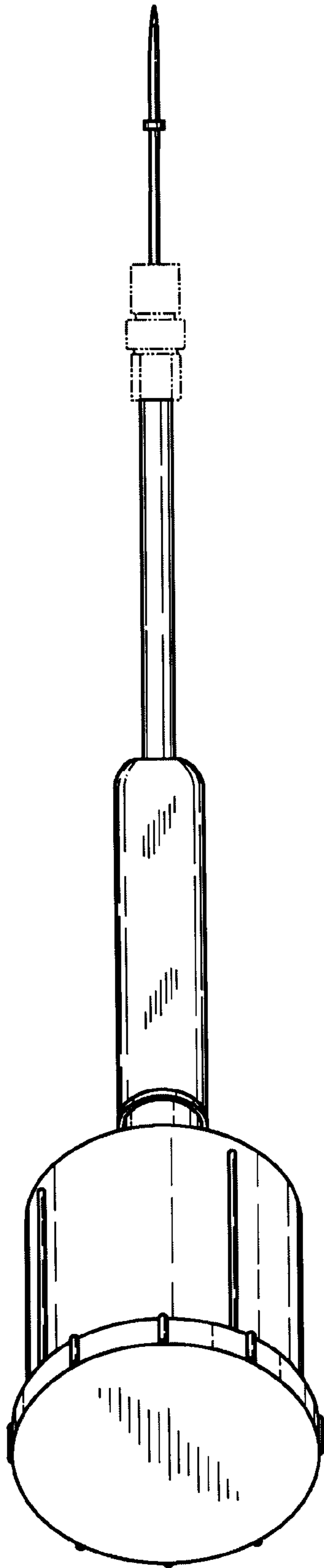


Fig. 4

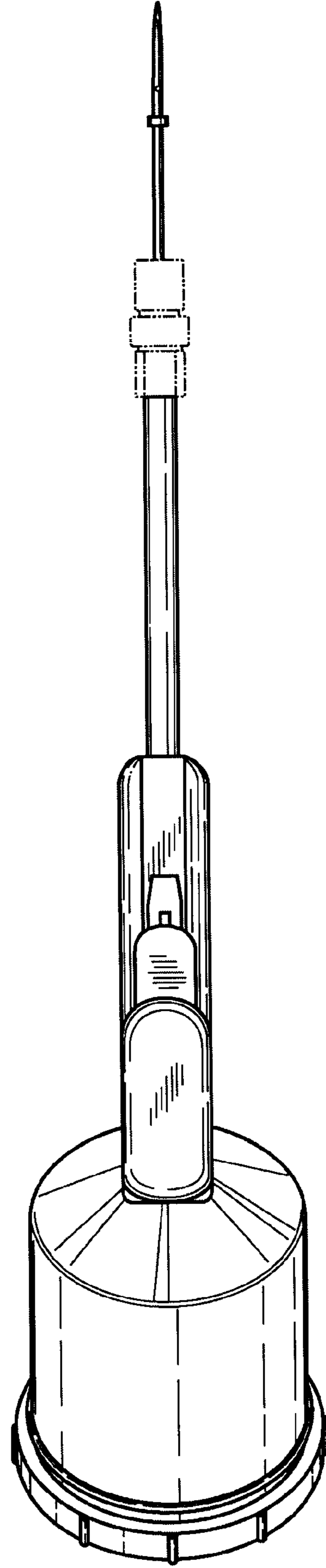


Fig. 5

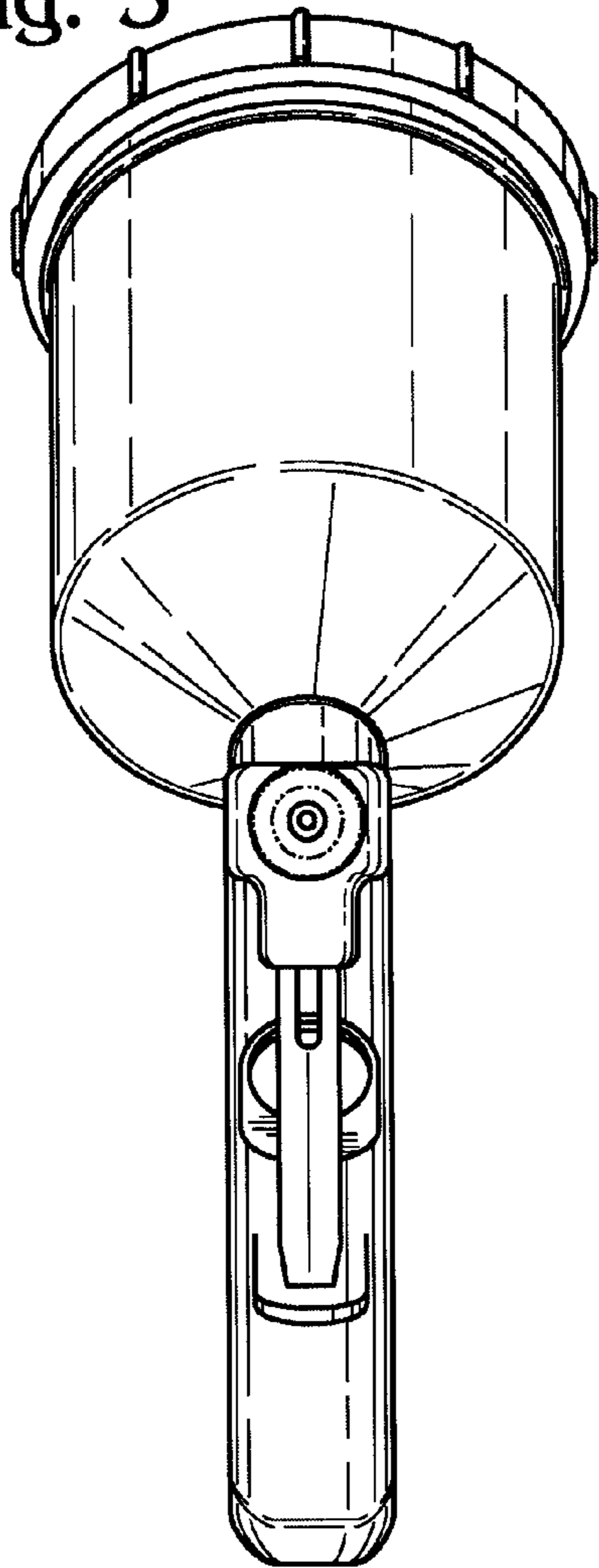


Fig. 6

