



US00D520305S

(12) **United States Design Patent**
Brodock et al.

(10) **Patent No.:** **US D520,305 S**
(45) **Date of Patent:** **** May 9, 2006**

(54) **PORTABLE COOLER WITH TRANSPARENT LID**

(76) Inventors: **Robert H. Brodock**, 6257 26 Mile Rd.,
Homer, MI (US) 49245; **Mary Lou Brodock**, 6257 26 Mile Rd., Homer, MI
(US) 49245

(**) **Term:** **14 Years**

(21) **Appl. No.:** **29/203,414**

(22) **Filed:** **Apr. 15, 2004**

(51) **LOC (8) Cl.** **07-01**

(52) **U.S. Cl.** **D7/605; D6/397**

(58) **Field of Classification Search** D7/605-608;
D6/396, 397, 429-431; 62/3.62, 371, 372,
62/457.1-457.9; 312/241, 244; 220/592.03,
220/592.2, 592.26

See application file for complete search history.

(56) **References Cited**

U.S. PATENT DOCUMENTS

2,549,917 A	4/1951	Milbrandt	
2,663,391 A	* 12/1953	Kuhns	312/244
3,491,914 A	1/1970	Elzey	
3,612,335 A	10/1971	Schurman	
4,436,353 A	* 3/1984	Tucker	312/241

4,574,594 A	3/1986	Simmons et al.	
4,577,475 A	3/1986	Herrera	
4,581,902 A	* 4/1986	Starck et al.	62/457.7
D304,650 S	* 11/1989	Price	D6/429
D368,387 S	* 4/1996	Bureau	D6/397
D406,463 S	3/1999	Rutledge	
D448,624 S	10/2001	Moffett, III et al.	
D448,625 S	* 10/2001	Moffett et al.	D7/605
6,612,127 B1	* 9/2003	Simmons	62/457.2
D482,576 S	* 11/2003	Baylis	D7/605

* cited by examiner

Primary Examiner—Terry A. Wallace

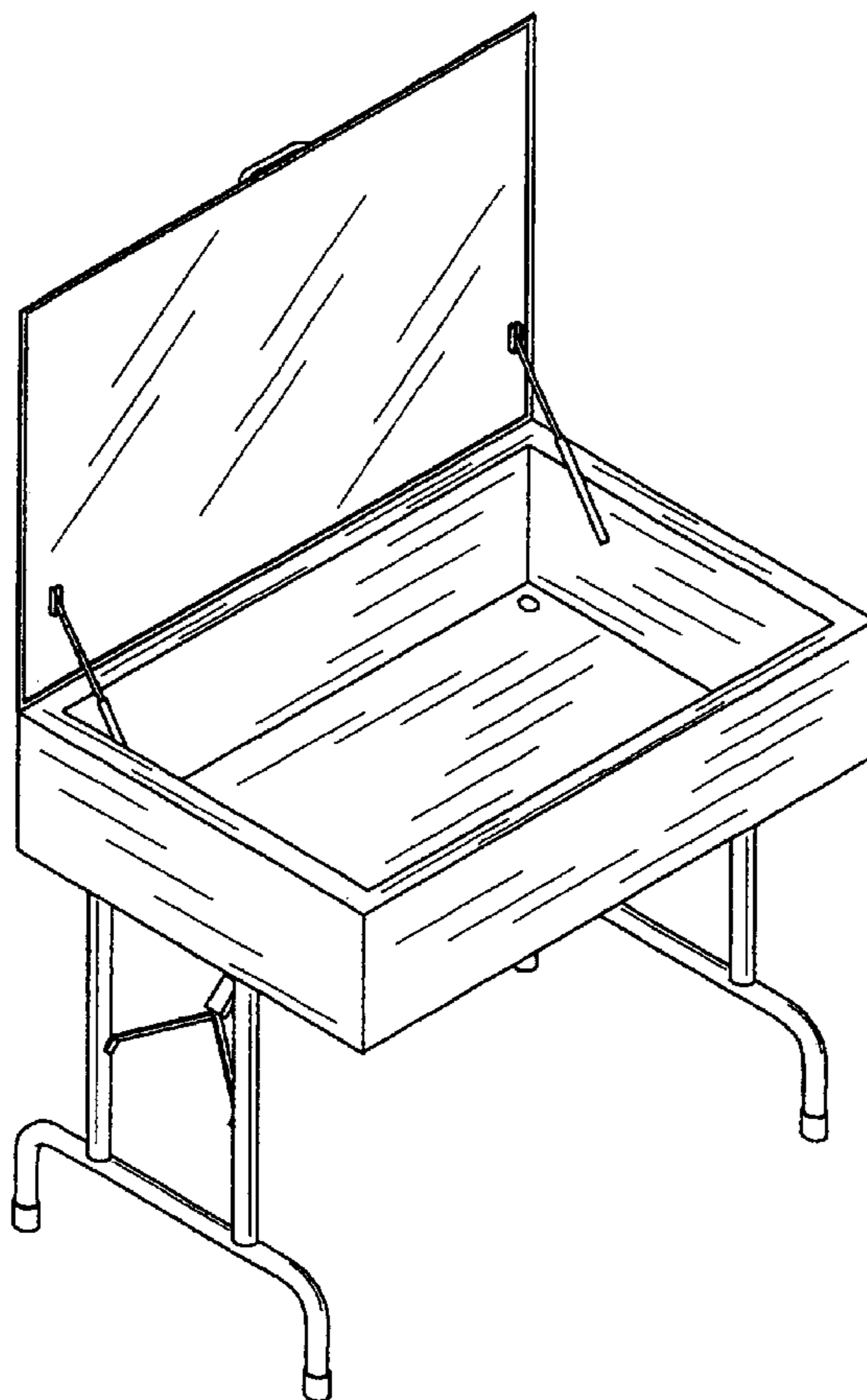
(57) **CLAIM**

The ornamental design for a portable cooler with transparent lid, as shown and described.

DESCRIPTION

FIG. 1 is a front elevational view of a portable cooler with transparent lid showing my new design;
FIG. 2 is a rear elevational view thereof;
FIG. 3 is a side elevational view thereof;
FIG. 4 is a top plan view thereof;
FIG. 5 is a bottom plan view thereof; and,
FIG. 6 is a perspective view thereof.

1 Claim, 4 Drawing Sheets



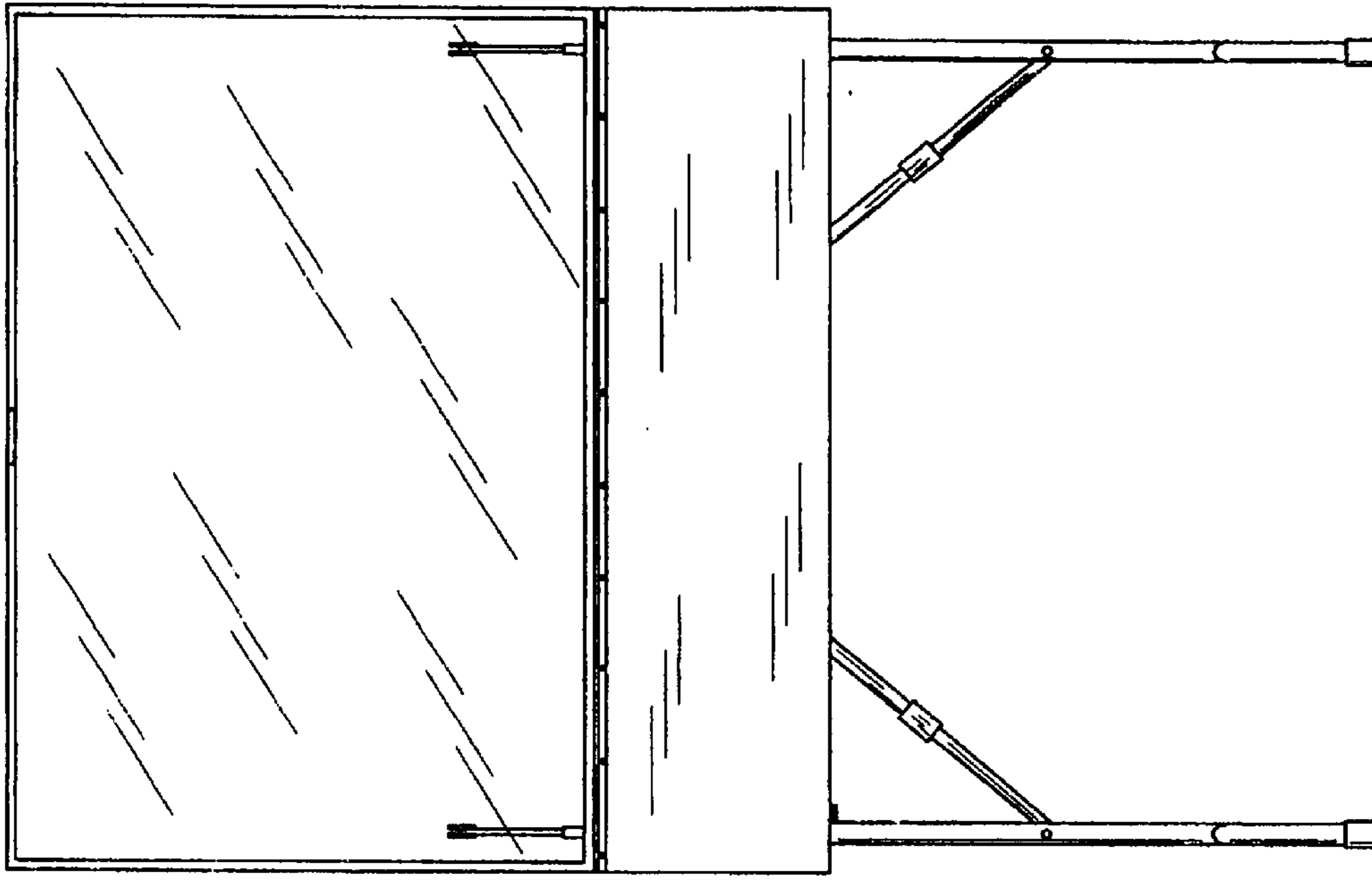


FIG. 2

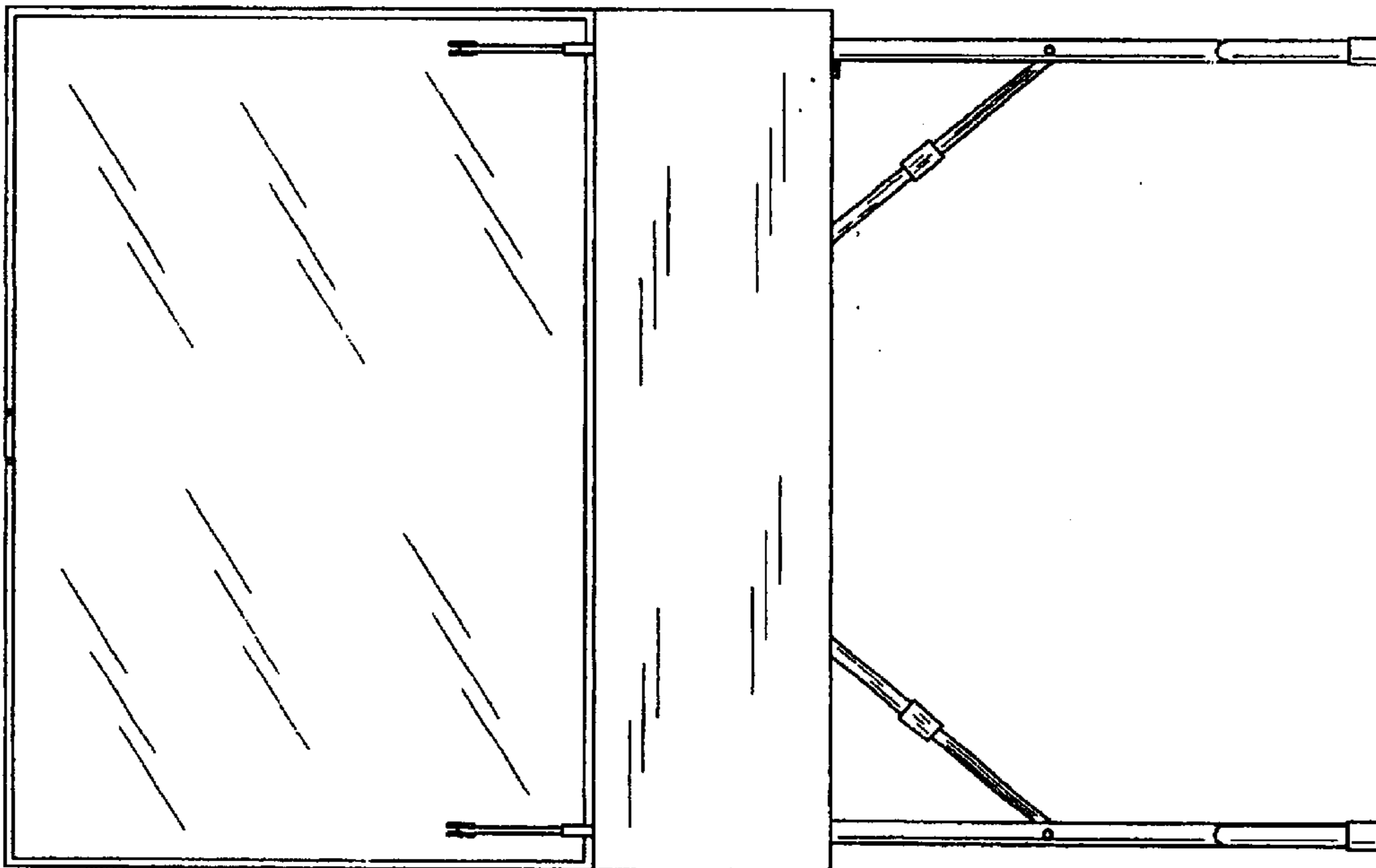


FIG. 1

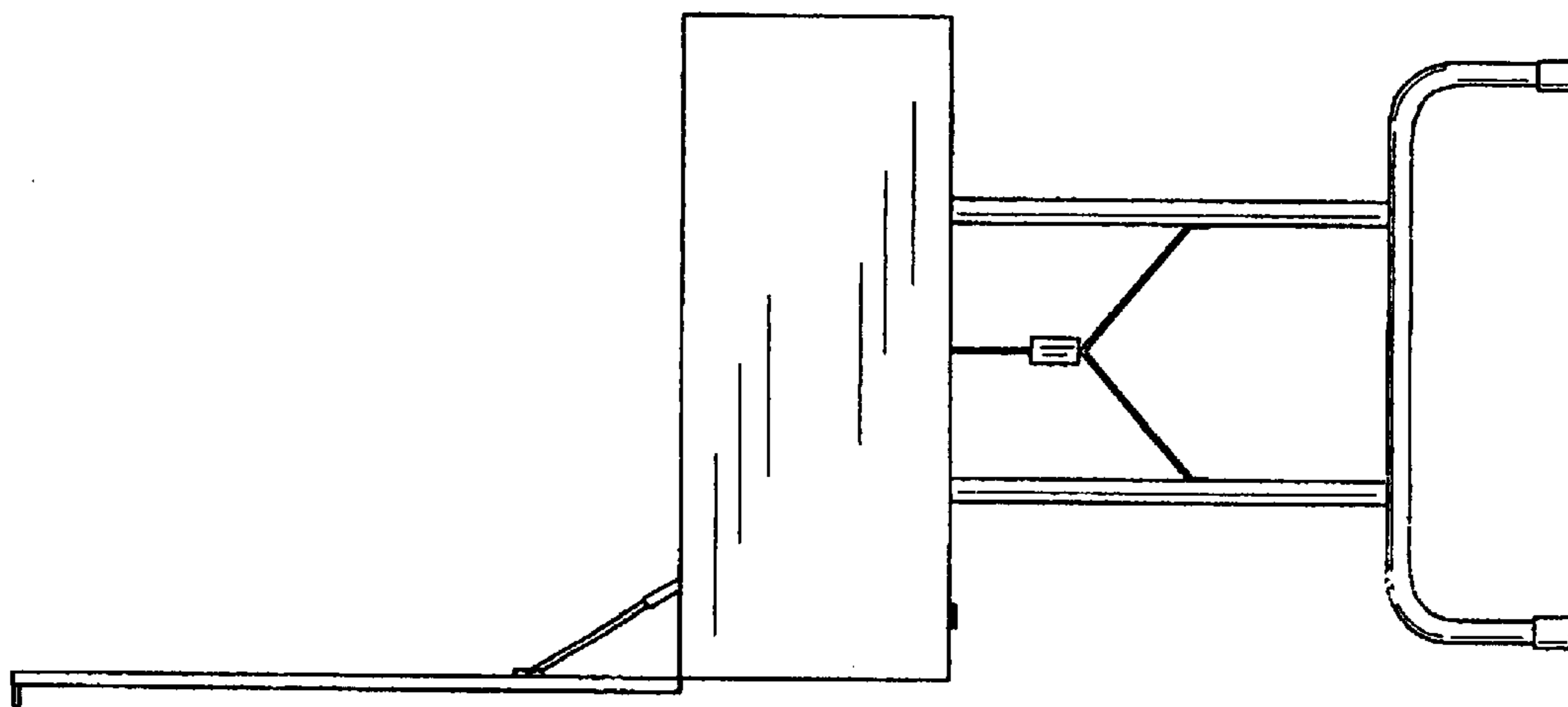


FIG. 3

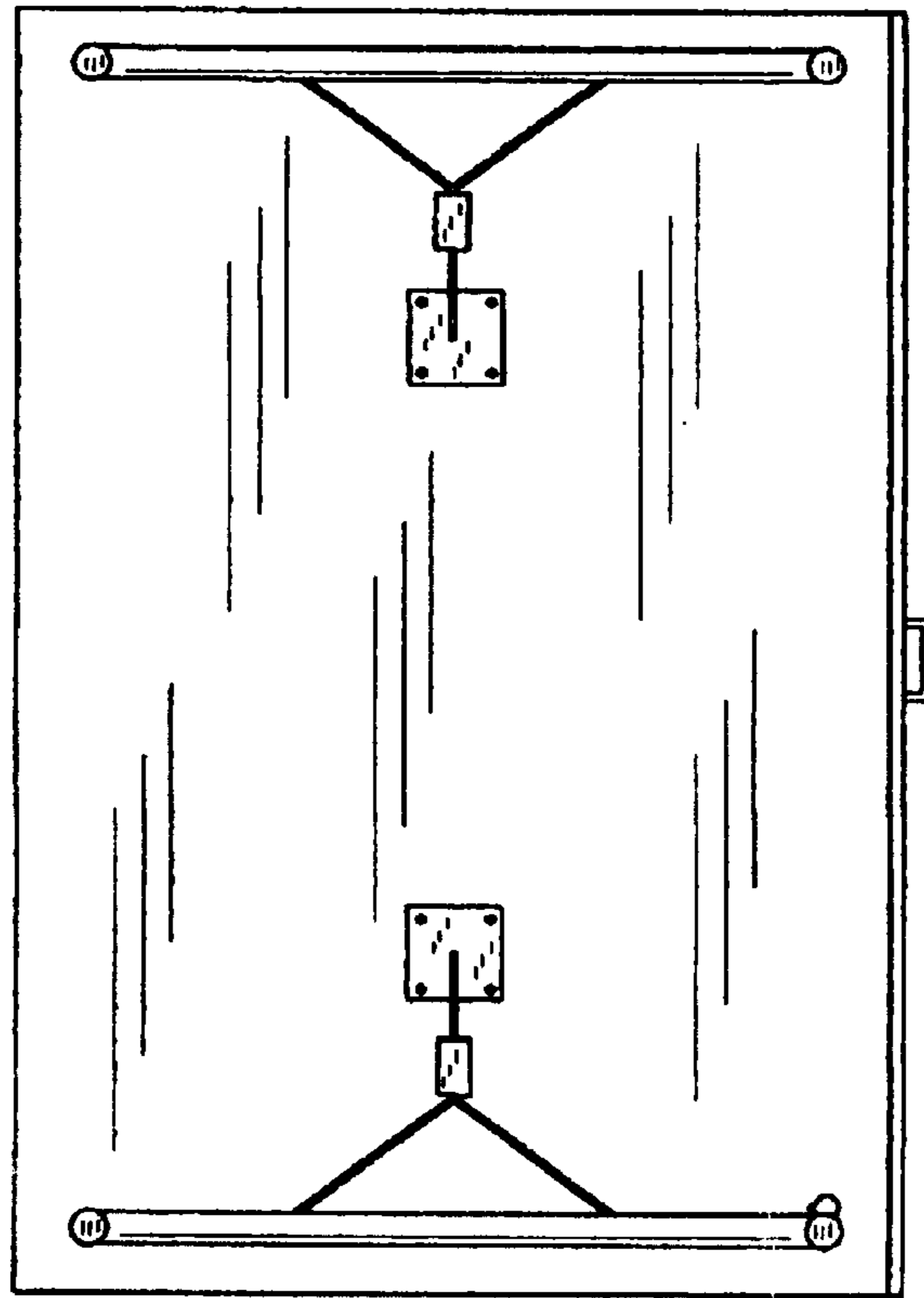


FIG. 5

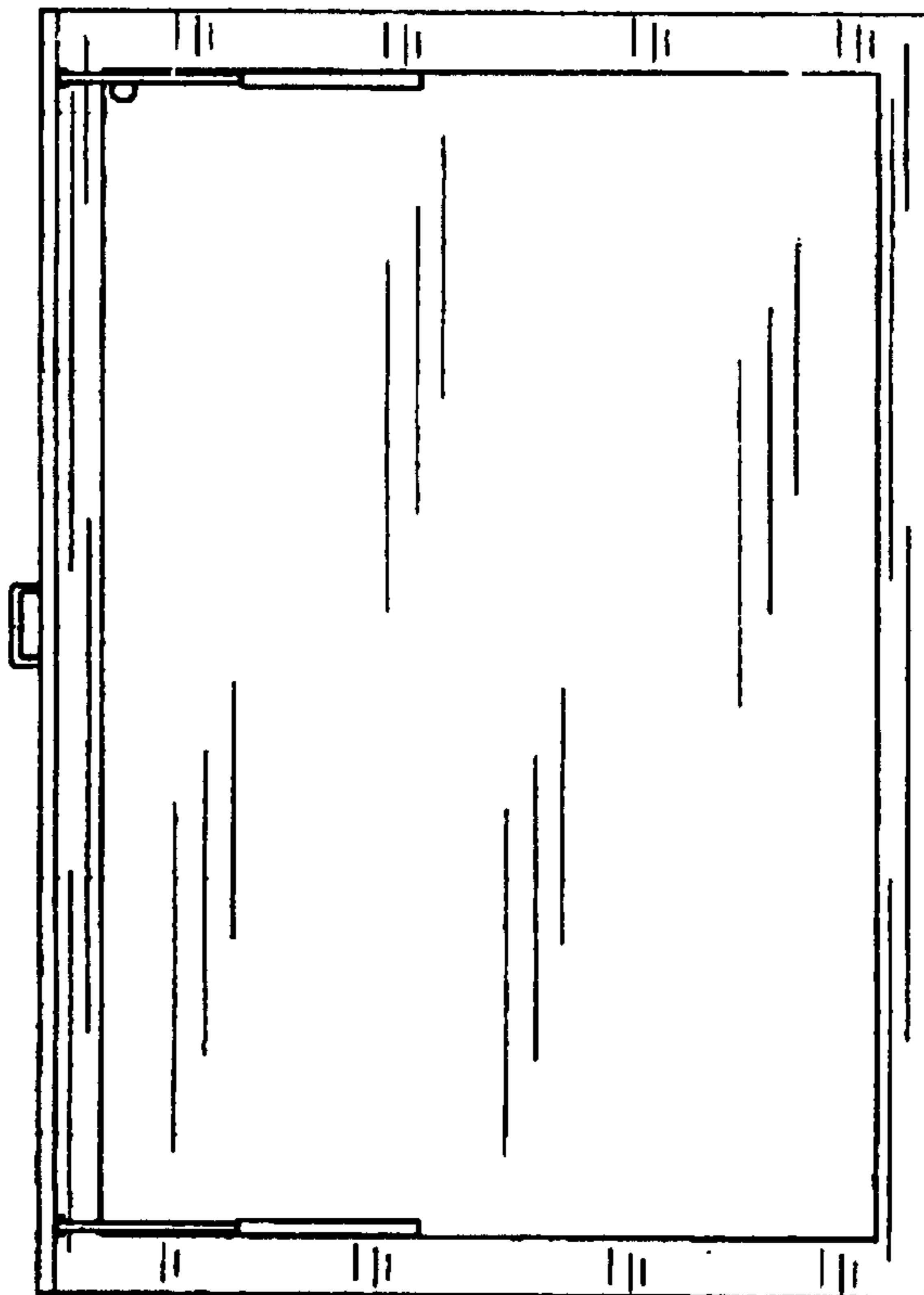


FIG. 4

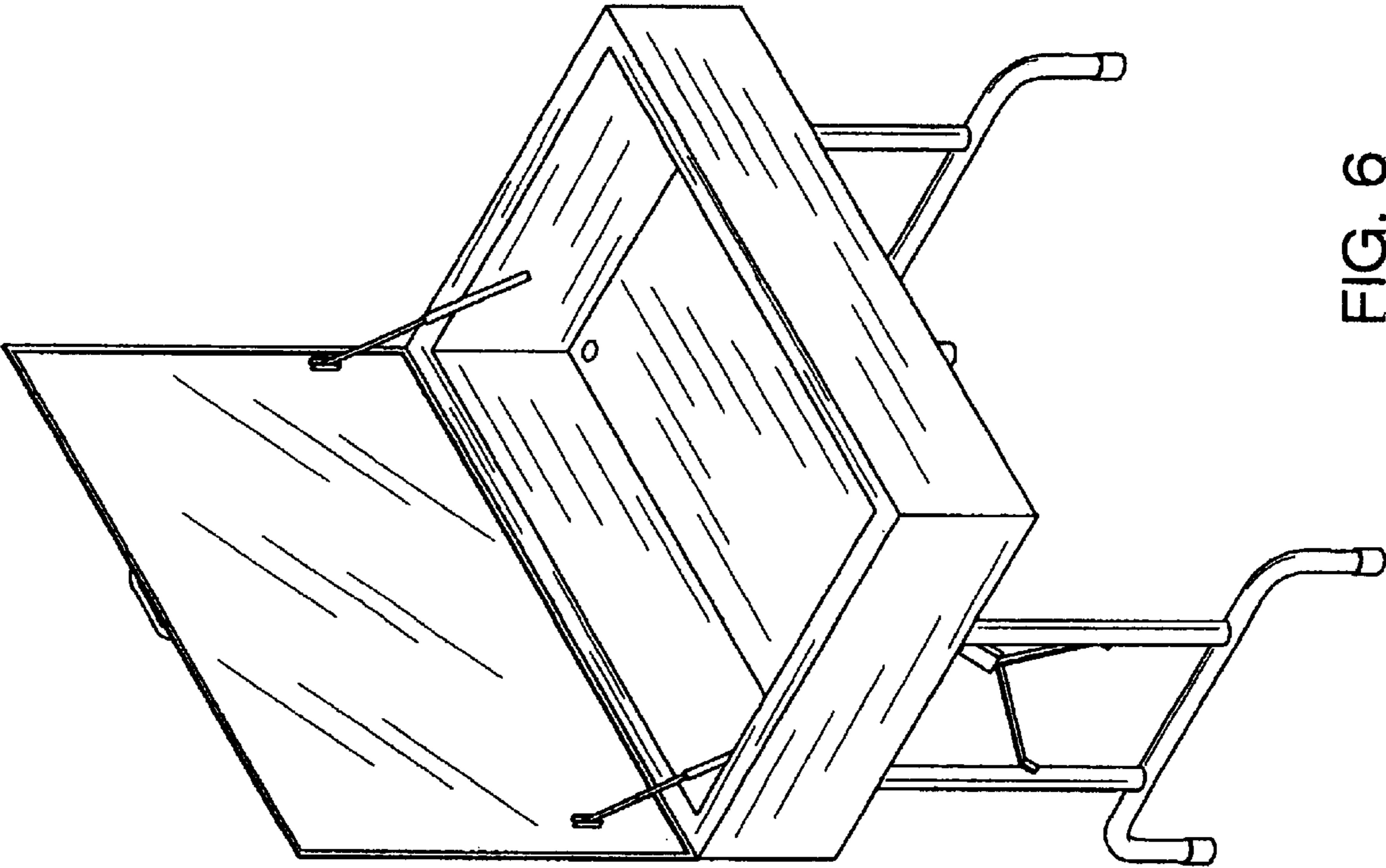


FIG. 6