

US00D520300S

(12) **United States Design Patent**
Bruttin

(10) **Patent No.:** **US D520,300 S**

(45) **Date of Patent:** **** May 9, 2006**

(54) **COFFEE MACHINE**

(75) Inventor: **Hubert Bruttin**, Venthône (CH)

(73) Assignee: **Steiner AG, Weggis**, Weggis (CH)

(**) Term: **14 Years**

(21) Appl. No.: **29/208,228**

(22) Filed: **Jun. 28, 2004**

(30) **Foreign Application Priority Data**

Jan. 9, 2004 (SE) 130 354

(51) **LOC (8) Cl.** **07-01**

(52) **U.S. Cl.** **D7/509; D7/511**

(58) **Field of Classification Search** D7/300,
D7/305, 306, 309, 310, 311; 222/54, 129.1;
99/287, 299, 282, 279, 280, 289 R, 302 R,
99/295, 305, 285; 426/433

See application file for complete search history.

(56) **References Cited**

U.S. PATENT DOCUMENTS

D336,206 S	*	6/1993	Littmann	D7/309
D344,656 S	*	3/1994	Felip	D7/309
D385,455 S	*	10/1997	Cortese	D7/309
D396,987 S	*	8/1998	Seiffert	D7/309
D400,046 S	*	10/1998	Seiffert	D7/309
D414,371 S	*	9/1999	Seiffert	D7/309
D431,748 S	*	10/2000	Cahen	D7/309
D431,749 S	*	10/2000	Cahen	D7/309
D431,750 S	*	10/2000	Cahen	D7/309
D431,751 S	*	10/2000	Cahen	D7/309
D444,986 S	*	7/2001	Smith et al.	D7/311

D449,198 S	*	10/2001	Cahen	D7/309
D449,199 S	*	10/2001	Cahen	D7/309
D455,596 S	*	4/2002	Boos	D7/309
D459,628 S	*	7/2002	Cahen	D7/309
D481,580 S	*	11/2003	Daniels et al.	D7/309
D486,345 S	*	2/2004	Schwamkrug	D7/309
D495,189 S	*	8/2004	Cahen	D7/309
D499,927 S	*	12/2004	Lloyd	D7/309
D502,354 S	*	3/2005	Bruttin	99/287
6,901,846 B1	*	6/2005	Ruckstuhl	99/299
2001/0022138 A1	*	9/2001	Schmid	99/299
2003/0070555 A1	*	4/2003	Reyhanloo	99/282
2004/0118296 A1	*	6/2004	Ruckstuhl	99/279
2005/0126399 A1	*	6/2005	Bragg et al.	99/279

* cited by examiner

Primary Examiner—M. N. Pandozzi

(74) *Attorney, Agent, or Firm*—Wenderoth, Lind & Ponack, L.L.P.

(57) **CLAIM**

The ornamental design for a coffee machine, as shown and described.

DESCRIPTION

FIG. 1 is a perspective view of a coffee machine showing my new design;

FIG. 2 is a front view thereof;

FIG. 3 is a left side view thereof;

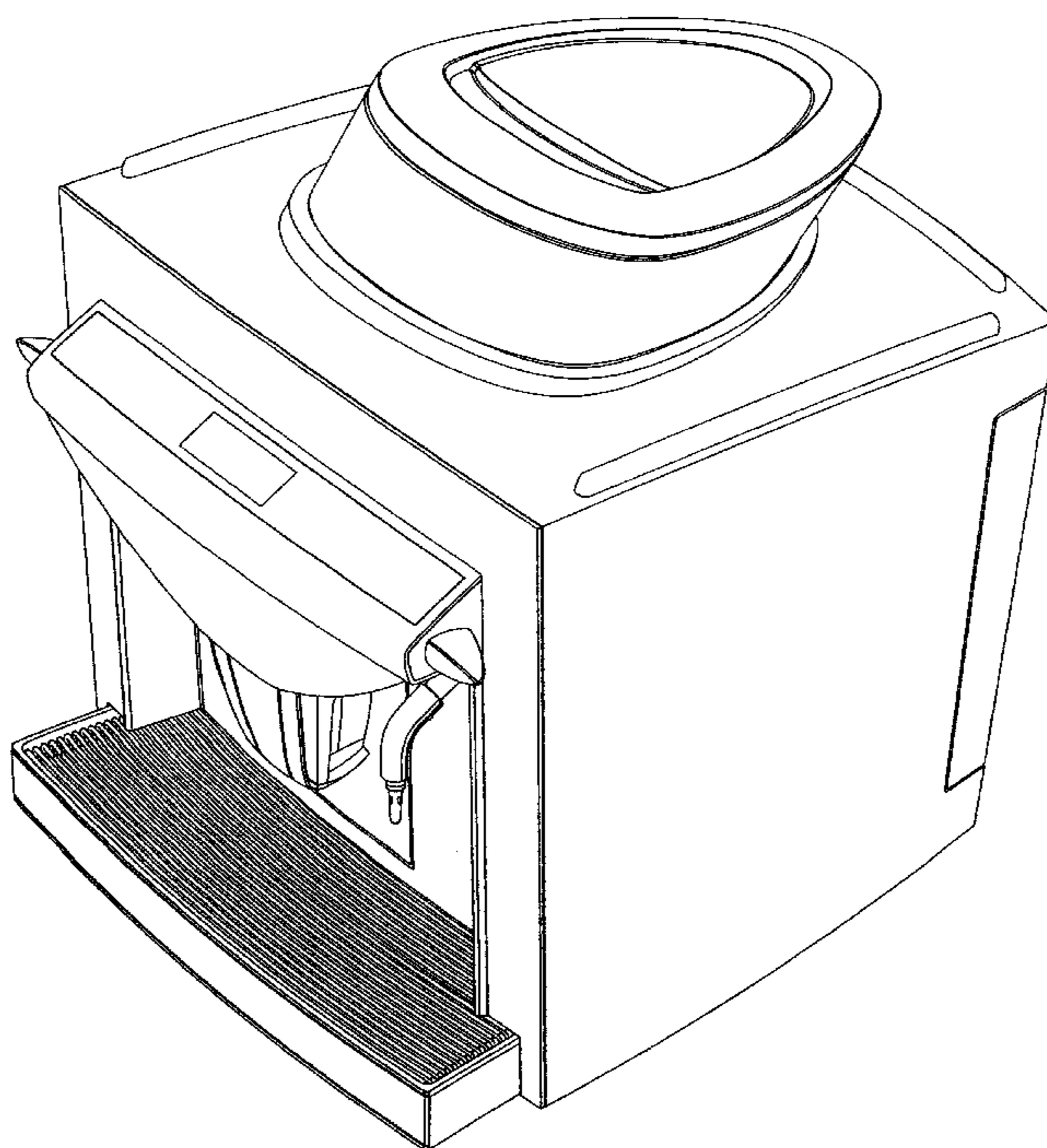
FIG. 4 is a right side view thereof;

FIG. 5 is a rear view thereof;

FIG. 6 is a top plan view thereof; and,

FIG. 7 is a bottom plan view thereof.

1 Claim, 7 Drawing Sheets



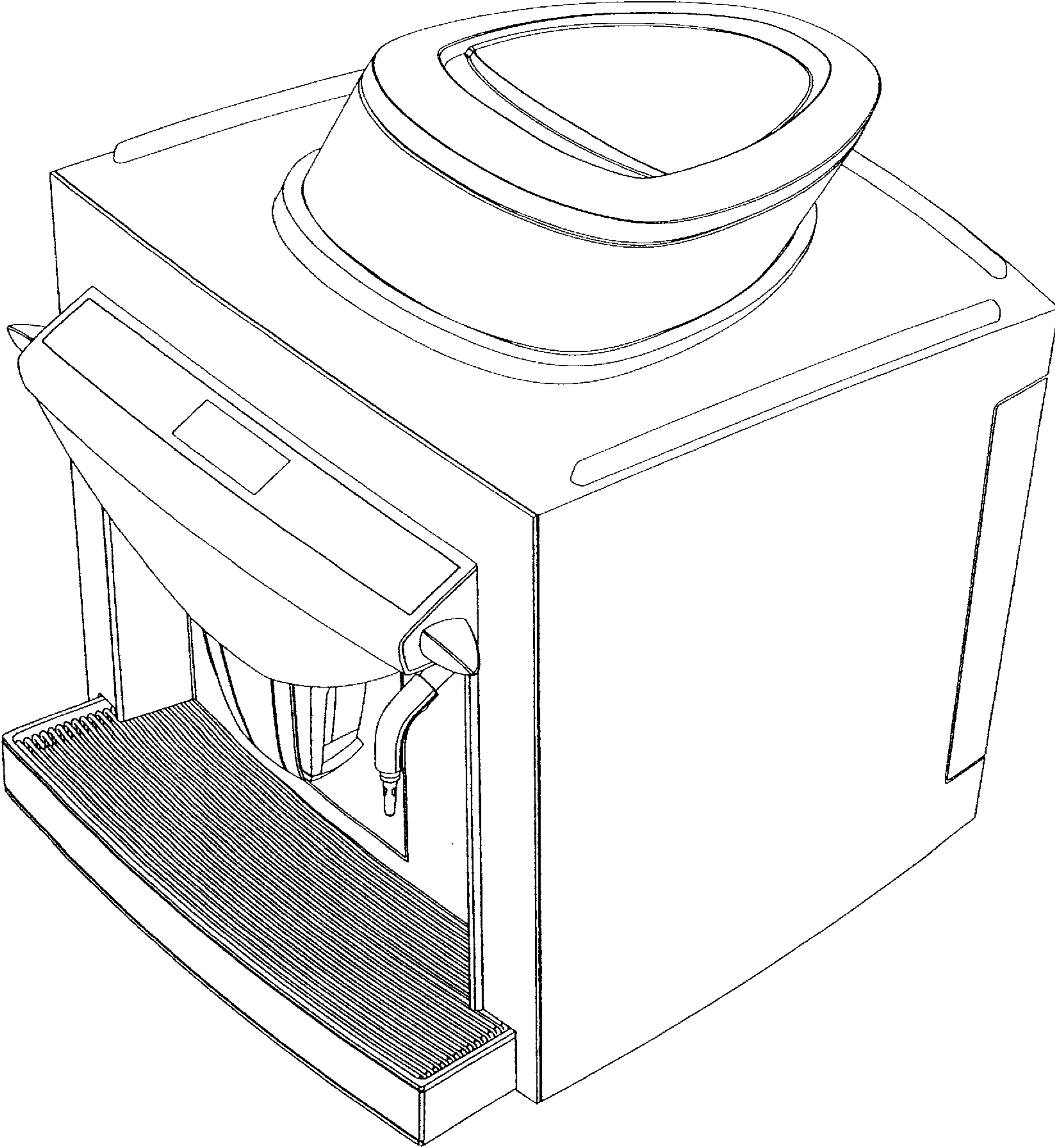


FIG. 1

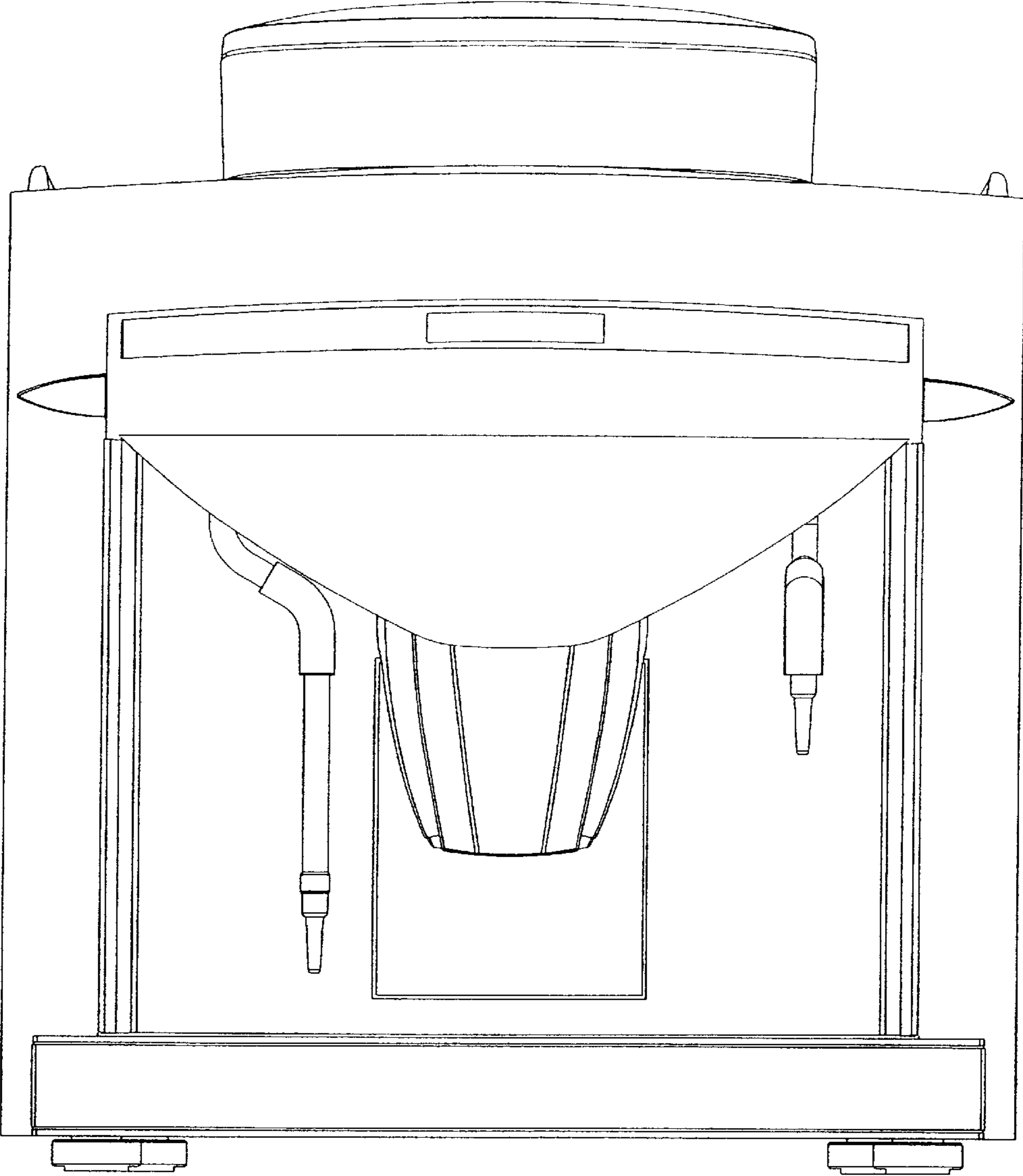


FIG. 2

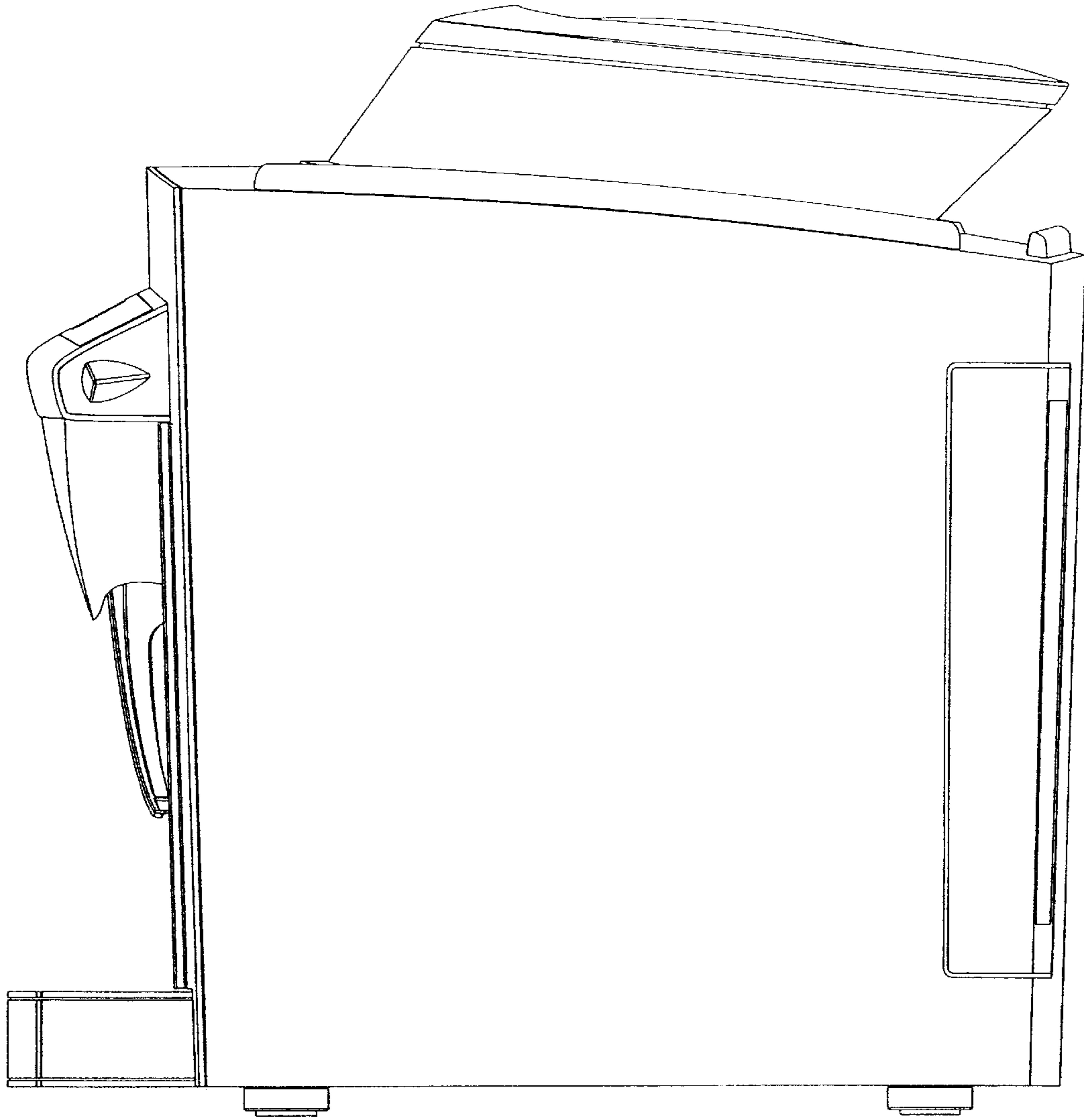


FIG. 3

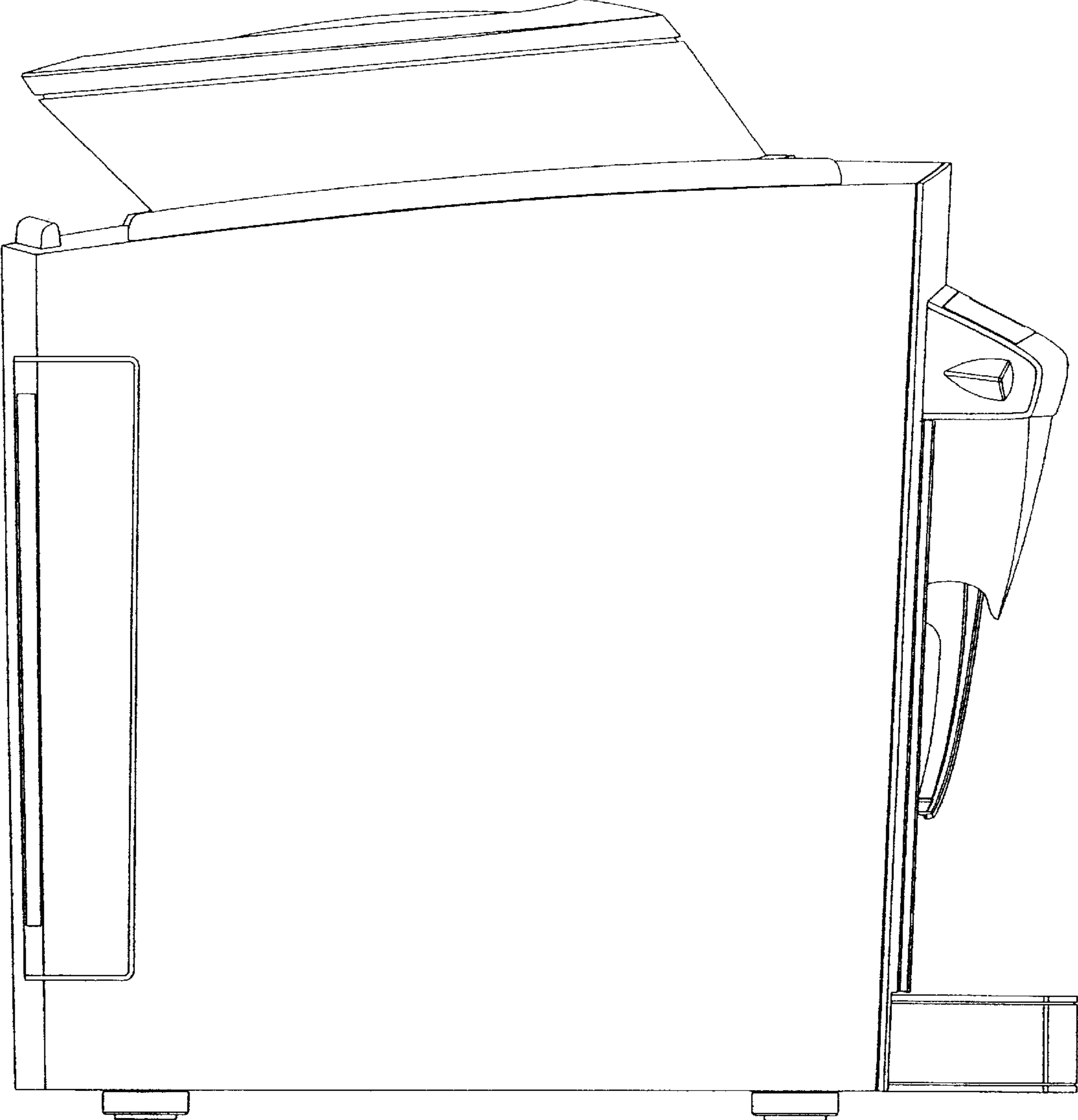


FIG. 4

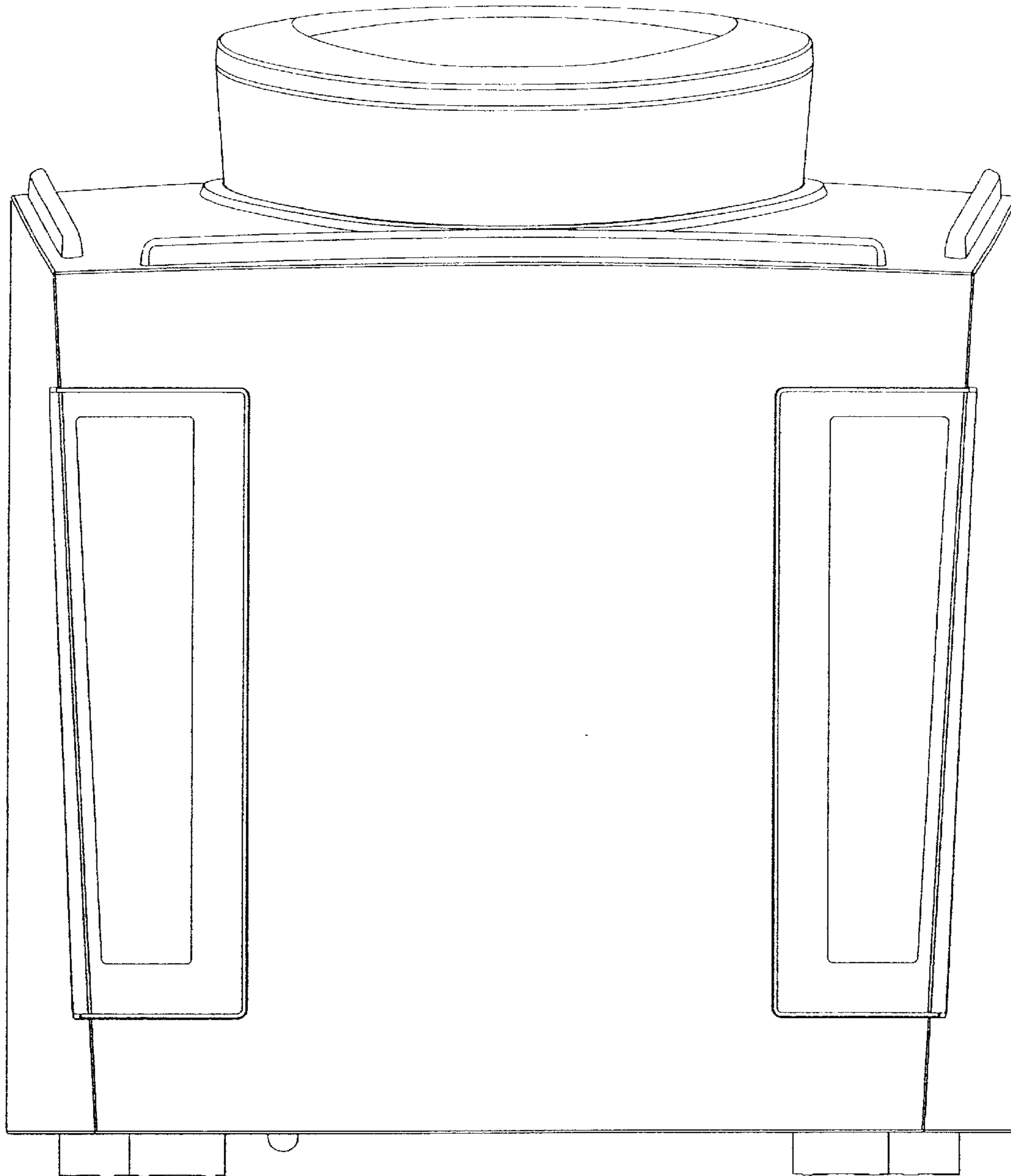


FIG. 5

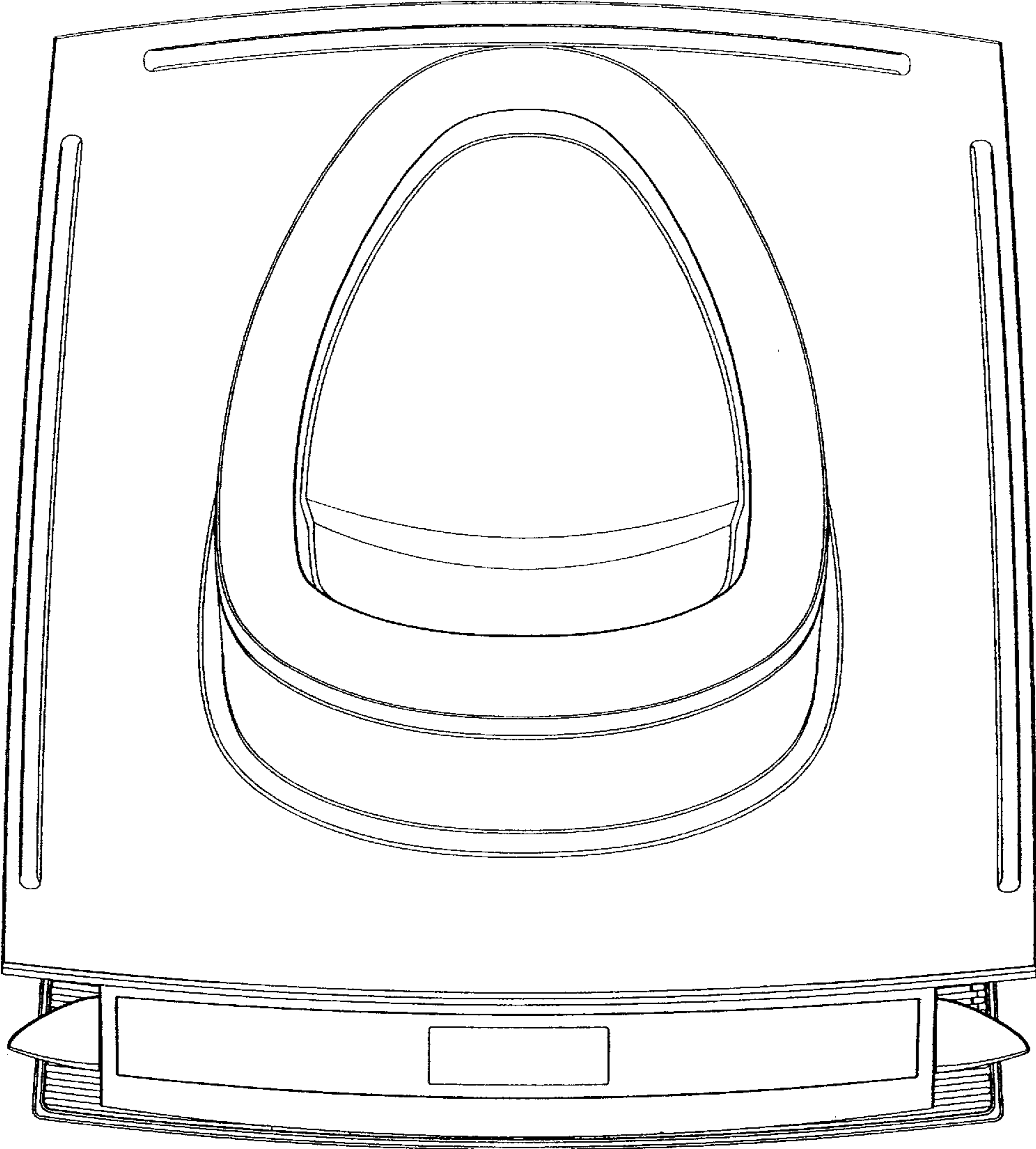


FIG. 6

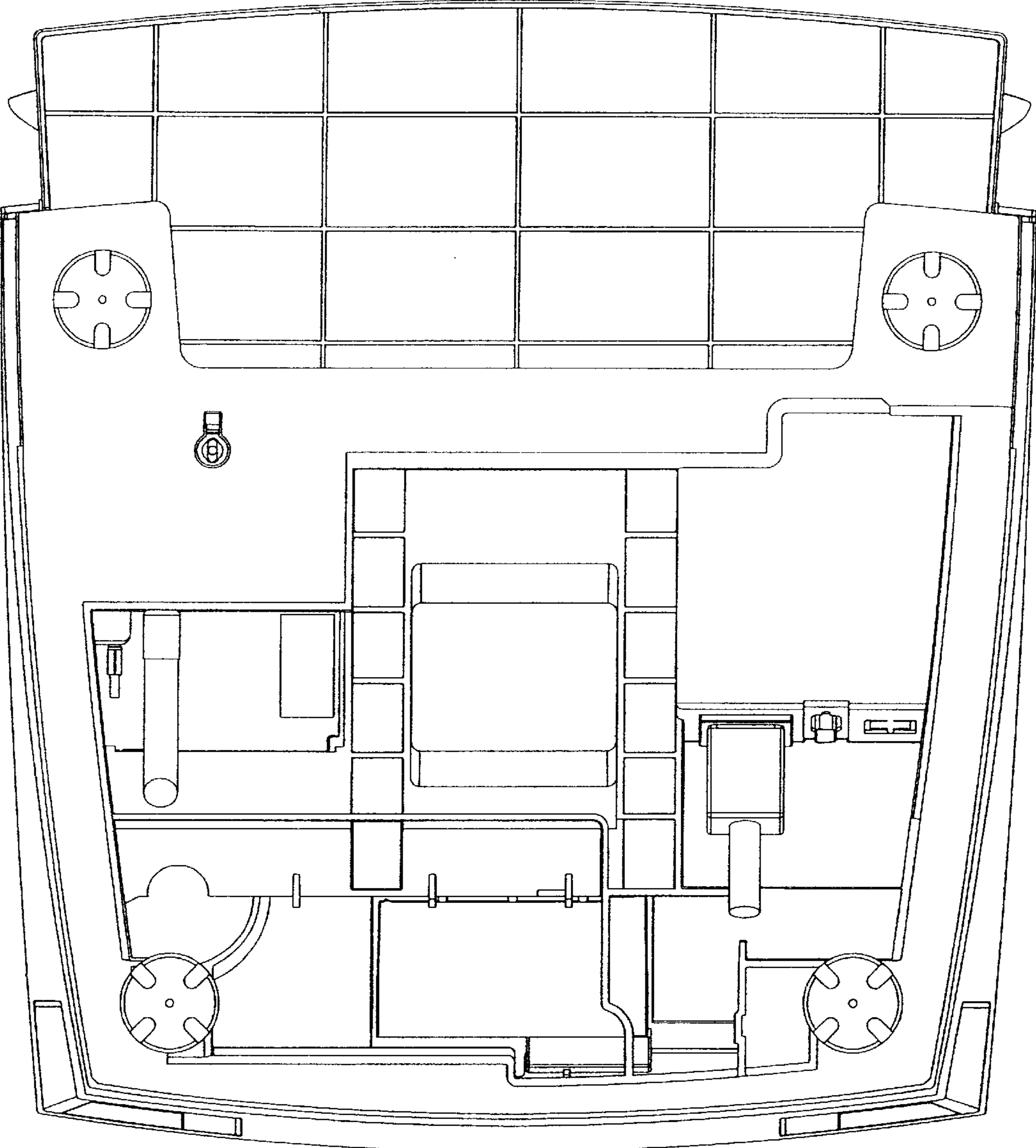


FIG. 7