

US00D520298S

(12) **United States Design Patent**
Huegerich et al.

(10) **Patent No.:** **US D520,298 S**

(45) **Date of Patent:** **** May 9, 2006**

- (54) **COOKING GRILL**
- (75) Inventors: **Michael L. Huegerich**, St. Louis, MO (US); **Thomas Vaughn**, Ballwin, MO (US); **Frank Ricchio**, Wildwood, MO (US); **Tim Gaskill**, Edwardsville, IL (US)
- (73) Assignee: **Stat Manufacturing International Inc.**, St. Louis, MO (US)
- (**) Term: **14 Years**
- (21) Appl. No.: **29/215,261**
- (22) Filed: **Oct. 15, 2004**
- (51) **LOC (8) Cl.** **07-02**
- (52) **U.S. Cl.** **D7/402**
- (58) **Field of Classification Search** D7/332–337, D7/402–405, 362–363, 365, 367; 126/19.5, 126/25 R, 25 A, 25 AA, 29–30, 9 R, 9 A, 126/9 B, 38, 37, 40, 268, 276, 305, 312, 126/50, 41 R, 77; 110/241; 99/339, 419, 99/449
See application file for complete search history.

- 6,155,160 A 12/2000 Hockbrueckner
- D437,176 S 2/2001 Bullard
- 6,250,211 B1 6/2001 Gongwer
- 6,349,715 B1 2/2002 McBroom
- 6,405,640 B1 6/2002 Moreth
- D462,227 S 9/2002 Alden et al.
- D462,564 S 9/2002 Brake et al.
- D465,123 S * 11/2002 Coleman et al. D7/334
- D465,693 S 11/2002 Coleman et al.
- D466,756 S * 12/2002 Bossler et al. D7/334
- D470,357 S 2/2003 Home
- D471,057 S 3/2003 Chung
- D472,756 S 4/2003 Pai
- D475,235 S * 6/2003 Home D7/334
- D479,092 S * 9/2003 Lewis et al. D7/332
- 6,619,600 B1 9/2003 Johnson et al.
- D483,983 S 12/2003 Harrod et al.
- 6,655,374 B1 12/2003 Beller et al.
- D485,467 S 1/2004 Pai
- D489,222 S 5/2004 Pai
- D491,414 S * 6/2004 Nichols et al. D7/402
- D494,004 S * 8/2004 Chapman D7/334

* cited by examiner

Primary Examiner—Ruth McInroy
(74) *Attorney, Agent, or Firm*—Husch & Eppenberger LLC; Grant D. Kang; H. Frederick Rusche

(56) **References Cited**
U.S. PATENT DOCUMENTS

- 3,991,739 A 11/1976 Hoffman, Jr.
- 4,108,055 A 8/1978 Simmons
- 4,166,413 A 9/1979 Meszaros
- 4,181,074 A 1/1980 Hieb
- 4,598,693 A 7/1986 Koziol
- 5,033,449 A 7/1991 Hanagan
- 5,341,793 A 8/1994 Brown
- D362,153 S 9/1995 Home
- 5,536,518 A * 7/1996 Rummel 426/523
- 5,755,154 A * 5/1998 Schroeter et al. 99/401
- 5,813,394 A 9/1998 Clifford
- 5,974,952 A 11/1999 Riccio
- 6,041,695 A 3/2000 Kuopus
- 6,073,623 A 6/2000 Maschhoff
- 6,125,837 A * 10/2000 Mulberry 126/41 R
- 6,132,055 A 10/2000 Grisamore et al.
- D433,279 S 11/2000 Schlosser et al.

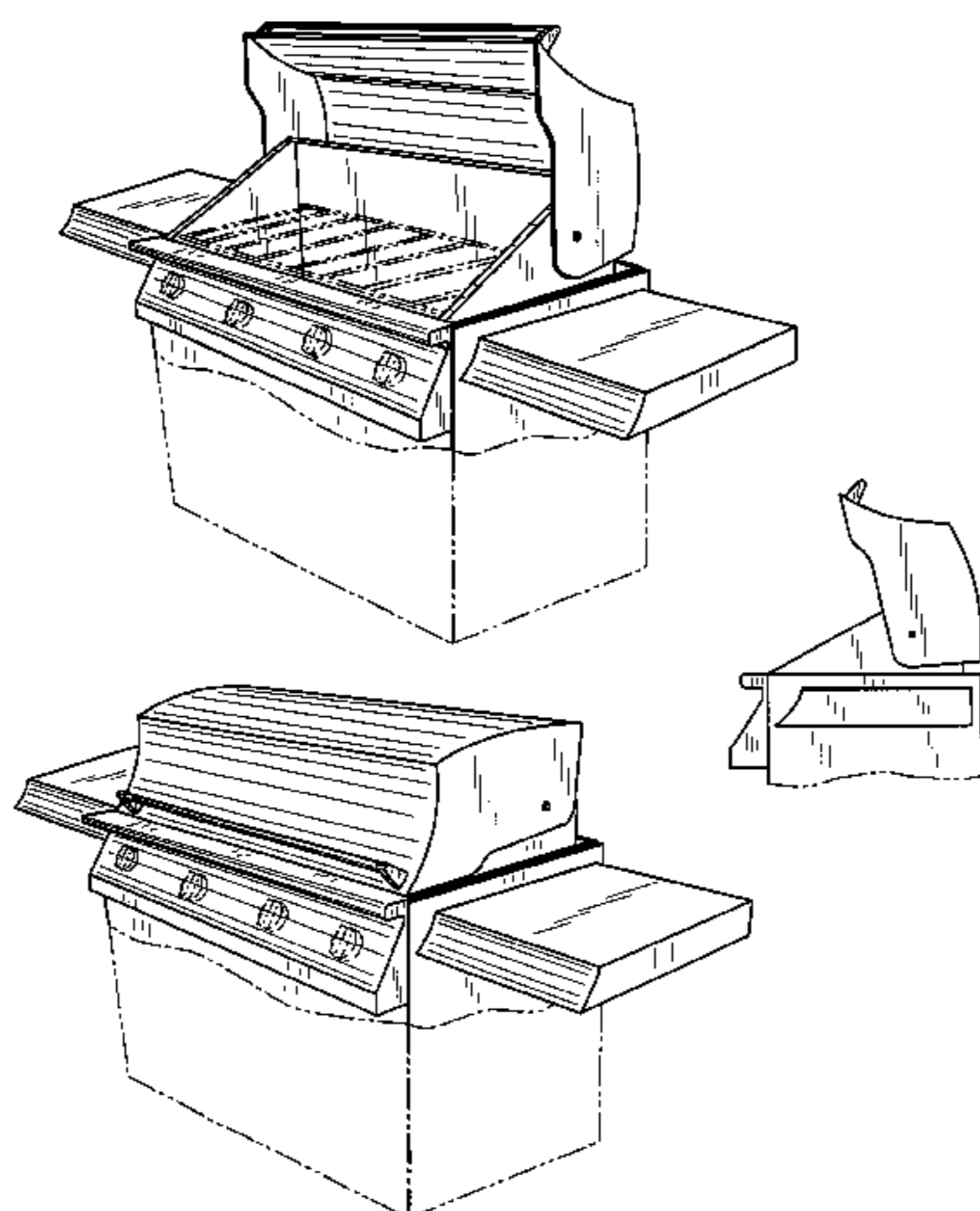
(57) **CLAIM**

I claim the ornamental design for a cooking grill, as shown and described.

DESCRIPTION

FIG. 1 is a perspective view of a cooking grill with an open hood showing our new design;
FIG. 2 is a perspective view thereof with a closed hood;
FIG. 3 is a front view thereof with an open hood;
FIG. 4 is a rear view thereof, with an open hood;
FIG. 5 is a top view thereof with an open hood;
FIG. 6 is a left side view thereof with an open hood; and,
FIG. 7 is a right side view thereof with an open hood.
The details shown in broken lines in FIGS. 1 and 2 form no part of the claimed design.

1 Claim, 2 Drawing Sheets



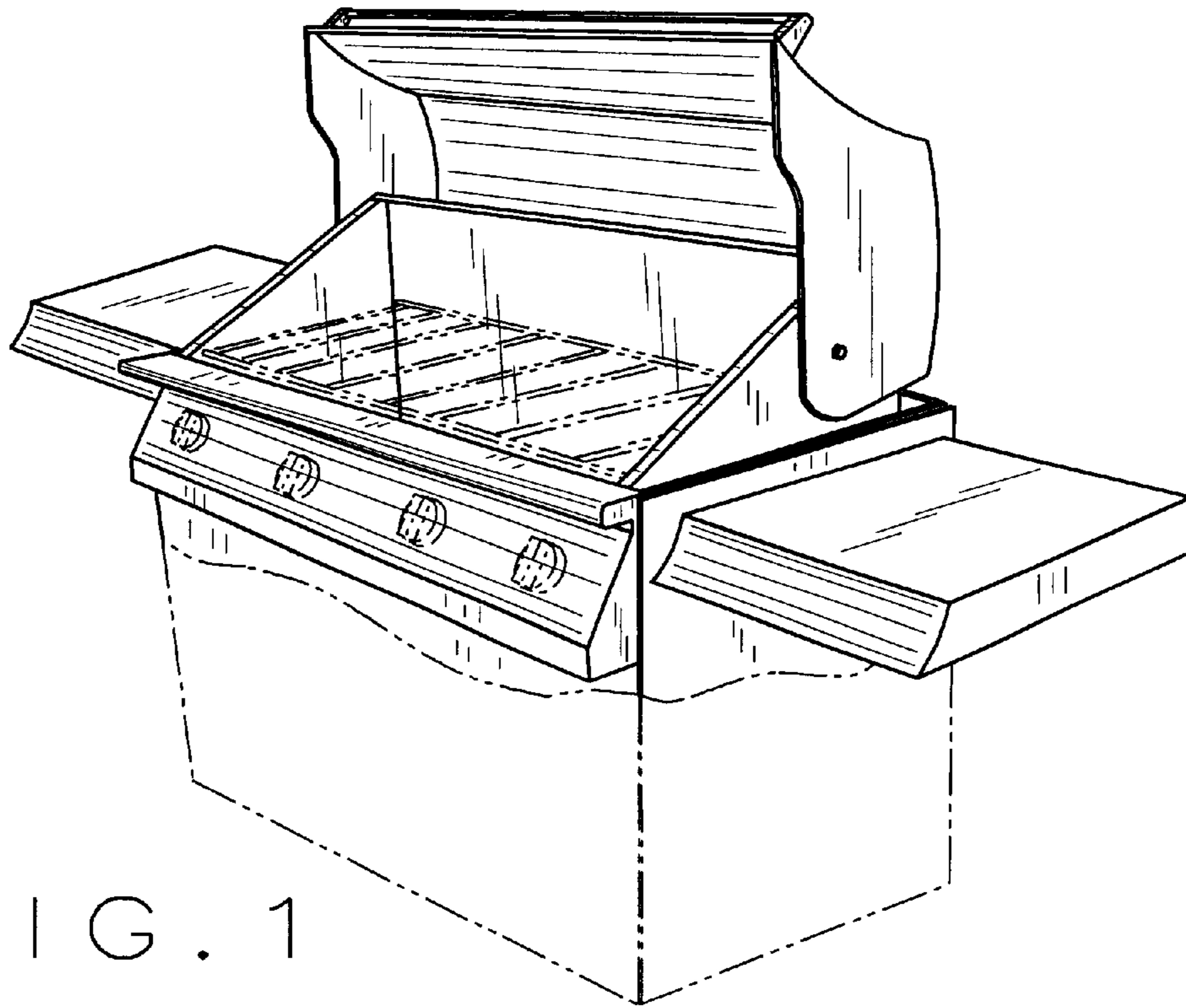


FIG. 1

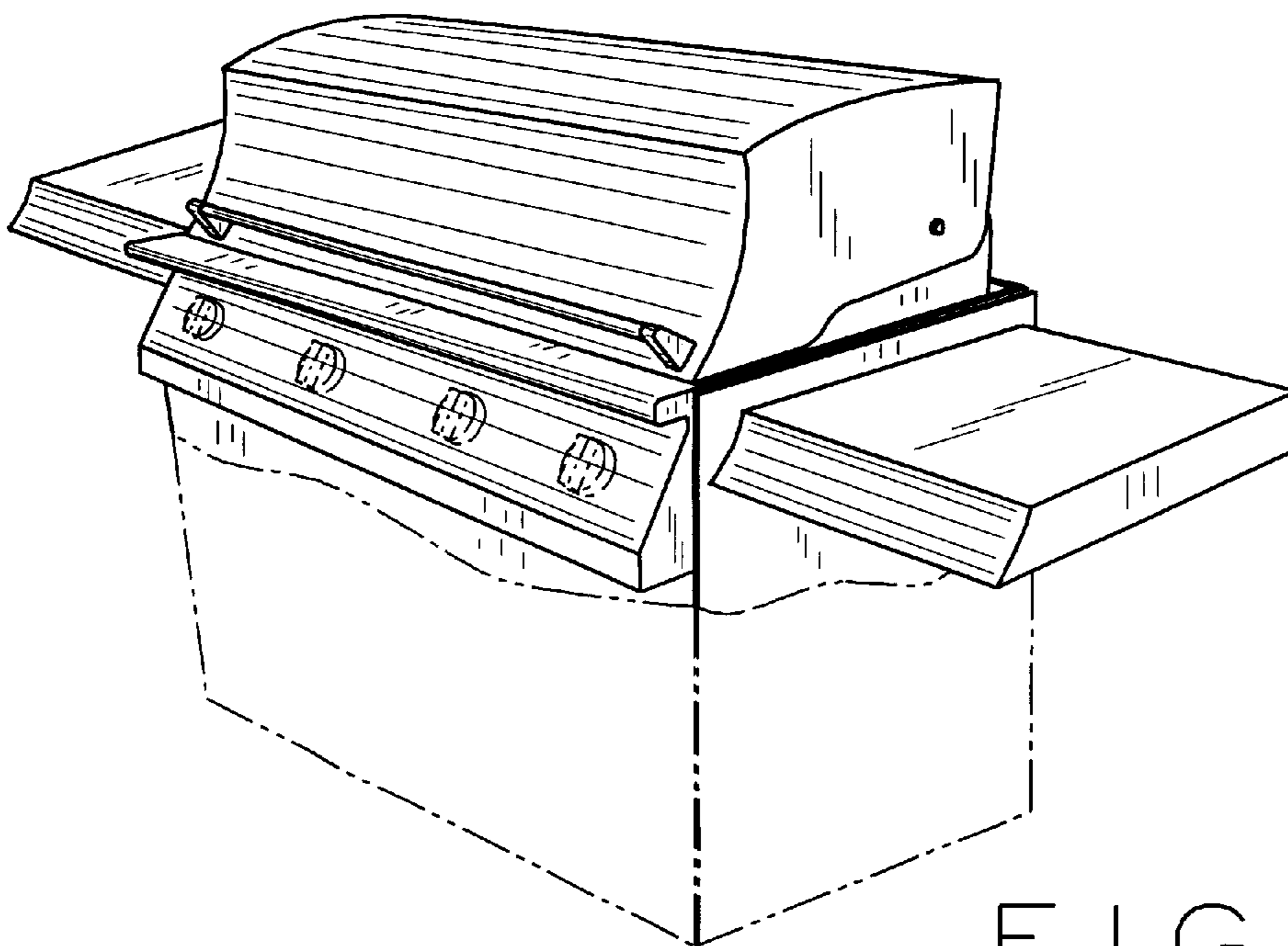


FIG. 2

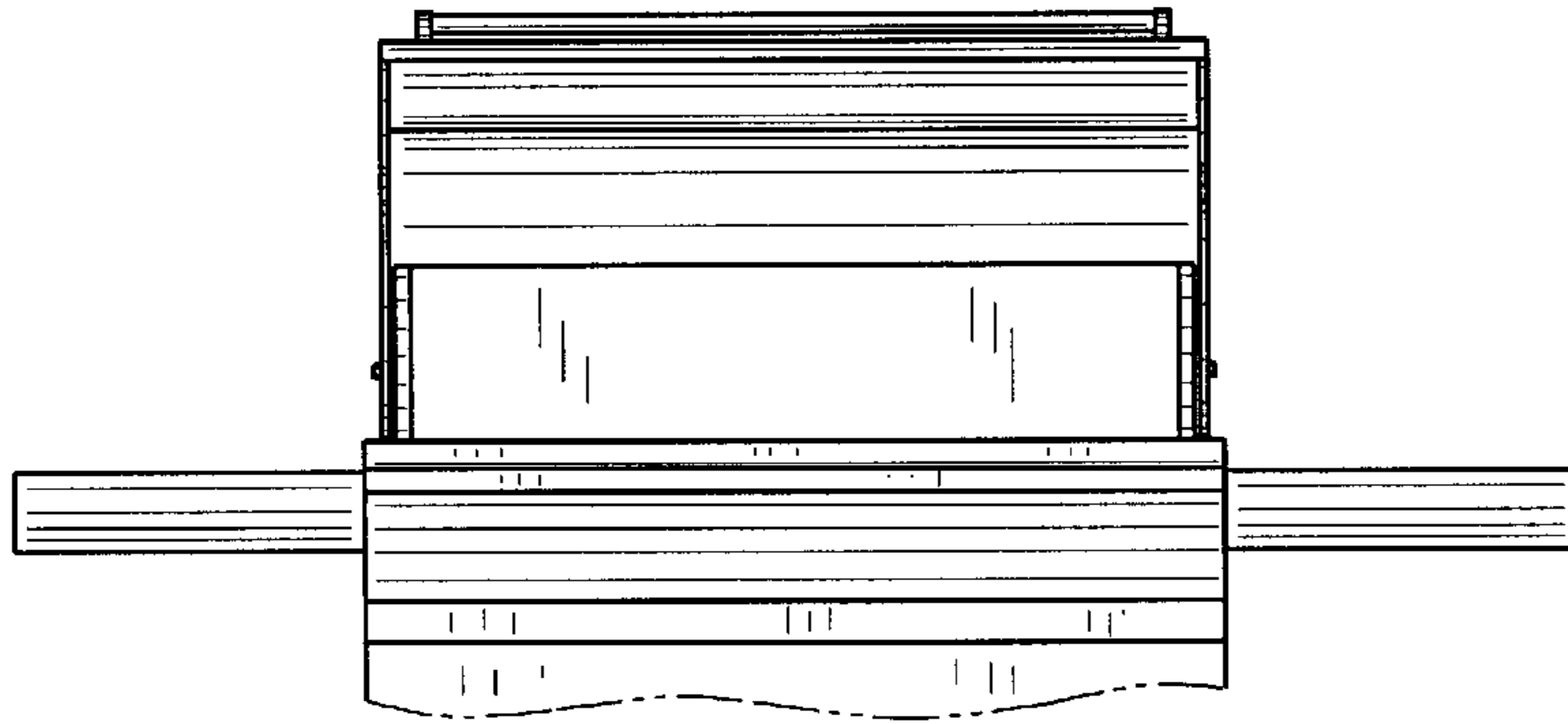


FIG. 3

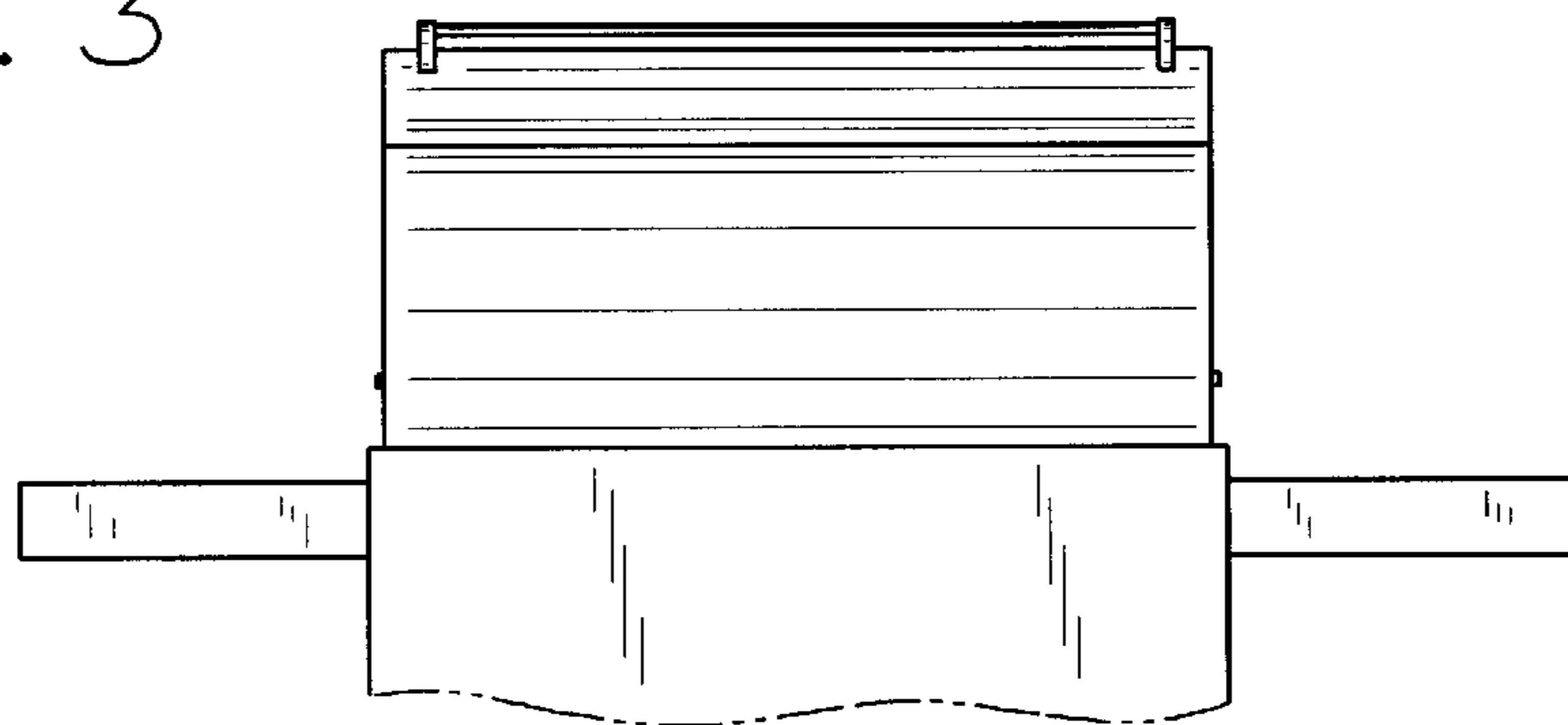


FIG. 4

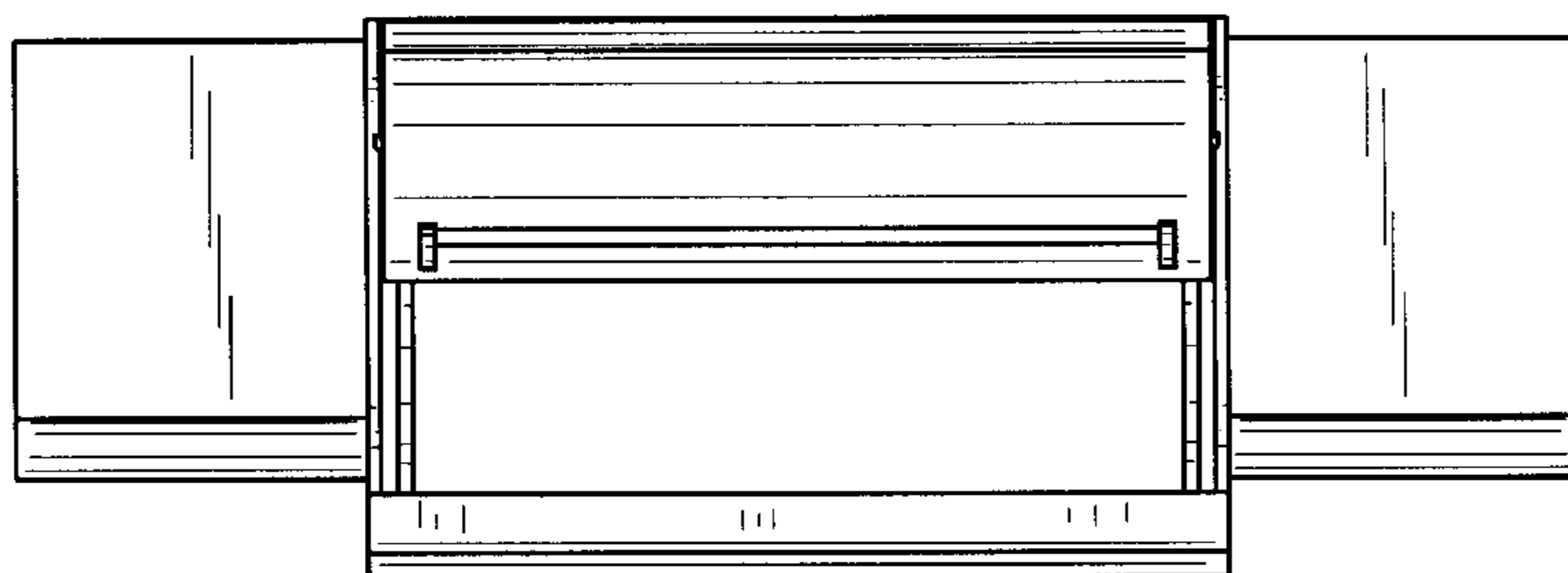


FIG. 5

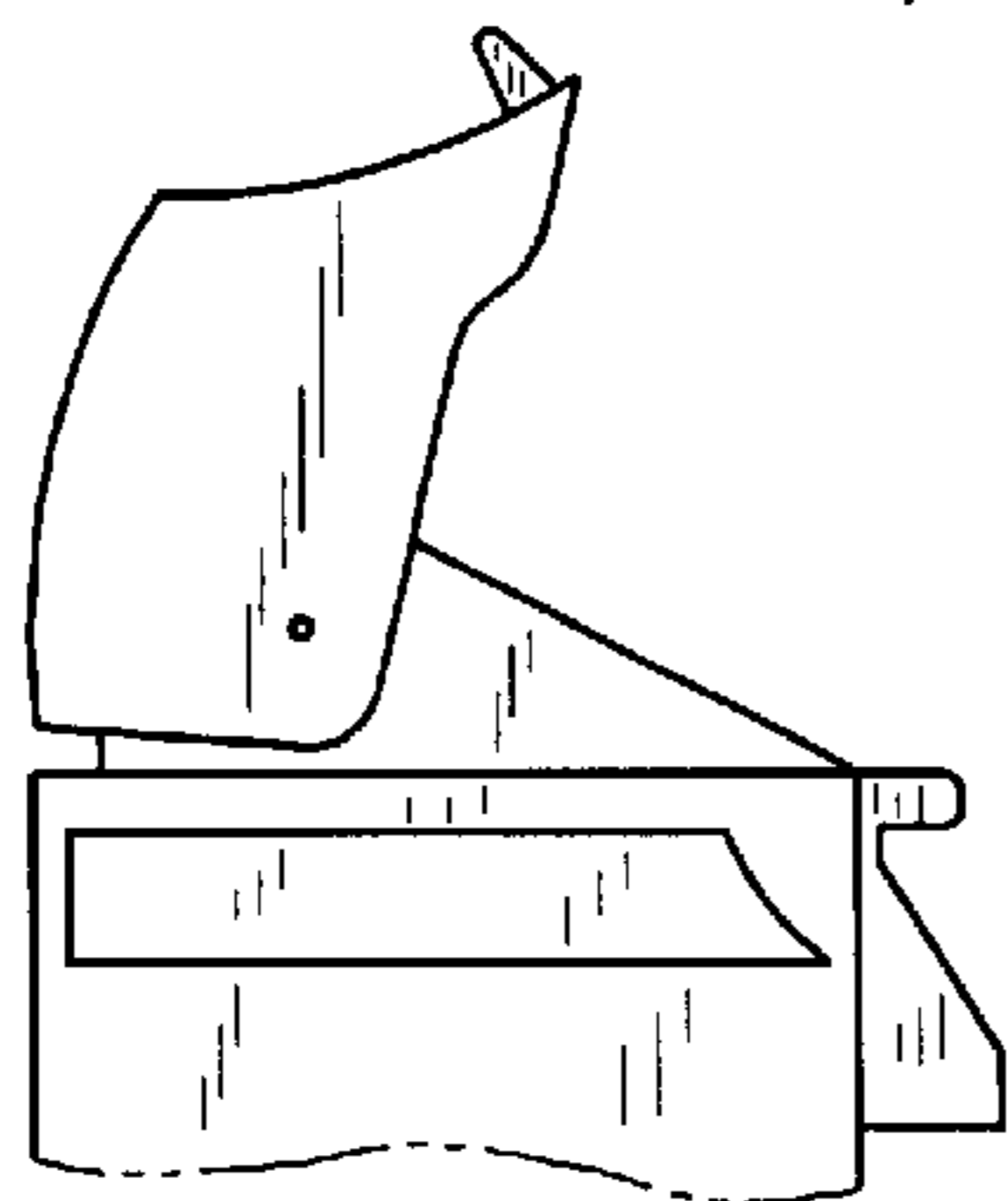


FIG. 6

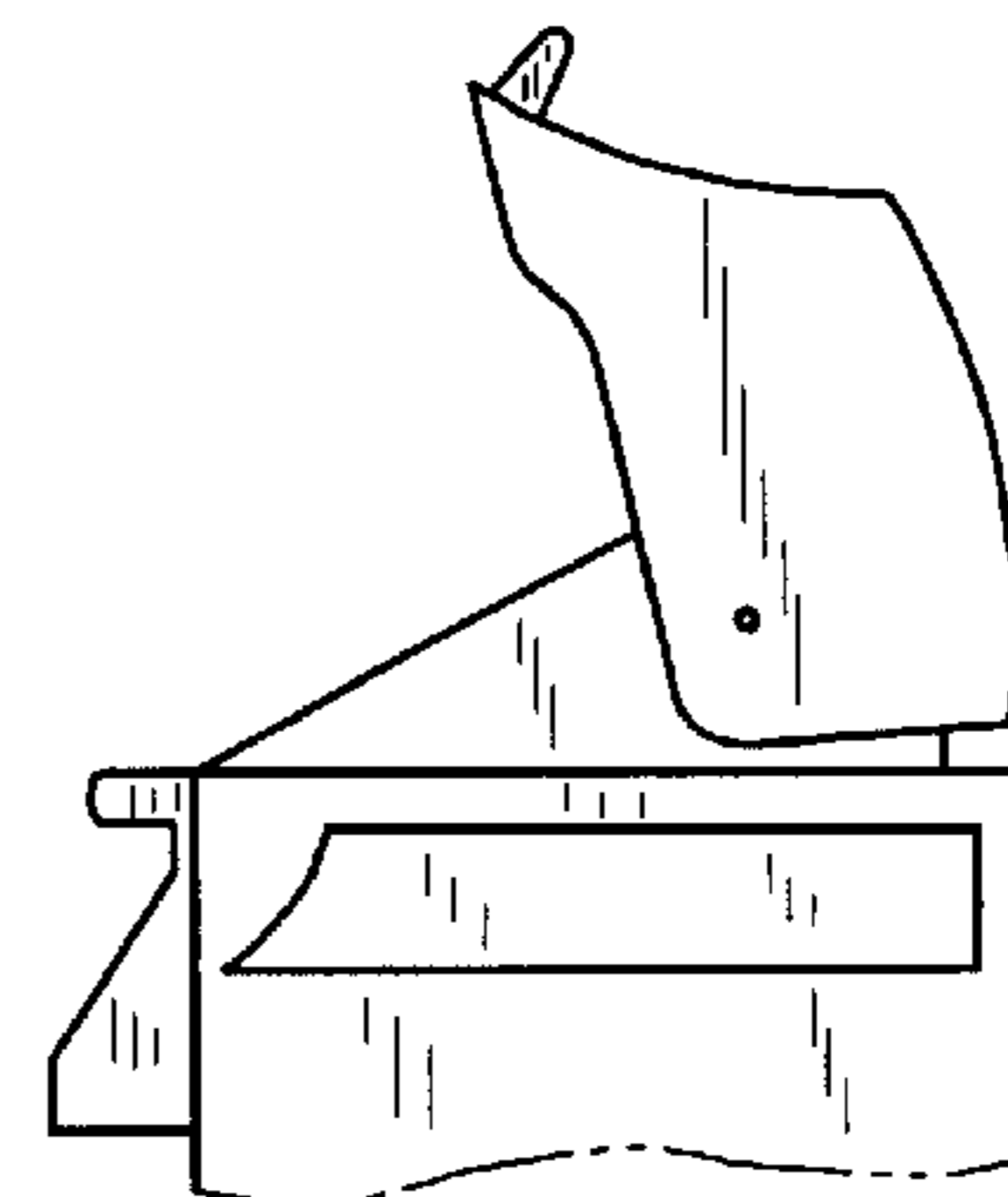


FIG. 7

UNITED STATES PATENT AND TRADEMARK OFFICE
CERTIFICATE OF CORRECTION

PATENT NO. : Des. 520,298 S
APPLICATION NO. : 29/215261
DATED : May 9, 2006
INVENTOR(S) : Michael L. Huegerich et al.

Page 1 of 1

It is certified that error appears in the above-identified patent and that said Letters Patent is hereby corrected as shown below:

On the Title Page, item (73)

Assignee name reads

“Stat Manufacturing International Inc.”

Assignee should read

--Star Manufacturing International Inc.--.

Signed and Sealed this

Twentieth Day of February, 2007

A handwritten signature in black ink on a dotted background. The signature reads "Jon W. Dudas" in a cursive style.

JON W. DUDAS

Director of the United States Patent and Trademark Office