



US00D520297S

(12) **United States Design Patent**  
**Salazar**

(10) **Patent No.:** **US D520,297 S**

(45) **Date of Patent:** **\*\* May 9, 2006**

(54) **KNIFE HANDLE**

(75) Inventor: **Anderson Pereira Salazar**, Sao Leopoldo (BR)

(73) Assignee: **Mundial, Inc.**, Norwood, MA (US)

(\*\*) Term: **14 Years**

(21) Appl. No.: **29/212,965**

(22) Filed: **Sep. 10, 2004**

**Related U.S. Application Data**

(62) Division of application No. 29/181,030, filed on May 2, 2003.

(51) **LOC (8) Cl.** ..... **07-03**

(52) **U.S. Cl.** ..... **D7/401.2; D7/649**

(58) **Field of Classification Search** ..... D7/642-652, D7/401.2; D8/98, 107; D22/117, 118; 30/142, 30/147-150, 329, 355, 340-346  
See application file for complete search history.

(56) **References Cited**

**U.S. PATENT DOCUMENTS**

336,314 A	*	2/1886	Hatfield	.....	30/342
348,330 A	*	8/1886	La Fave	.....	30/343
432,991 A	*	7/1890	Eggleston et al.	.....	30/342
2,059,414 A	*	11/1936	Taylor	.....	30/355

D192,916 S	*	5/1962	Zorn	.....	D7/649
D280,173 S	*	8/1985	Welch	.....	D7/649
D300,601 S	*	4/1989	Himbert et al.	.....	D8/107
D372,635 S	*	8/1996	Gebhardt	.....	D7/401.2
D460,900 S	*	7/2002	Parlowski	.....	D7/649

\* cited by examiner

*Primary Examiner*—Caron D. Veynar

(74) *Attorney, Agent, or Firm*—Wolf, Greenfield & Sacks, P.C.

(57) **CLAIM**

The ornamental design for a knife handle, as shown and described.

**DESCRIPTION**

FIG. 1 is a bottom view of an embodiment of a knife handle according to the invention;

FIG. 2 is a top view of the knife handle of FIG. 1;

FIG. 3 is a side view of the knife handle of FIG. 1;

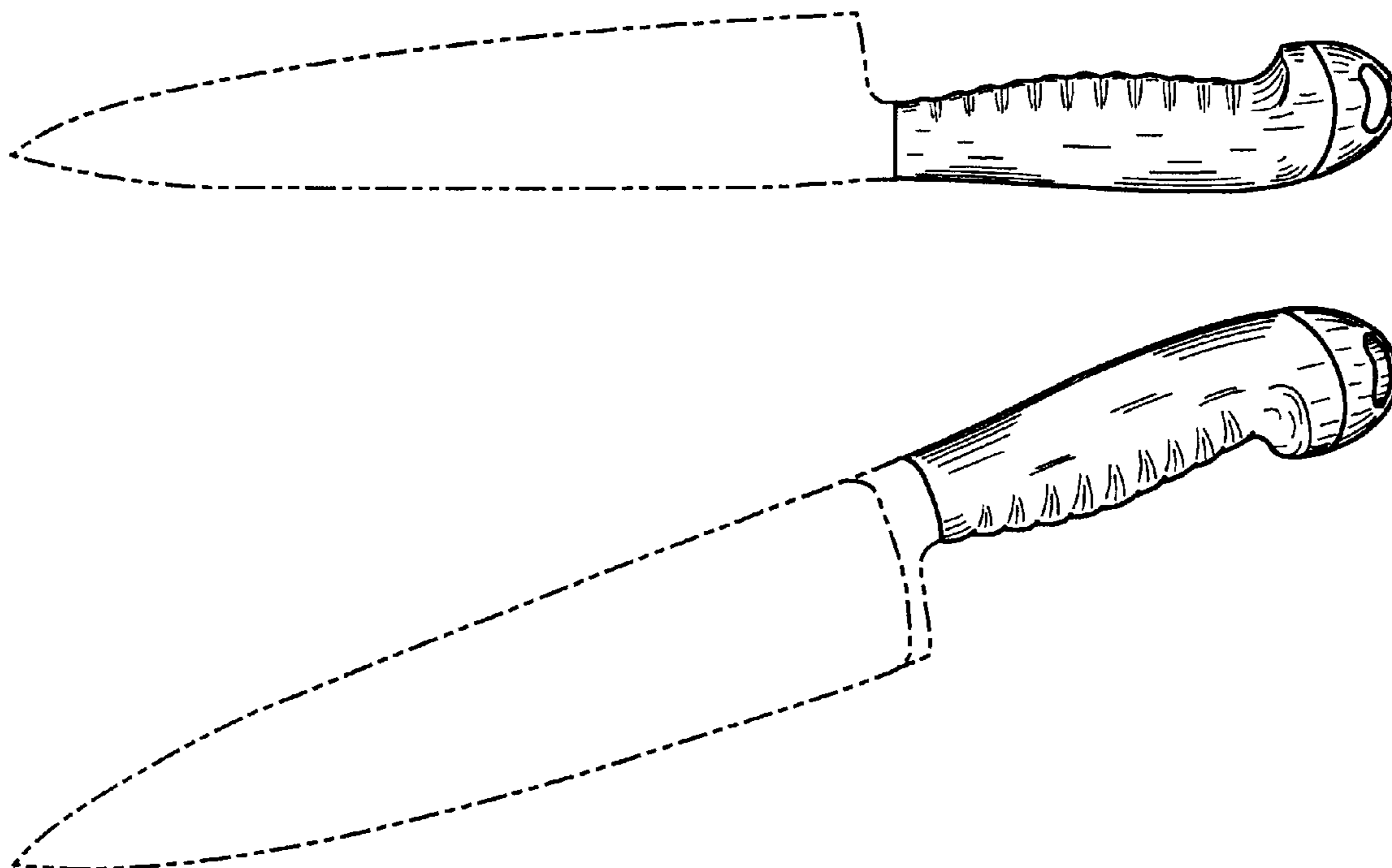
FIG. 4 is a front end view of the knife handle of FIG. 1;

FIG. 5 is a rear end view of the knife handle of FIG. 1; and,

FIG. 6 is a front perspective view of the knife handle of FIG. 1.

The knife blade and other portions shown in broken lines are for illustrative purposes only and form no part of the claimed design.

**1 Claim, 1 Drawing Sheet**



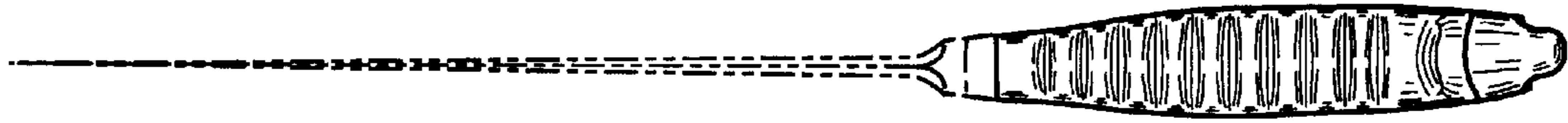


FIG. 1

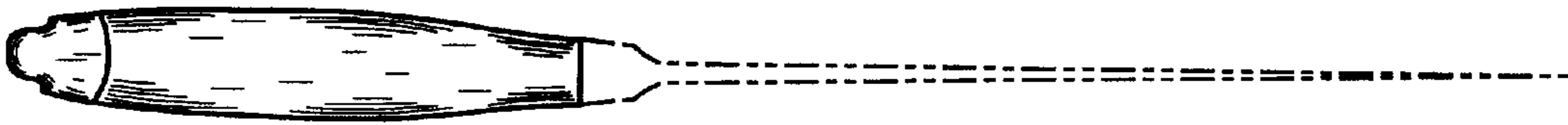


FIG. 2

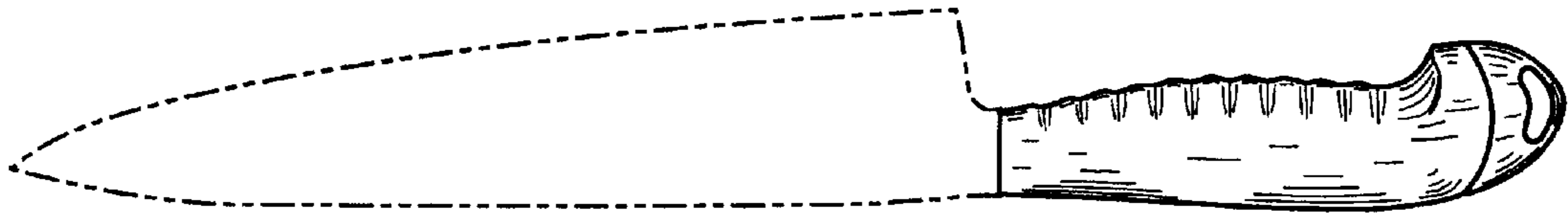


FIG. 3



FIG. 4



FIG. 5

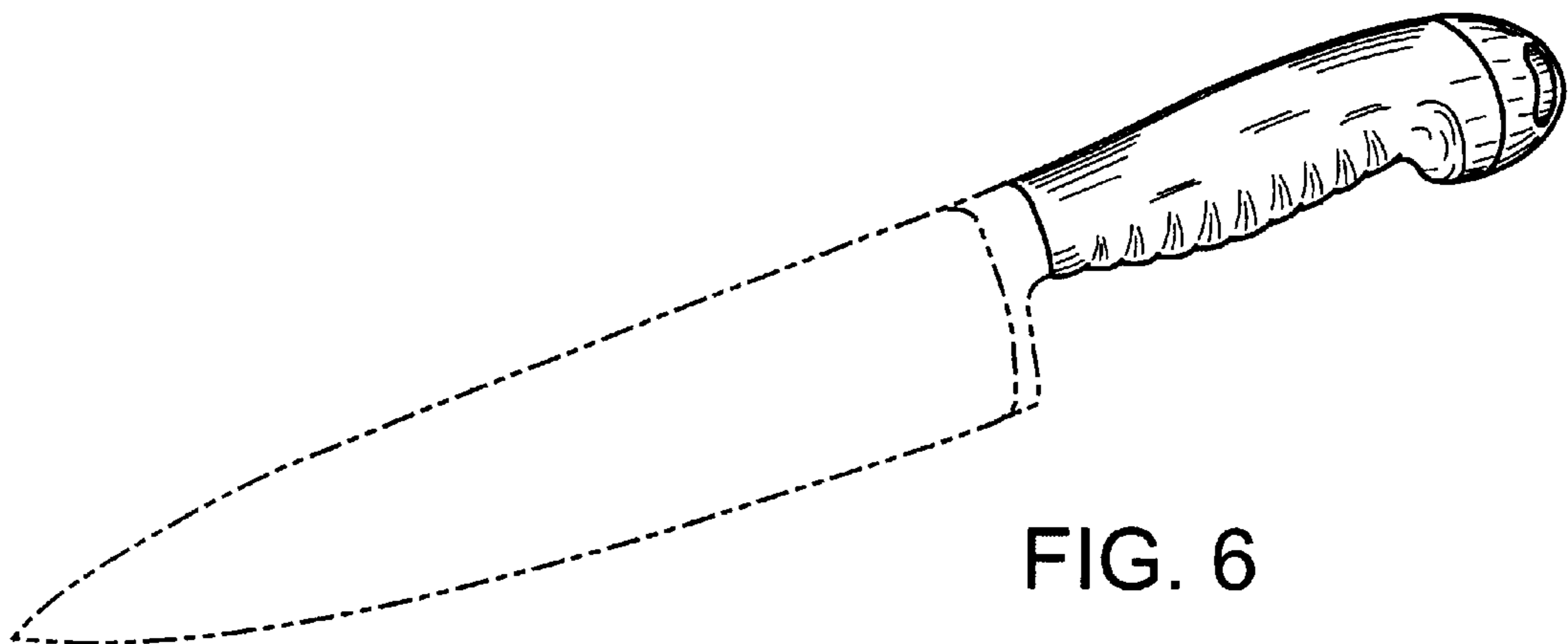


FIG. 6