



US00D520295S

(12) **United States Design Patent**
Schreiber-Pethan et al.

(10) **Patent No.:** **US D520,295 S**
(45) **Date of Patent:** **** May 9, 2006**

(54) **UTENSIL SHAFT**

(75) Inventors: **Rebecca Schreiber-Pethan**, Sheboygan, WI (US); **Brian J. Siehr**, Sheboygan, WI (US); **David M. Wasserman**, Whitefish Bay, WI (US)

(73) Assignee: **The Vollrath Company, L.L.C.**, Sheboygan, WI (US)

(**) Term: **14 Years**

(21) Appl. No.: **29/209,387**

(22) Filed: **Jul. 15, 2004**

(51) **LOC (8) Cl.** **07-02**

(52) **U.S. Cl.** **D7/395**

(58) **Field of Classification Search** D7/395,
D7/692, 691, 653, 667, 681, 682, 683, 642-652;
219/725; 294/7; 30/324-328; 99/279, 323;
210/470-474; 16/110.1, 430, 431, 436
See application file for complete search history.

(56) **References Cited**

U.S. PATENT DOCUMENTS

D282,708 S * 2/1986 Schaeffer D7/667
D291,046 S 7/1987 Johnson

(Continued)

OTHER PUBLICATIONS

Setting the Standard, Smallwares and Light Equipment Catalog, 2003, 4 pages, The Vollrath Company, LLC, Form No. 34567.

Primary Examiner—Ruth McInroy

Assistant Examiner—Terrence Huang

(74) *Attorney, Agent, or Firm*—Foley & Lardner LLP

(57) **CLAIM**

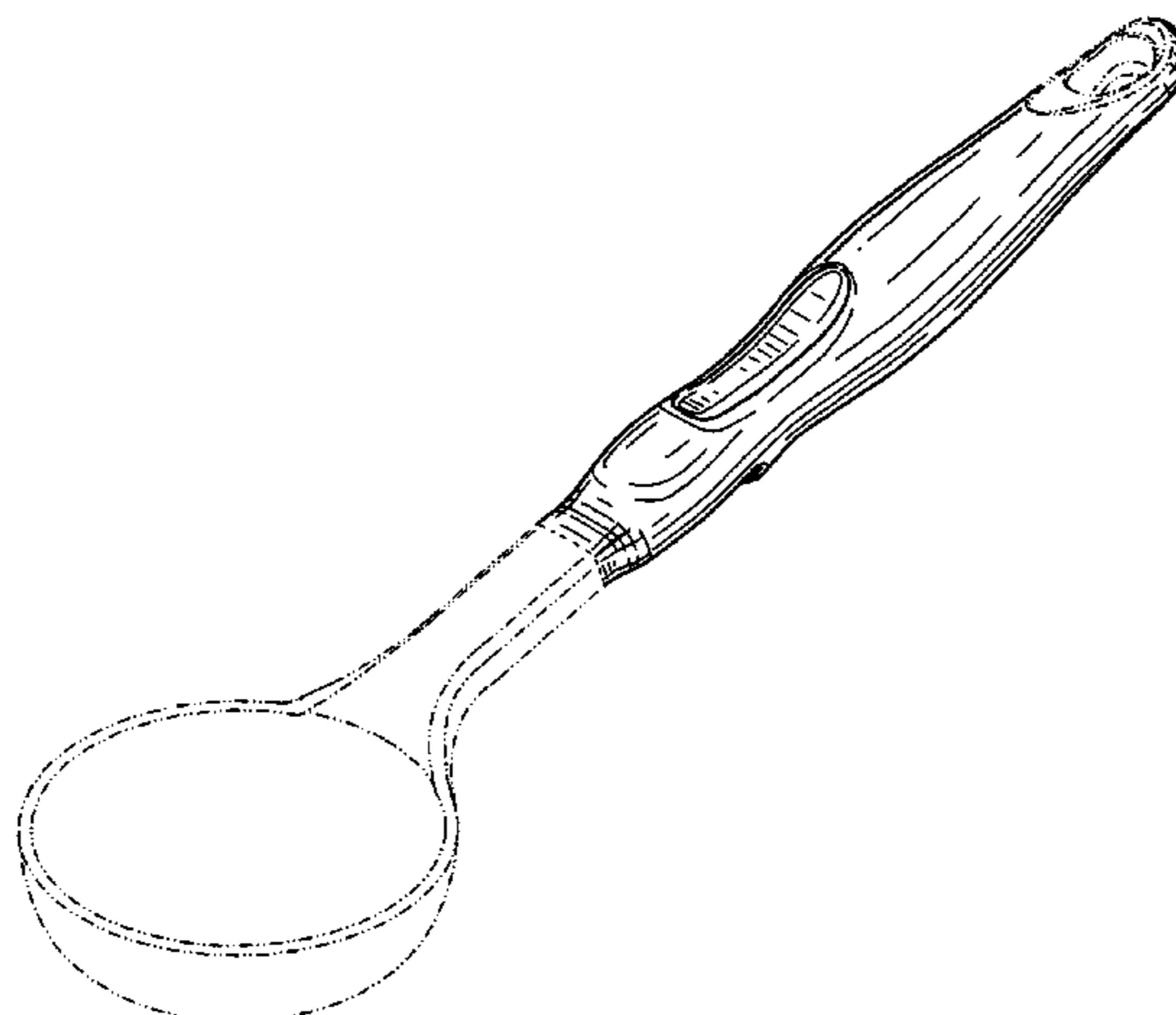
We claim the ornamental design for a utensil shaft, as shown and described.

DESCRIPTION

FIG. 1 is a top perspective view of a utensil shaft showing our new design;

FIG. 2 is a top plan view thereof;
FIG. 3 is a right side elevational view thereof, the left side elevational view being a mirror image;
FIG. 4 is a bottom plan view thereof;
FIG. 5 is a front elevational view thereof;
FIG. 6 is rear elevational view thereof;
FIG. 7 is a top perspective view of the utensil shaft, showing a utensil in a first alternate environment;
FIG. 8 is a top plan view of FIG. 7;
FIG. 9 is right side elevational view of FIG. 7, the left side elevational view being a mirror image;
FIG. 10 is bottom plan view of FIG. 7;
FIG. 11 is a front elevational view of FIG. 7;
FIG. 12 is a rear elevational view of FIG. 7;
FIG. 13 is a top perspective view of the utensil shaft, showing a utensil in a second alternate environment;
FIG. 14 is a top plan view of FIG. 13;
FIG. 15 is a right side elevational view of FIG. 13, the left side elevational view being a mirror image;
FIG. 16 is a bottom plan view of FIG. 13;
FIG. 17 is a front elevational view of FIG. 13;
FIG. 18 is rear elevational view of FIG. 13;
FIG. 19 is a top perspective view of the utensil shaft, showing a utensil in a third alternate environment;
FIG. 20 is a top plan view of FIG. 19;
FIG. 21 is a right side elevational view of FIG. 19, the left side elevational view being a mirror image;
FIG. 22 is a bottom plan view of FIG. 19;
FIG. 23 is a front elevational view of FIG. 19;
FIG. 24 is a rear elevational view of FIG. 19;
FIG. 25 is a top perspective view of the utensil shaft, showing a utensil in a fourth alternate environment;
FIG. 26 is a top plan view of FIG. 25;
FIG. 27 is a right side elevational view of FIG. 25, the left side elevational view being a mirror image;
FIG. 28 is a bottom plan view of FIG. 25;
FIG. 29 is a front elevational view of FIG. 25; and,
FIG. 30 is a rear elevational view of FIG. 25.
The variations of a utensil shown in broken lines are for environmental purposes only and form no part of the claimed design.

1 Claim, 15 Drawing Sheets



US D520,295 S

Page 2

U.S. PATENT DOCUMENTS			
D292,663	S	11/1987	Johnson
D293,295	S	12/1987	Johnson
D307,095	S *	4/1990	Juergens D7/653
D312,749	S *	12/1990	Kessler D7/395
5,737,803	A *	4/1998	Tisdale D7/395
5,934,722	A *	8/1999	Evans 294/7
6,239,417	B1 *	5/2001	Vidmar et al. 219/725
D463,223	S *	9/2002	Bien D7/696
D467,137	S *	12/2002	Gross D7/692
D486,041	S *	2/2004	Siehr et al. D7/691
D486,354	S *	2/2004	Bratton et al. D7/395
D486,359	S *	2/2004	Siehr et al. D7/692

* cited by examiner

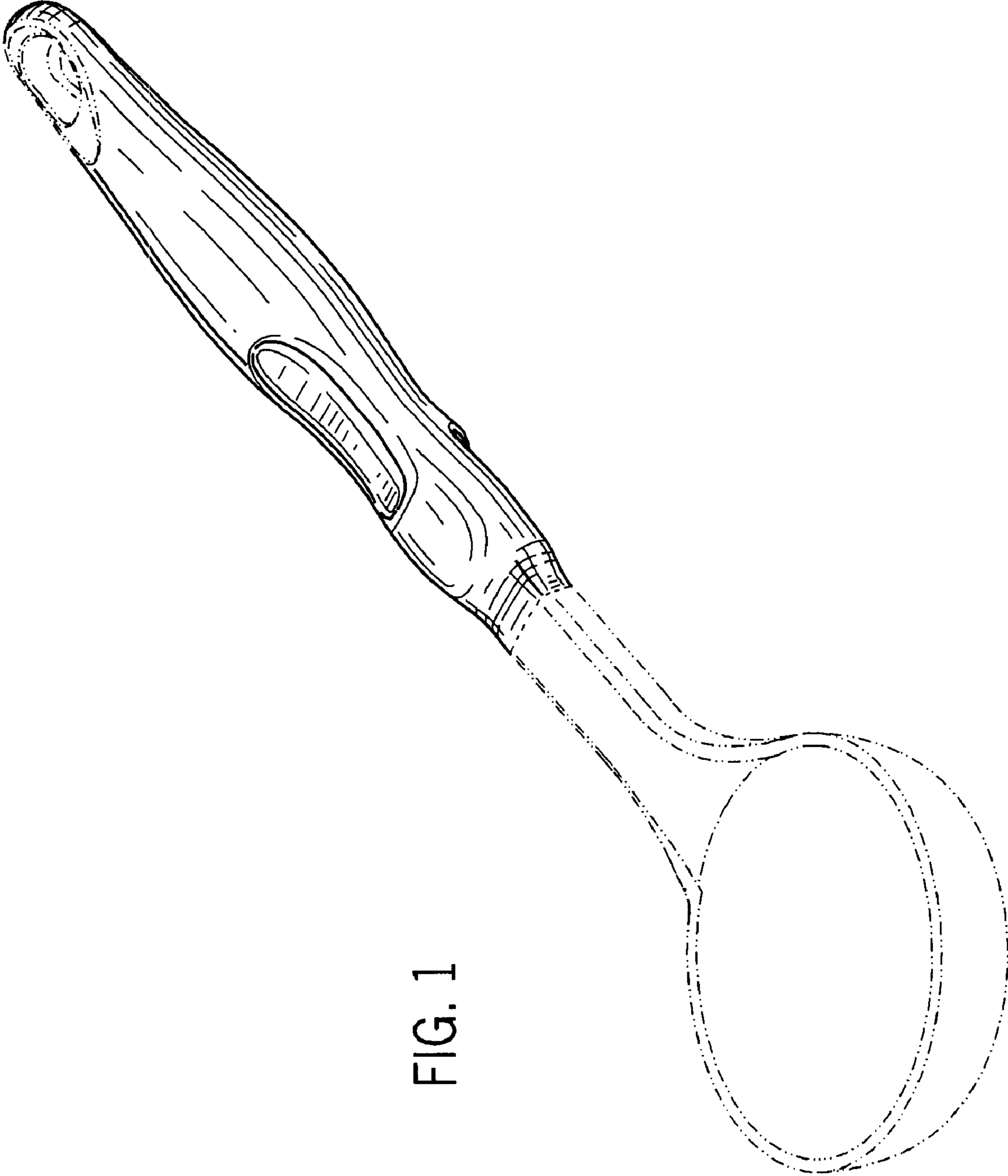


FIG. 1

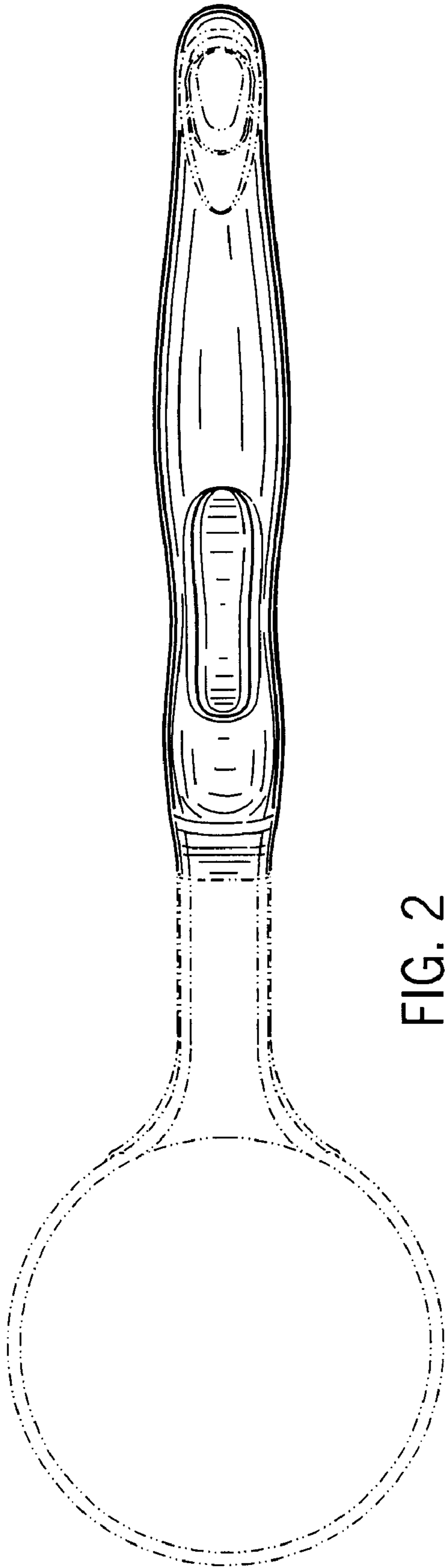


FIG. 2

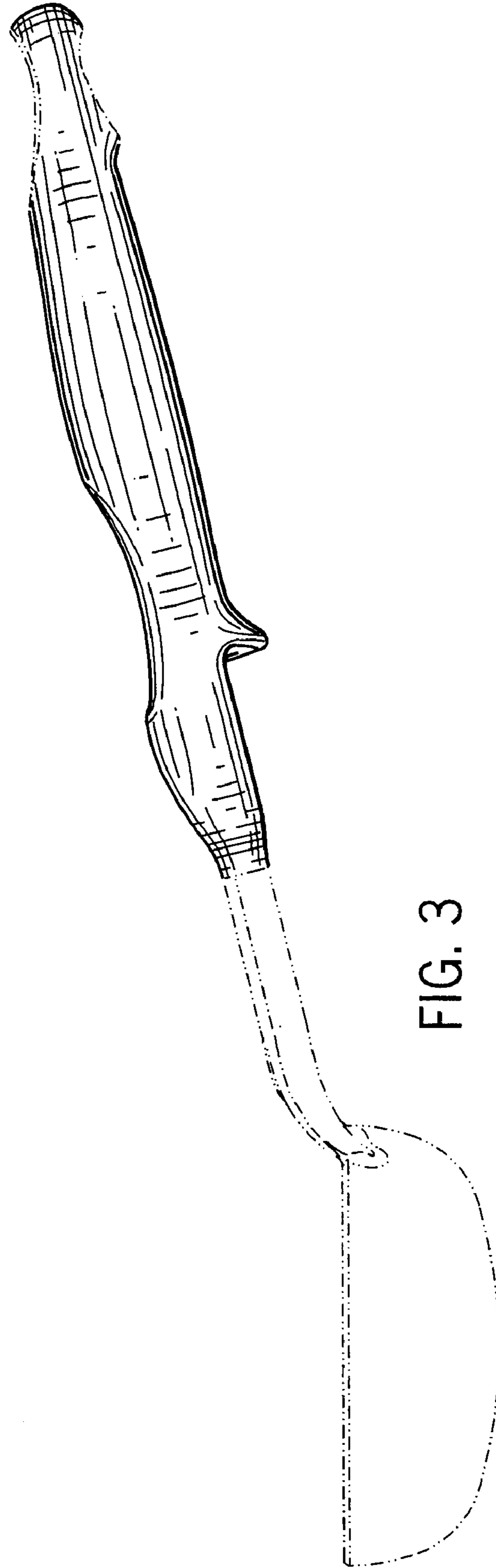


FIG. 3

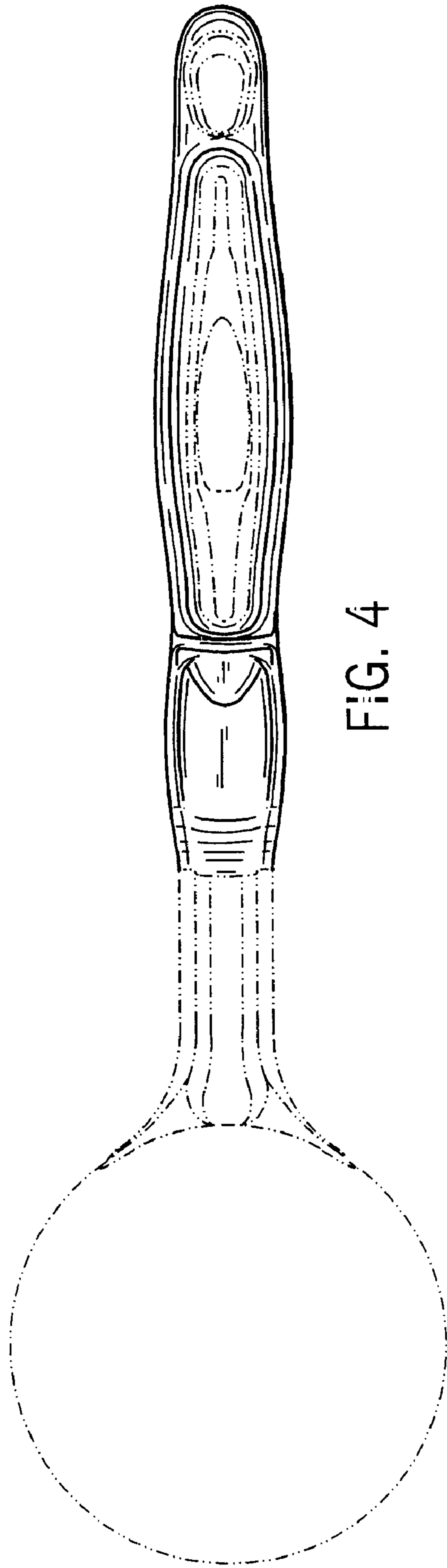


FIG. 4

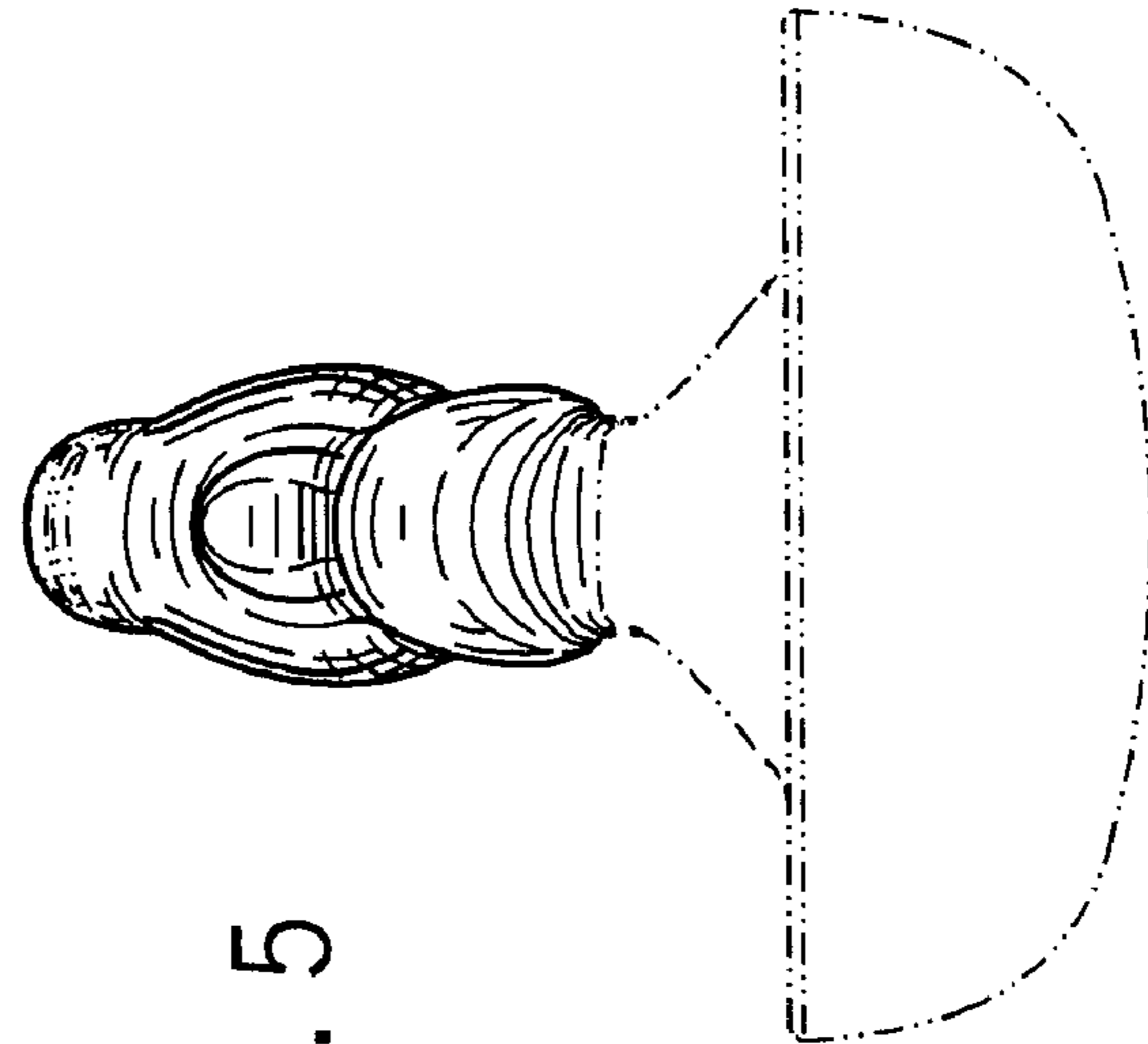


FIG. 5

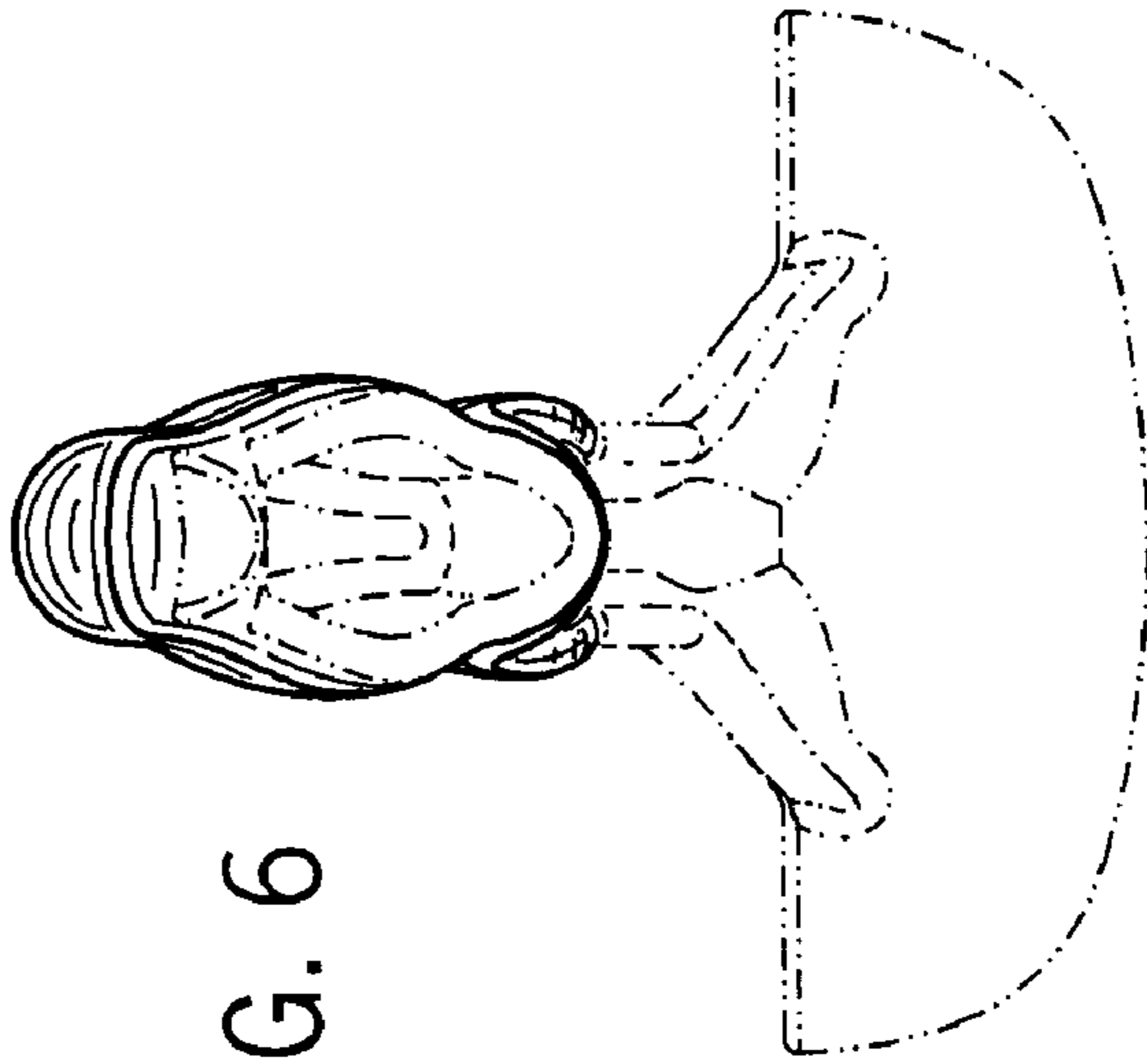


FIG. 6

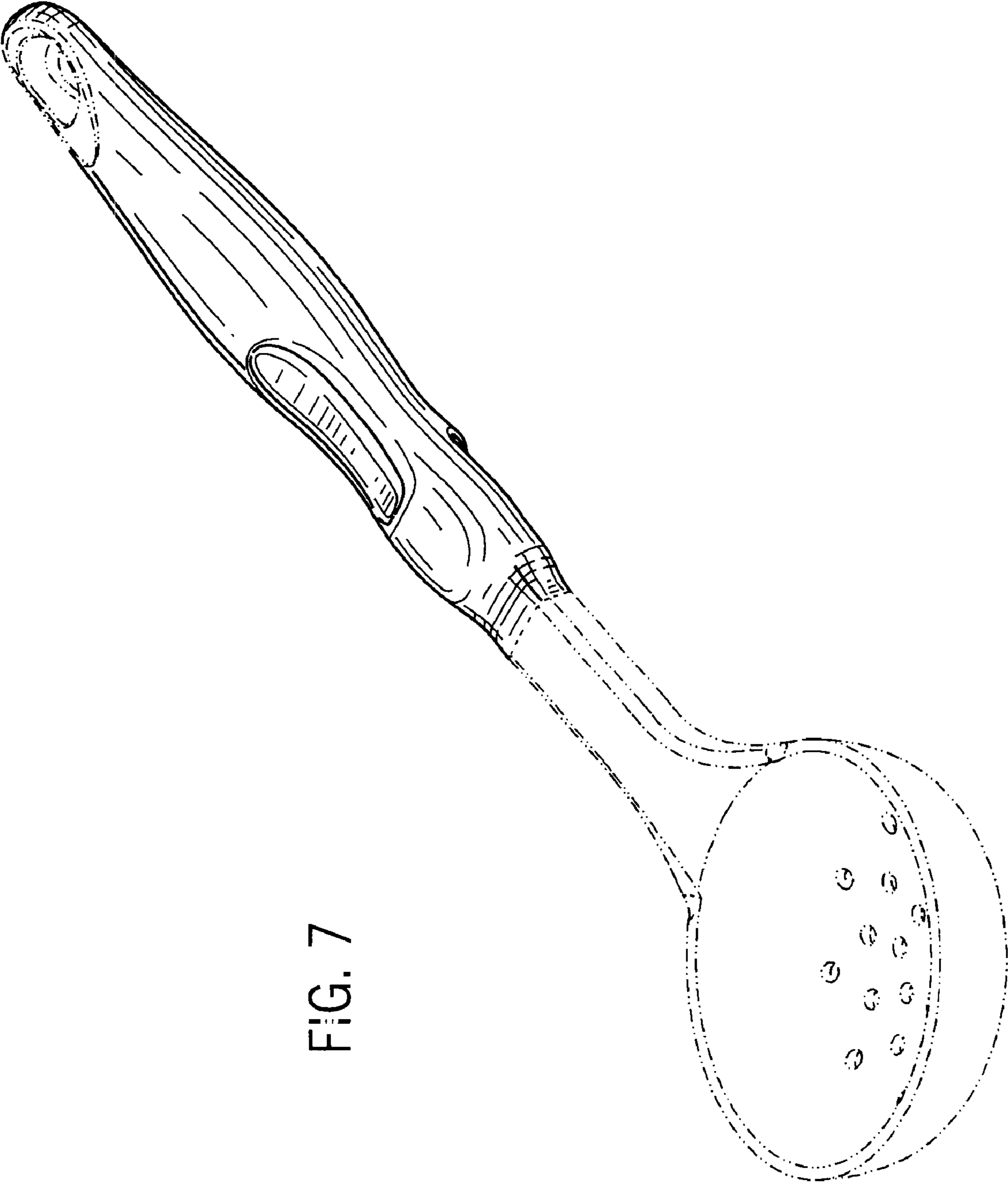


FIG. 7

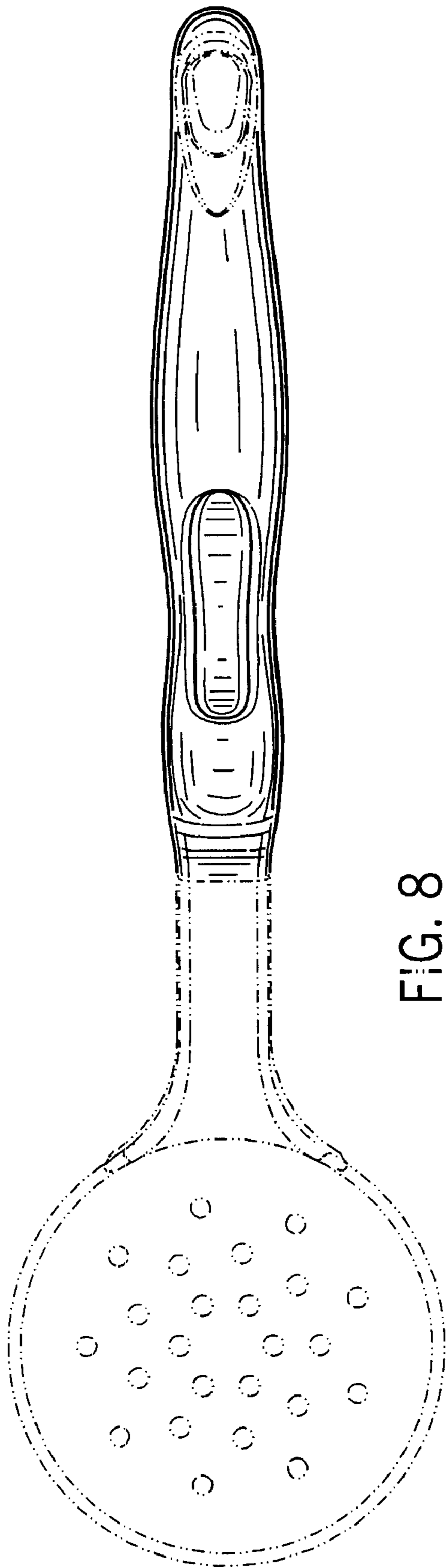


FIG. 8

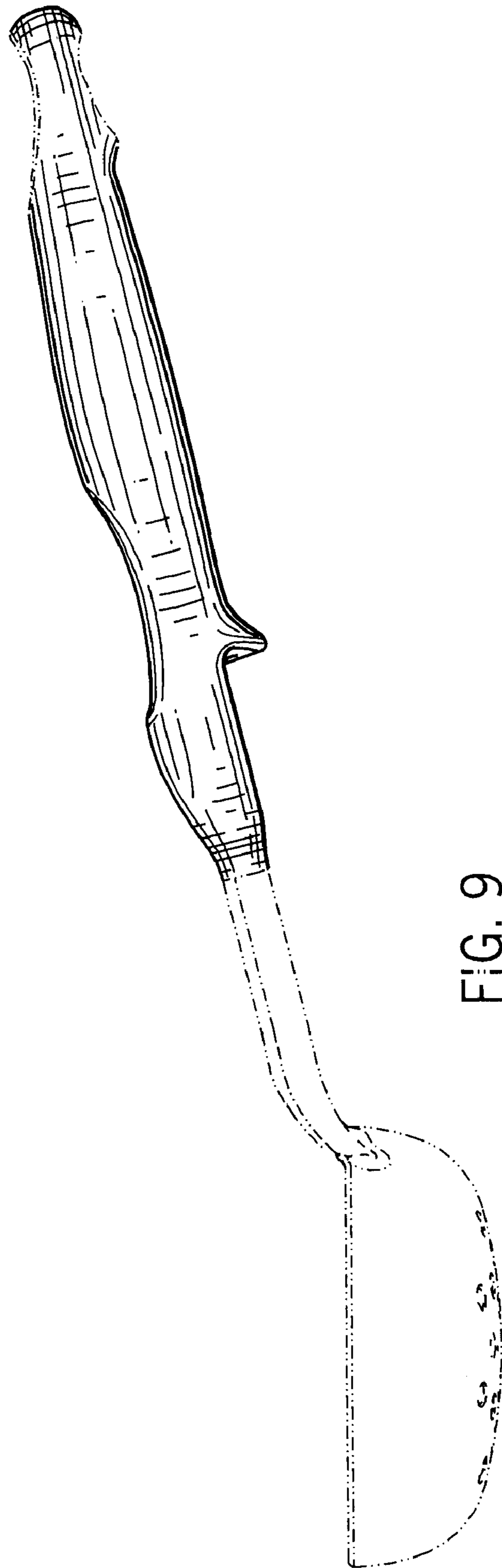


FIG. 9

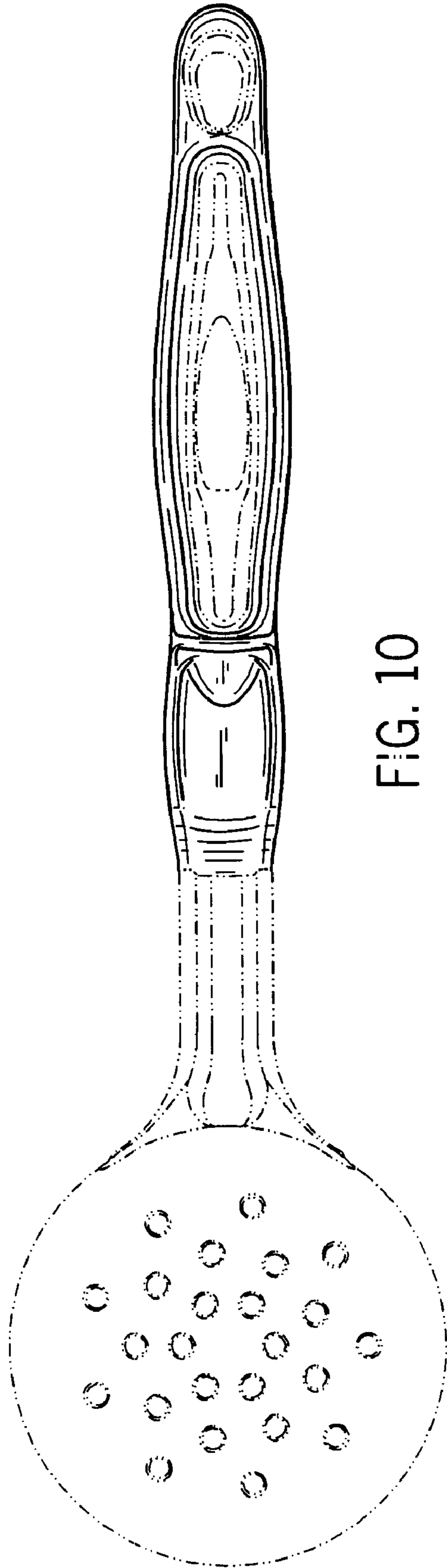


FIG. 10

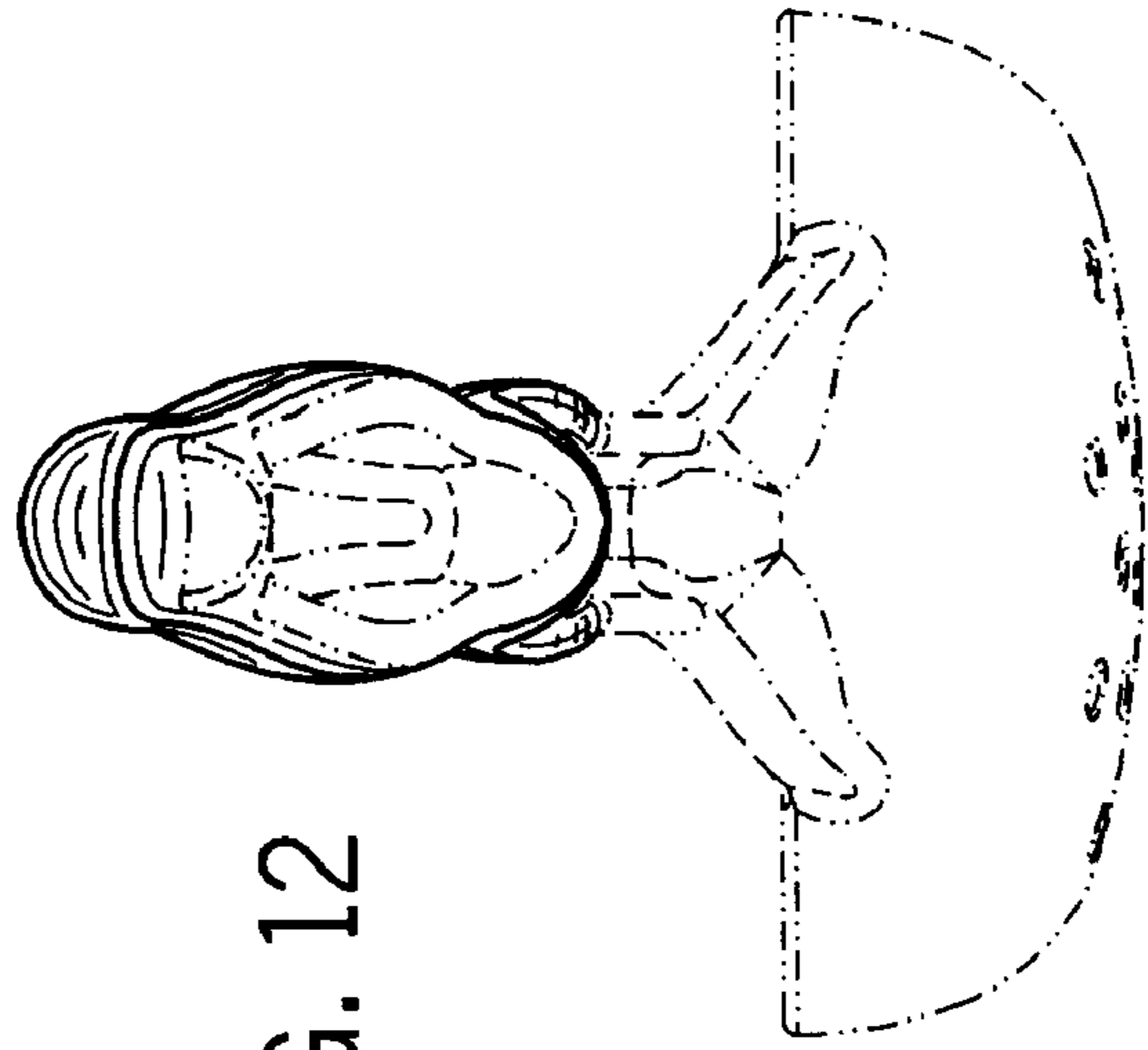


FIG. 12

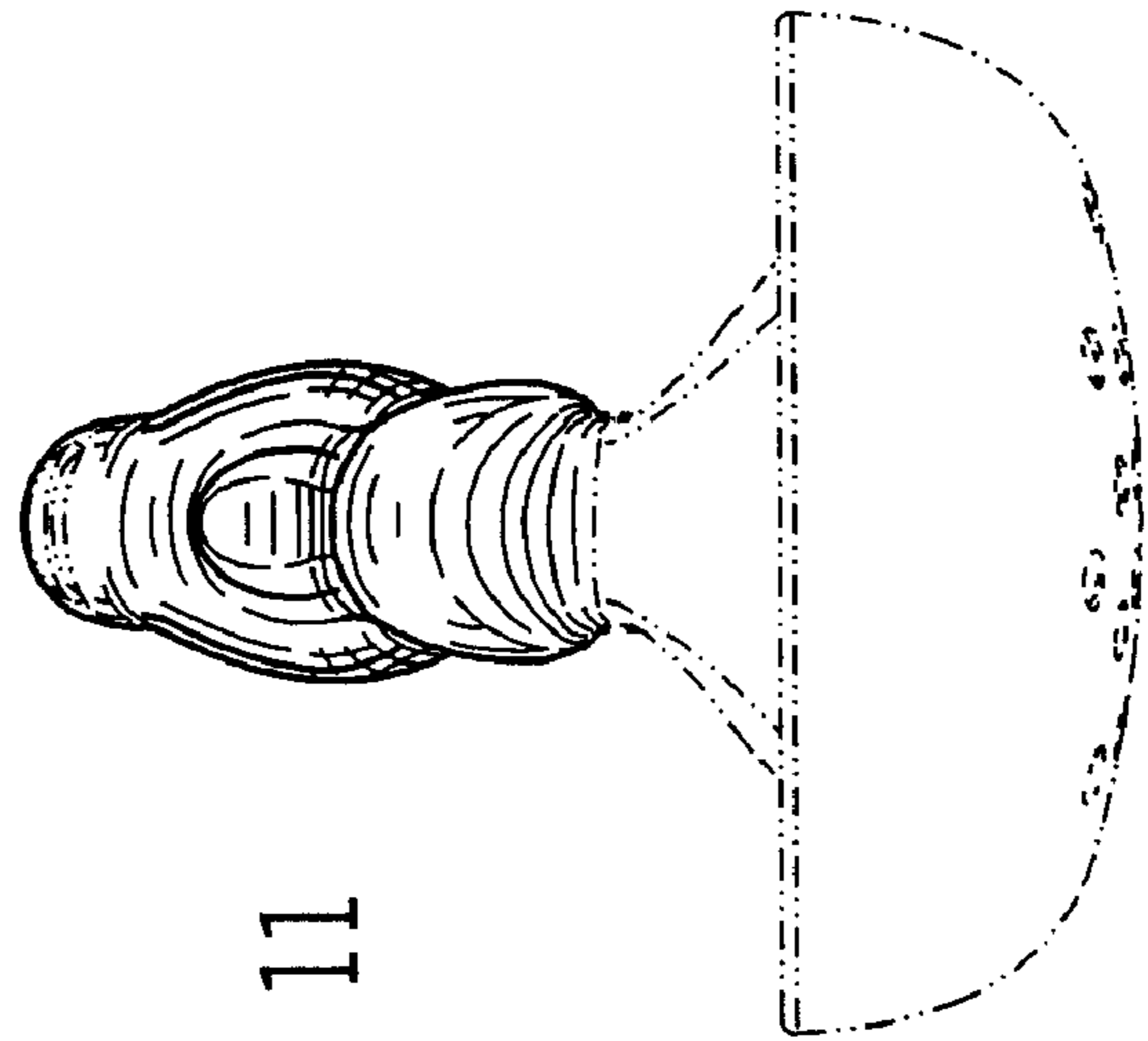


FIG. 11

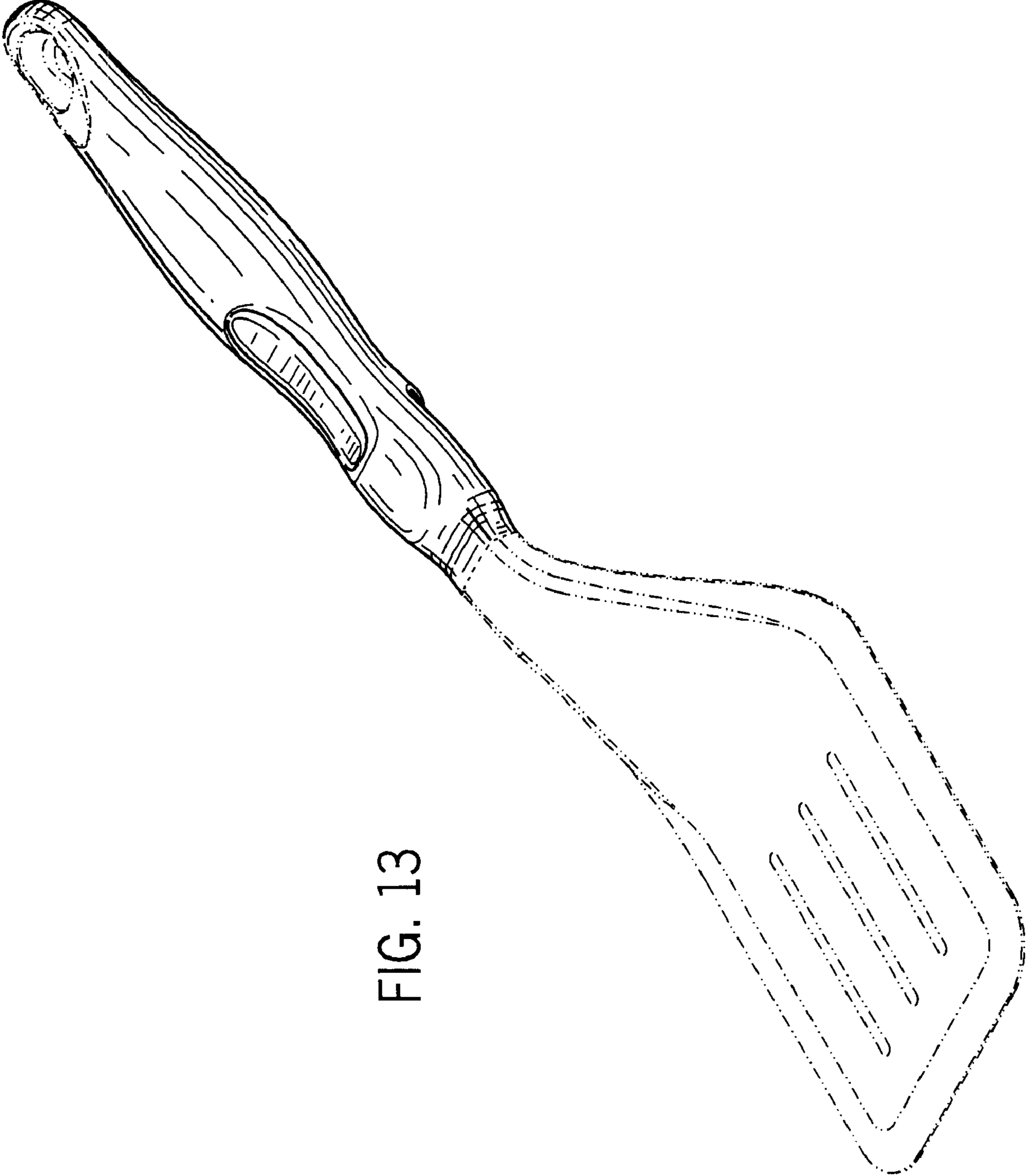


FIG. 13

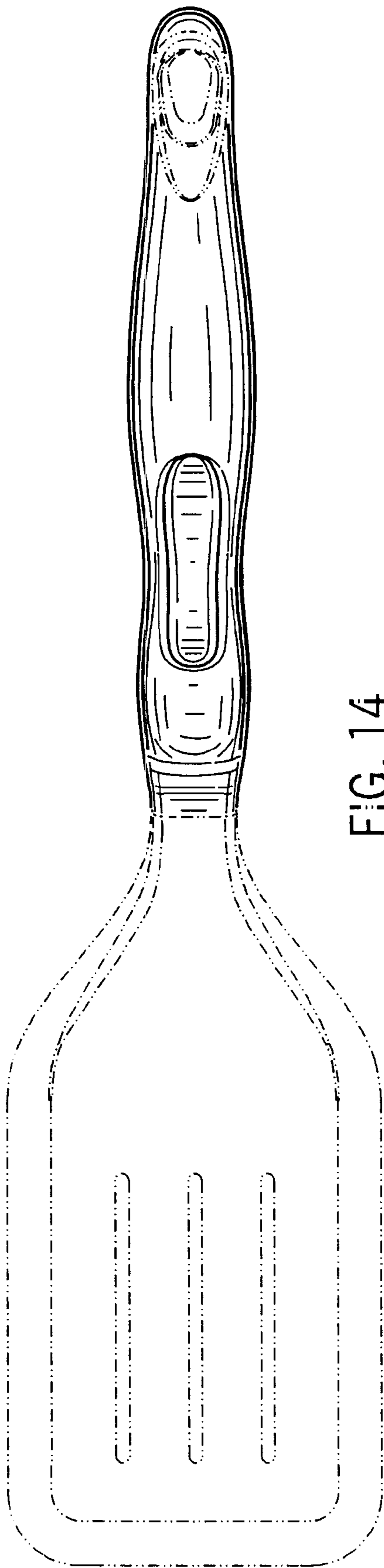


FIG. 14

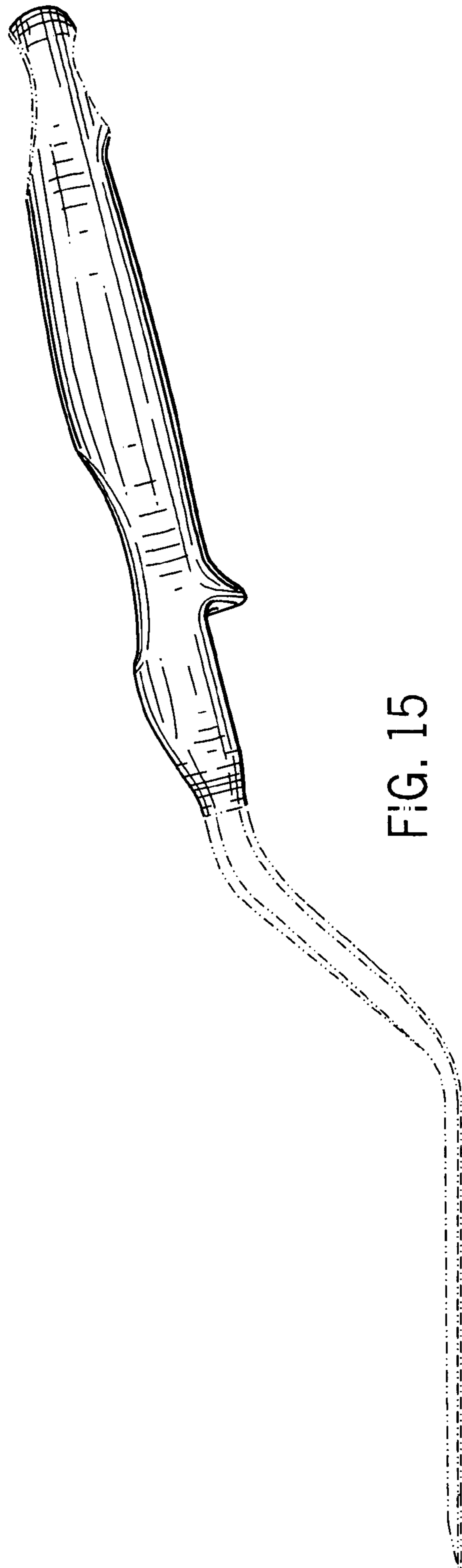


FIG. 15

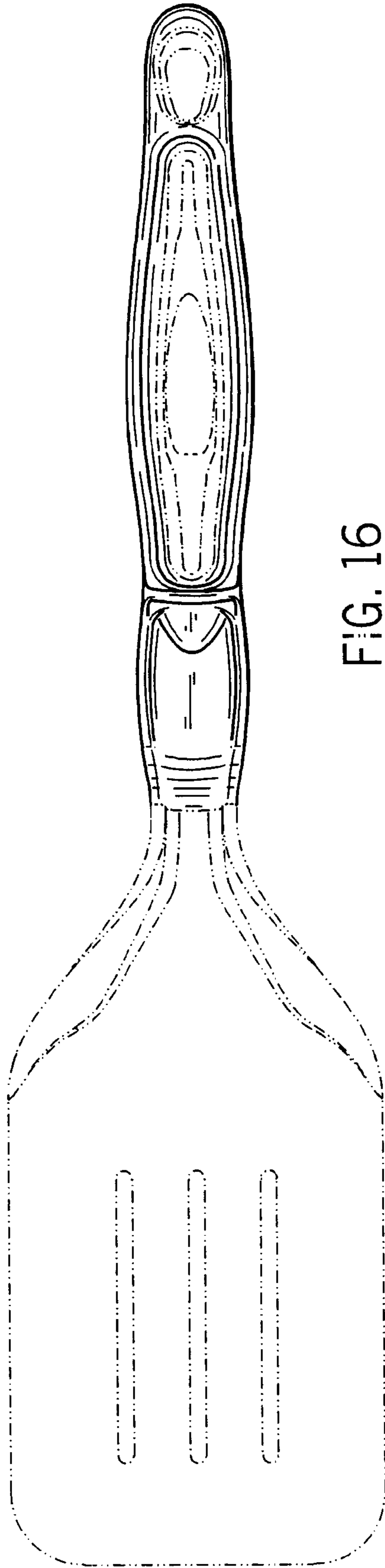


FIG. 16

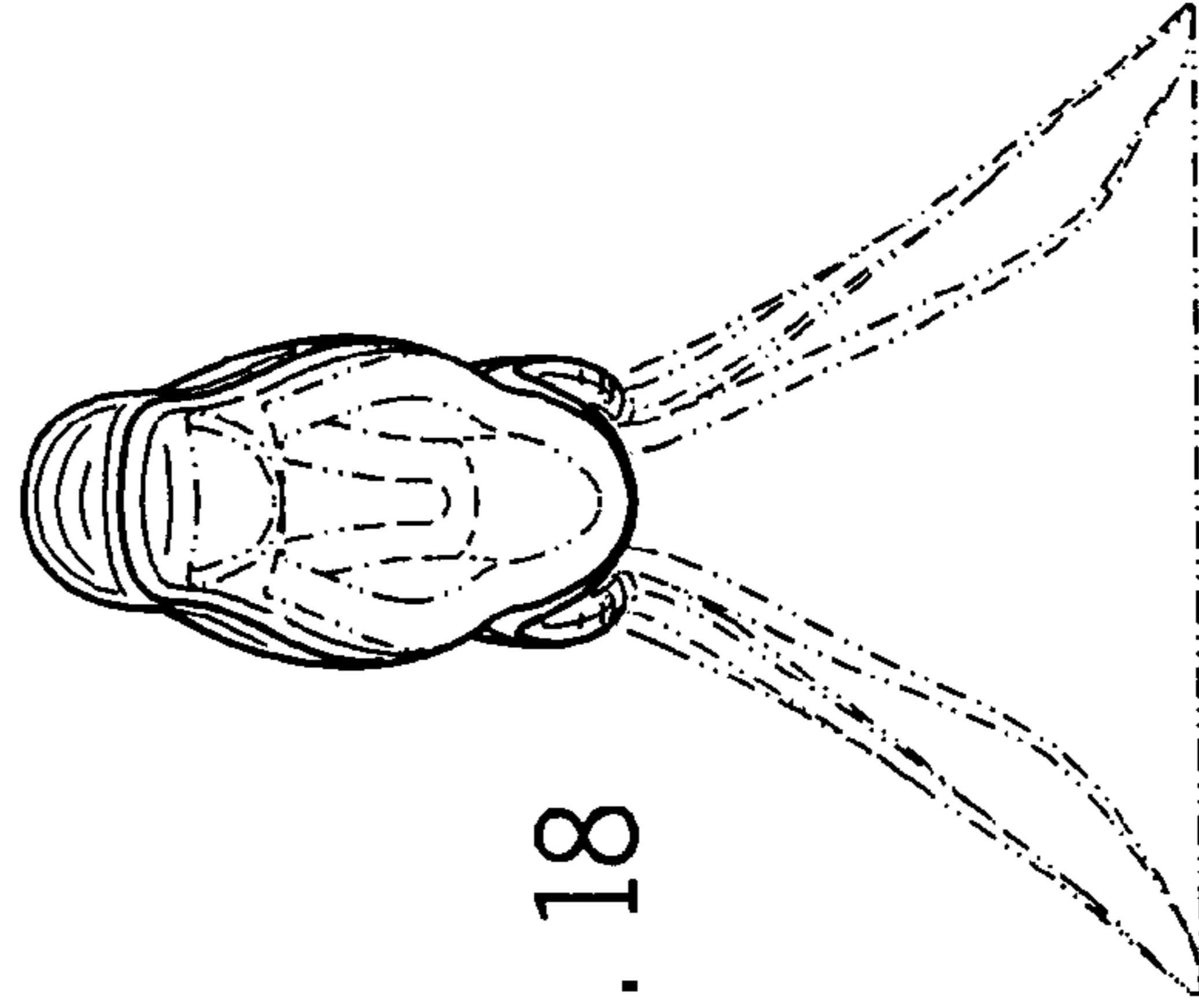


FIG. 18

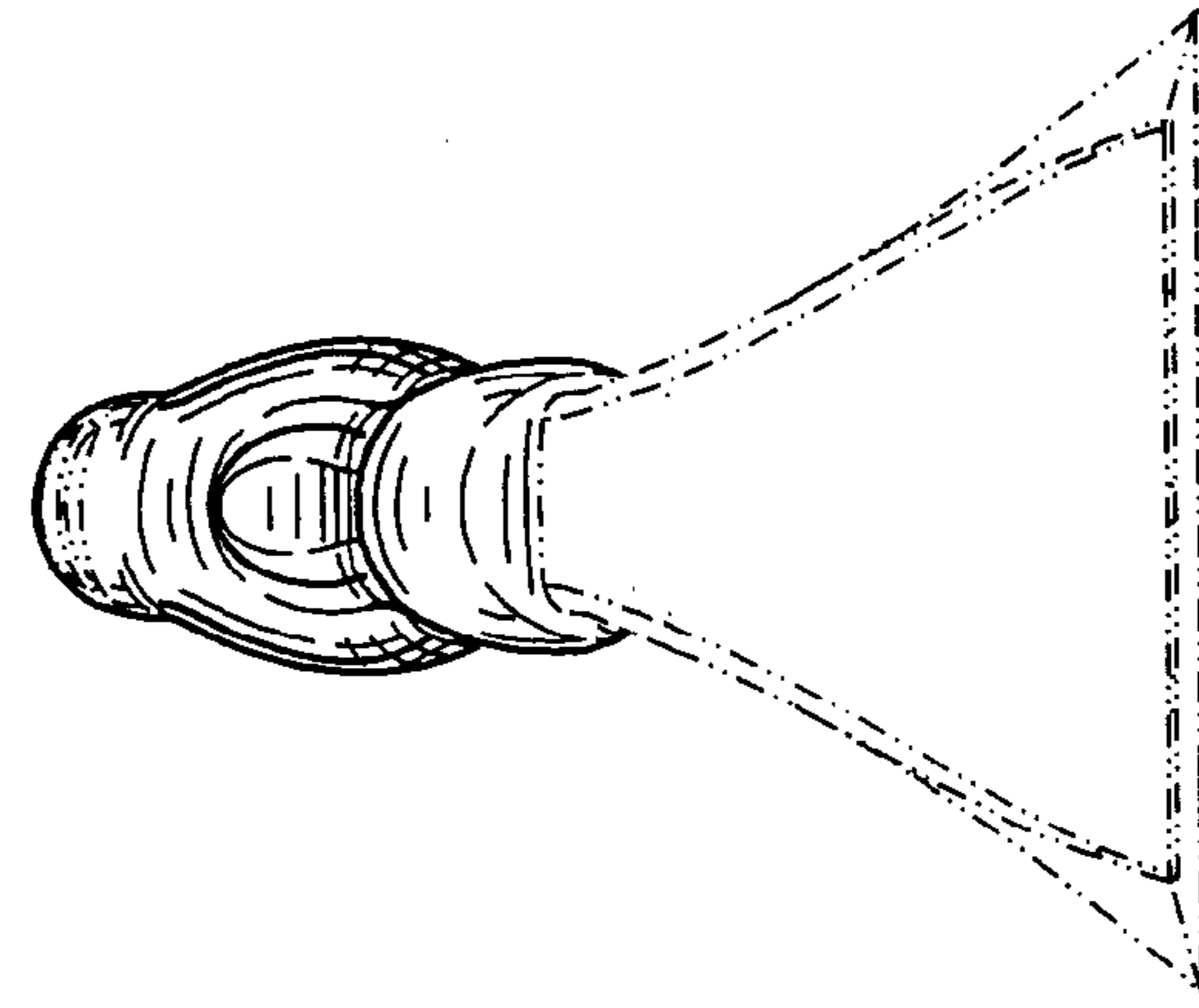


FIG. 17

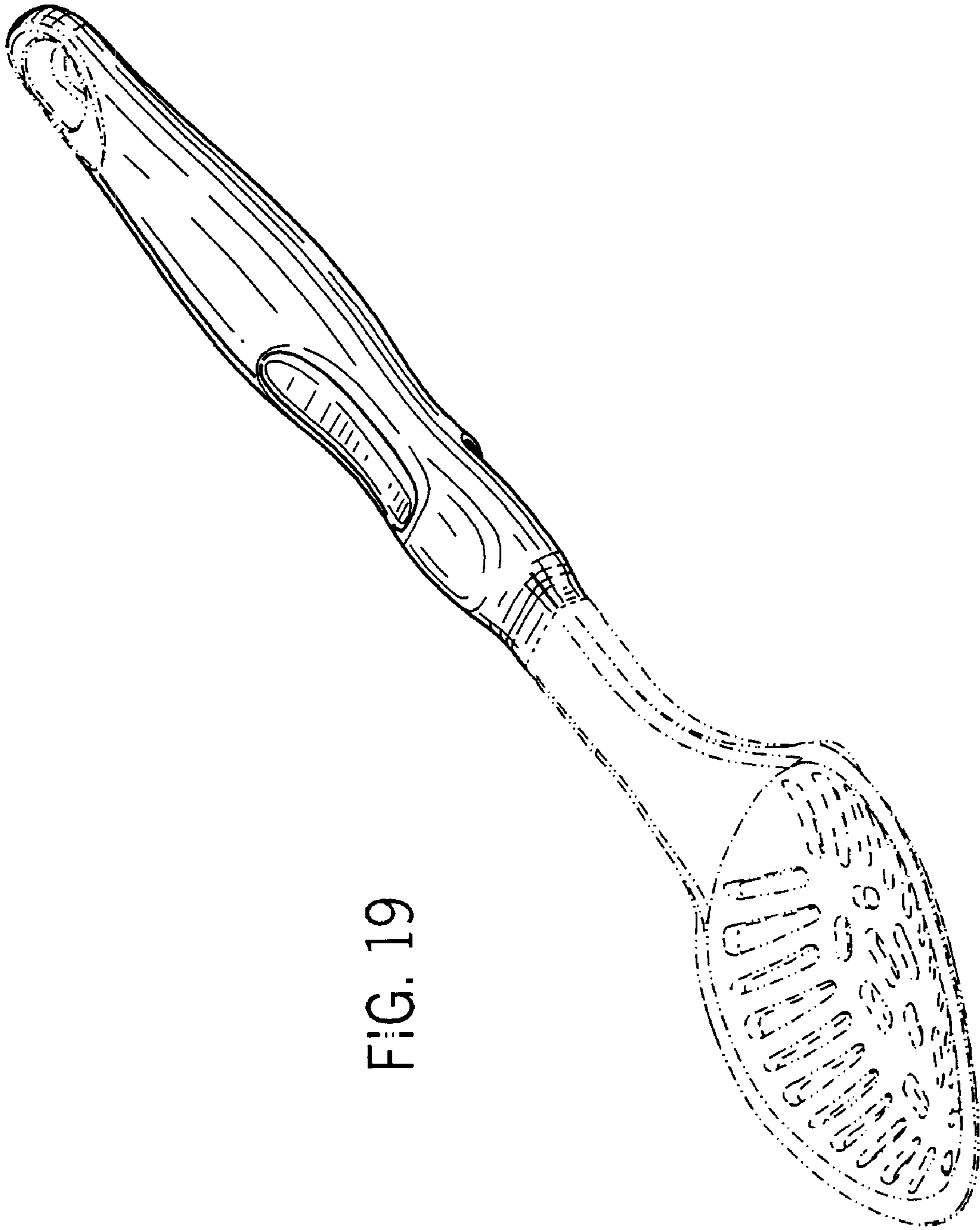


FIG. 19

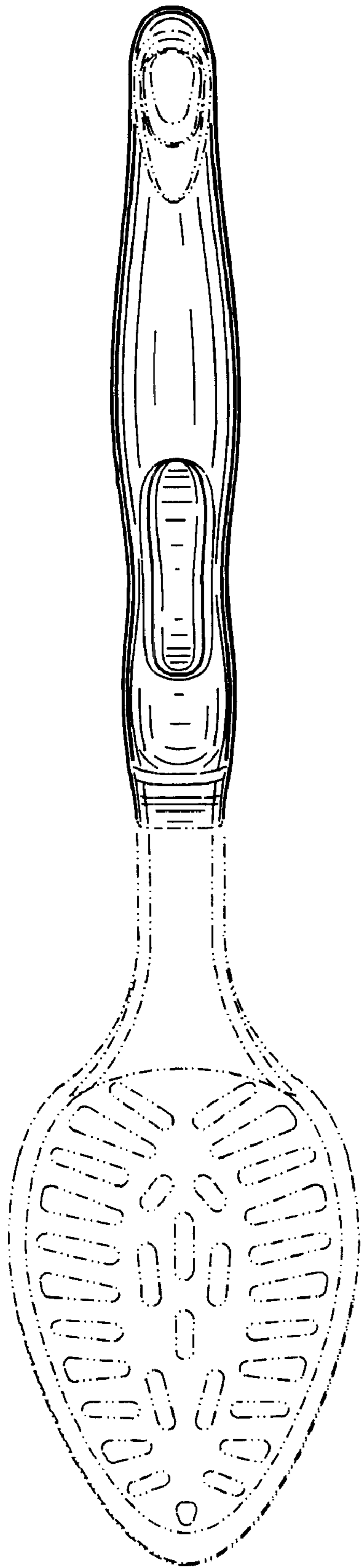


FIG. 20

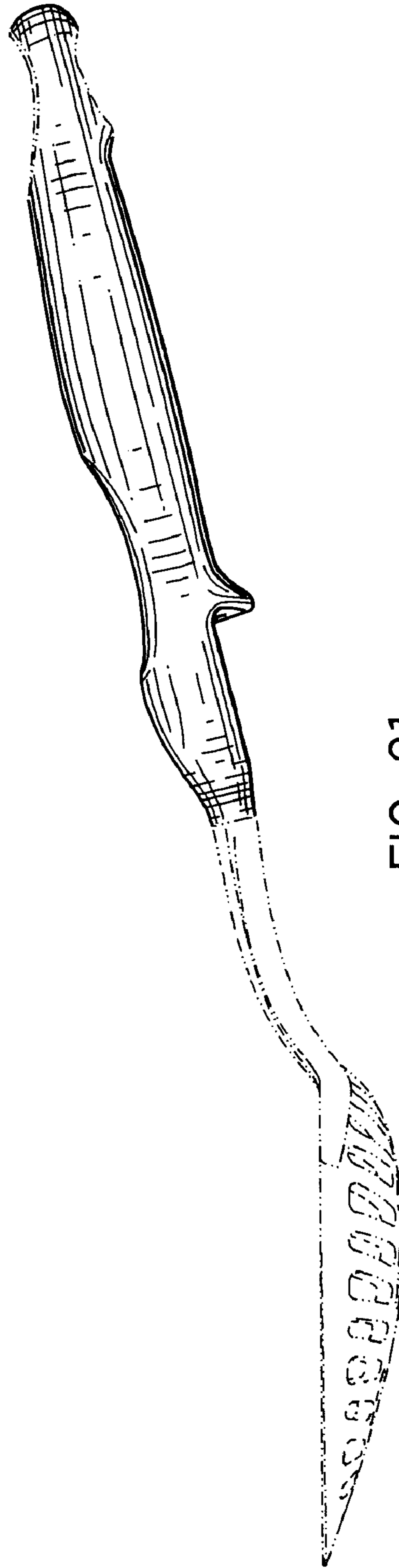


FIG. 21

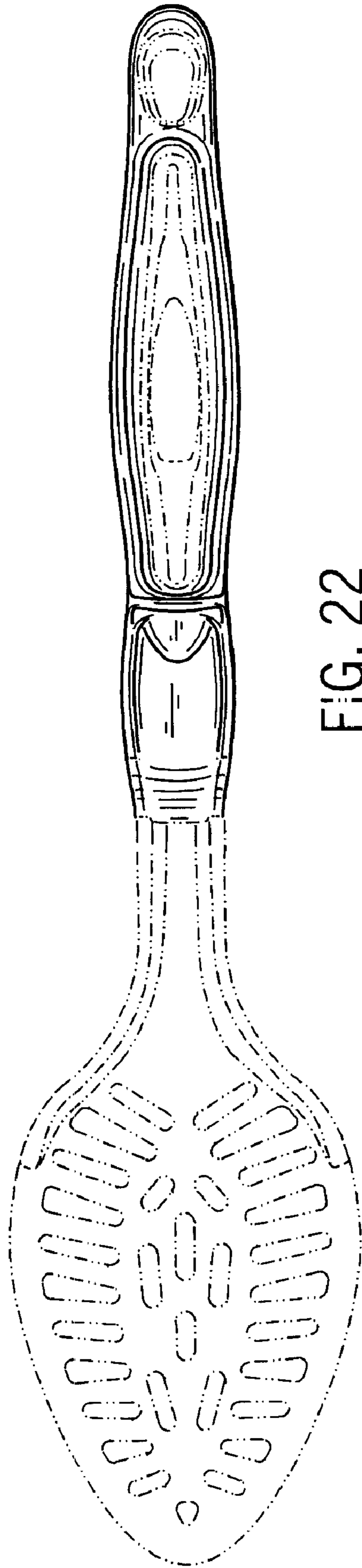


FIG. 22

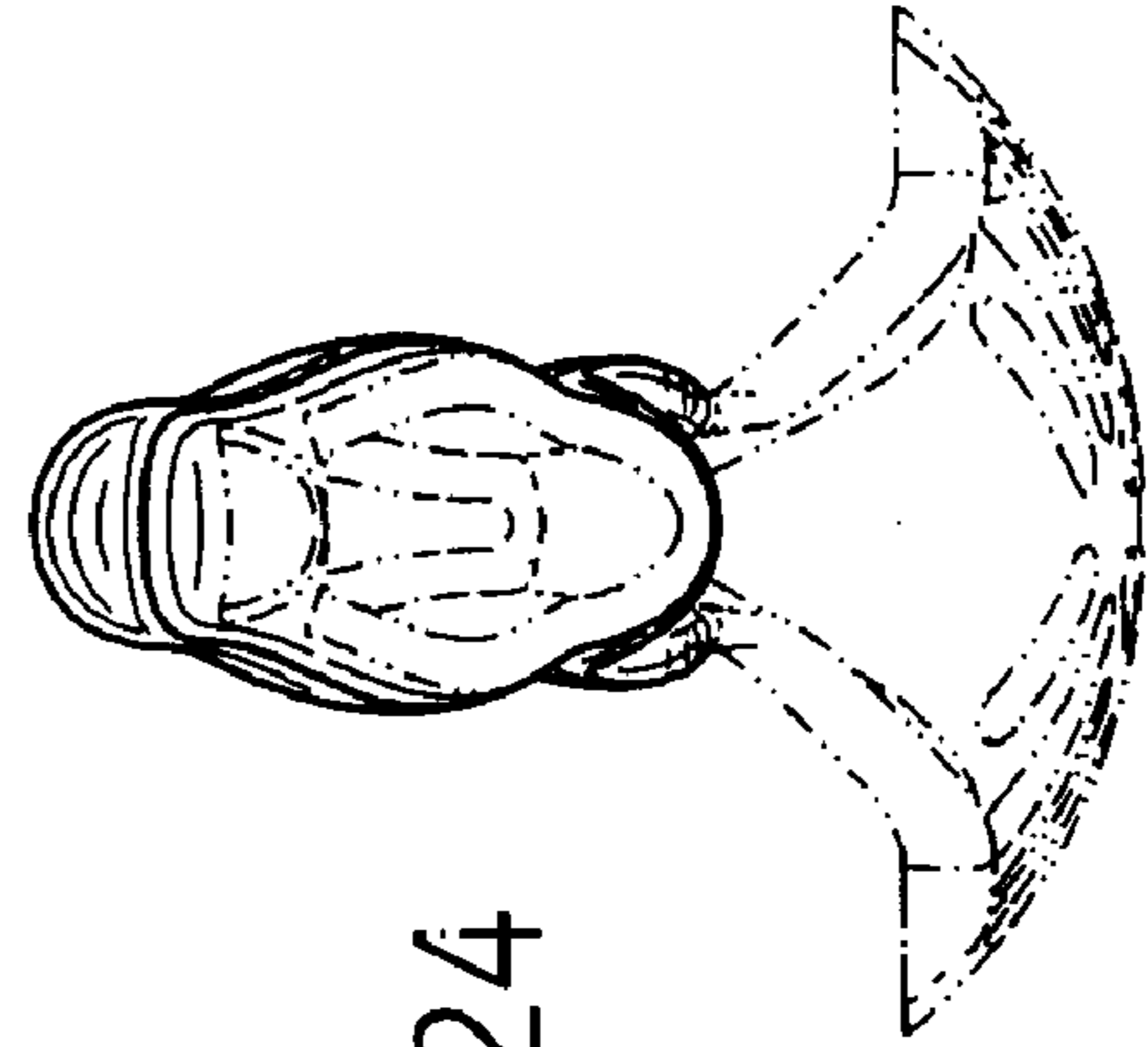


FIG. 24

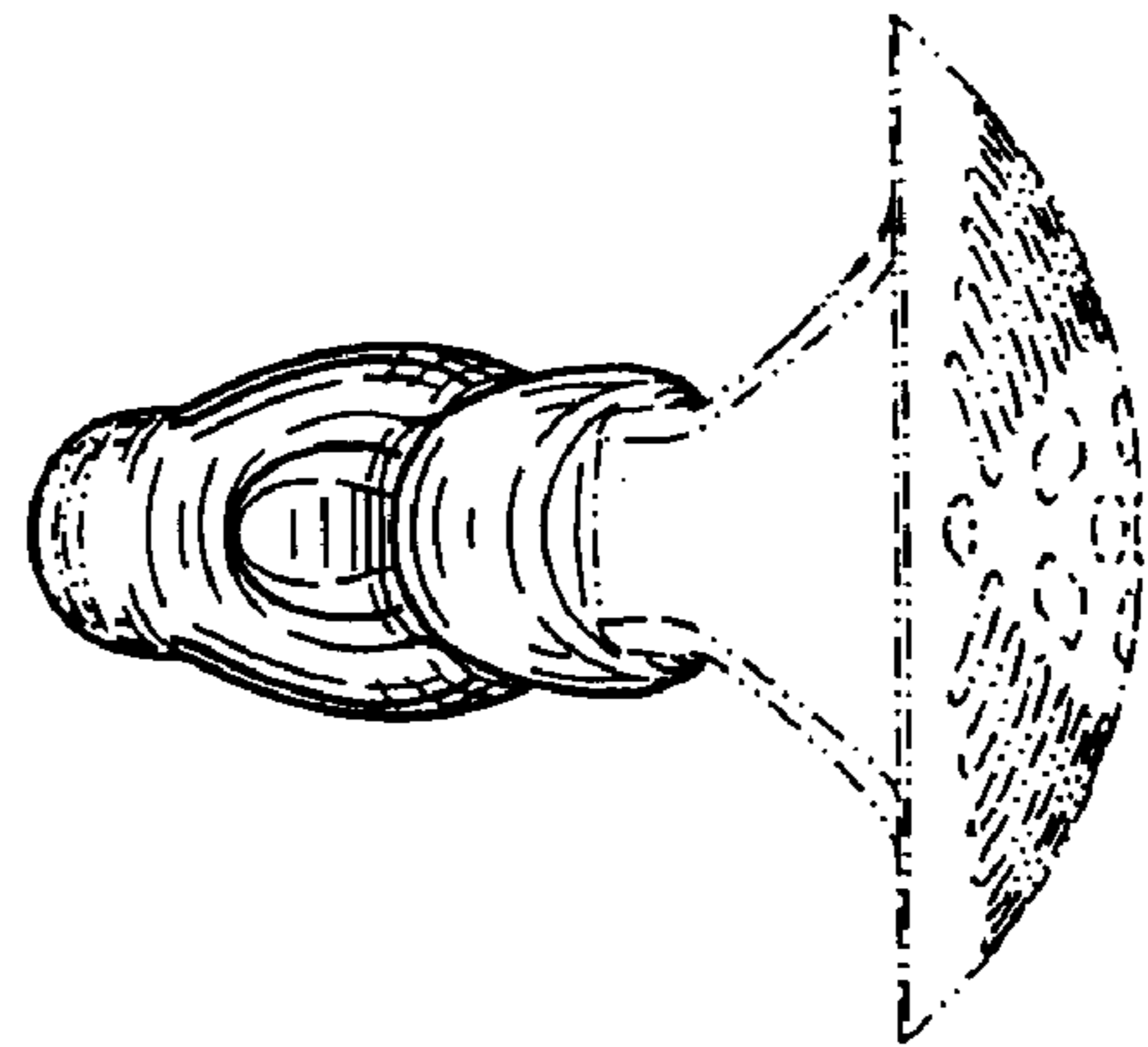


FIG. 23

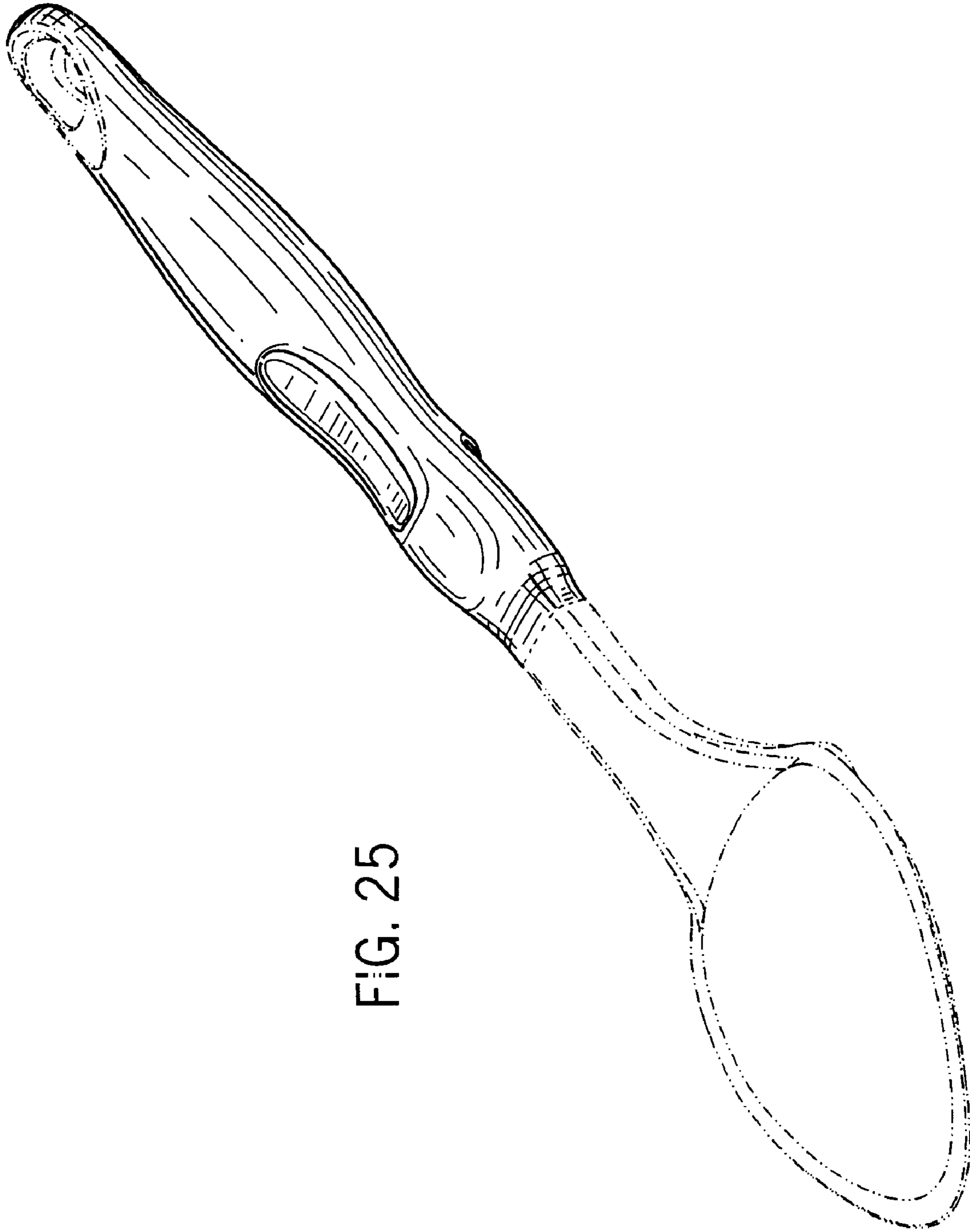


FIG. 25

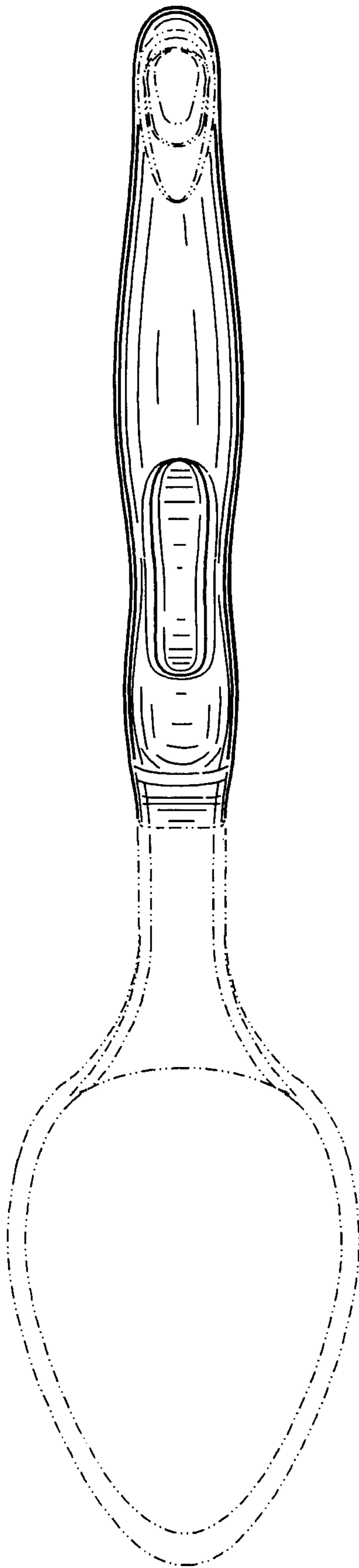


FIG. 26

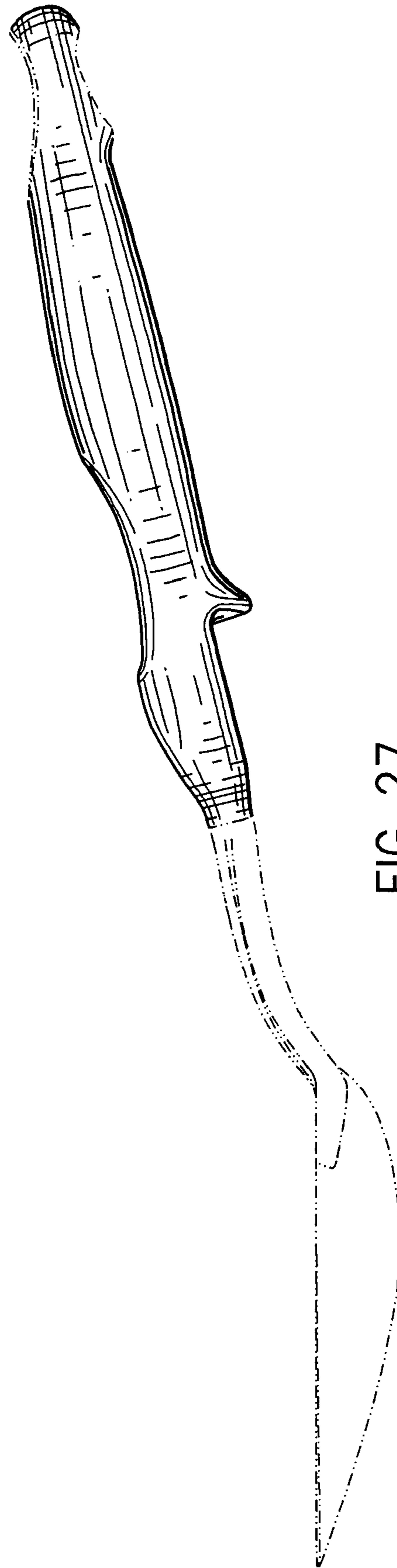


FIG. 27

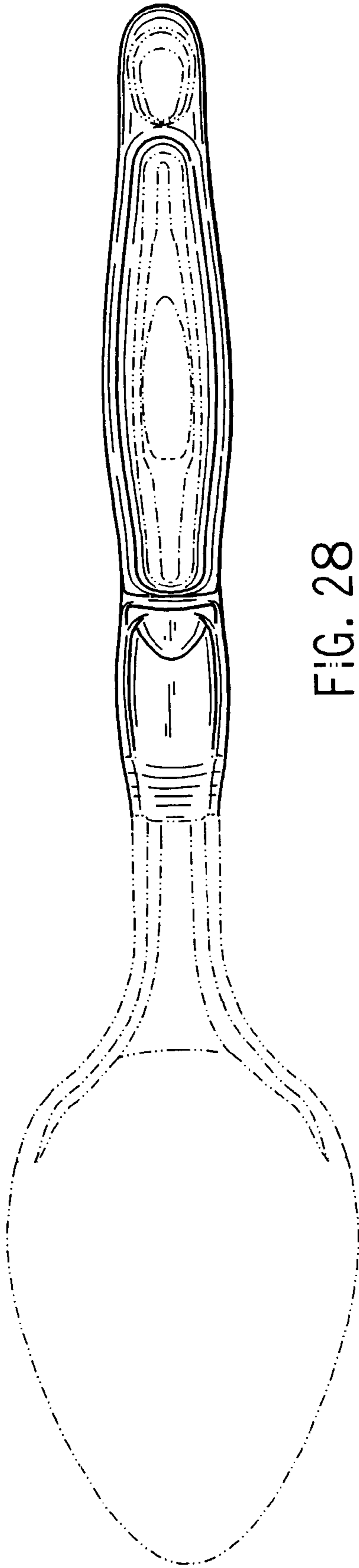


FIG. 28

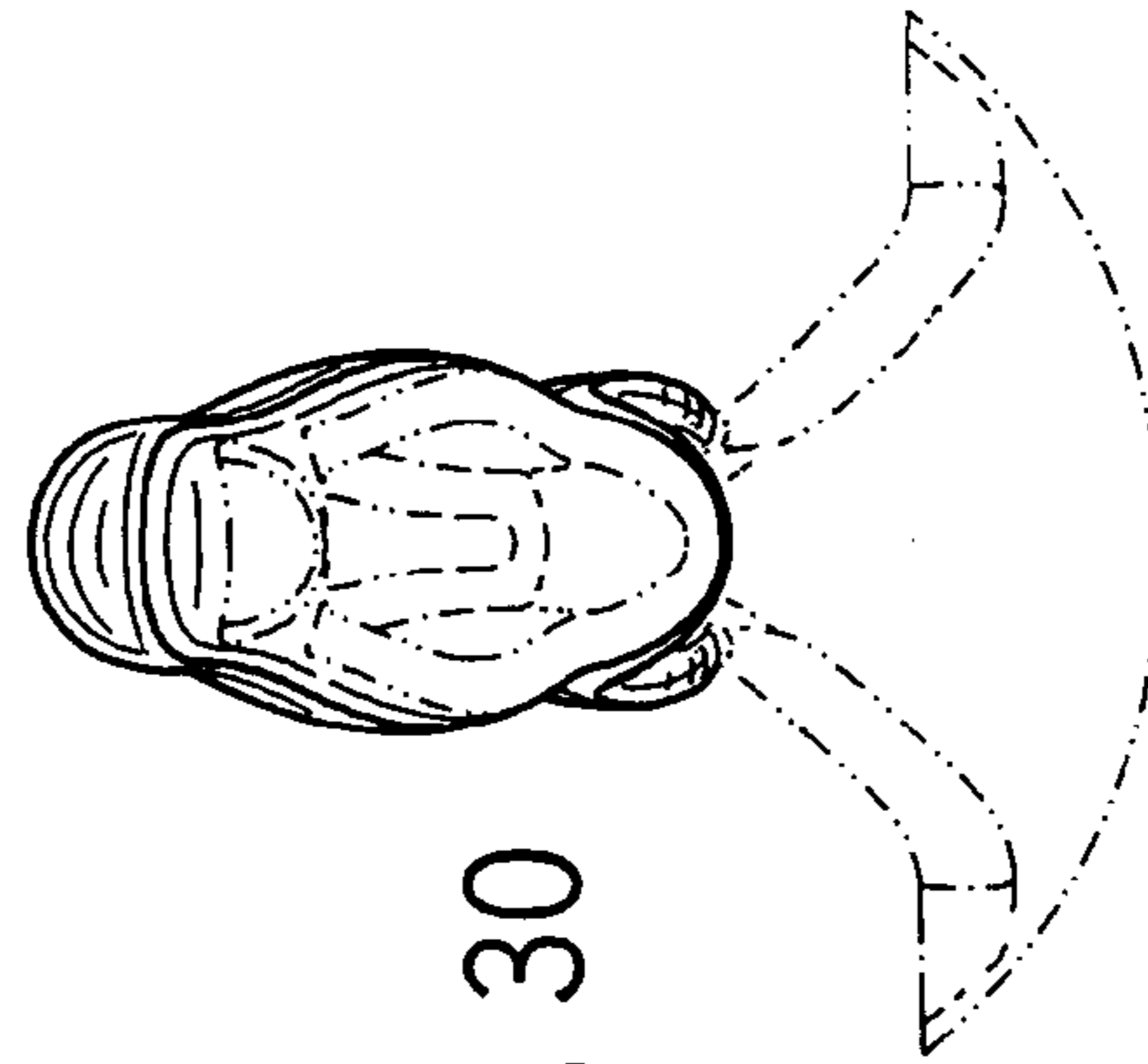


FIG. 30

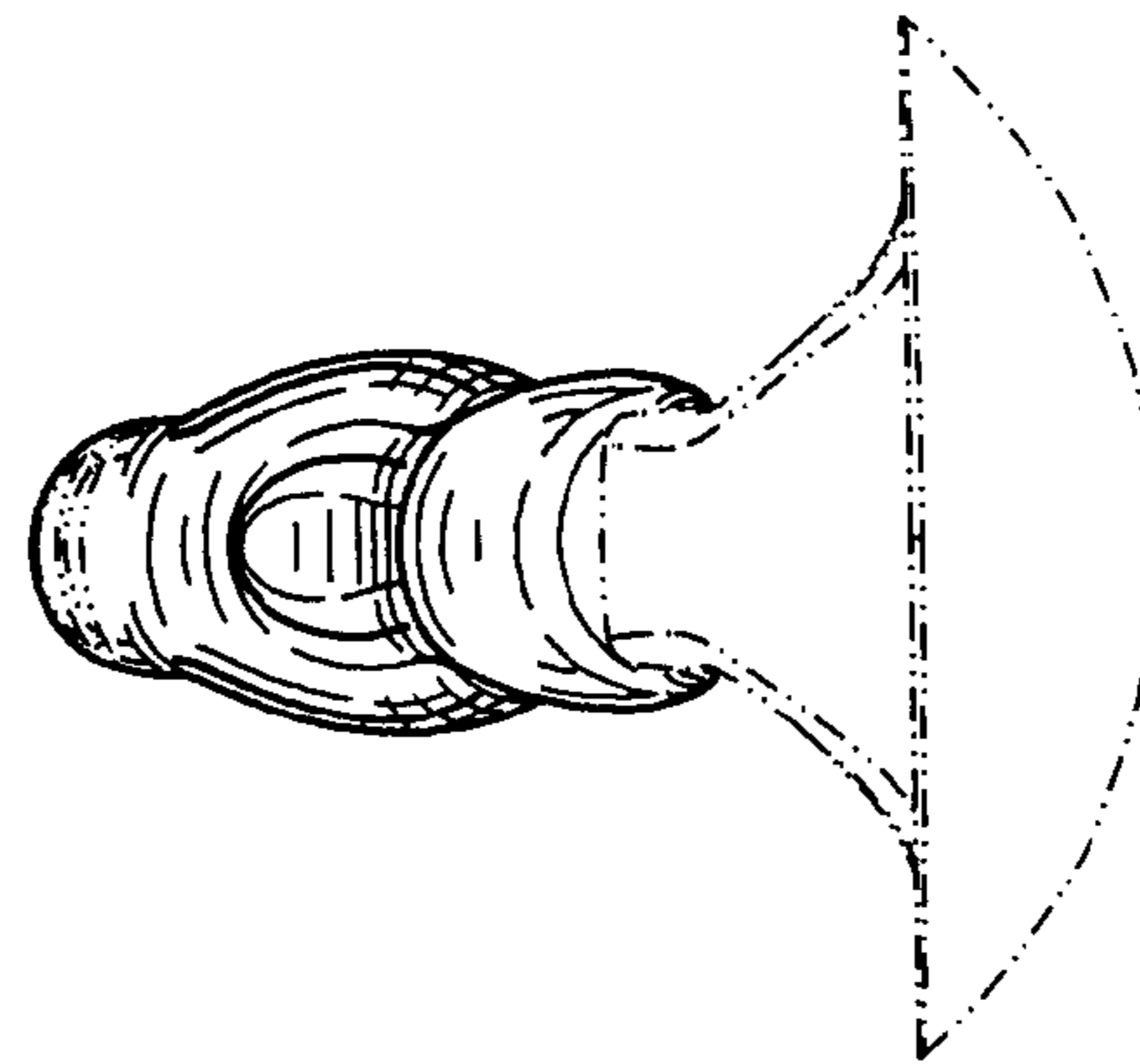


FIG. 29