



US00D520292S

(12) **United States Design Patent**
Oas

(10) **Patent No.:** **US D520,292 S**

(45) **Date of Patent:** **** May 9, 2006**

(54) **LIGHTED STRAW**

(75) Inventor: **Daniel Oas**, Irwindale, CA (US)

(73) Assignee: **Calibre International, LLC**, Irwindale, CA (US)

(**) Term: **14 Years**

(21) Appl. No.: **29/224,711**

(22) Filed: **Mar. 4, 2005**

(51) **LOC (8) Cl.** **07-06**

(52) **U.S. Cl.** **D7/300.2**

(58) **Field of Classification Search** D7/300.2;
D9/435, 436, 442, 447; D10/57; 366/129,
366/343, 142; D21/403; D6/403; 220/592.25;
239/33, 16, 24; 229/103.1; D8/65; 374/124,
374/151; D26/51; 362/109, 118-120; 401/195
See application file for complete search history.

(56) **References Cited**

U.S. PATENT DOCUMENTS

| | | | | | | |
|-----------|---|---|---------|----------------|-------|-----------|
| 2,279,396 | A | * | 4/1942 | Hanson, Jr. | | 239/33 |
| D286,375 | S | * | 10/1986 | Taub | | D7/300.2 |
| 4,924,444 | A | * | 5/1990 | Castellanos | | 366/343 |
| D317,543 | S | * | 6/1991 | Small | | D7/300.2 |
| D332,198 | S | * | 1/1993 | Goodman, Jr. | | D7/300.2 |
| D332,548 | S | * | 1/1993 | Mayatt | | D7/300.2 |
| D332,807 | S | * | 1/1993 | Neuroth et al. | | D21/402 |
| 5,201,460 | A | * | 4/1993 | Caines | | 229/103.1 |
| 5,568,973 | A | * | 10/1996 | Gorab | | 366/129 |
| D385,466 | S | * | 10/1997 | Bellomo | | D7/300.2 |

| | | | | | | |
|-----------|----|---|---------|------------------|-------|------------|
| D402,847 | S | * | 12/1998 | Kinder | | D7/300.2 |
| D430,447 | S | * | 9/2000 | Thuma | | D7/300.2 |
| 6,129,473 | A | * | 10/2000 | Shu | | 401/195 |
| 6,135,606 | A | * | 10/2000 | Fernandez et al. | | 362/109 |
| D442,337 | S | * | 5/2001 | Ho | | D28/65 |
| 6,234,341 | B1 | * | 5/2001 | Tattam | | 220/592.25 |
| 6,305,832 | B1 | * | 10/2001 | Huang | | 366/129 |
| 6,471,391 | B1 | * | 10/2002 | Opitz | | 366/129 |
| D466,830 | S | * | 12/2002 | Gunn | | D6/403 |
| D488,727 | S | * | 4/2004 | Wong et al. | | D10/57 |
| D491,079 | S | * | 6/2004 | Lim | | D10/57 |

* cited by examiner

Primary Examiner—Holly Baynham

Assistant Examiner—Cynthia M. Chin

(74) *Attorney, Agent, or Firm*—The Soni Law Firm

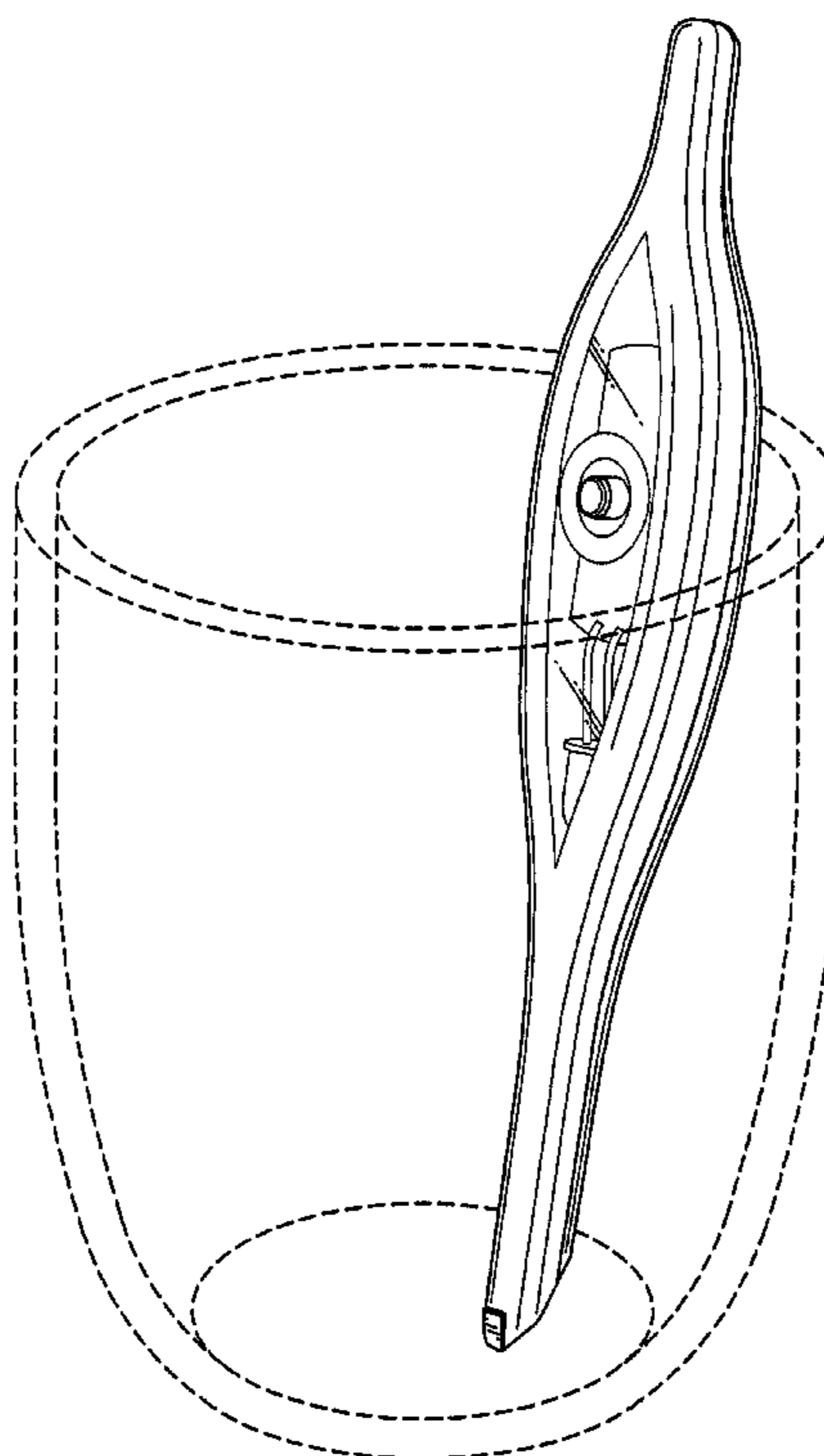
(57) **CLAIM**

The ornamental design for a lighted straw, as shown and described.

DESCRIPTION

FIG. 1 is a top front perspective view of a lighted straw; FIG. 2 is a front view of the lighted straw of FIG. 1; FIG. 3 is a right side elevation view of the lighted straw of FIG. 1; FIG. 4 is a rear view of the lighted straw of FIG. 1; FIG. 5 is a bottom view of the lighted straw of FIG. 1; and, FIG. 6 is a top view of the lighted straw of FIG. 1. The broken line showing of a glass in FIG. 1 is for illustrative purposes only and forms no part of the claimed design.

1 Claim, 3 Drawing Sheets



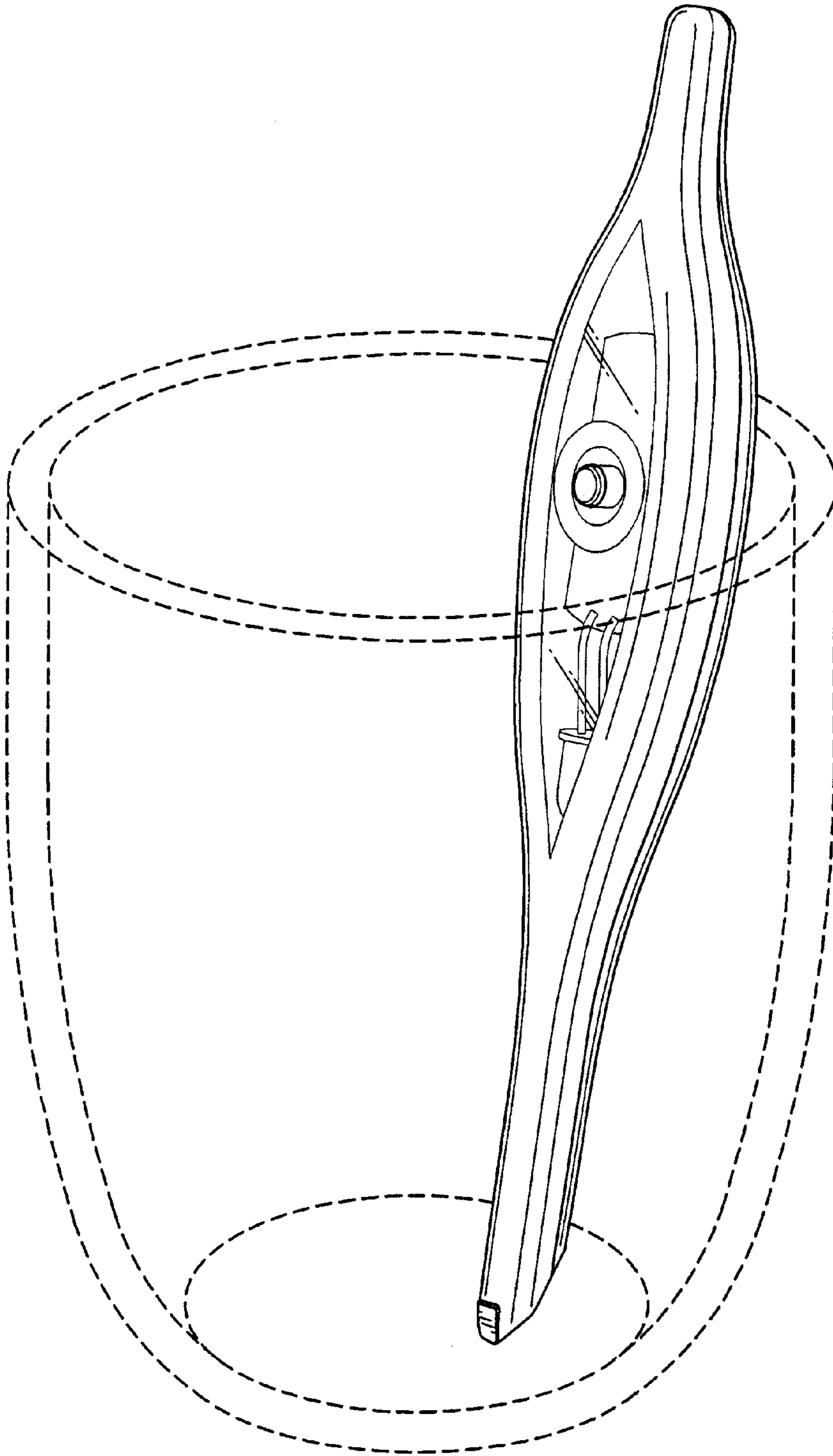


FIG. 1

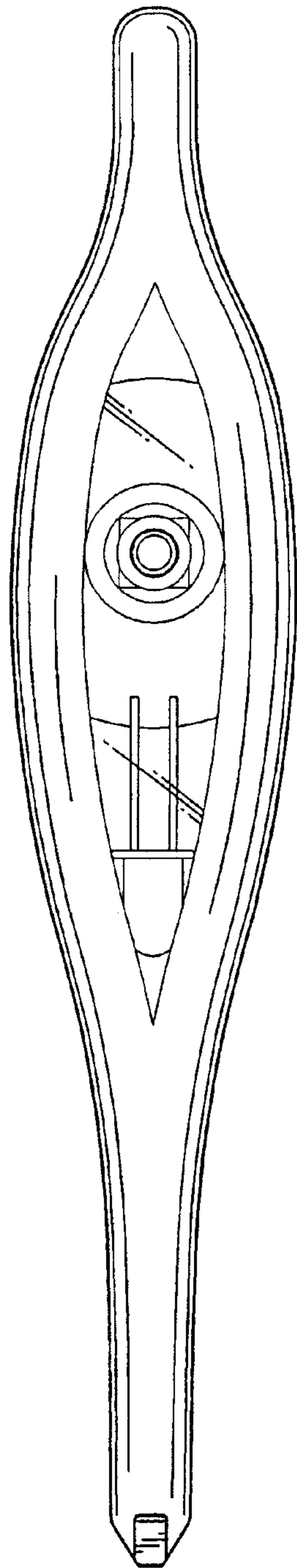


FIG. 2

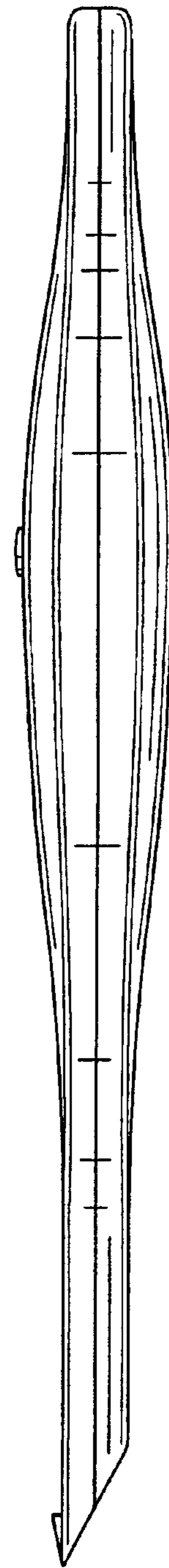


FIG. 3

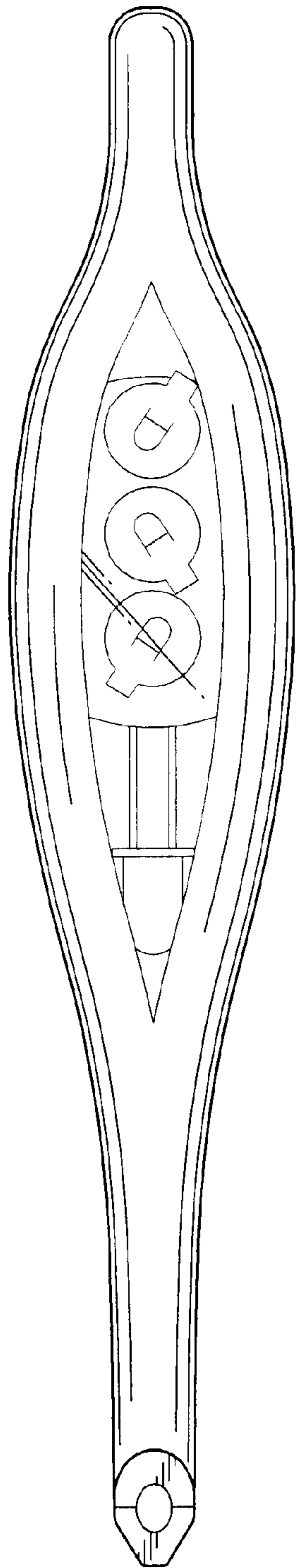


FIG. 4

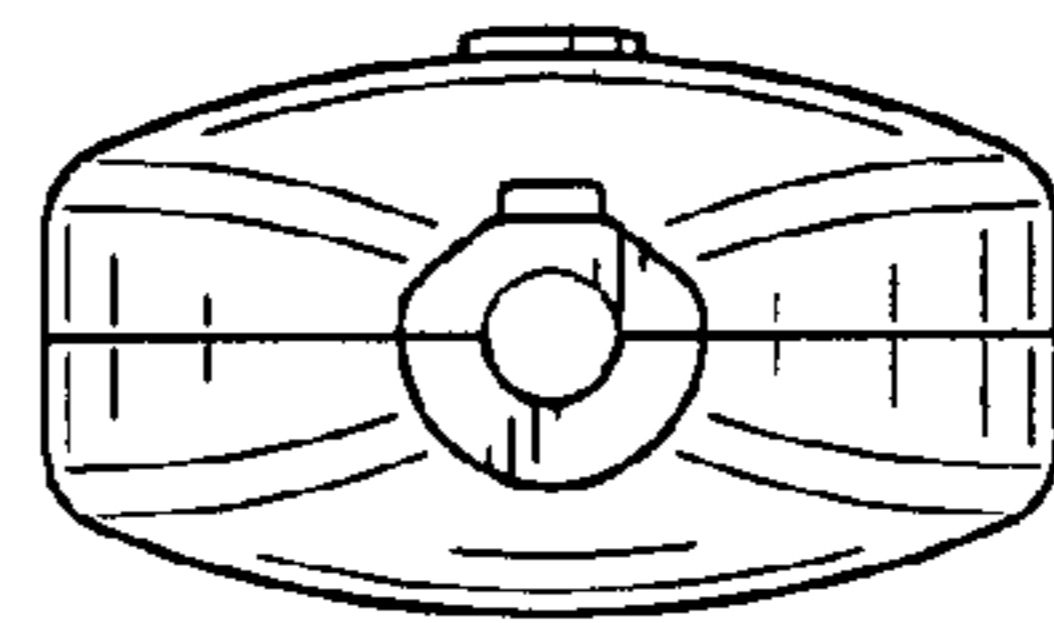


FIG. 5

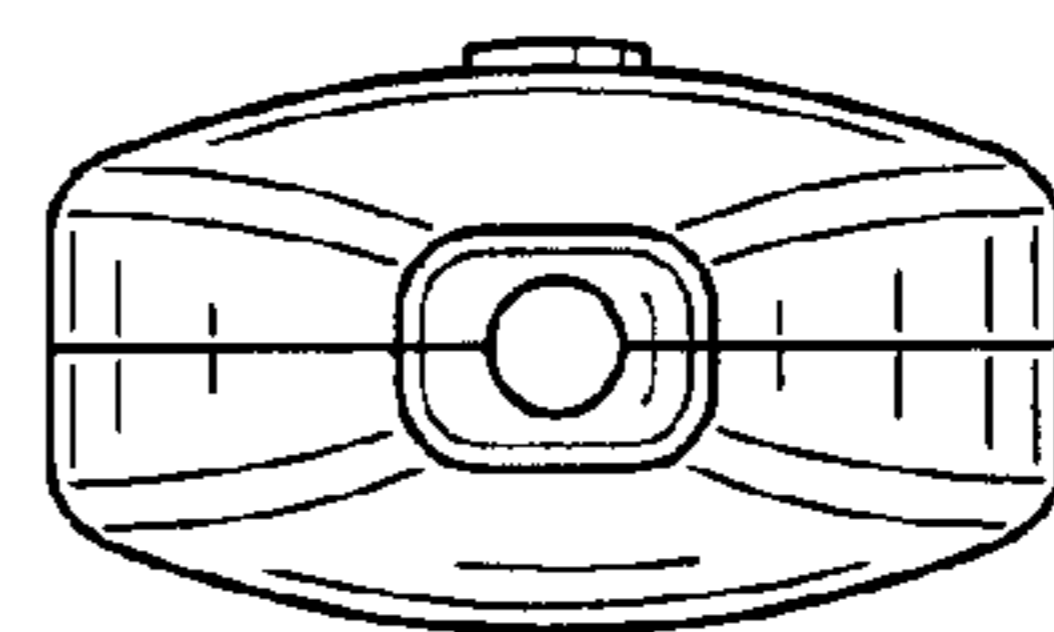


FIG. 6